



US00D867671S

(12) **United States Design Patent**  
**De Lataillade**

(10) **Patent No.:** **US D867,671 S**

(45) **Date of Patent:** **\*\* Nov. 19, 2019**

(54) **ATOMIZER**

(71) Applicant: **CLARINS FRAGRANCE GROUP,**  
Paris (FR)

(72) Inventor: **Christophe De Lataillade,** Paris (FR)

(73) Assignee: **Clarins Fragrance Group,** Paris (FR)

(\*\*) Term: **15 Years**

(21) Appl. No.: **29/647,495**

(22) Filed: **May 14, 2018**

(30) **Foreign Application Priority Data**

Mar. 6, 2018 (EM) ..... 004742625-0001

(51) **LOC (12) Cl.** ..... **28-03**

(52) **U.S. Cl.**  
USPC ..... **D28/91.1;** D9/663

(58) **Field of Classification Search**  
USPC ..... D28/44, 44.1, 45, 46, 59, 91, 91.1;  
D9/516, 519, 523, 549, 554, 441, 446,  
D9/661, 662, 663, 682, 690-693  
CPC ... A45D 1/00; A45D 1/03; A45D 2/48; A45D  
2/06; A45D 29/04; A45D 29/11; A45D  
29/18; A45D 34/00; A45D 34/005; A45D  
34/007; A45D 34/02; A45D 26/00; A45D  
26/0066; A44C 15/002

See application file for complete search history.

(56) **References Cited**

**U.S. PATENT DOCUMENTS**

D547,197 S \* 7/2007 Hermel ..... D9/519  
D588,927 S \* 3/2009 Antretter ..... D9/451  
D596,489 S \* 7/2009 Weiss ..... D9/519  
D606,875 S \* 12/2009 Vila ..... D9/544  
D632,576 S \* 2/2011 Hermel ..... D9/519

D663,619 S \* 7/2012 Pillet ..... D9/452  
D671,411 S \* 11/2012 Bourguignon ..... D9/519  
D689,369 S \* 9/2013 Dumas ..... D9/545  
D747,967 S \* 1/2016 Lozano Domenech ..... D9/500  
D756,228 S \* 5/2016 Premkumar ..... D9/523  
D757,920 S \* 5/2016 Lin ..... D23/366  
D763,700 S \* 8/2016 Rasgon ..... D9/519  
D779,334 S \* 2/2017 White ..... D9/556  
D809,391 S \* 2/2018 Funk ..... D9/500

**OTHER PUBLICATIONS**

Glass flower shaped perfume bottle rose shape perfume bottle, Etsy, "vintage from before 2000", retrieved on May 19, 2019, retrieved from the Internet URL: <https://www.etsy.com/dk-en/listing/636122935/glass-flower-shaped-perfume-bottle-rose>.\*

\* cited by examiner

*Primary Examiner* — Jennifer Rivard  
*Assistant Examiner* — Alison M Ofstun

(74) *Attorney, Agent, or Firm* — Avery N. Goldstein;  
Blue filament Law PLLC

(57) **CLAIM**

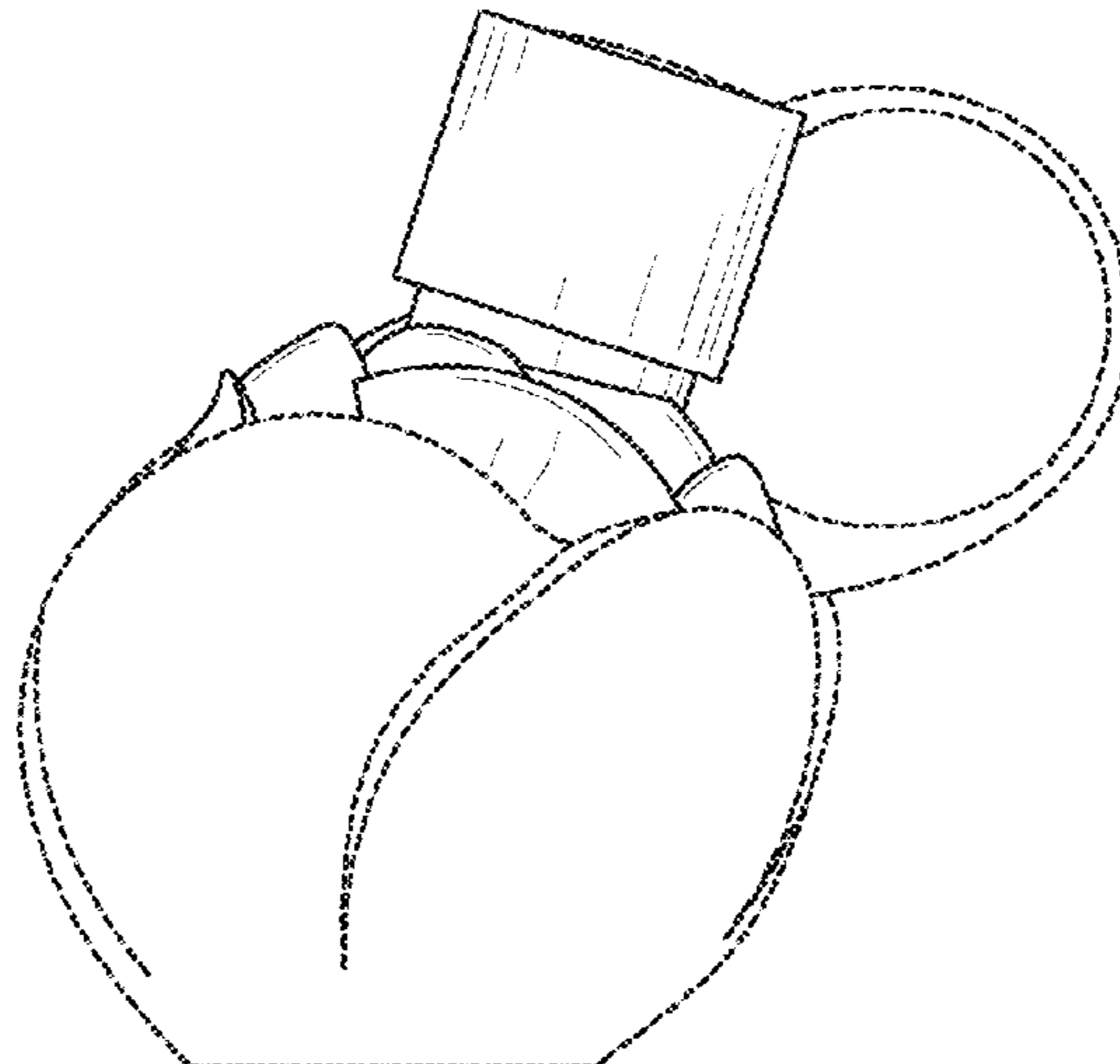
The ornamental design for an atomizer, as shown and described.

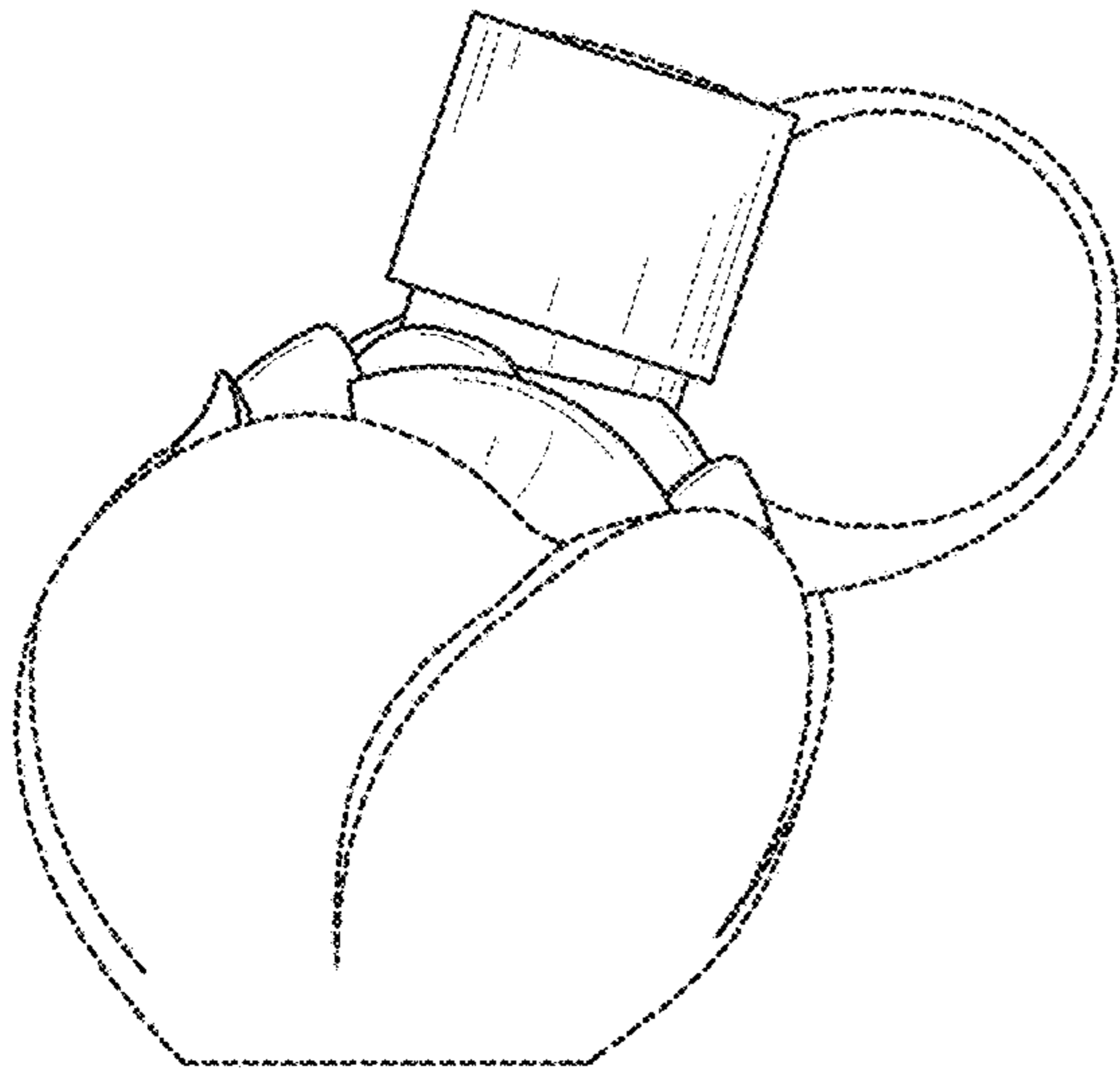
**DESCRIPTION**

FIG. 1 is a side view of an atomizer;  
FIG. 2 is a top view of the atomizer depicted in FIG. 1;  
FIG. 3 is a side view of the of the atomizer depicted in FIG. 1, shown with the bottom portion removed to show aspects of the design not visible when combined; and,  
FIG. 4 is an opposite side view of the of the atomizer depicted in FIG. 3.

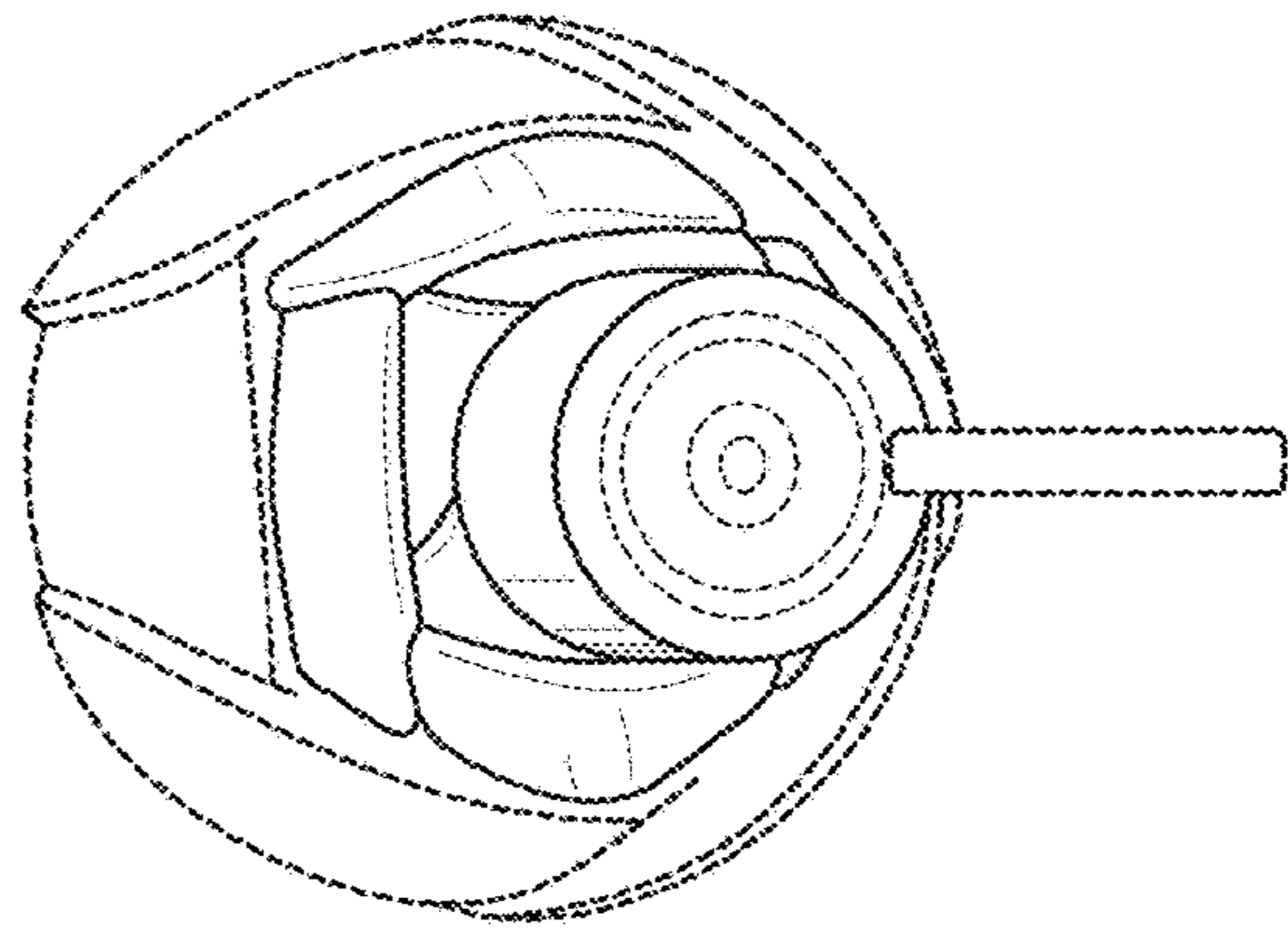
The broken lines in the figures represent portions of the article which form no part of the claimed design.

**1 Claim, 1 Drawing Sheet**

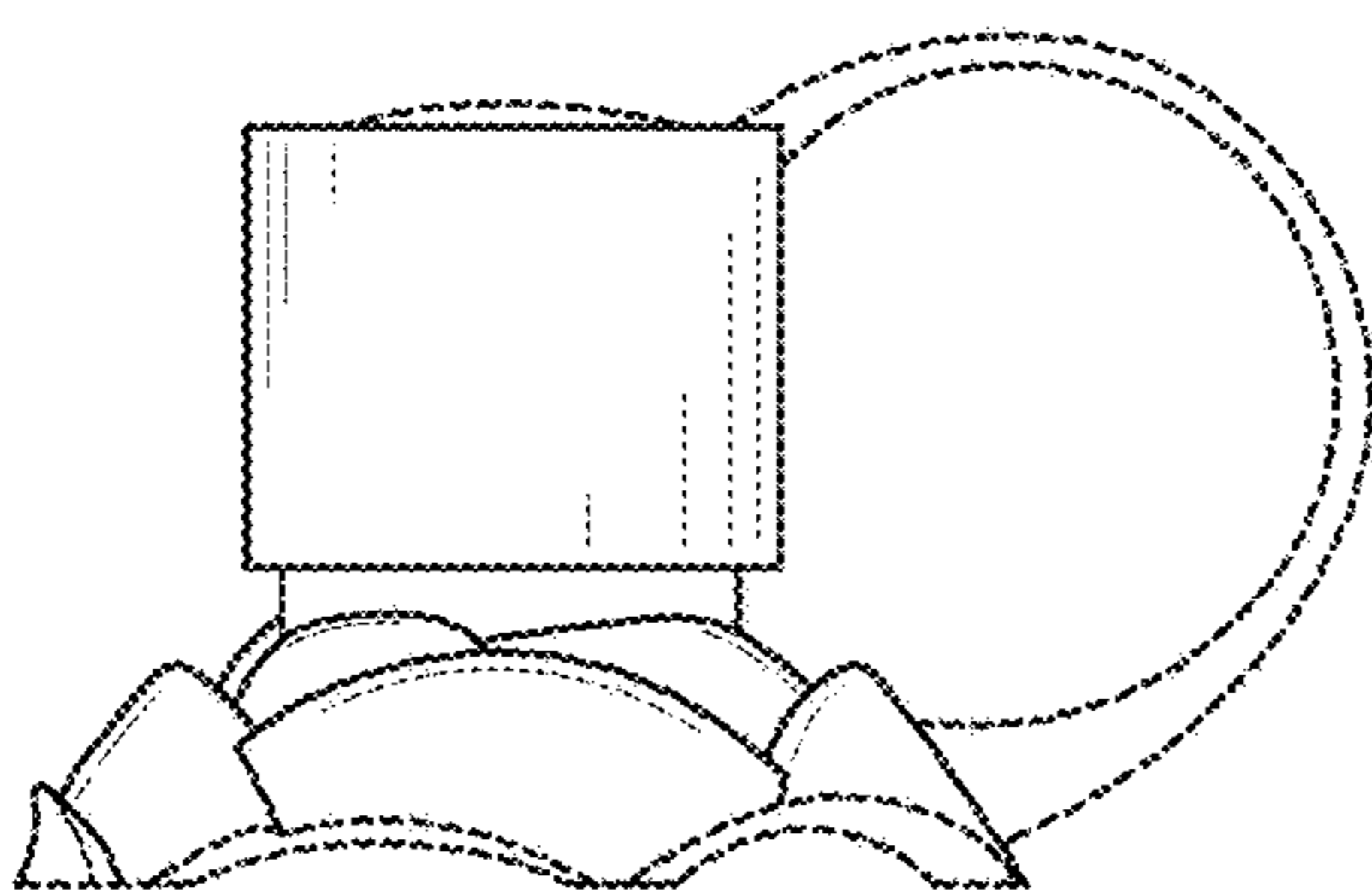




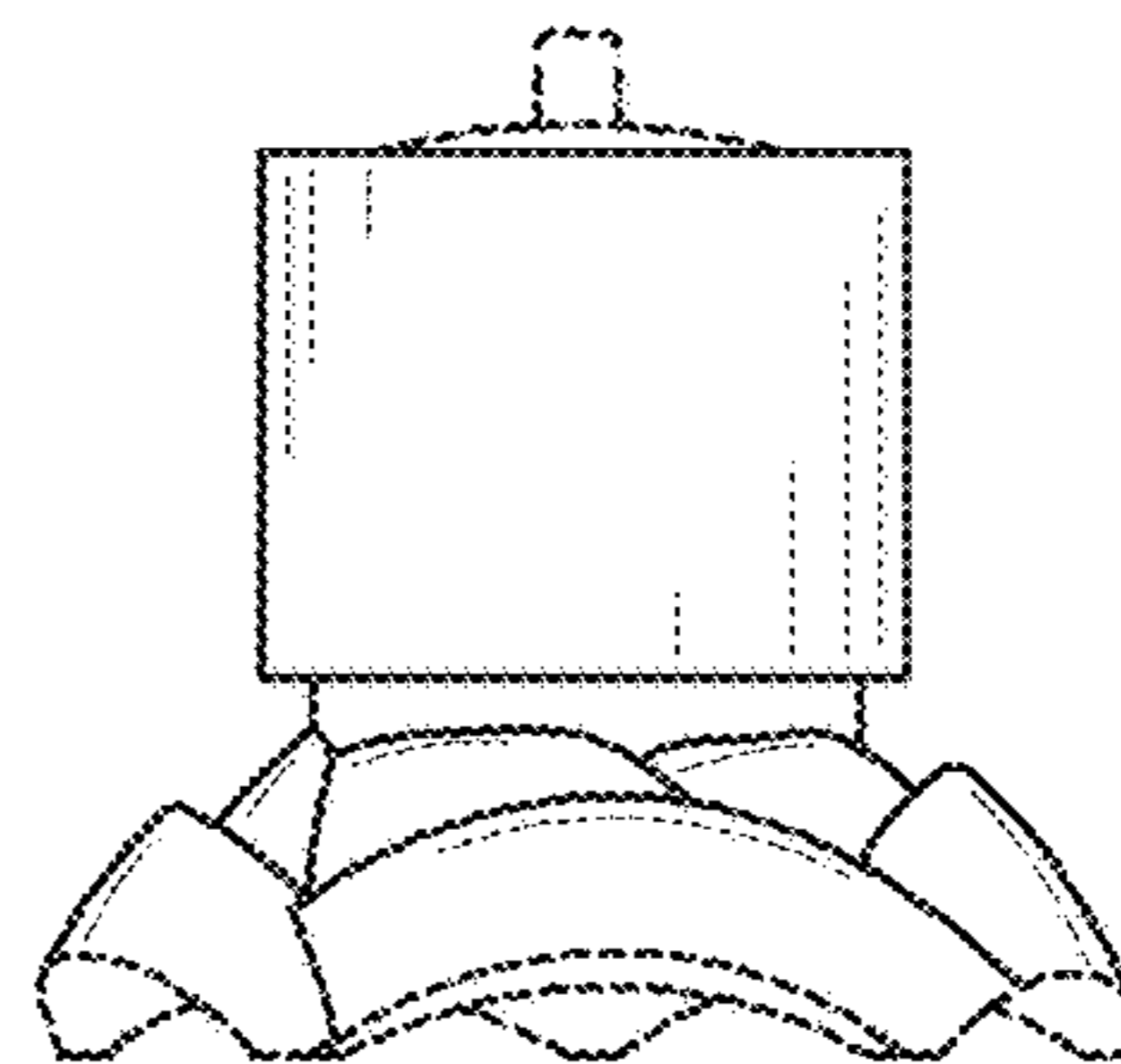
**FIG. 1**



**FIG. 2**



**FIG. 3**



**FIG. 4**