

US00D867669S

(12) **United States Design Patent** (10) **Patent No.:** **US D867,669 S**
Romo et al. (45) **Date of Patent:** **** Nov. 19, 2019**

(54) **HAIR APPLIANCE RACK**
(71) Applicants: **Debra Romo**, La Pine, OR (US);
Randy Romo, La Pine, OR (US)
(72) Inventors: **Debra Romo**, La Pine, OR (US);
Randy Romo, La Pine, OR (US)
(**) Term: **15 Years**
(21) Appl. No.: **29/656,020**
(22) Filed: **Jul. 10, 2018**
(51) **LOC (12) Cl.** **28-03**
(52) **U.S. Cl.**
USPC **D28/73; D28/38**
(58) **Field of Classification Search**
USPC D28/9, 13, 18-19, 35, 73, 76-84, 99, 38;
D9/414, 424, 426, 428, 430; D7/586,
D7/587, 600.1-600.4, 647, 667, 704,
D7/550.1, 601, 602, 701, 703; D6/512,
D6/513, 518, 524; D3/304, 318, 319;
D24/227, 228, 229, 230; D8/349, 354,
D8/373, 380; D19/75
CPC .. A47B 81/00; A47G 29/08; A45D 2033/001;
A45D 33/003; A45D 33/006-008; A45D
33/22; A45D 33/24; A45D 33/26; A45D
33/28; A45D 34/00; A45D 34/06
See application file for complete search history.

5,484,066 A 1/1996 Luisi
5,743,415 A 4/1998 Smart
D406,715 S * 3/1999 Badillo D6/524
D469,926 S * 2/2003 Petruccelli D28/73
6,820,755 B1 11/2004 Ranjit
D552,796 S * 10/2007 Petruccelli D28/18
D584,857 S 1/2009 Kirschenmann
D608,054 S * 1/2010 Radfar D28/73
D702,887 S * 4/2014 Petruccelli D28/38
D703,381 S * 4/2014 Petruccelli D28/38
D703,382 S * 4/2014 Petruccelli D28/38
9,033,161 B2 * 5/2015 Larson A47G 29/08
211/71.01
D768,933 S * 10/2016 Green D28/38
(Continued)

FOREIGN PATENT DOCUMENTS

WO 03099059 A 12/2003
Primary Examiner — Jennifer Rivard
Assistant Examiner — Alison M Ofstun

(57) **CLAIM**

The ornamental design for a hair appliance rack, as shown and described.

DESCRIPTION

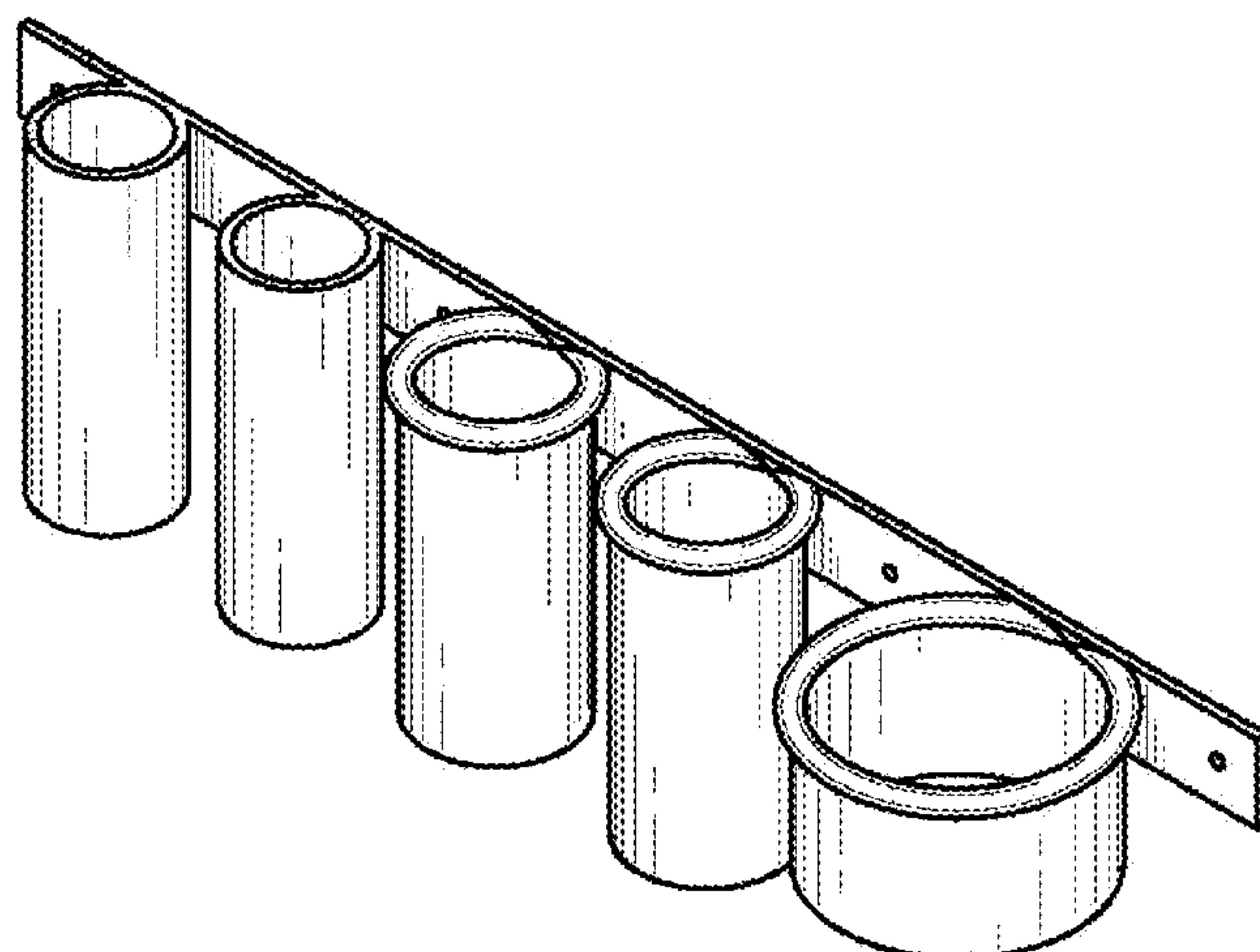
FIG. 1 is a front view of the hair appliance rack.
FIG. 2 is a rear view thereof.
FIG. 3 is a left side view thereof.
FIG. 4 is a right side view thereof.
FIG. 5 is a top view thereof.
FIG. 6 is a bottom view thereof.
FIG. 7 is a perspective view thereof; and,
FIG. 8 is a perspective view thereof, shown in an environment of use with exemplary hair appliances.
The broken lines shown in FIG. 8 illustrate environmental subject matter of exemplary hair appliances and form no part of the claimed design.

1 Claim, 3 Drawing Sheets

(56) **References Cited**

U.S. PATENT DOCUMENTS

D215,388 S * 9/1969 Kierun D28/99
3,986,695 A * 10/1976 Hronas A47F 7/285
248/222.51
D256,637 S 9/1980 Chiklis
D285,398 S 9/1986 Winters
4,746,090 A 5/1988 Hamilton
4,871,074 A 10/1989 Bryson
5,031,778 A * 7/1991 Edgecombe A47F 7/00
211/26
D354,874 S 1/1995 Burch



(56)

References Cited

U.S. PATENT DOCUMENTS

9,681,781 B2 *	6/2017	Hurley	A47F 5/0876
D850,727 S *	6/2019	Petrucelli	D28/73
2003/0168377 A1 *	9/2003	Gorvett	A45D 40/24 206/581
2004/0055978 A1	3/2004	Barnhart	
2013/0015149 A1 *	1/2013	Alexander	A45D 1/00 211/60.1

* cited by examiner

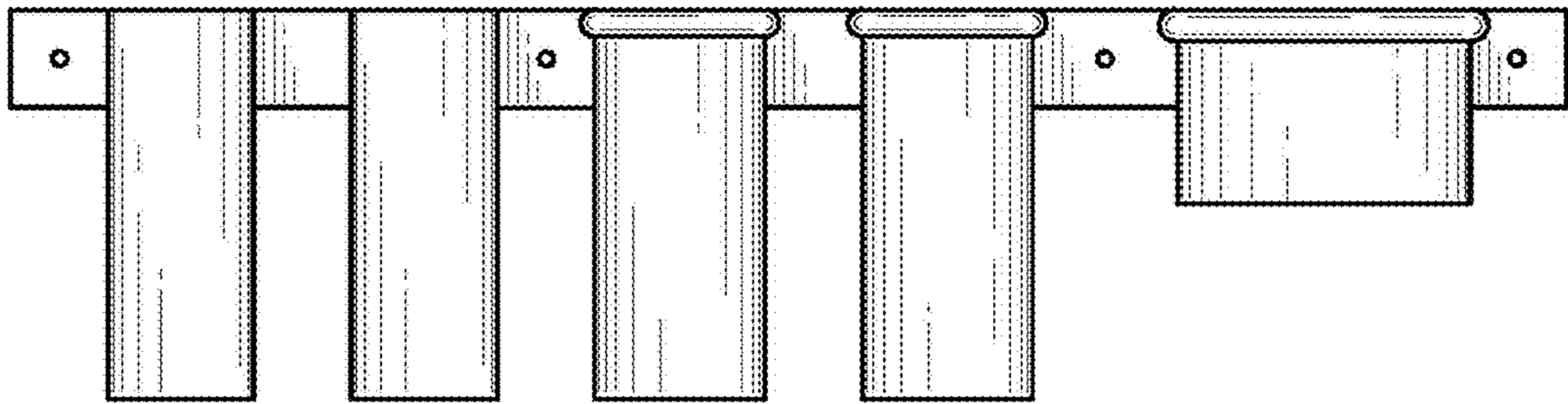


FIG. 1

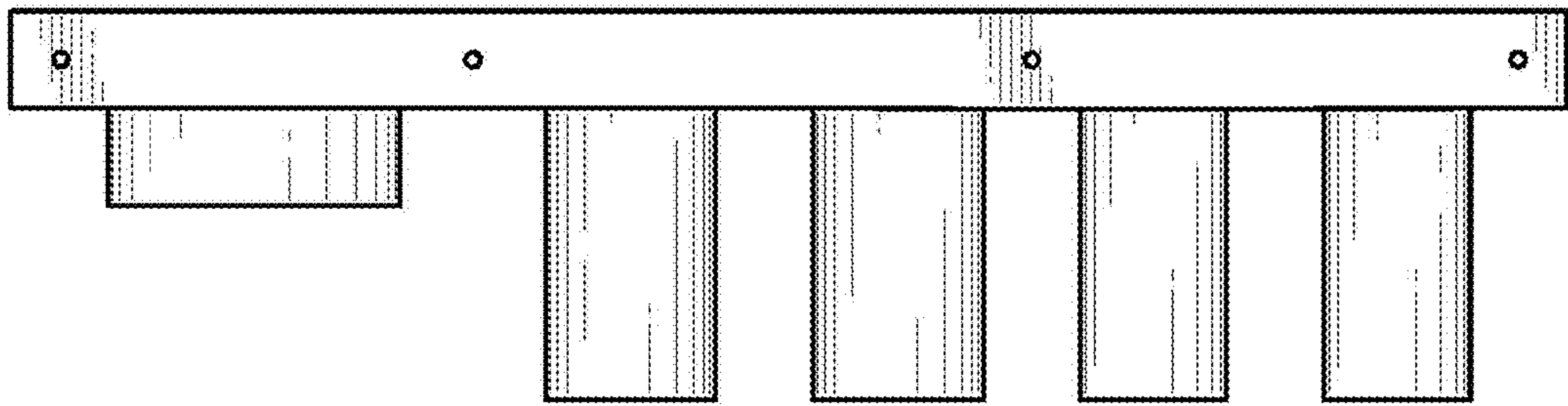


FIG. 2

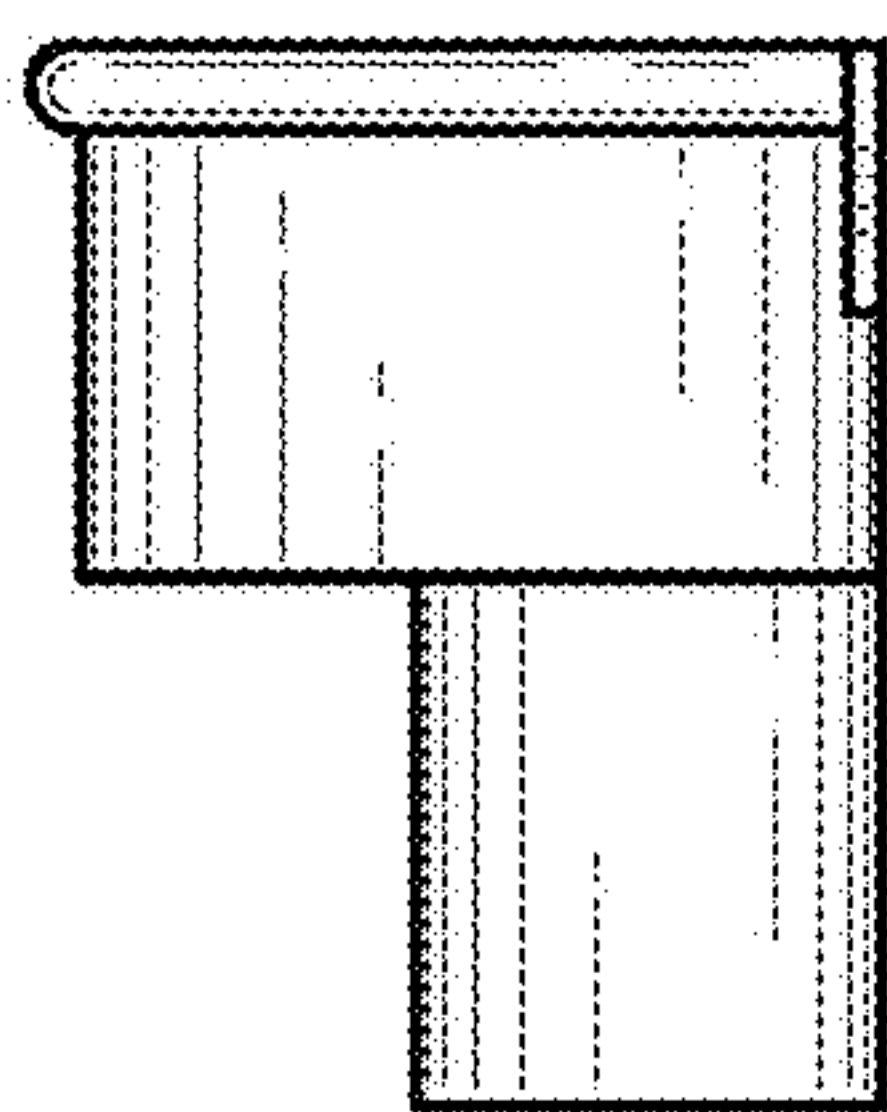


FIG. 3

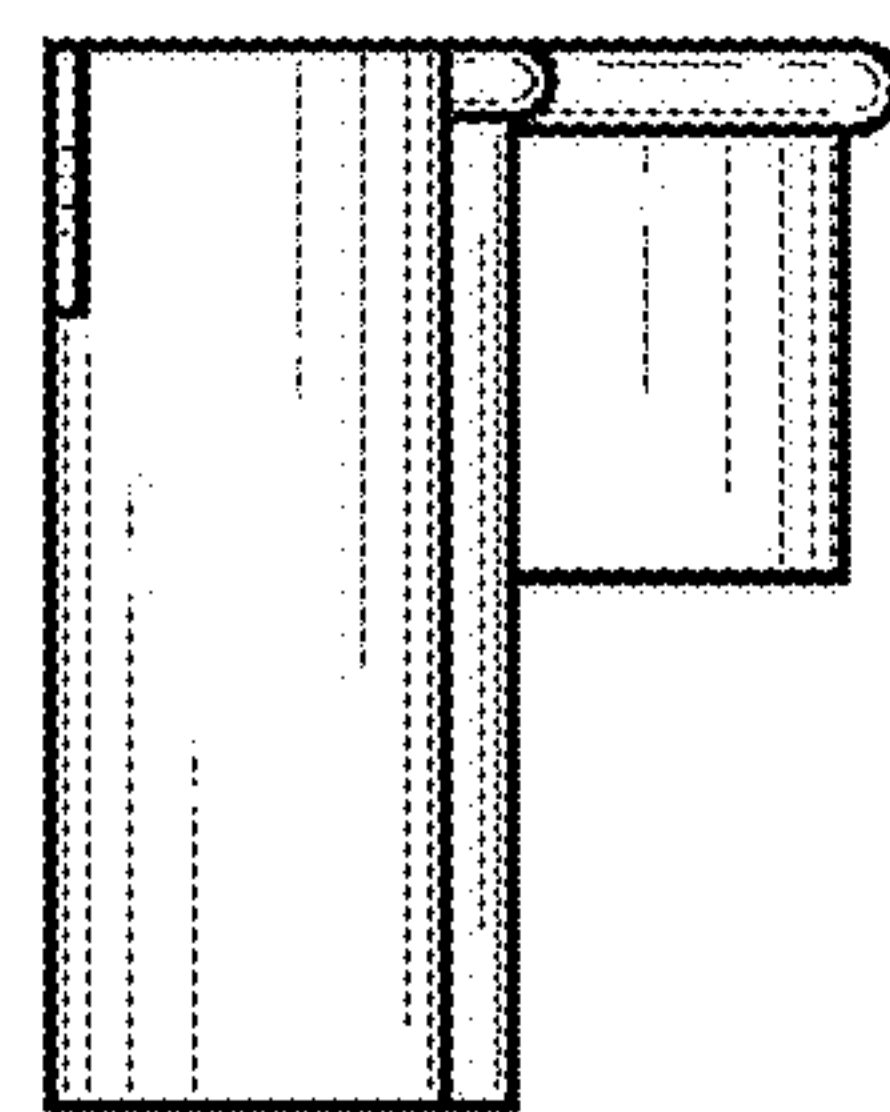


FIG. 4

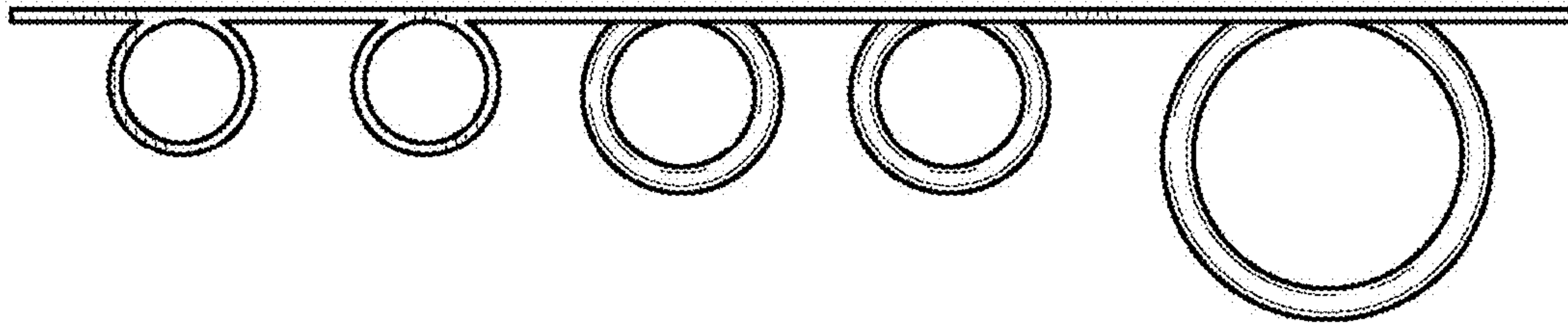


FIG. 5

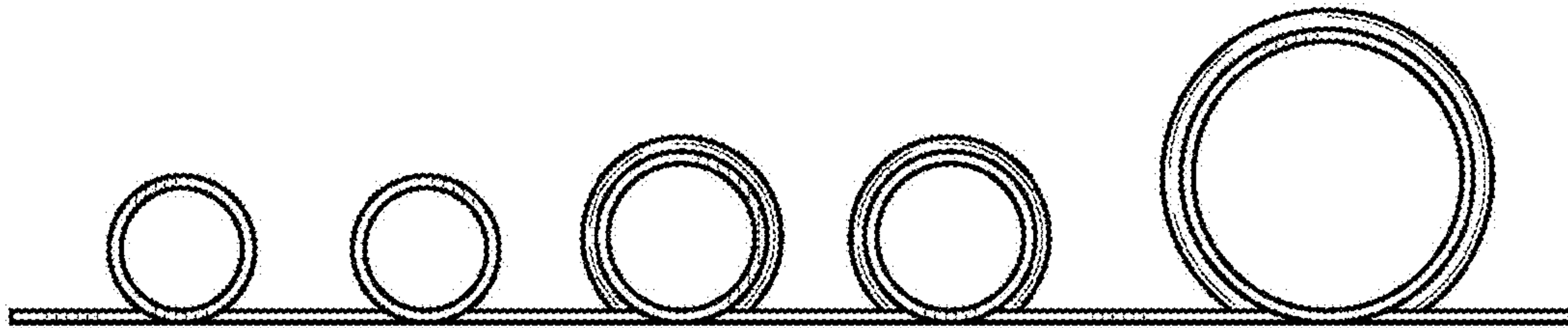


FIG. 6

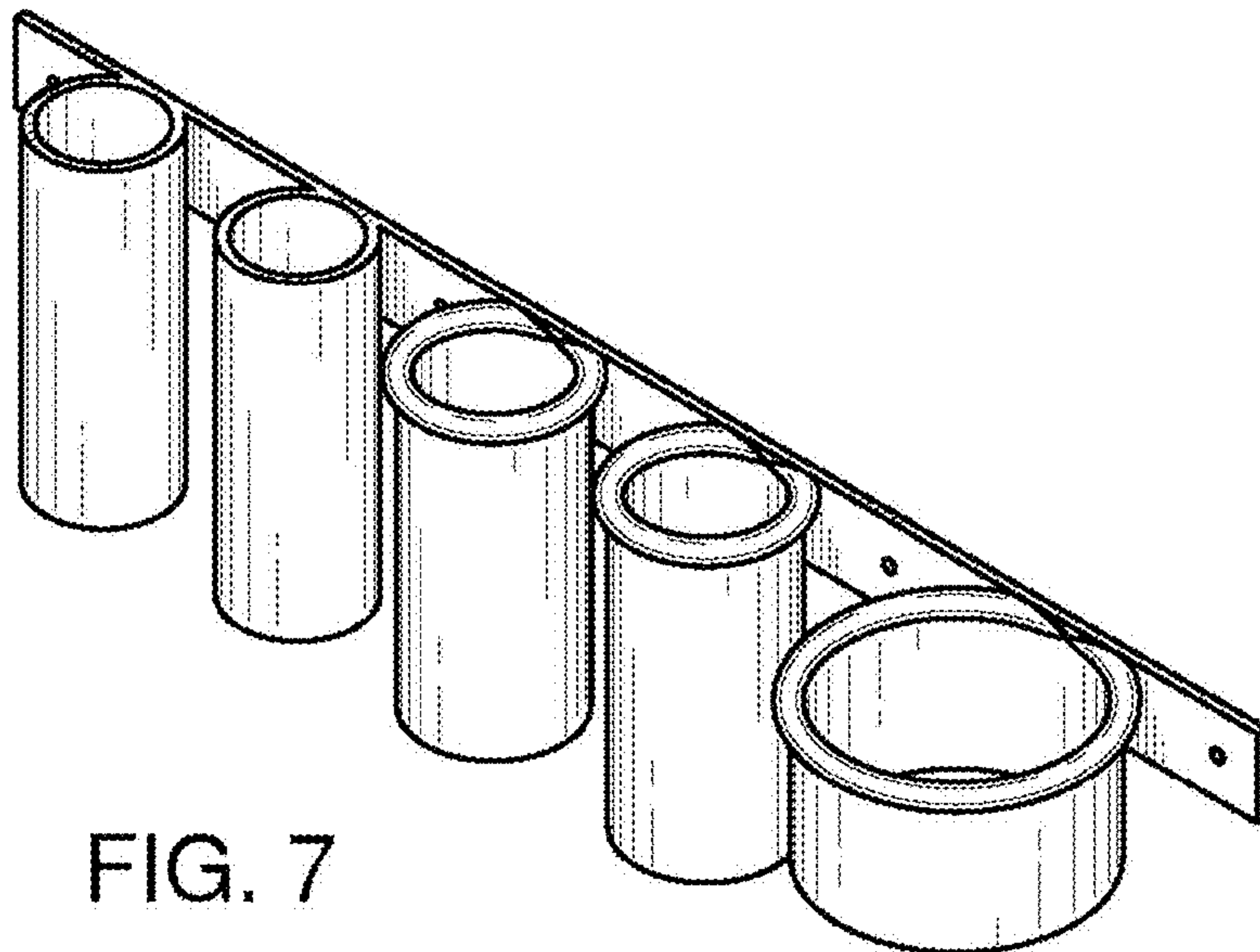


FIG. 7

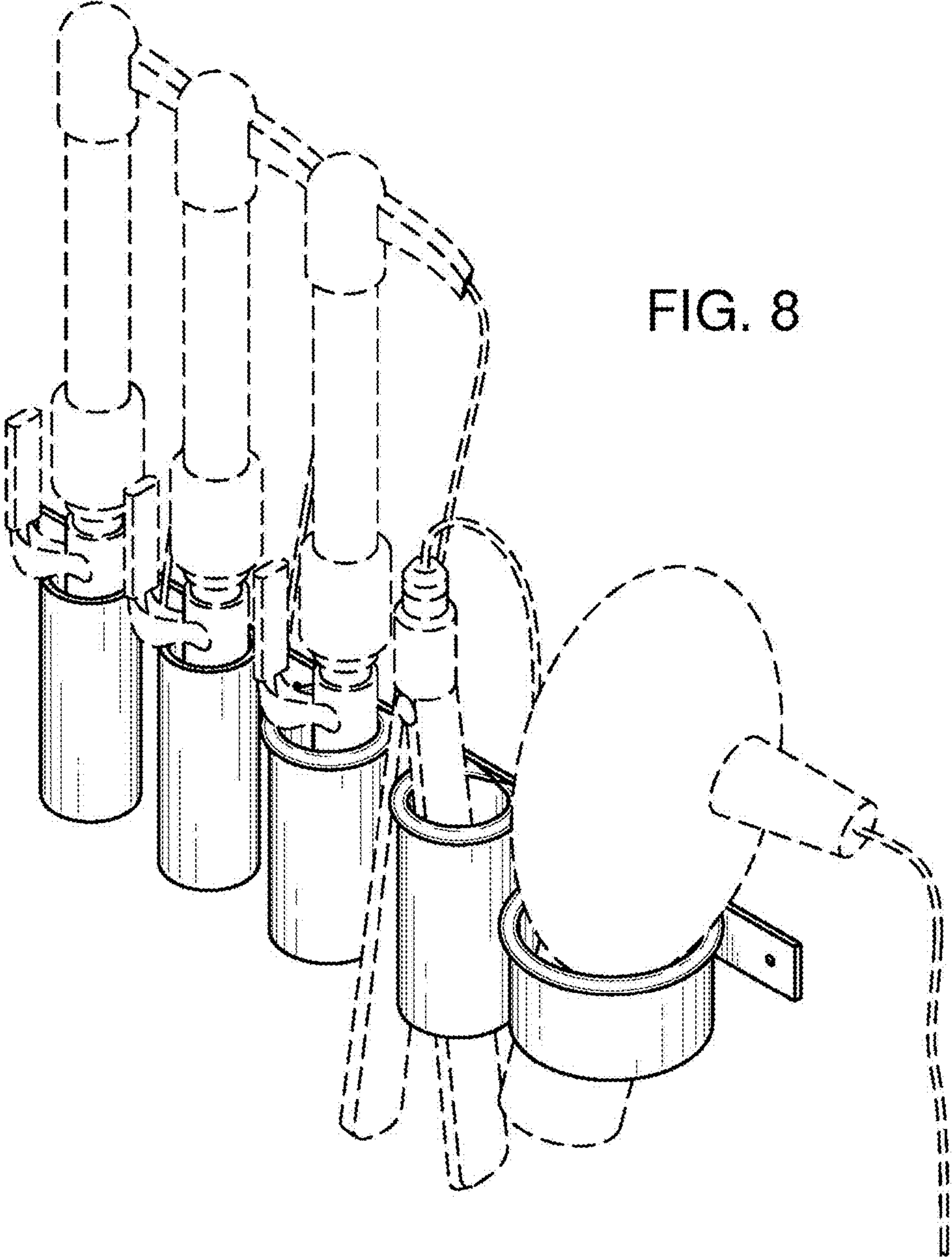


FIG. 8