



US00D867668S

(12) **United States Design Patent**
Lotti

(10) **Patent No.:** **US D867,668 S**
(45) **Date of Patent:** **** Nov. 19, 2019**

(54) **CASE FOR ARTIFICIAL LASH EXTENSIONS**

(71) Applicant: **LASHIFY, INC.**, Sherman Oaks, CA (US)

(72) Inventor: **Sahara Lotti**, Los Angeles, CA (US)

(73) Assignee: **Lashify, Inc.**, Los Angeles, CA (US)

(**) Term: **15 Years**

(21) Appl. No.: **29/586,561**

(22) Filed: **Dec. 5, 2016**

(51) **LOC (12) Cl.** **28-03**

(52) **U.S. Cl.**
USPC **D28/73**

(58) **Field of Classification Search**
USPC D28/73, 91; D32/40, 43; D9/418, 430,
D9/435-436, 724-725; 206/769-770,
206/776-778, 781
CPC A47G 29/08; A45D 44/00; A45D 33/26;
A45D 33/28
See application file for complete search history.

(56) **References Cited**

U.S. PATENT DOCUMENTS

2,618,279	A *	11/1952	Reiffert	A45D 40/02 401/98
3,557,653	A	1/1971	Kim		
D328,246	S *	7/1992	Nottingham	D9/428
5,571,543	A *	11/1996	Song	A23G 4/00 426/5
D379,923	S *	6/1997	De Baschmakoff	D9/520
D404,531	S *	1/1999	Bakic	D28/76
D418,253	S *	12/1999	Bakic	D28/7
D443,471	S *	6/2001	Lillelund	D7/398
6,265,010	B1 *	7/2001	Franco	A47G 19/02 426/132
D448,927	S	10/2001	Vazquez		
D458,413	S *	6/2002	Boilen	D28/73
D463,280	S *	9/2002	Brozell	D9/449
D473,106	S	4/2003	Scherer		

(Continued)

FOREIGN PATENT DOCUMENTS

CN	303086463	1/2015
KR	20090010717 U	10/2009
WO	WO2018/022914	1/2018

OTHER PUBLICATIONS

Gossamer Lash Cartridge, Lashify, published at lashify.com, date and author not listed © 2018 Lashify, online, site visited Jun. 15, 2018. Available from Internet, URL: <https://lashify.com/collections/shop-1/products/gossamer-eye-lozenge-c-style?variant=783670738950> (Year: 2018).*

(Continued)

Primary Examiner — Shannon W Morgan

Assistant Examiner — Altaira J Swangin

(74) *Attorney, Agent, or Firm* — Dentons US LLP

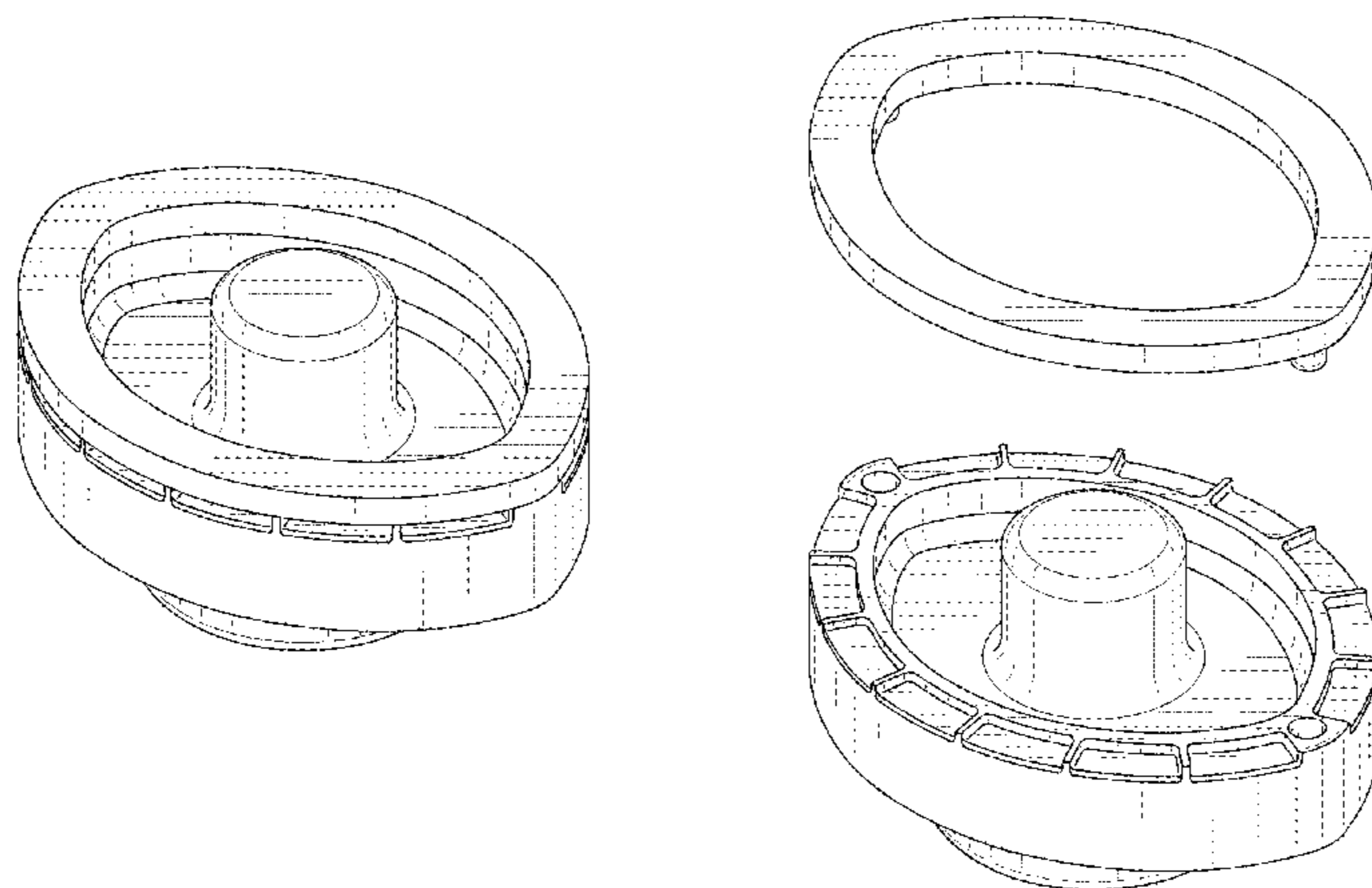
(57) **CLAIM**

The ornamental design for a case for artificial lash extensions, as shown and described.

DESCRIPTION

FIG. 1 is a front left perspective view of a case for artificial lash extensions in accordance with the present invention. FIG. 2 is a front view thereof. FIG. 3 is a rear view thereof. FIG. 4 is a left side view thereof. FIG. 5 is a right side view thereof. FIG. 6 is a top view thereof. FIG. 7 is a bottom view thereof; and, FIG. 8 is an exploded front left perspective view of the case for artificial lash extensions shown in FIG. 1. The broken lines shown in the figures depict portions of the case for artificial lash extensions which form no part of the claimed design.

1 Claim, 5 Drawing Sheets



(56)

References Cited

U.S. PATENT DOCUMENTS

D475,616 S * 6/2003 Lambrecht D9/727
 D481,952 S * 11/2003 Orsomando D9/529
 D482,928 S * 12/2003 Liu D7/392.1
 D483,232 S * 12/2003 Liu D7/614
 6,981,814 B2 * 1/2006 Geardino A45D 40/00
 401/205
 D522,376 S * 6/2006 Hales D7/613
 D532,891 S * 11/2006 Buthier D23/366
 D534,426 S * 1/2007 Bakic D9/435
 D545,396 S * 6/2007 Casey D23/209
 D561,045 S * 2/2008 Lee D9/573
 D591,599 S * 5/2009 Okin D9/521
 D595,054 S * 6/2009 Whitaker
 D602,354 S * 10/2009 Dibnah D9/435
 D605,514 S * 12/2009 Weber D9/449
 D607,332 S * 1/2010 Huntington D9/516
 D657,696 S * 4/2012 Floyd D9/729
 D661,599 S * 6/2012 Floyd D9/729
 D664,011 S * 7/2012 Affonso D7/665
 D673,325 S * 12/2012 Martines D28/4
 D698,078 S * 1/2014 Purizhansky et al.
 D700,799 S * 3/2014 Ludeman et al.
 D713,217 S * 9/2014 Micara-Sartori D7/675
 D738,579 S * 9/2015 Owens D30/132
 9,215,901 B1 12/2015 Schroeder
 9,314,085 B2 4/2016 Hatch
 D755,577 S * 5/2016 Segal D7/629
 D764,688 S * 8/2016 Robinson D26/9
 D783,899 S * 4/2017 Roh
 D796,582 S * 9/2017 Beard D21/386
 D800,966 S * 10/2017 Silva
 D805,135 S * 12/2017 Beard D21/386
 9,993,373 B2 * 6/2018 Nassif B65F 1/00
 D823,683 S * 7/2018 Caldwell D9/435
 D825,333 S * 8/2018 Ozamiz D9/449
 D829,381 S * 9/2018 Kim
 D830,170 S * 10/2018 Holmes
 D832,701 S * 11/2018 Oates D9/447
 D832,702 S * 11/2018 Oates D9/447

D836,432 S * 12/2018 Riedel D9/443
 D837,653 S * 1/2019 Meranus D9/521
 D847,631 S * 5/2019 Villbrandt D9/447
 D847,632 S * 5/2019 Villbrandt D9/447
 D848,795 S * 5/2019 Butler D7/553.6
 2007/0050207 A1 3/2007 Merszei
 2009/0028625 A1 * 1/2009 Bonneyrat A45D 40/02
 401/55
 2009/0217939 A1 9/2009 Rabe et al.
 2010/0170526 A1 7/2010 Nguyen
 2013/0320025 A1 * 12/2013 Mazzetta A47G 23/0683
 220/574
 2015/0136162 A1 5/2015 Brouillet et al.
 2015/0173442 A1 6/2015 Raouf
 2015/0216246 A1 8/2015 Ahn et al.
 2017/0112264 A1 4/2017 Park
 2018/0065779 A1 3/2018 Chiba
 2018/0160755 A1 6/2018 Hansen et al.

OTHER PUBLICATIONS

Cruiser Portable Speaker, NYNE, published at thegamerwithkids.com, posted by Sam Versionone on Apr. 6, 2015 © not listed, online, site visited Jun. 20, 2018. Available from Internet, URL: <https://thegamerwithkids.com/2015/04/06/nyne-cruiser-review-a-wireless-speaker-for-your-bicycle/> (Year: 2015).*

Born Pretty, False Eyelashes Thick Natural Simulation Recyclable Curly False Eyelash Makeup Cosmetic Tools , <http://www.bornprettystore.com/false-eyelashes-thick-natural-simulation-recyclable-curly-false-eyelash-makeup-cosmetic-tools-p-44675.html> downloaded from internet Oct. 18, 2018 (6 pages).

International Search Report and Written Opinion dated Mar. 12, 2018 in related PCT/2017/067513 filed Dec. 20, 2017 (10 pages).

International Search Report and Written Opinion dated Nov. 27, 2017 in related PCT/US2017/044217 filed Jul. 27, 2017 (10 pages).

MAC Cosmetics, 34 Lash, <http://www.bornprettystore.com/false-eyelashes-thick-natural-simulation-recyclable-curly-false-eyelash-makeup-cosmetic-tools-p-44675.html>, downloaded from internet Feb. 14, 2019 (1 page).

* cited by examiner

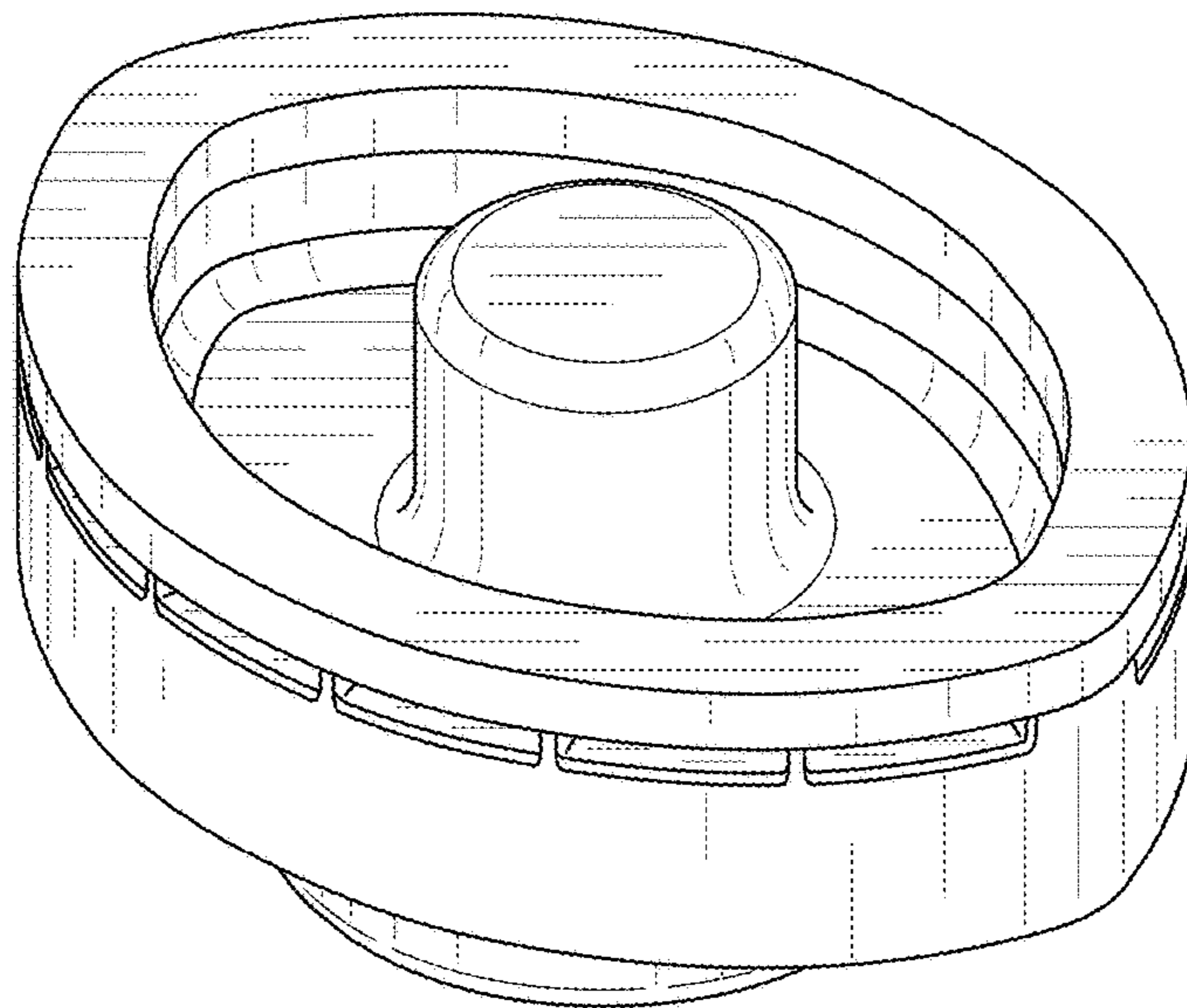


FIG. 1

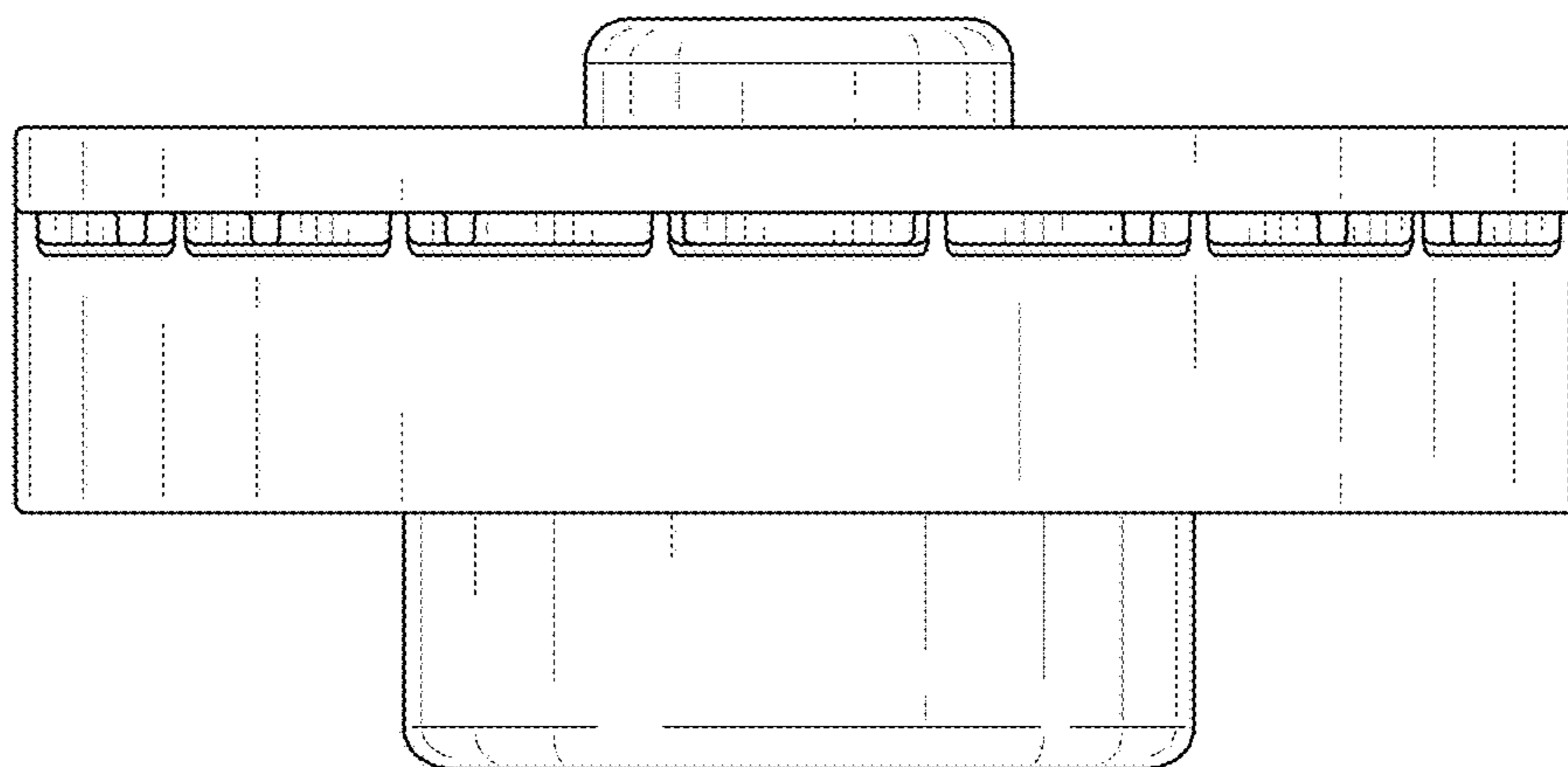


FIG. 2

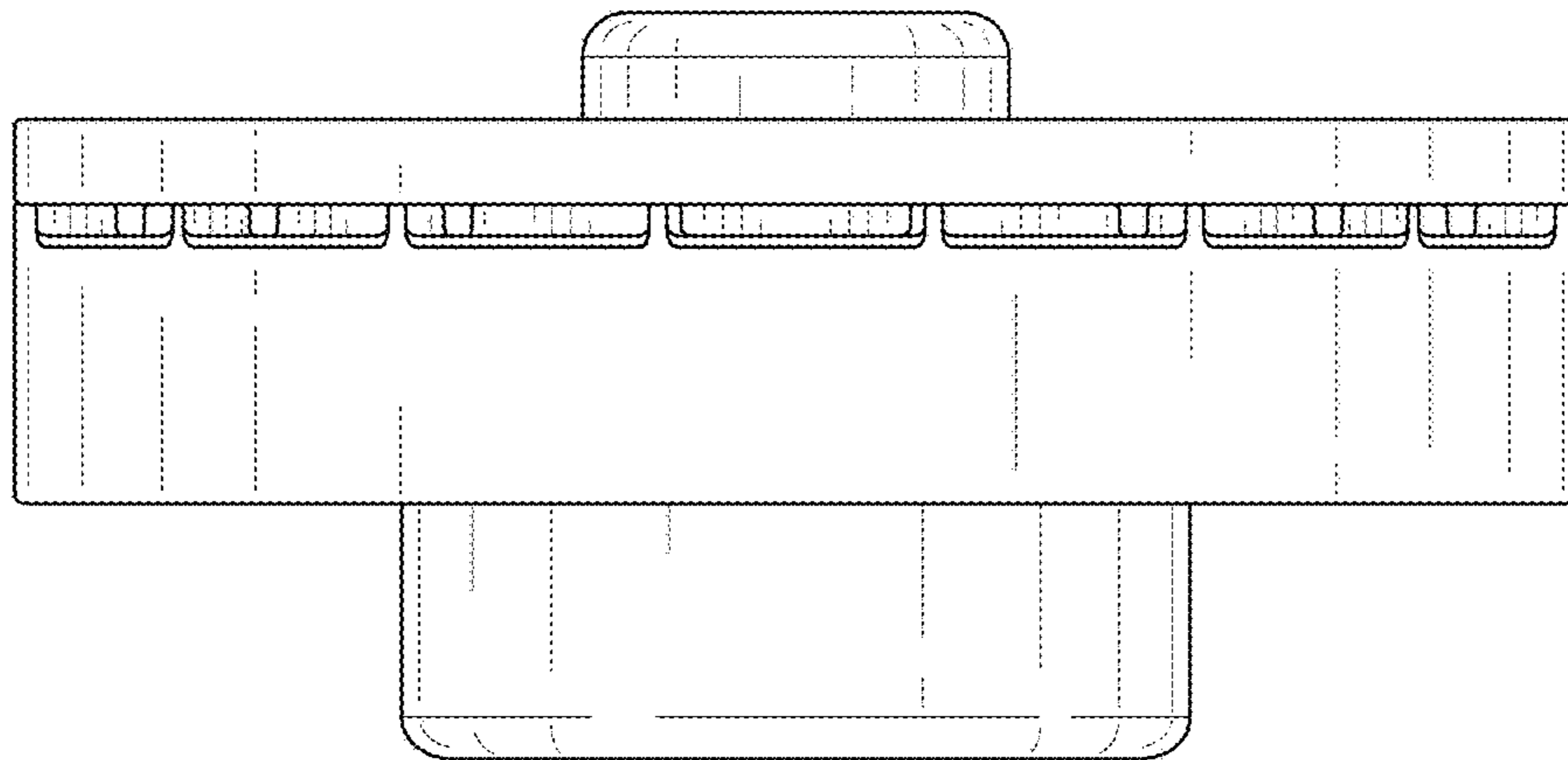


FIG. 3

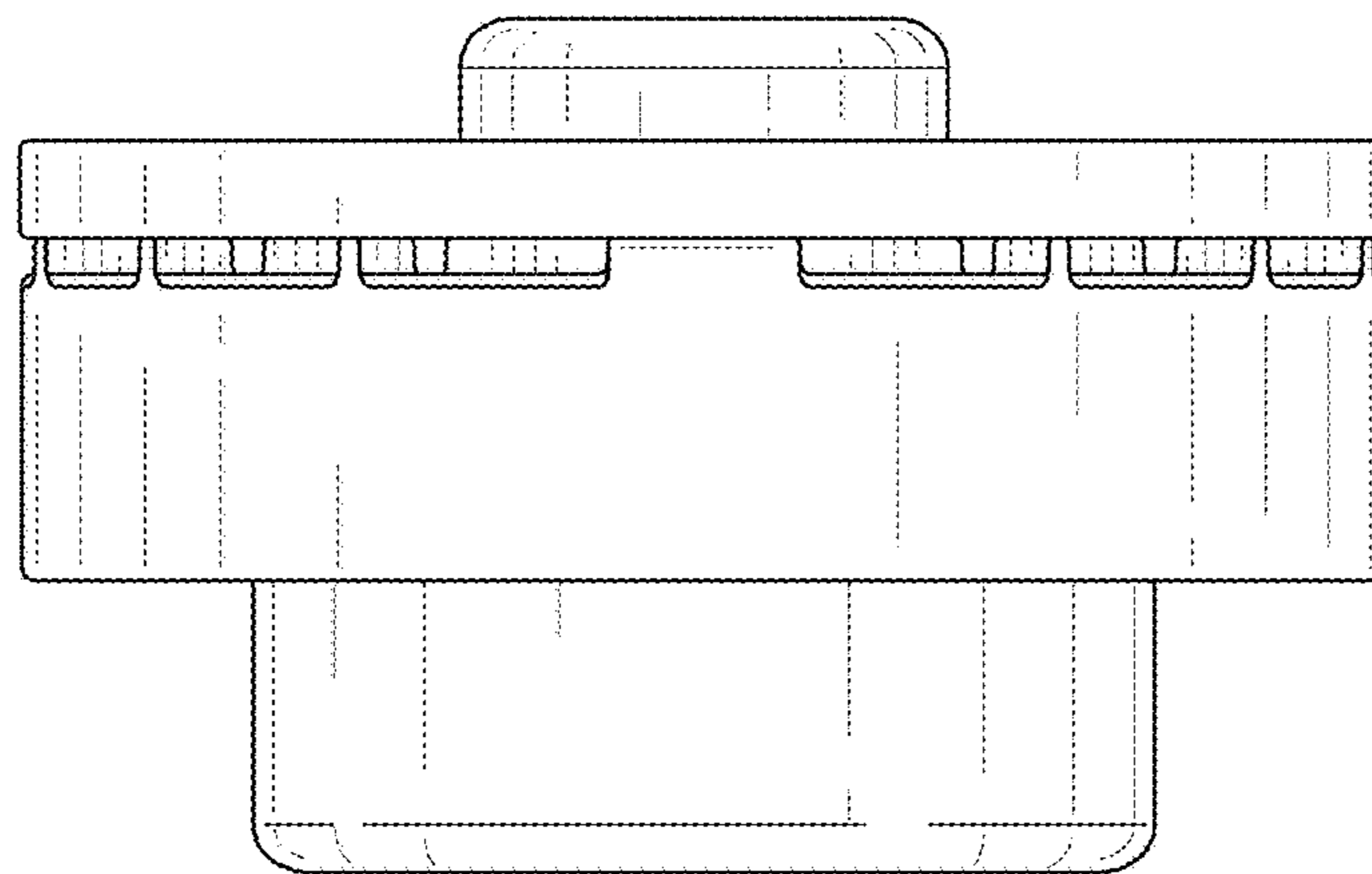


FIG. 4

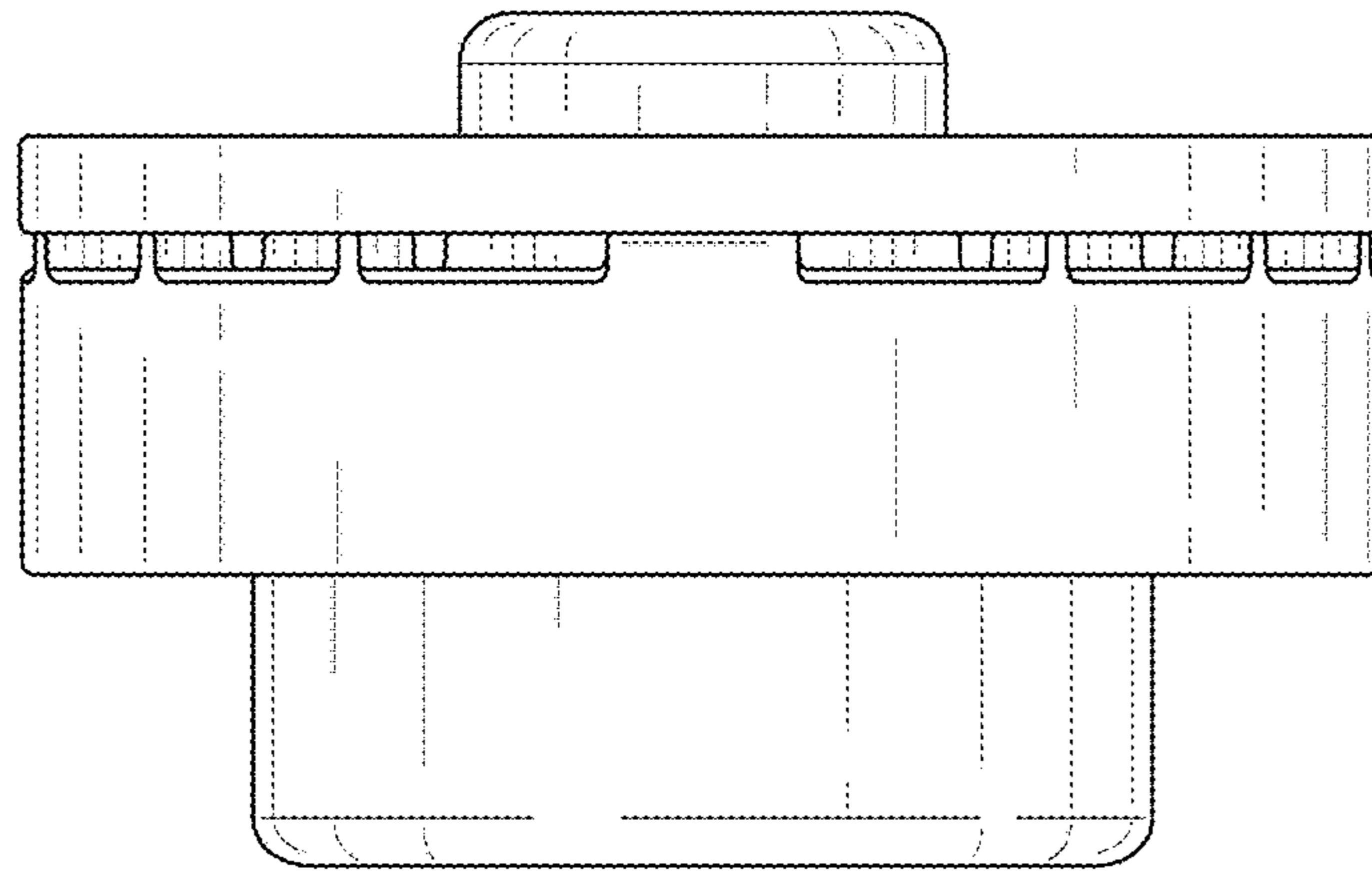


FIG. 5

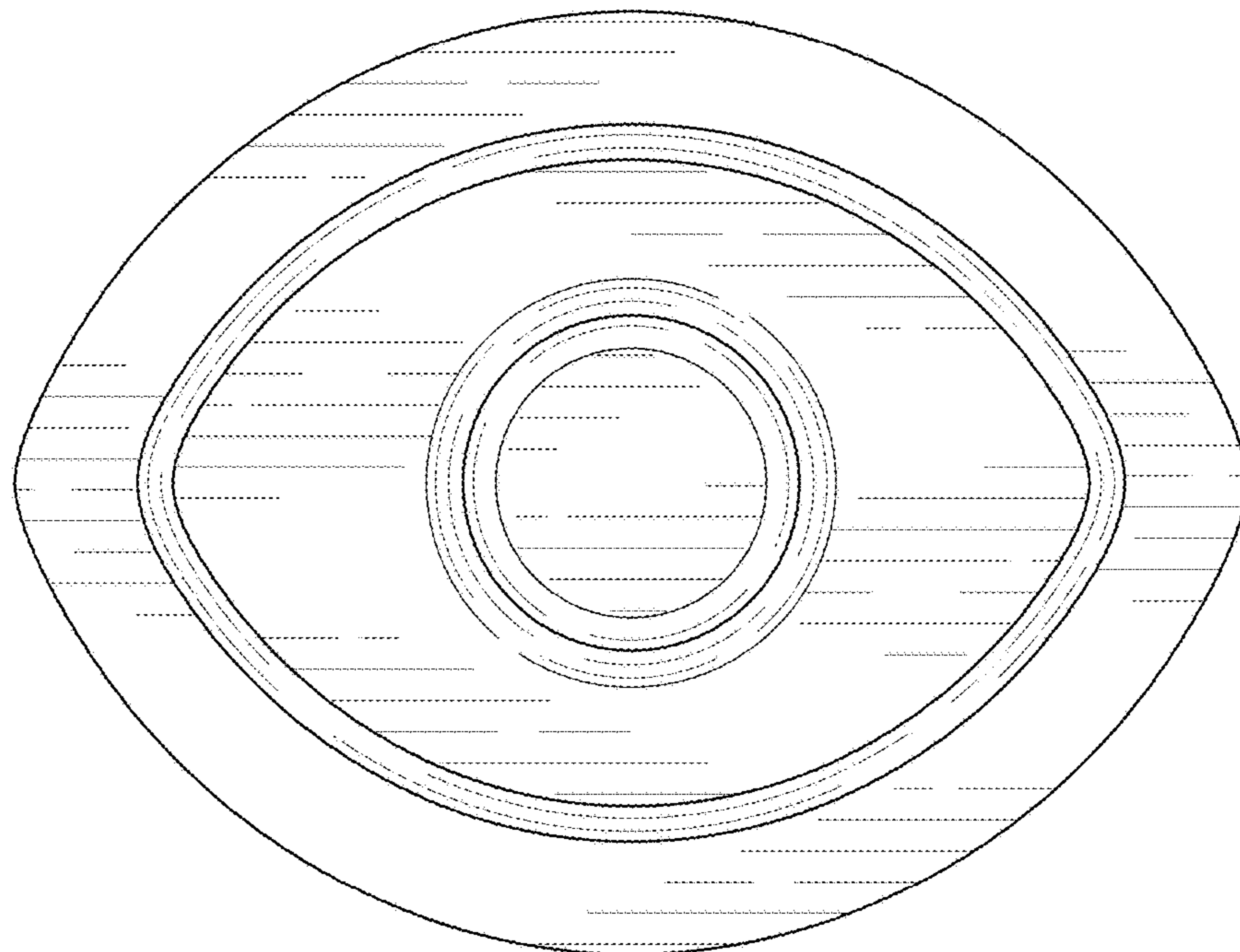


FIG. 6

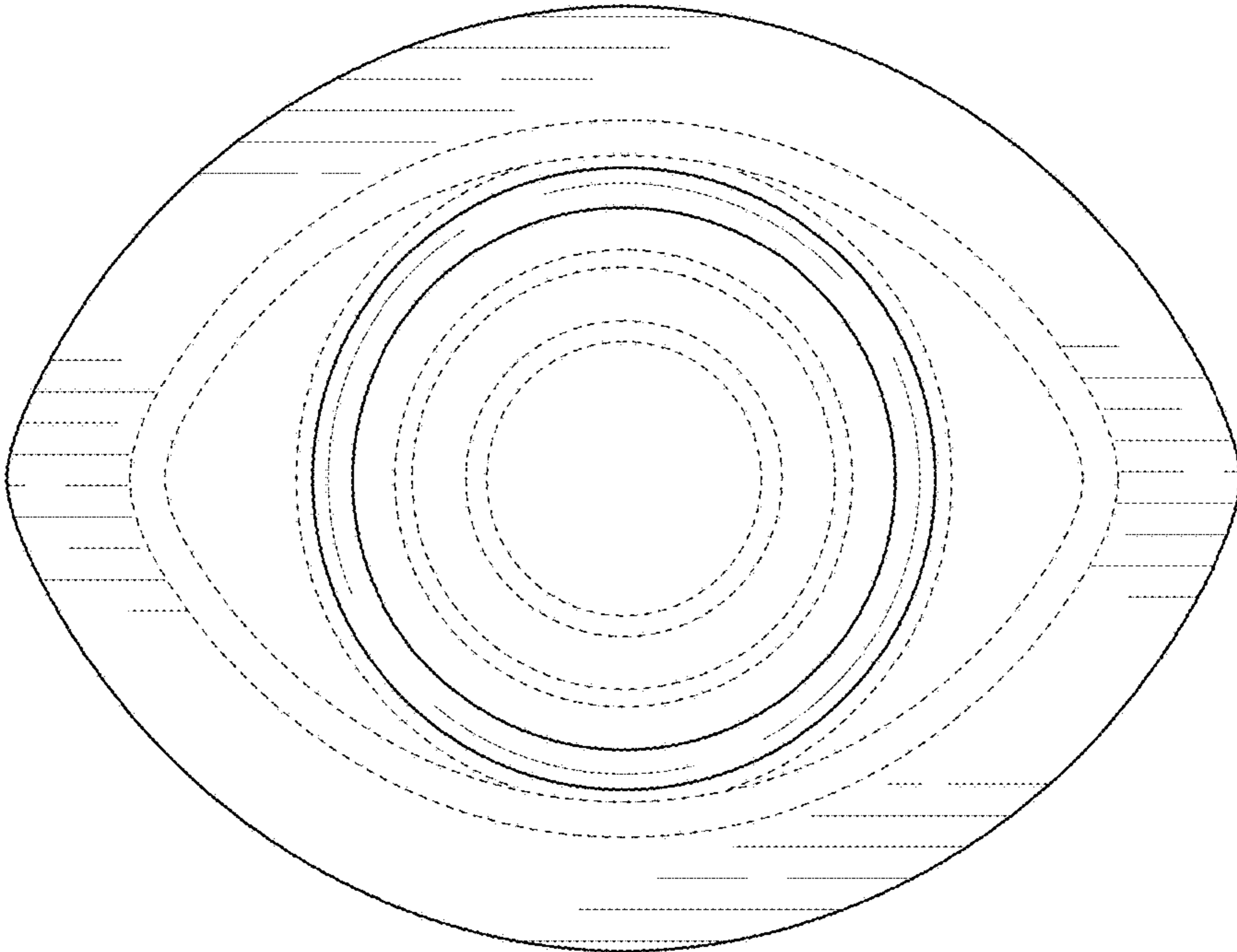


FIG. 7

