



US00D867666S

(12) **United States Design Patent**
Ishida

(10) **Patent No.:** **US D867,666 S**

(45) **Date of Patent:** **** Nov. 19, 2019**

- (54) **NAIL CLIPPING CATCHER**
- (71) Applicant: **Green Bell Co., Ltd.**, Osaka (JP)
- (72) Inventor: **Itsuto Ishida**, Osaka (JP)
- (73) Assignee: **GREEN BELL CO., LTD** (JP)

- 5,423,124 A * 6/1995 Marrocco A45D 29/023
29/525
- 5,522,136 A * 6/1996 Larisey A45D 29/023
132/75.5
- 5,632,288 A * 5/1997 Webb A45D 29/023
132/75.5
- 5,832,610 A * 11/1998 Chaplick A45D 29/023
30/28

(**) Term: **15 Years**

(21) Appl. No.: **29/642,419**

(22) Filed: **Mar. 29, 2018**

(30) **Foreign Application Priority Data**

Oct. 6, 2017 (JP) 2017-023710

(51) **LOC (12) Cl.** **28-03**

(52) **U.S. Cl.**
USPC **D28/62**

(58) **Field of Classification Search**
USPC D28/7, 55-62, 99; D24/133
CPC A45D 29/00; A45D 44/00; A45D 29/18;
A45D 29/02; A45D 29/023; A45D
2029/026; A41G 5/02
See application file for complete search history.

(56) **References Cited**

U.S. PATENT DOCUMENTS

- 4,640,011 A * 2/1987 Gamble A45D 29/023
132/73.5
- 4,776,090 A * 10/1988 Grassi A45D 29/023
132/73
- 4,934,050 A * 6/1990 Athalye A45D 29/023
132/75
- 5,195,544 A * 3/1993 Campagna A45D 29/023
132/73.5
- 5,261,160 A * 11/1993 Castagna A45D 29/023
132/75

(Continued)

Primary Examiner — Jennifer Rivard

Assistant Examiner — Alison M Ofstun

(74) *Attorney, Agent, or Firm* — Welsh Flaxman & Gitler
LLC

(57) **CLAIM**

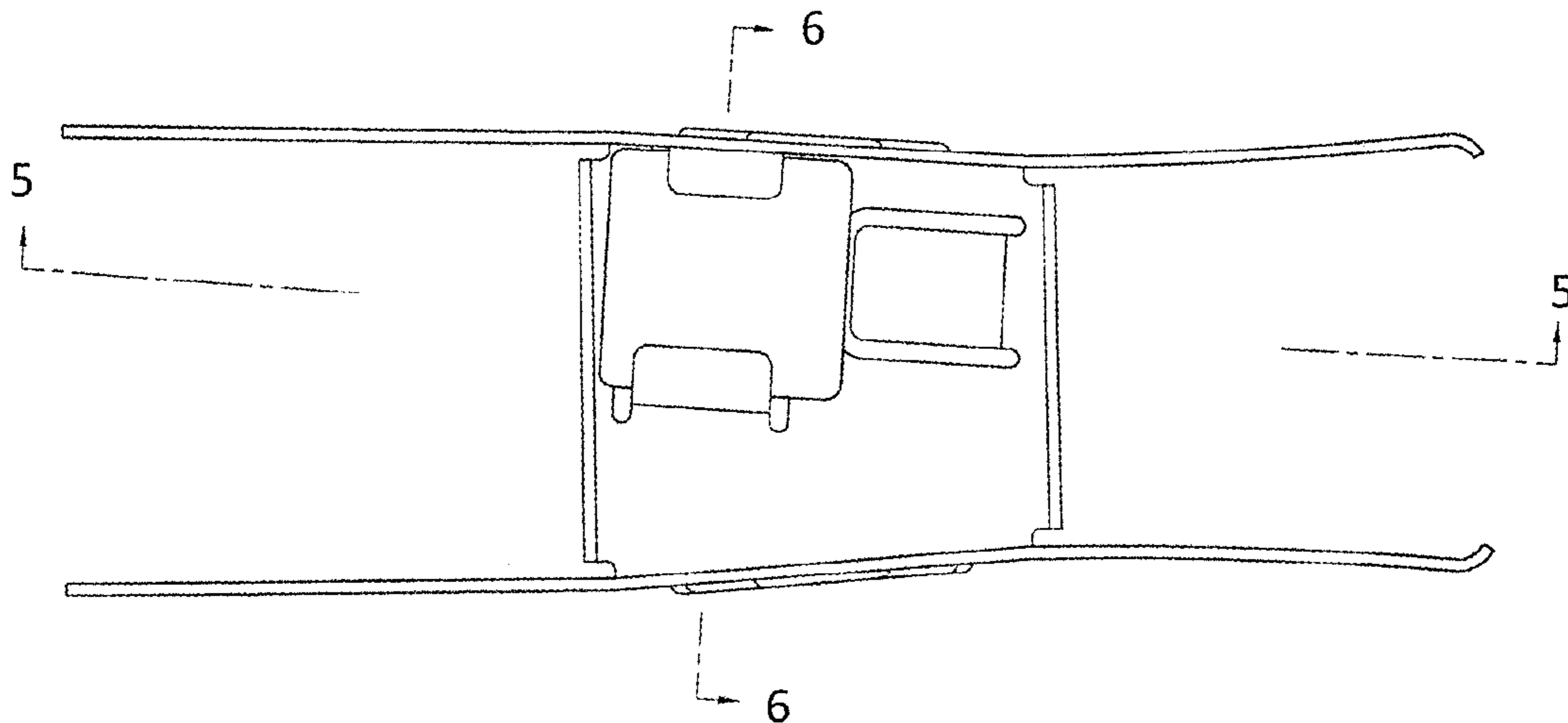
The ornamental design for a nail clipping catcher, as shown and described.

DESCRIPTION

FIG. 1 is a front elevation view of the nail clipping catcher; FIG. 2 is a top plan view of the nail clipping catcher; FIG. 3 is a rear elevation view of the nail clipping catcher; FIG. 4 is a bottom plan view of the nail clipping catcher; FIG. 5 is a cross-sectional view of the nail clipping catcher taken in the direction of line 5-5 as indicated on FIG. 1; FIG. 6 is a cross-sectional view of the nail clipping catcher taken in the direction of line 6-6 as indicated on FIG. 1; FIG. 7 is a front elevation view of the nail clipping catcher shown in an environment of use; FIG. 8 is a rear elevation view of the nail clipping catcher shown in an environment of use; FIG. 9 is a bottom plan view of the nail clipping catcher shown in an environment of use; and, FIG. 10 is a rear angled perspective view of the nail clipping catcher.

In the drawings, the broken lines illustrate environmental subject matter and form no part of the claimed design.

1 Claim, 5 Drawing Sheets



(56)

References Cited

U.S. PATENT DOCUMENTS

5,983,498 A * 11/1999 Lieberman A45D 29/023
132/75.5
6,009,880 A * 1/2000 Weidlich A45D 29/023
132/73
D446,886 S * 8/2001 Park D28/60
6,523,545 B2 * 2/2003 Rende A45D 29/023
132/75.5
D506,289 S * 6/2005 Moncayo D28/60

* cited by examiner

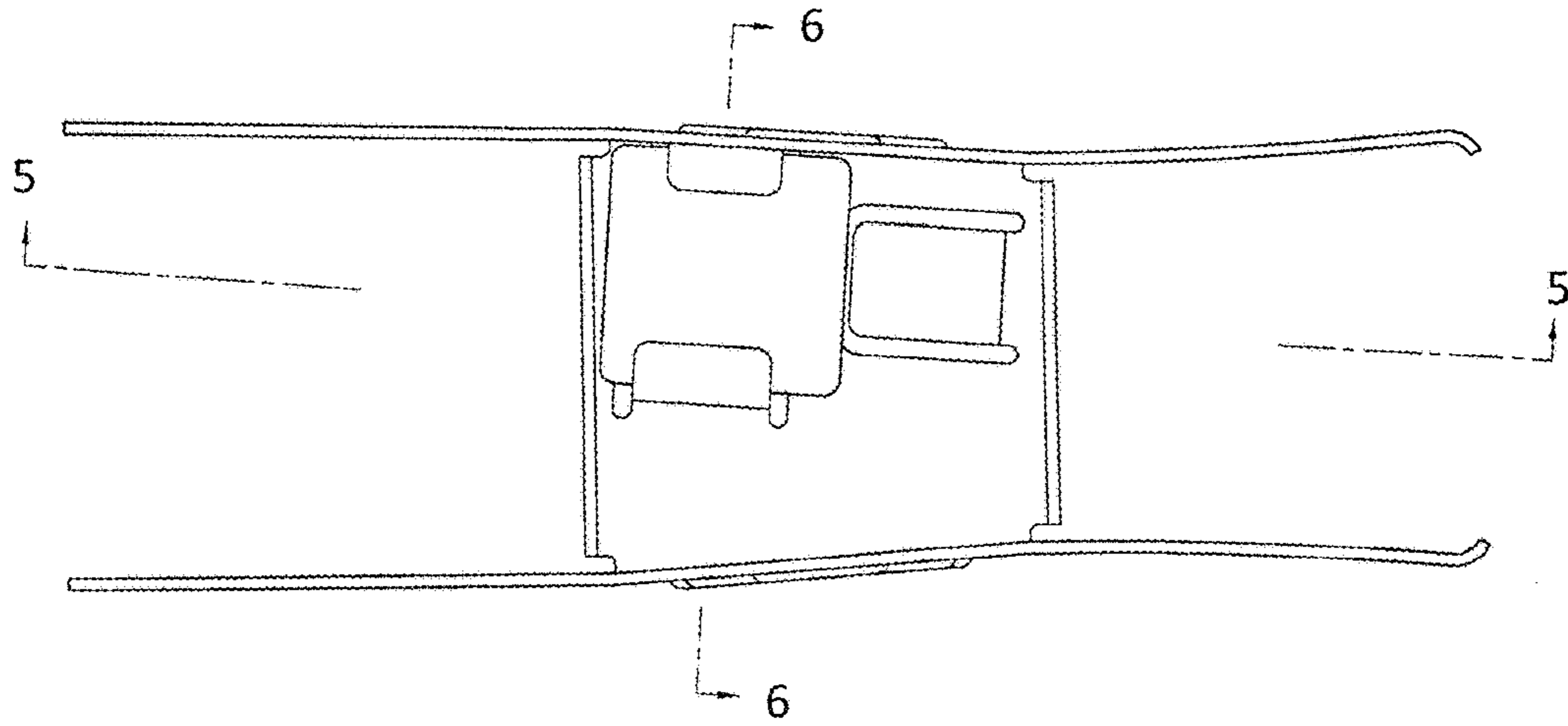


FIG. 1

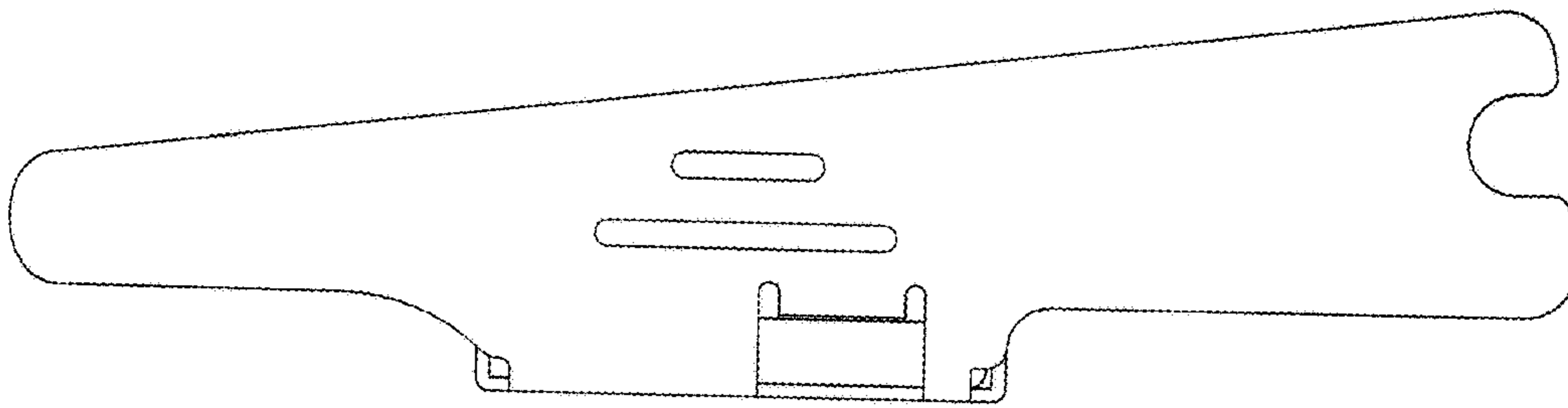


FIG. 2

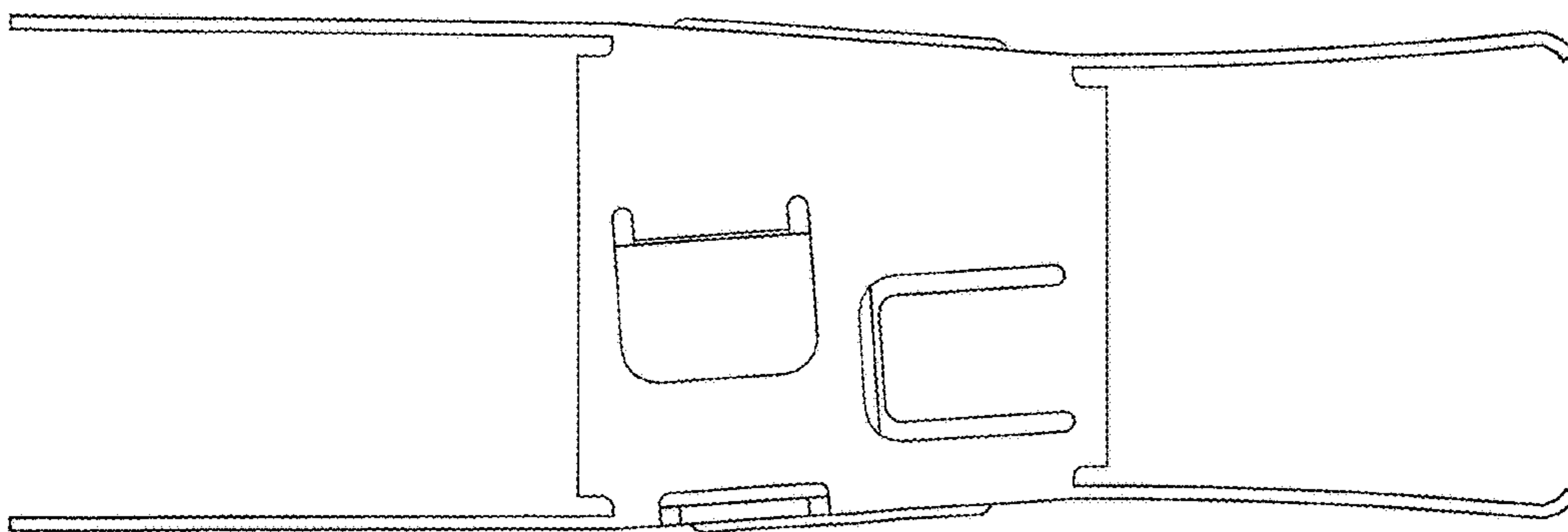


FIG. 3

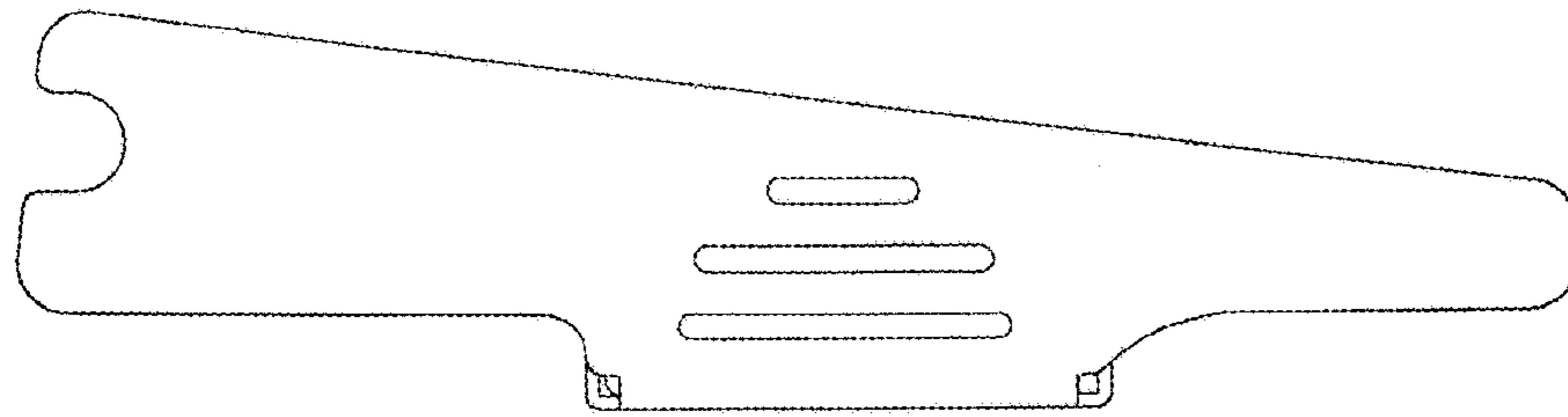


FIG. 4

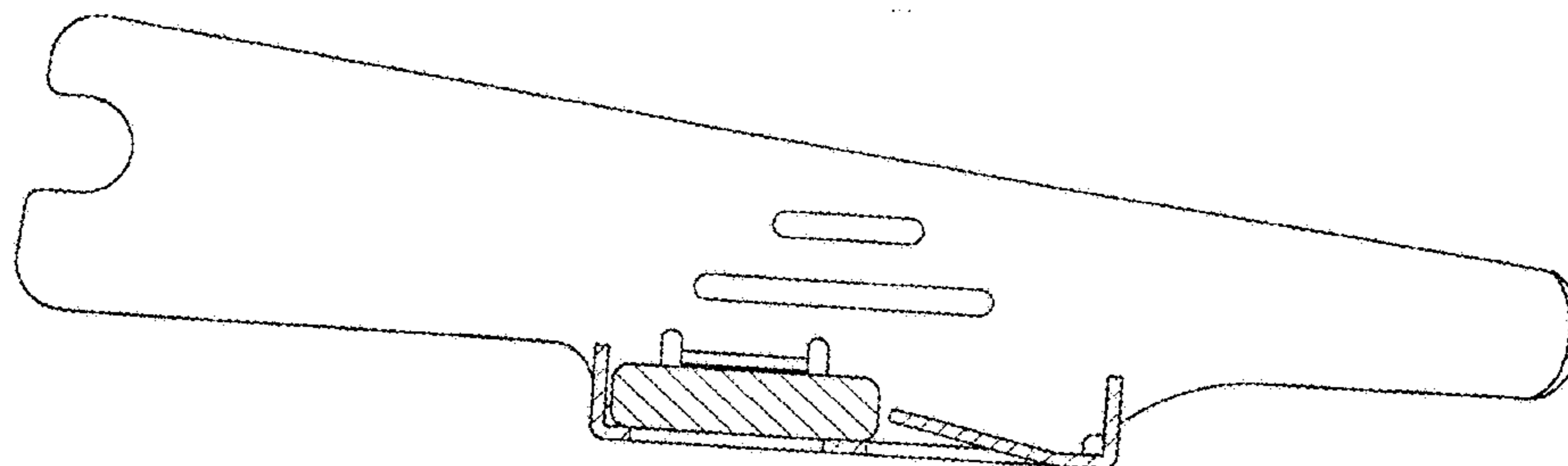


FIG. 5

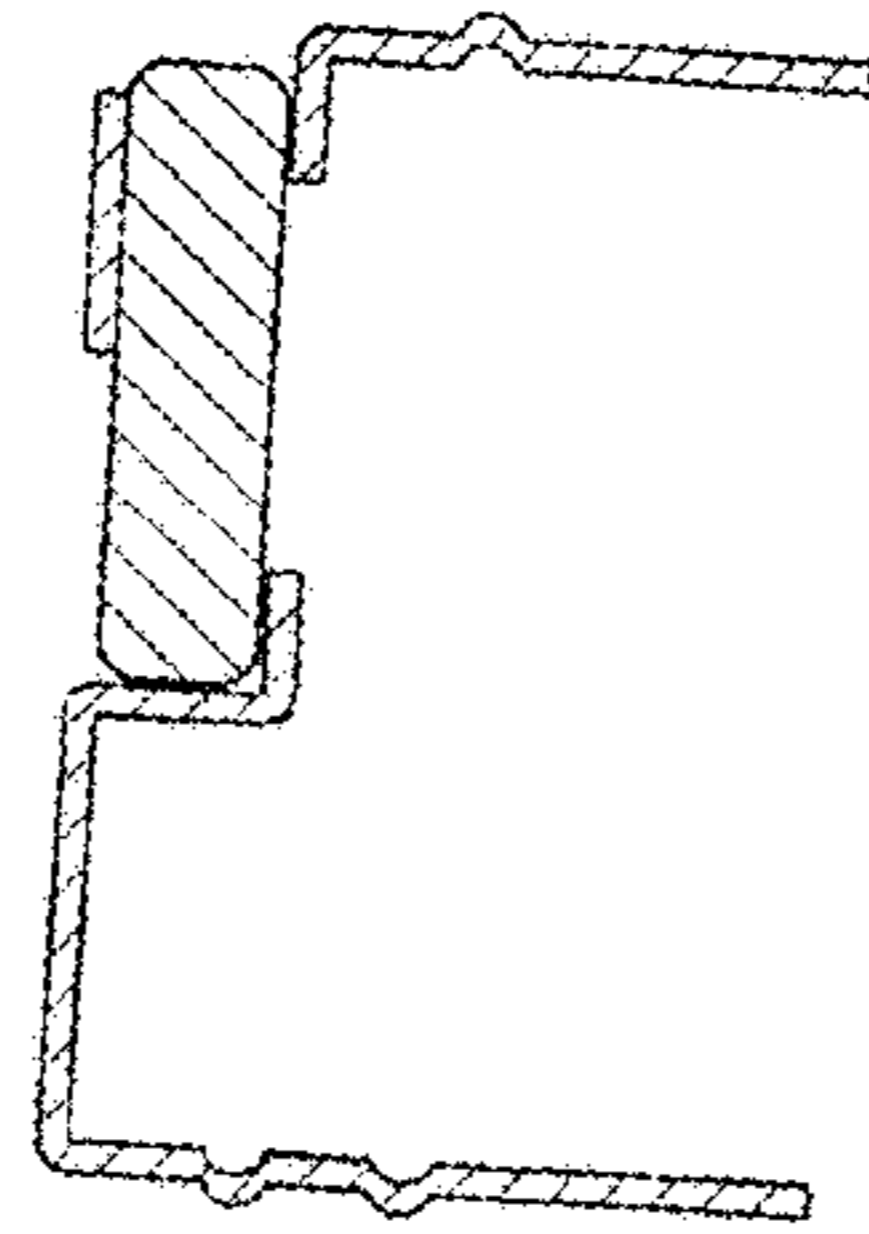


FIG. 6

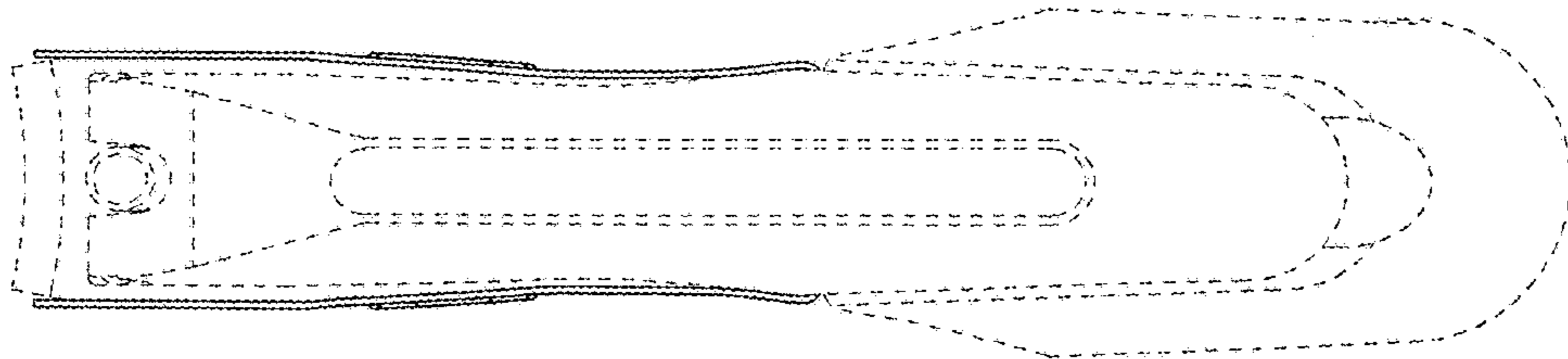


FIG. 7

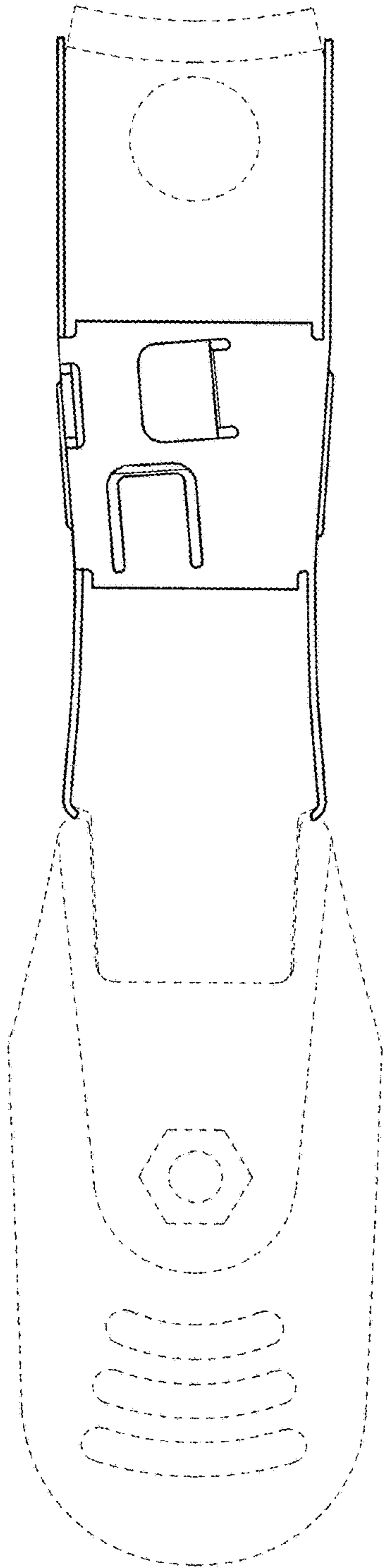


FIG. 8

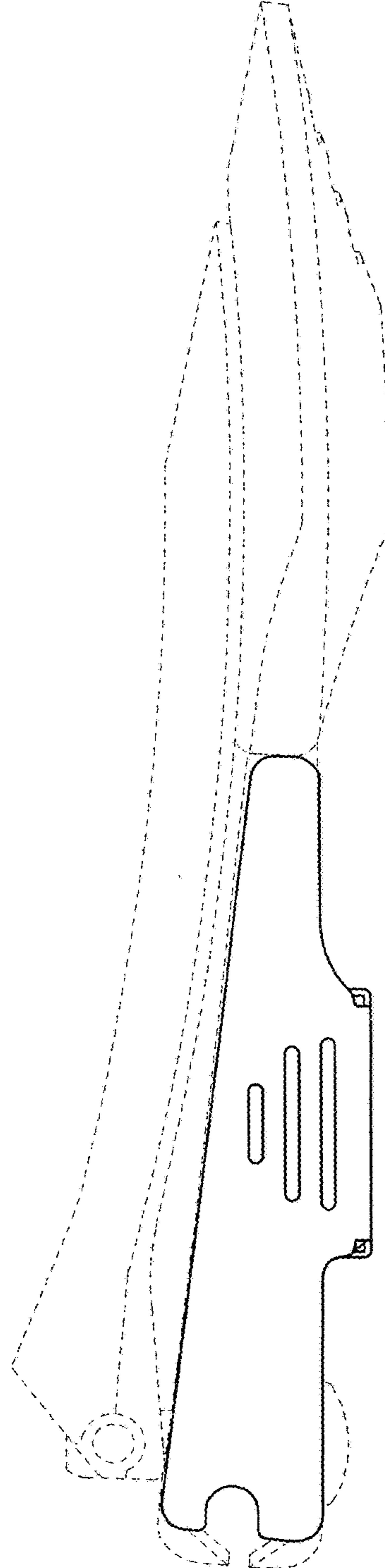


FIG. 9

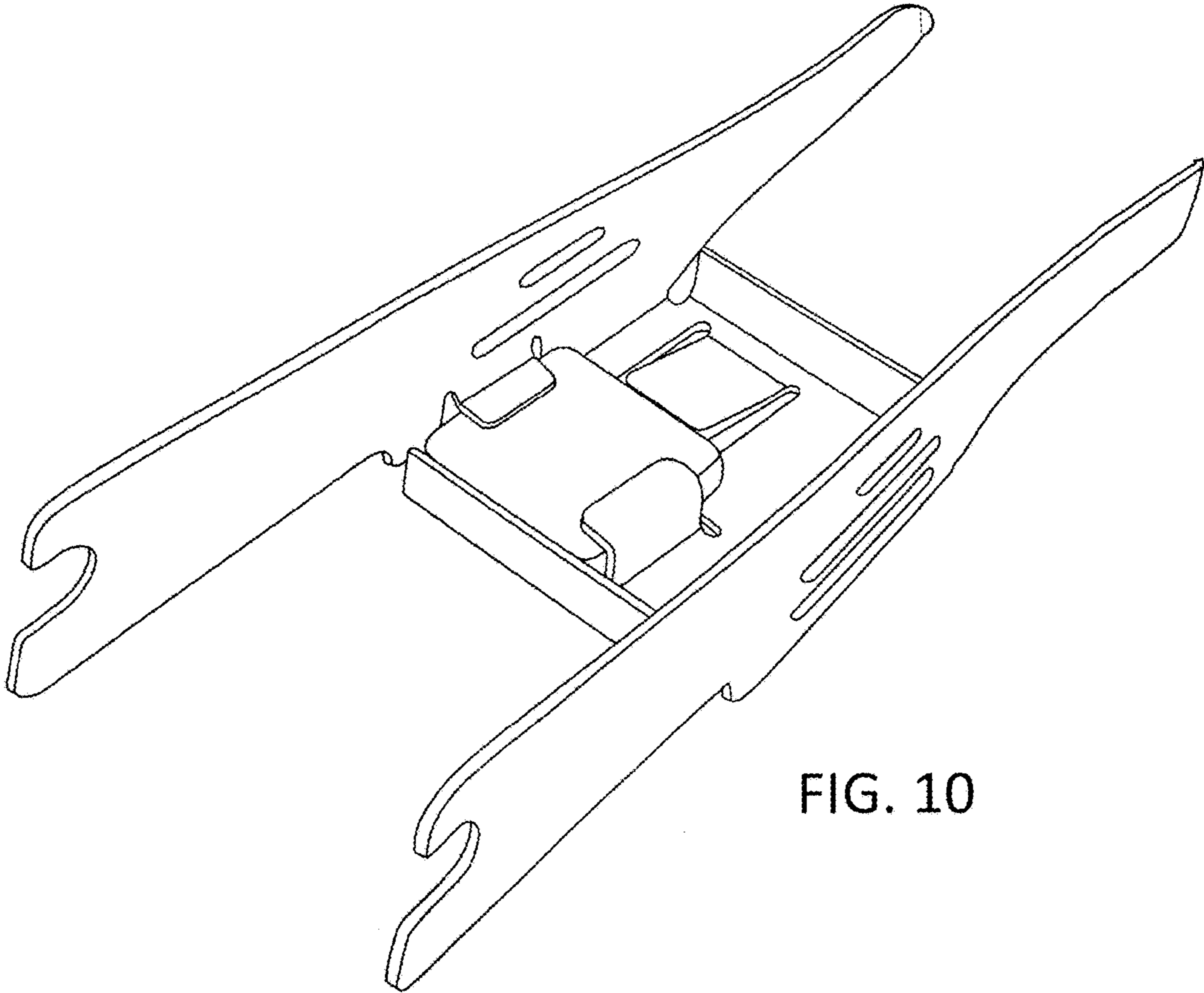


FIG. 10