



US00D867659S

(12) **United States Design Patent** (10) **Patent No.:** **US D867,659 S**
Zhou (45) **Date of Patent:** **** Nov. 19, 2019**

(54) **HAIR STRAIGHTENER**
(71) Applicant: **Yungang Zhou**, Xiantao (CN)
(72) Inventor: **Yungang Zhou**, Xiantao (CN)
(**) Term: **15 Years**
(21) Appl. No.: **29/633,543**
(22) Filed: **Jan. 15, 2018**
(51) **LOC (12) Cl.** **28-03**
(52) **U.S. Cl.**
USPC **D28/35**
(58) **Field of Classification Search**
USPC D28/10, 35, 37, 38
CPC ... A45D 1/04; A45D 2/00; A45D 2/02; A45D
4/00; A45D 8/00; A45D 7/02; A45D
8/40; A45D 2001/045; A45D 2001/008;
A45D 19/16; A45D 1/00-01; A45D 1/28;
A45D 2/001; A45D 2/002; A45D 2/04;
A45D 2/06; A45D 2/08; A45D 2/10;
A45D 2/12-22; A45D 12/24-34; A45D
12/36-367
See application file for complete search history.

(56) **References Cited**

U.S. PATENT DOCUMENTS

D596,799	S	*	7/2009	Kwok	D28/35
D606,256	S	*	12/2009	Leung	D28/35
D645,613	S	*	9/2011	Schmitz	D28/35
D649,288	S	*	11/2011	Koehler	D28/35
D672,087	S	*	12/2012	Julemont	D28/35
D672,089	S	*	12/2012	Julemont	D28/35
D726,964	S		4/2015	Smith et al.		
D758,013	S	*	5/2016	Bermudez	D28/35
D769,523	S		10/2016	Fan		
D816,270	S		4/2018	Yue		
D816,902	S	*	5/2018	Delassus	D28/35
D837,448	S	*	1/2019	Maochang	D28/35
D838,039	S	*	1/2019	Zhou	D28/35
D838,907	S	*	1/2019	Bates	D28/35

2006/0207625	A1*	9/2006	Chan	A45D 1/04 132/224
2012/0055502	A1*	3/2012	Wright	A45D 1/04 132/226
2016/0255936	A1*	9/2016	deGrood	A45D 2/001
2016/0271646	A1*	9/2016	deGrood	A45D 1/06
2018/0014618	A1*	1/2018	Ohgi	A45D 1/04
2018/0042352	A1*	2/2018	deGrood	A45D 1/04
2018/0064226	A1*	3/2018	Richmond	A45D 1/06
2018/0338595	A1*	11/2018	Jones	A45D 6/00

OTHER PUBLICATIONS

Beauti Vogues Professional Steam Hair Straightener, Beauti Vogues, reviewed on Oct. 9, 2017, retrieved on Mar. 24, 2019, retrieved from the Internet URL: https://www.amazon.com/Professional-Straightener-treatment-Tourmaline-Straighteners/dp/B075G55RKV/ref=sr_1_154?crd=WXZGW5W8ZI26&keywords=hair%2Bstraightener&qid=1553.*

* cited by examiner

Primary Examiner — Jennifer Rivard
Assistant Examiner — Alison M Ofstun

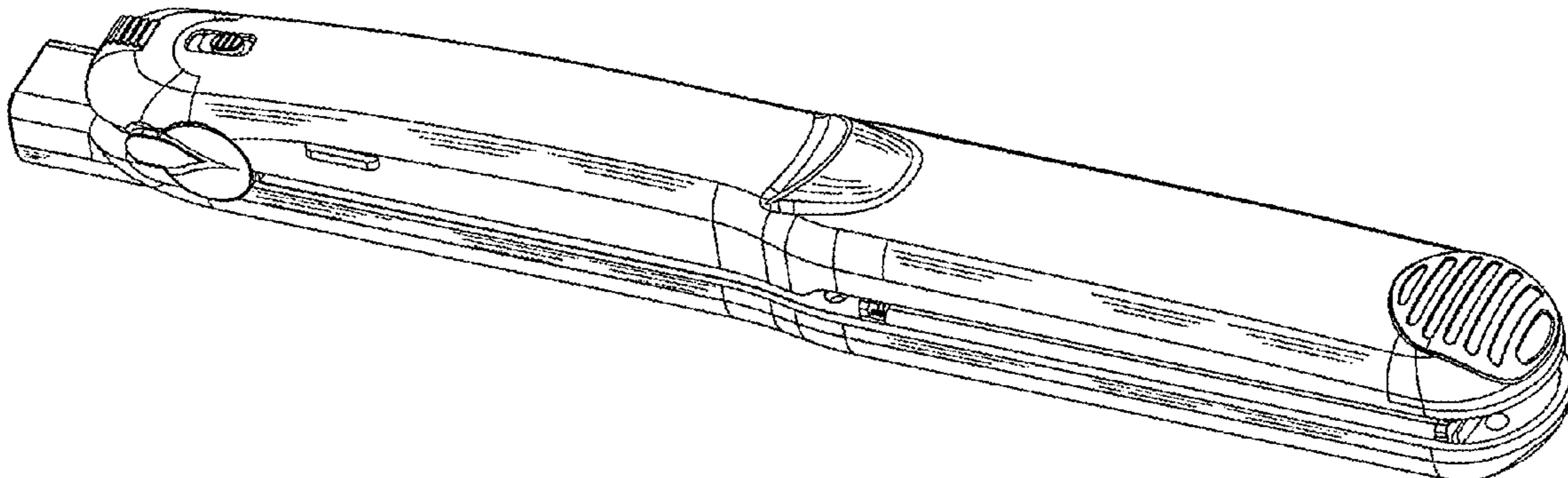
(57) **CLAIM**

The ornamental design for a hair straightener, as shown and described.

DESCRIPTION

FIG. 1 is a perspective view of a hair straightener showing my new design;
FIG. 2 is a front elevational view thereof;
FIG. 3 is a rear elevational view thereof;
FIG. 4 is a left side elevational view thereof;
FIG. 5 is a right side elevational view thereof;
FIG. 6 is a top plan view thereof; and,
FIG. 7 is a bottom plan view thereof.
In the drawings, the broken lines represent portions of the article which form no part of the claimed design.

1 Claim, 7 Drawing Sheets



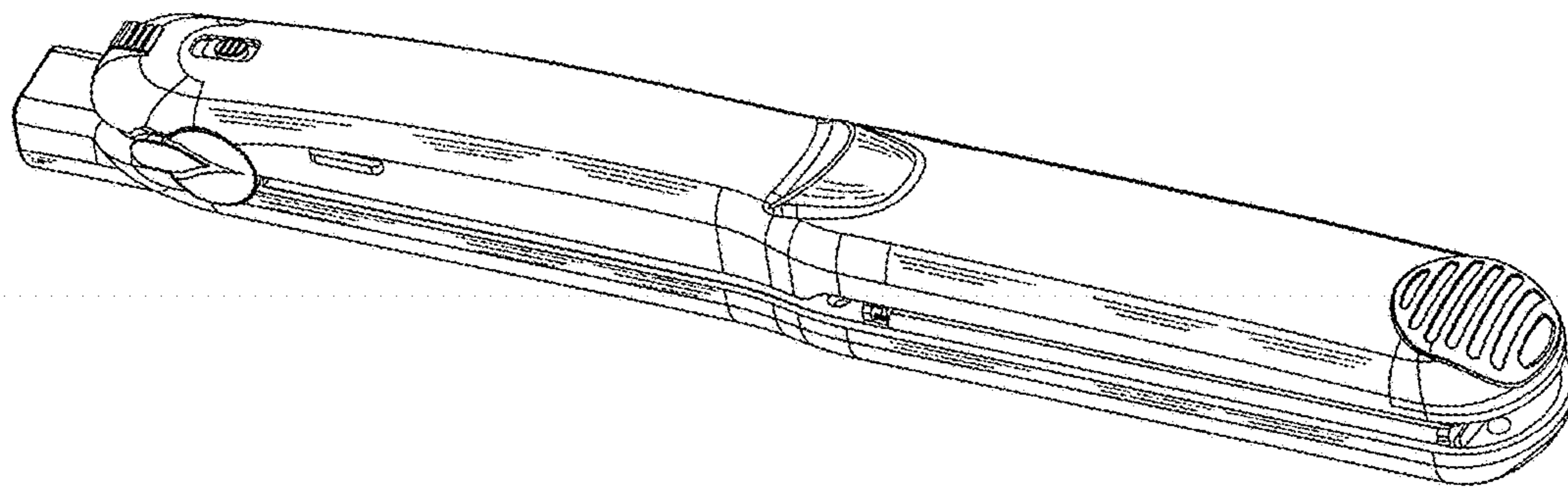


FIG. 1

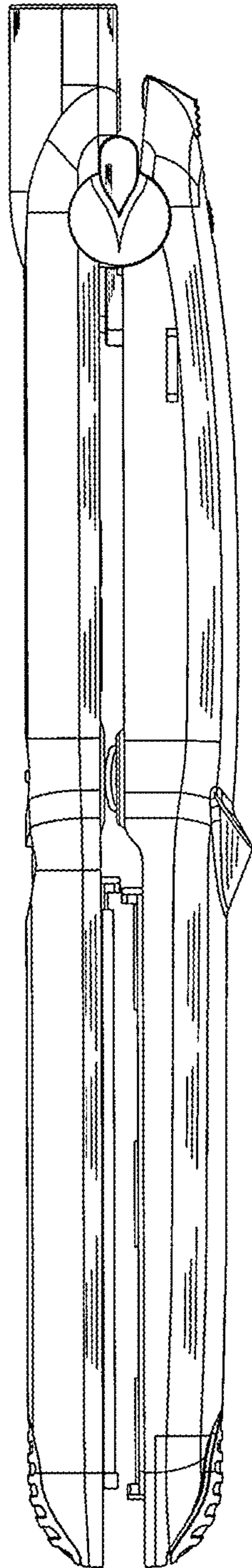


FIG.2

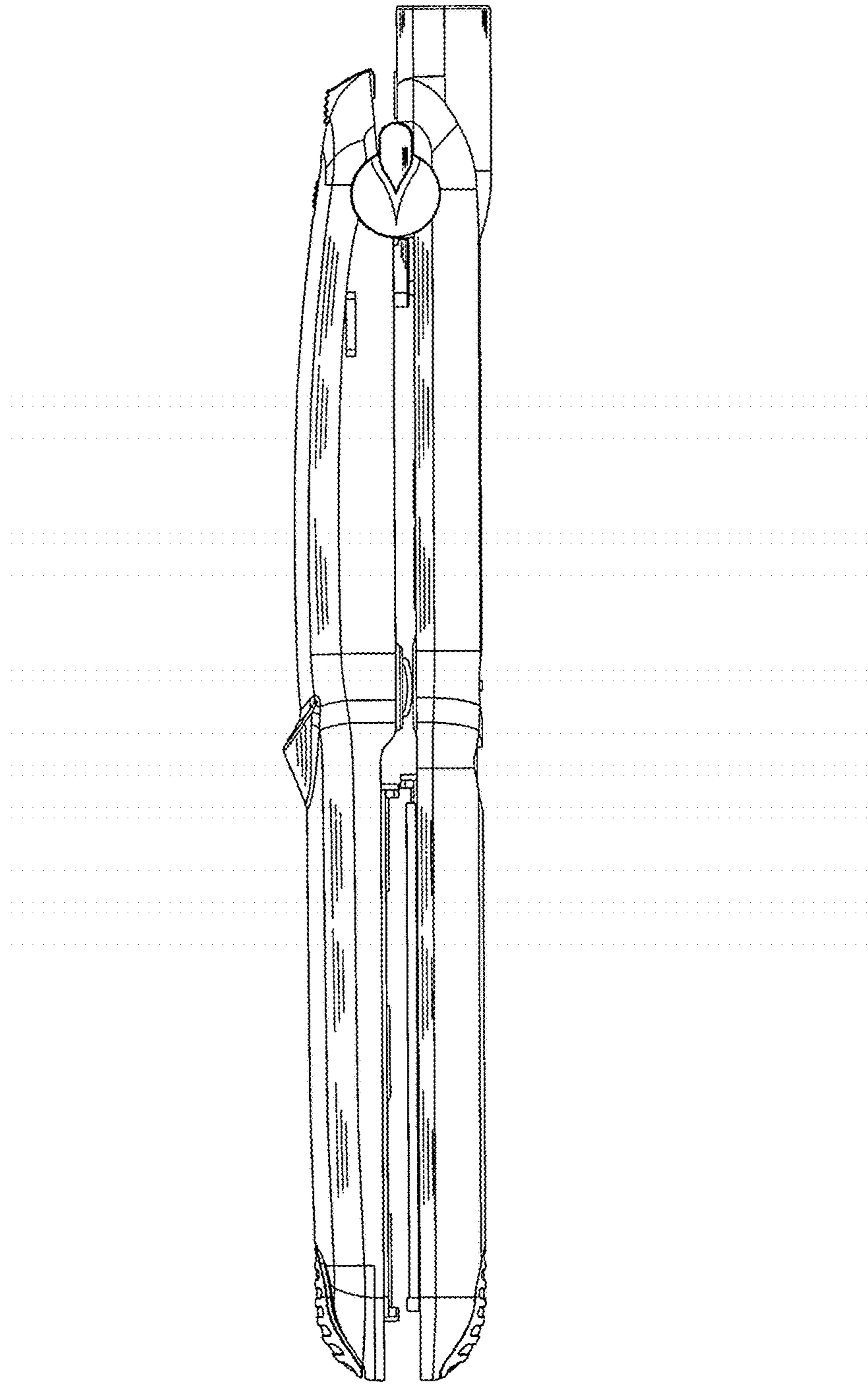


FIG.3

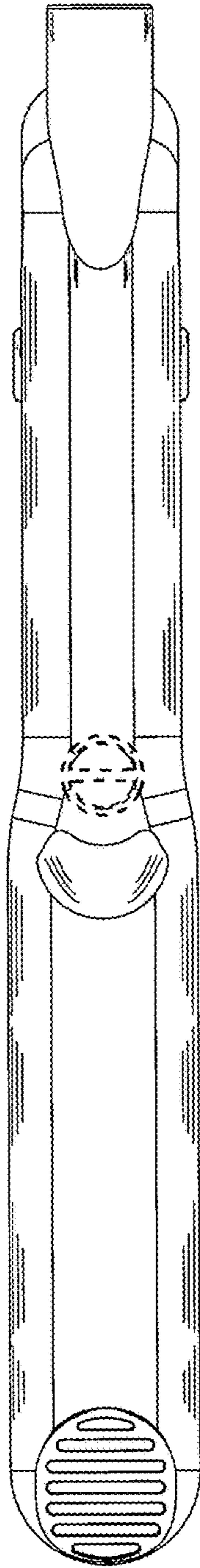


FIG.4

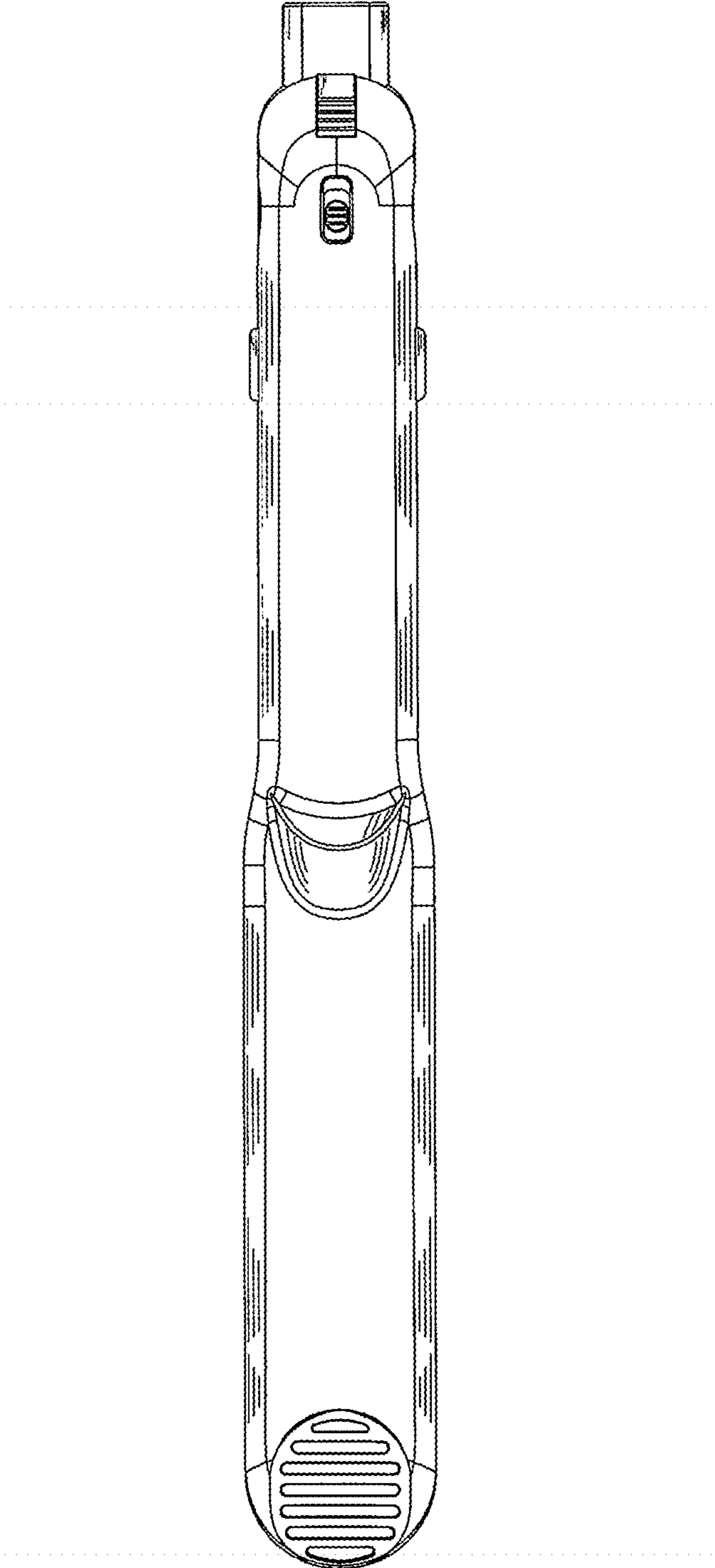


FIG.5

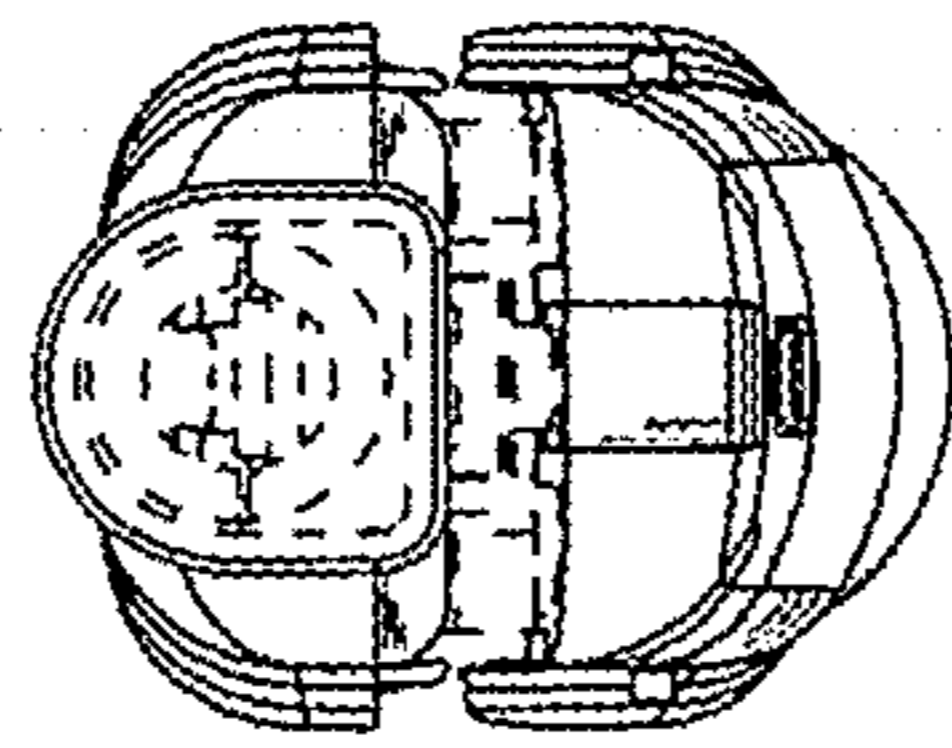


FIG.6

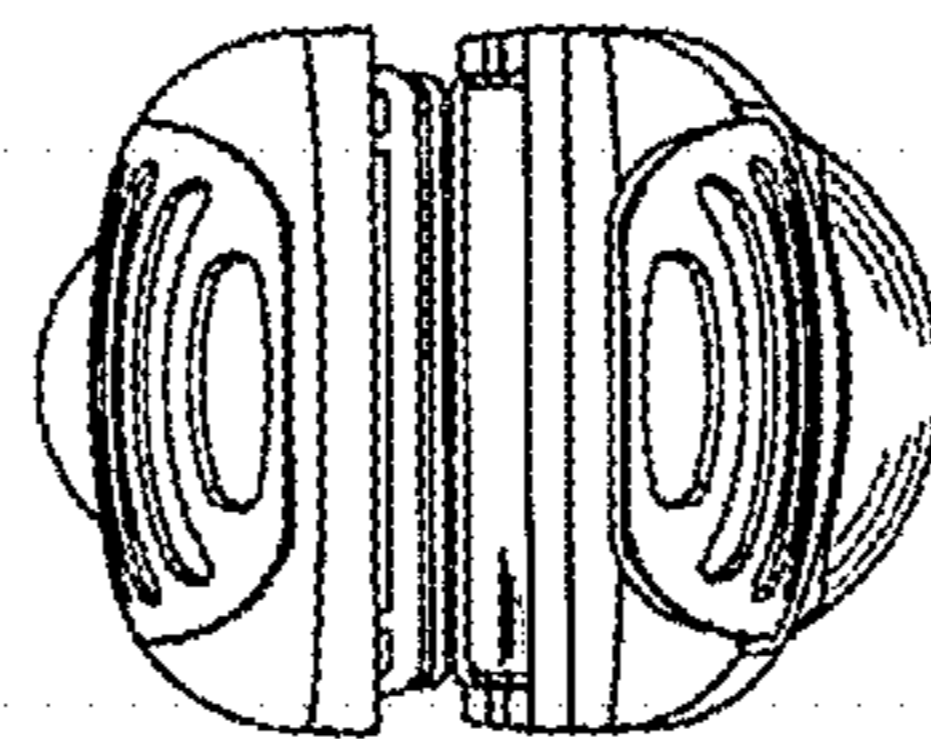


FIG. 7