



US00D867658S

(12) **United States Design Patent**
Huang

(10) **Patent No.:** **US D867,658 S**

(45) **Date of Patent:** **** Nov. 19, 2019**

(54) **HAIR DRYER**

(71) Applicant: **Guangdong Huanengda Electrical Appliances Co., LTD.**, Jieyang (CN)

(72) Inventor: **Huaqun Huang**, Jieyang (CN)

(73) Assignee: **GUANGDONG HUANENGDA ELECTRICAL APPLIANCES CO., LTD.**, Jieyang, Guangdong Province (CN)

(**) Term: **15 Years**

(21) Appl. No.: **29/658,815**

(22) Filed: **Aug. 2, 2018**

(51) **LOC (12) Cl.** **28-03**

(52) **U.S. Cl.**
USPC **D28/13**

(58) **Field of Classification Search**
USPC D28/12-19
CPC A45D 20/00; A45D 20/04; A45D 20/08;
A45D 20/10; A45D 20/128
See application file for complete search history.

(56) **References Cited**

U.S. PATENT DOCUMENTS

D257,492 S * 11/1980 Cousins D28/13
D537,565 S * 2/2007 Shin D28/13

D537,566 S * 2/2007 Kondo D28/13
D695,958 S * 12/2013 Shami D28/13
D803,479 S * 11/2017 Collier D28/13
2010/0170104 A1 * 7/2010 Shami A45D 20/12
34/283

* cited by examiner

Primary Examiner — Zenia I Bennett

(74) *Attorney, Agent, or Firm* — Dragon Sun Law Firm, PC; Jinggao Li, Esq.

(57) **CLAIM**

The ornamental design for a hair dryer, as shown and described.

DESCRIPTION

FIG. 1 is a front perspective view of a hair dryer showing our new design;

FIG. 2 is a rear perspective view thereof;

FIG. 3 is a front elevational view thereof;

FIG. 4 is a rear elevational view thereof;

FIG. 5 is a left elevational view thereof;

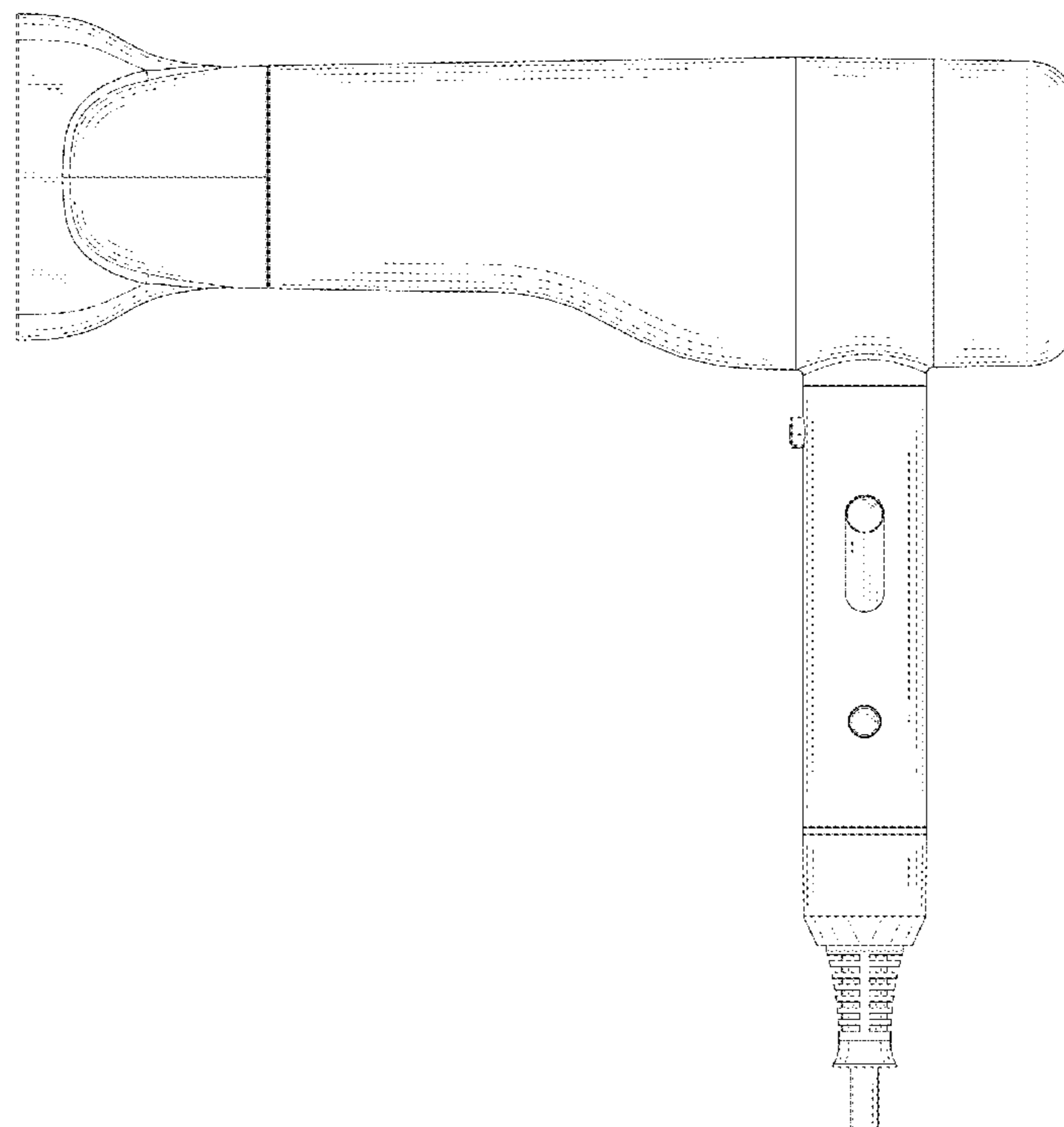
FIG. 6 is a right elevational view thereof;

FIG. 7 is a top plan view thereof; and,

FIG. 8 is a bottom plan view thereof.

The broken lines are for environmental proposes only and form no part of the claimed design.

1 Claim, 8 Drawing Sheets



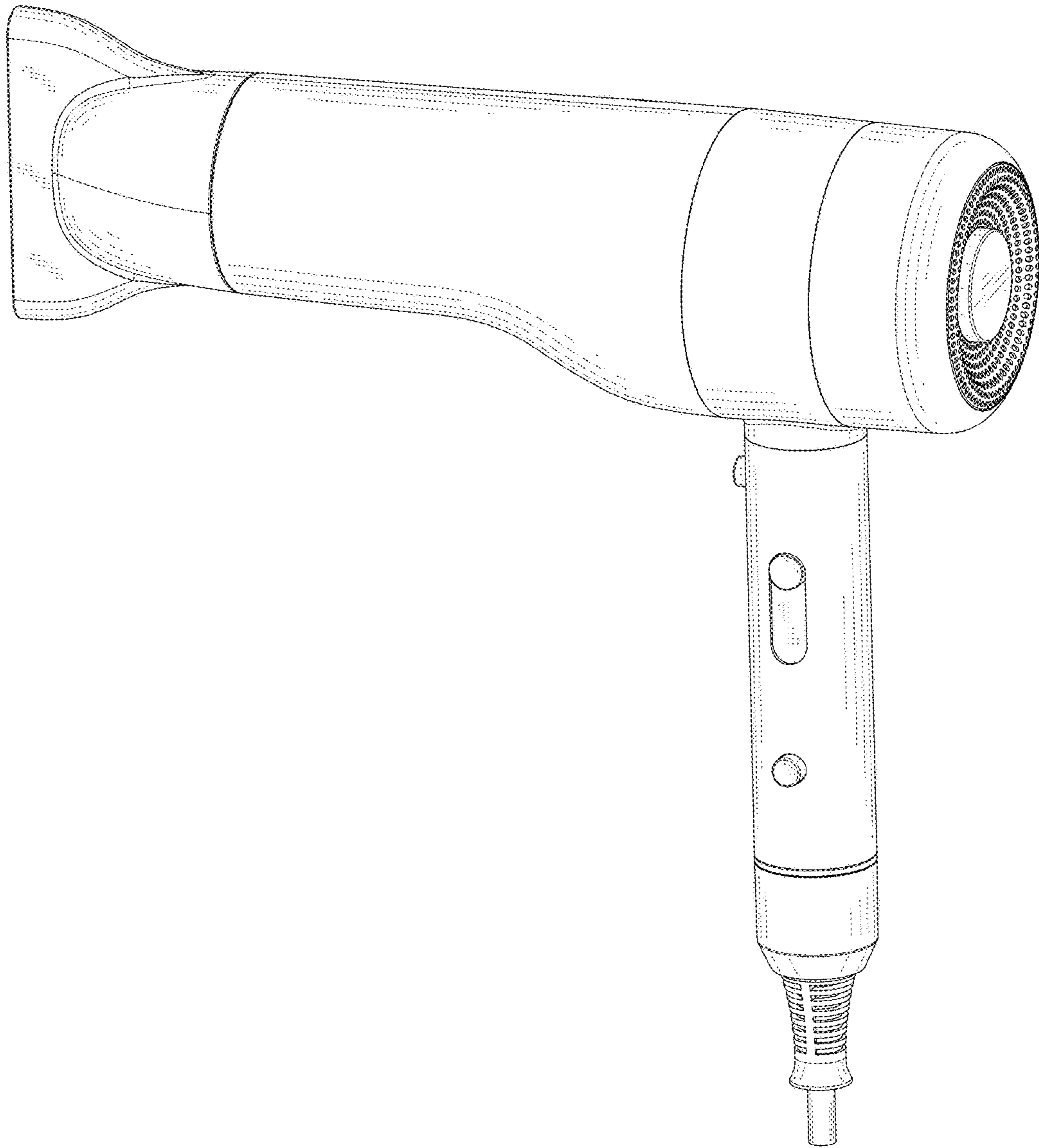


FIG. 1

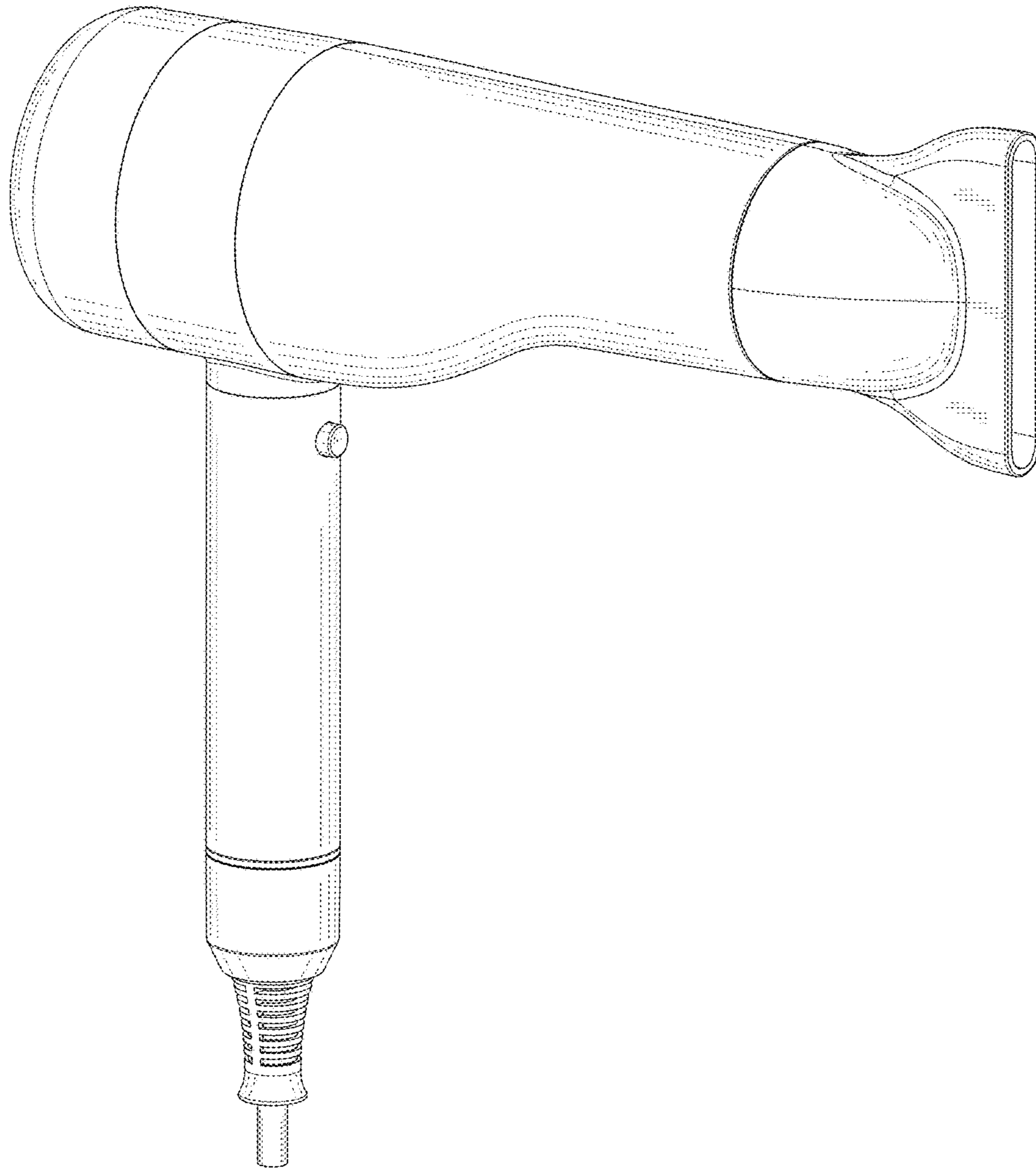


FIG. 2

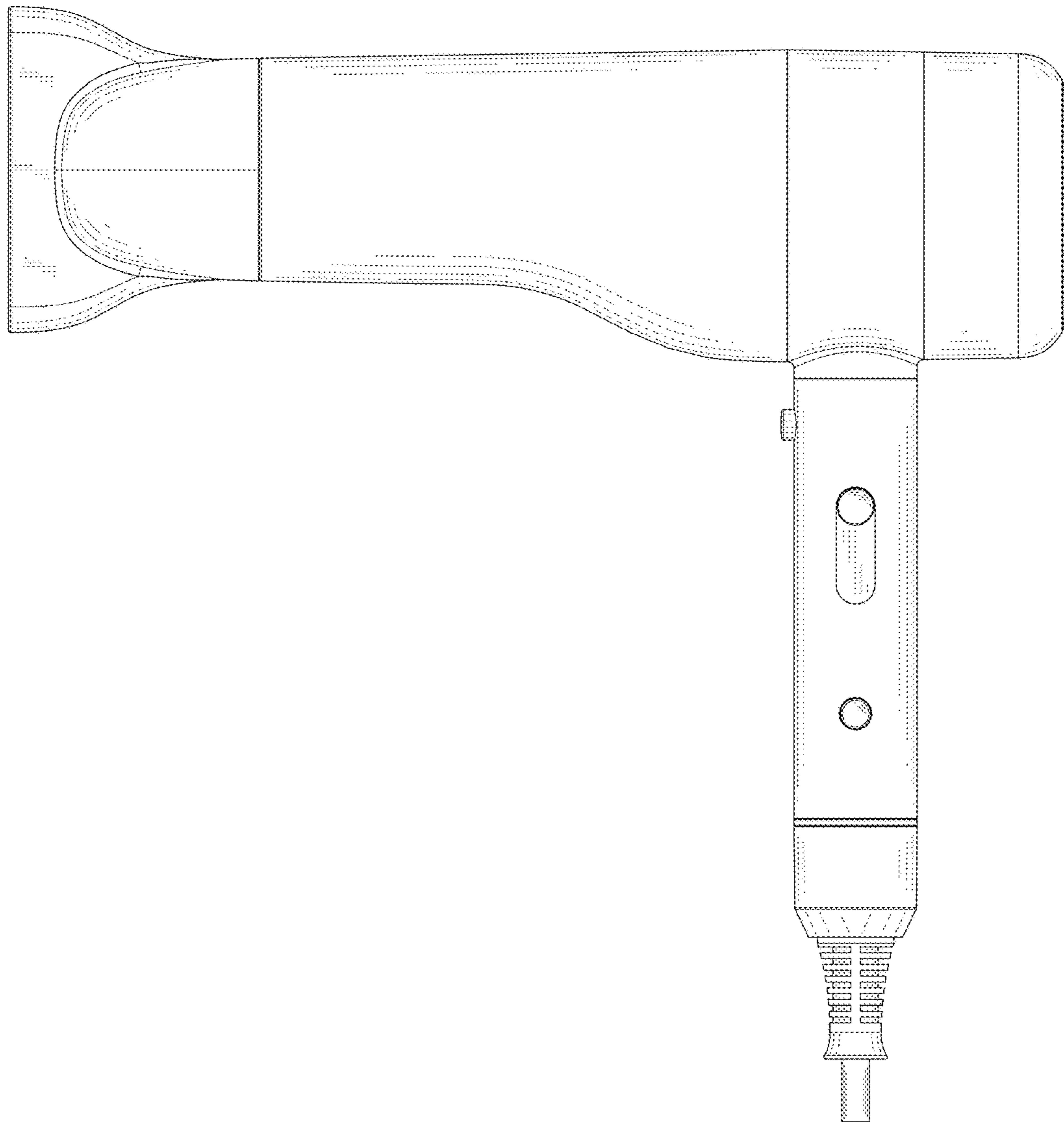


FIG. 3

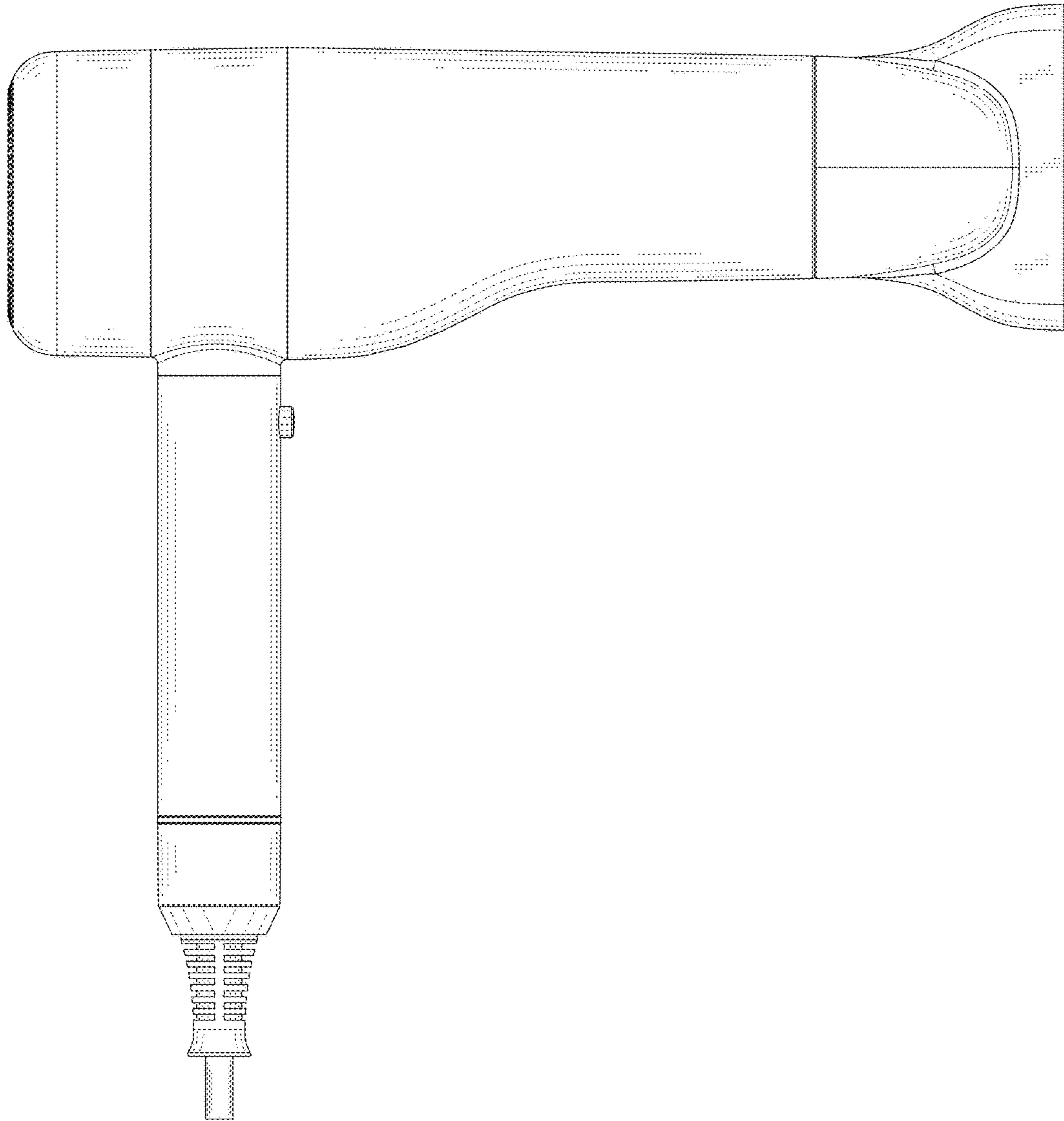


FIG. 4

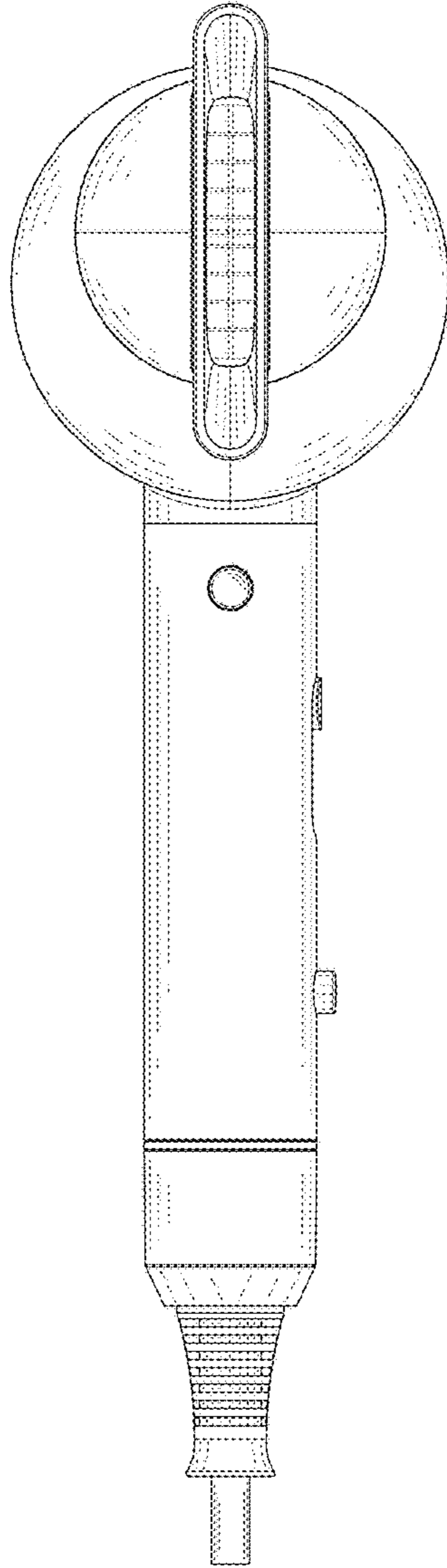


FIG. 5

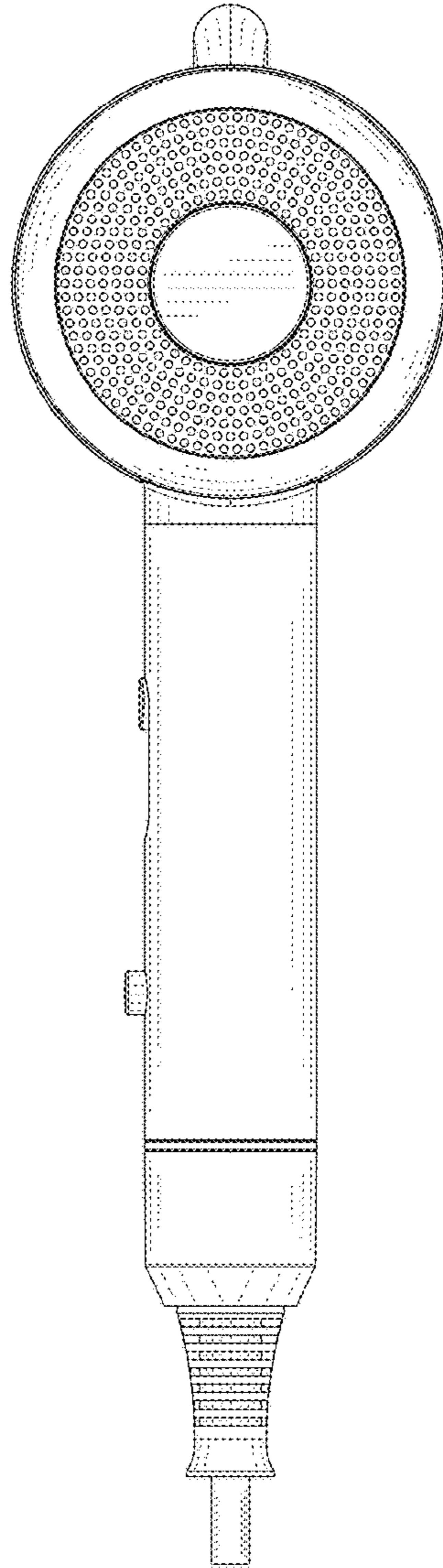


FIG. 6

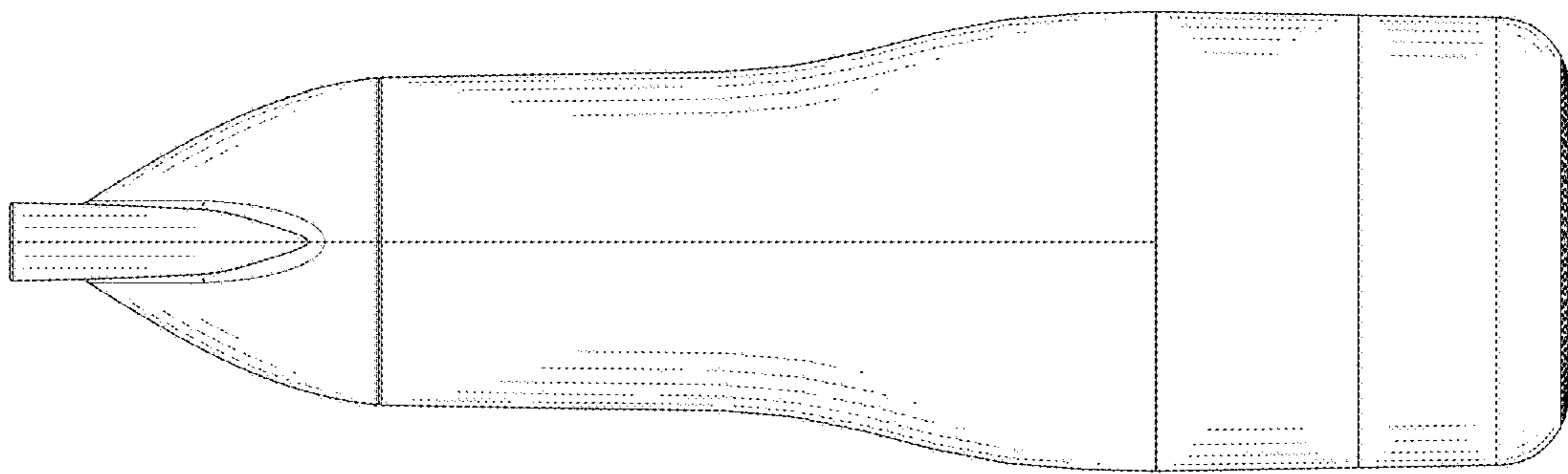


FIG. 7

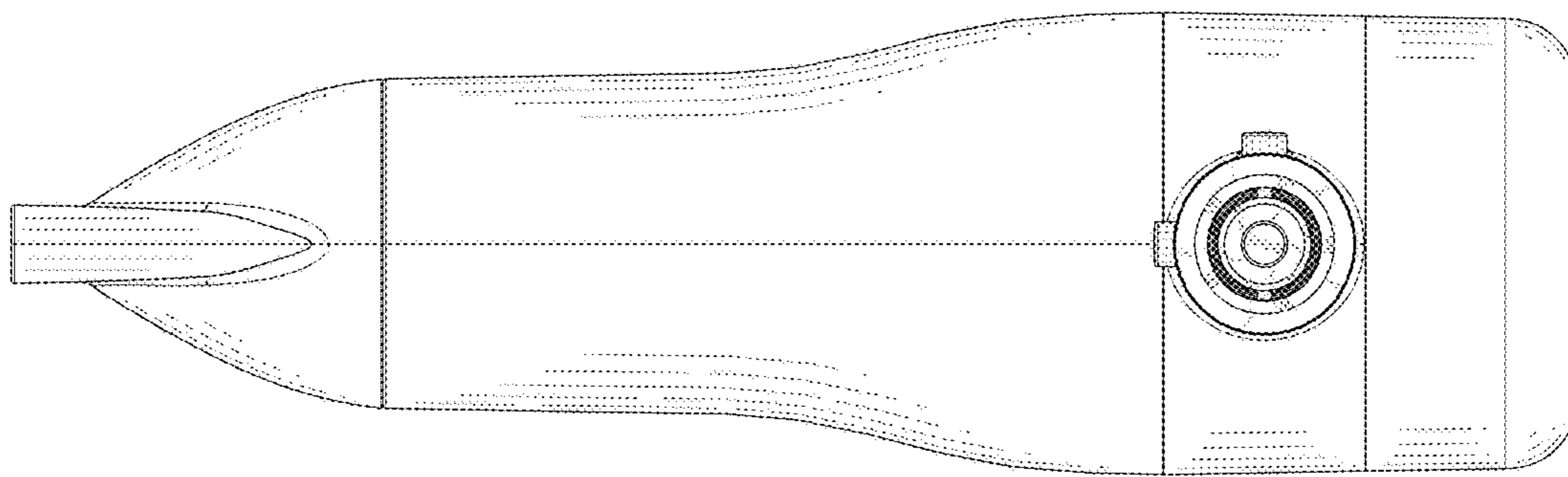


FIG. 8