



US00D867657S

(12) **United States Design Patent**
Fornarelli

(10) **Patent No.:** **US D867,657 S**

(45) **Date of Patent:** **** Nov. 19, 2019**

- (54) **DUAL CHAMBER TANK**
- (71) Applicant: **AVANZATO TECHNOLOGY CORP.**,
Chicago, IL (US)
- (72) Inventor: **Thomas Fornarelli**, Chicago, IL (US)
- (73) Assignee: **AVANZATO TECHNOLOGY CORP.**,
Chicago, IL (US)
- (**) Term: **15 Years**
- (21) Appl. No.: **29/629,872**
- (22) Filed: **Dec. 15, 2017**
- (51) **LOC (12) Cl.** **27-99**
- (52) **U.S. Cl.**
USPC **D27/194**
- (58) **Field of Classification Search**
USPC D27/100, 101, 139-161, 162-194;
D23/366; D7/416
CPC A24F 47/008; A24F 47/002; A24F 7/00;
A24F 15/12
See application file for complete search history.

D772,478 S *	11/2016	Liu	D27/167
D776,867 S	1/2017	Rado		
D776,868 S	1/2017	Rado		
D799,113 S *	10/2017	Qiu	D27/101
D800,382 S *	10/2017	Mathias	D27/167
D804,718 S	12/2017	Mathias et al.		
D806,941 S *	1/2018	Hawes	D27/101
D806,943 S *	1/2018	Liu	D27/101
D809,190 S *	1/2018	Schuler	D27/101
D811,652 S *	2/2018	Liu	D27/167
D814,103 S *	3/2018	Levinson	D27/101
D817,544 S *	5/2018	Chen	D27/167
9,980,522 B1 *	5/2018	Heidl	A24F 47/008
9,993,028 B2 *	6/2018	Li	A24F 47/008
D823,534 S *	7/2018	Chen	D27/162
D823,535 S *	7/2018	Xu	D27/163
D825,840 S *	8/2018	Xu	D27/163
D825,841 S *	8/2018	Xu	D27/163
D825,842 S *	8/2018	Xu	D27/163

(Continued)

Primary Examiner — Marissa J Cash
(74) *Attorney, Agent, or Firm* — Flener IP & Business
Law; Zareefa B. Flener

(57) **CLAIM**

The ornamental design for a dual chamber tank, as shown and described.

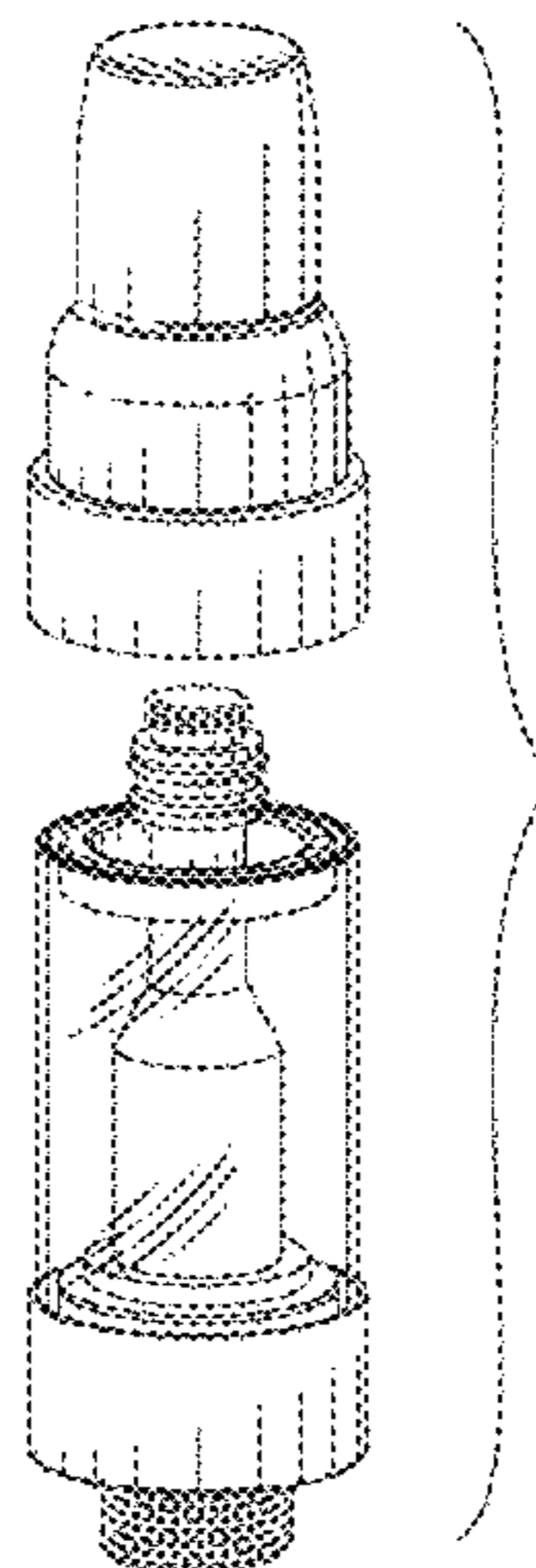
DESCRIPTION

FIG. 1 is a perspective view of a dual chamber tank showing my new design;
FIG. 2 is an elevation view of the design of FIG. 1, wherein all sides of the design are identical;
FIG. 3 is a top plan view of the design of FIG. 1;
FIG. 4 is a bottom plan view of the design of FIG. 1; and,
FIG. 5 is an exploded perspective view of the design of FIG. 1.
The broken lines in the drawings depict portions of the dual chamber tank that form no part of the claimed design.

1 Claim, 3 Drawing Sheets

(56) **References Cited**
U.S. PATENT DOCUMENTS

D347,490 S	5/1994	Gee et al.		
D617,942 S	6/2010	LoRe		
D651,337 S	12/2011	Bryman		
D720,499 S	12/2014	Alima		
D721,202 S *	1/2015	Liu	D27/101
D724,263 S *	3/2015	Malhi	D27/101
D724,264 S	3/2015	Chambers		
D724,779 S *	3/2015	Liu	D27/101
D729,440 S	5/2015	Liu		
D749,261 S *	2/2016	Chen	D27/162
D752,279 S *	3/2016	Liu	D27/101
D767,818 S *	9/2016	Kayvon	D27/162
D767,819 S *	9/2016	Kayvon	D27/162
D771,307 S	11/2016	Wu		



(56)

References Cited

U.S. PATENT DOCUMENTS

D825,844 S * 8/2018 Verleur D27/167
 D826,470 S * 8/2018 Huang D27/167
 D826,471 S * 8/2018 Wang D27/167
 D829,976 S * 10/2018 Stone D27/101
 D832,498 S * 10/2018 Chen D27/101
 2013/0180533 A1 7/2013 Kim et al.
 2014/0360514 A1 12/2014 Zhu
 2015/0189918 A1* 7/2015 Liu H05B 3/03
 131/329
 2015/0189919 A1* 7/2015 Liu A24F 47/008
 131/329
 2015/0257444 A1* 9/2015 Chung A24F 47/008
 131/329
 2015/0257446 A1* 9/2015 Chung A24F 47/008
 131/329
 2015/0282528 A1* 10/2015 Liu A61M 15/06
 131/329
 2015/0282529 A1* 10/2015 Li A24F 47/008
 131/273
 2015/0335073 A1* 11/2015 Li A24F 47/008
 131/329
 2016/0000145 A1* 1/2016 Liu A61M 15/06
 131/329
 2016/0007654 A1* 1/2016 Zhu A24F 47/008
 131/328
 2016/0044966 A1* 2/2016 Li A24F 47/008
 131/329
 2016/0113327 A1* 4/2016 Wu H05B 3/06
 131/329
 2016/0121058 A1 5/2016 Chen

2016/0135505 A1* 5/2016 Li H05B 3/44
 131/329
 2016/0206006 A1* 7/2016 Li H05B 1/0202
 2016/0219934 A1* 8/2016 Li A47F 47/008
 2016/0295920 A1* 10/2016 Liu H05B 3/0014
 2016/0345625 A1* 12/2016 Liu A24F 47/008
 2016/0366938 A1* 12/2016 Wu A24F 47/008
 2017/0006923 A1* 1/2017 Li B67D 99/00
 2017/0013881 A1* 1/2017 Liu A24F 47/008
 2017/0027230 A1* 2/2017 Fornarelli A24F 47/008
 2017/0042229 A1* 2/2017 Liu B65D 25/56
 2017/0065001 A1* 3/2017 Li F16K 15/14
 2017/0071258 A1* 3/2017 Li A24F 47/008
 2017/0105453 A1* 4/2017 Li A24F 47/008
 2017/0127728 A1* 5/2017 Li B05B 7/1686
 2017/0196272 A1* 7/2017 Li A24F 47/008
 2017/0208869 A1* 7/2017 Li F16L 55/115
 2017/0273359 A1* 9/2017 Liu A61M 11/044
 2017/0280770 A1* 10/2017 Wang A24F 47/008
 2018/0000156 A1* 1/2018 Qiu A24F 47/008
 2018/0007961 A1* 1/2018 Zhu A24F 47/008
 2018/0027874 A1* 2/2018 Zhu A24F 47/008
 2018/0027881 A1* 2/2018 Chen A24F 47/008
 2018/0035715 A1* 2/2018 Wu H05B 1/0297
 2018/0035718 A1* 2/2018 Liu A24F 47/00
 2018/0042307 A1* 2/2018 Johnson A24F 47/008
 2018/0049470 A1* 2/2018 Chen A24F 47/008
 2018/0064172 A1* 3/2018 Qiu A24F 47/008
 2018/0116287 A1* 5/2018 Dai A24F 47/008
 2018/0116288 A1* 5/2018 Hu H05B 3/46
 2018/0116289 A1* 5/2018 Qiu A24F 47/008
 2018/0116290 A1* 5/2018 Li A24F 47/008
 2018/0116295 A1* 5/2018 Qiu A47F 47/008
 2018/0255835 A1* 9/2018 Crowe A24F 47/008
 2018/0352861 A1* 12/2018 Qiu A24F 47/008

* cited by examiner

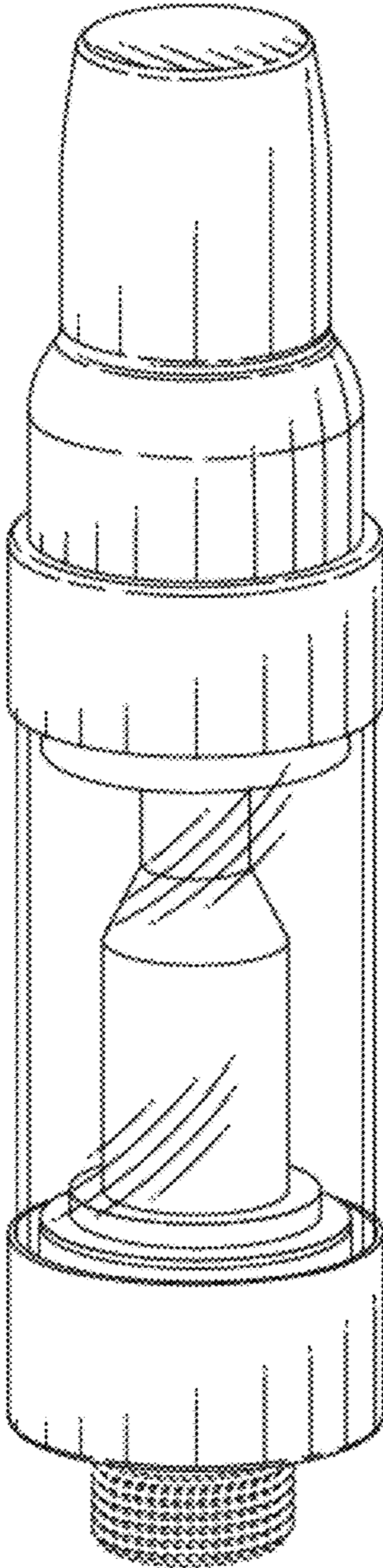


FIG. 1

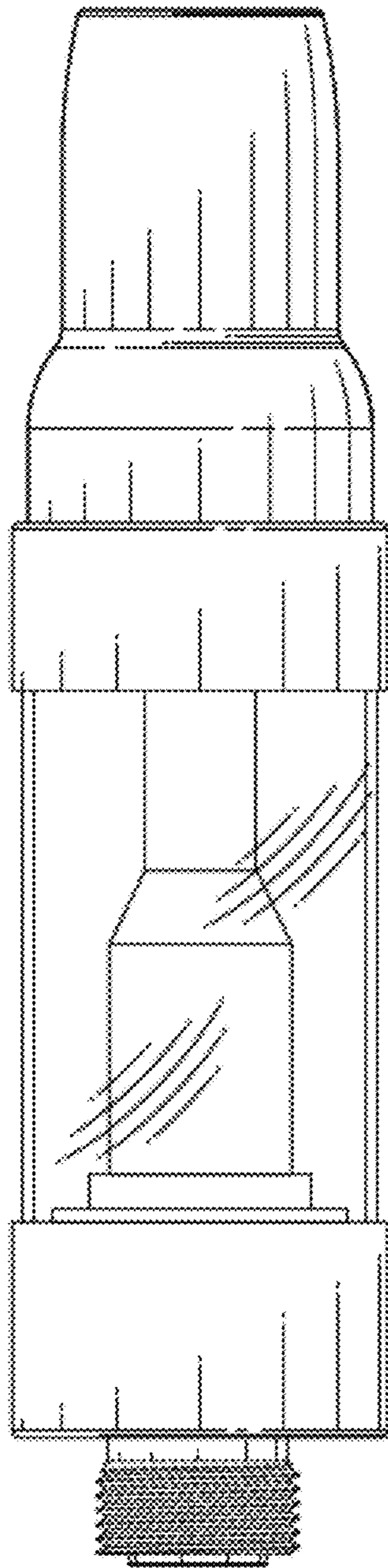


FIG. 2

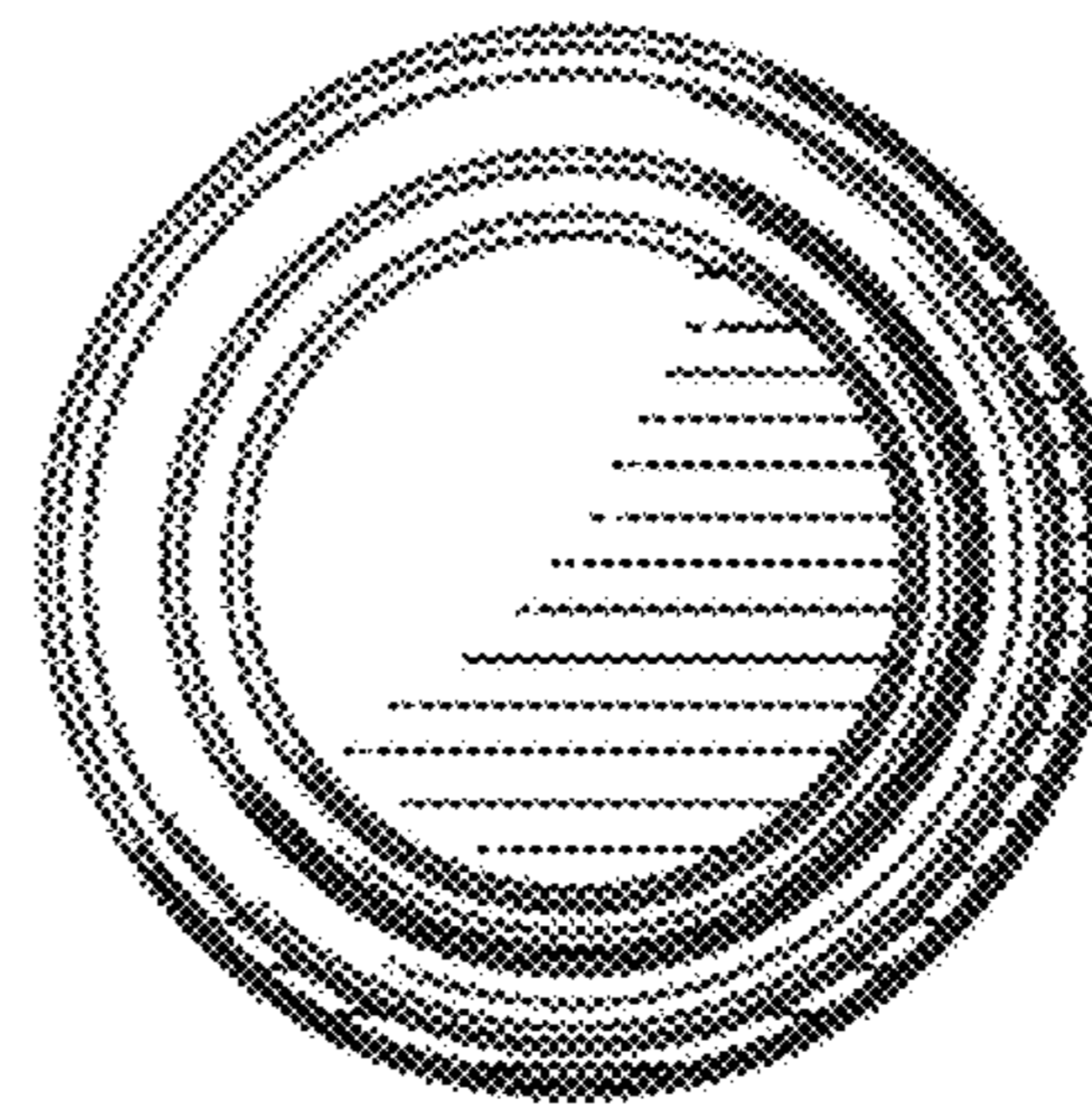


FIG. 3

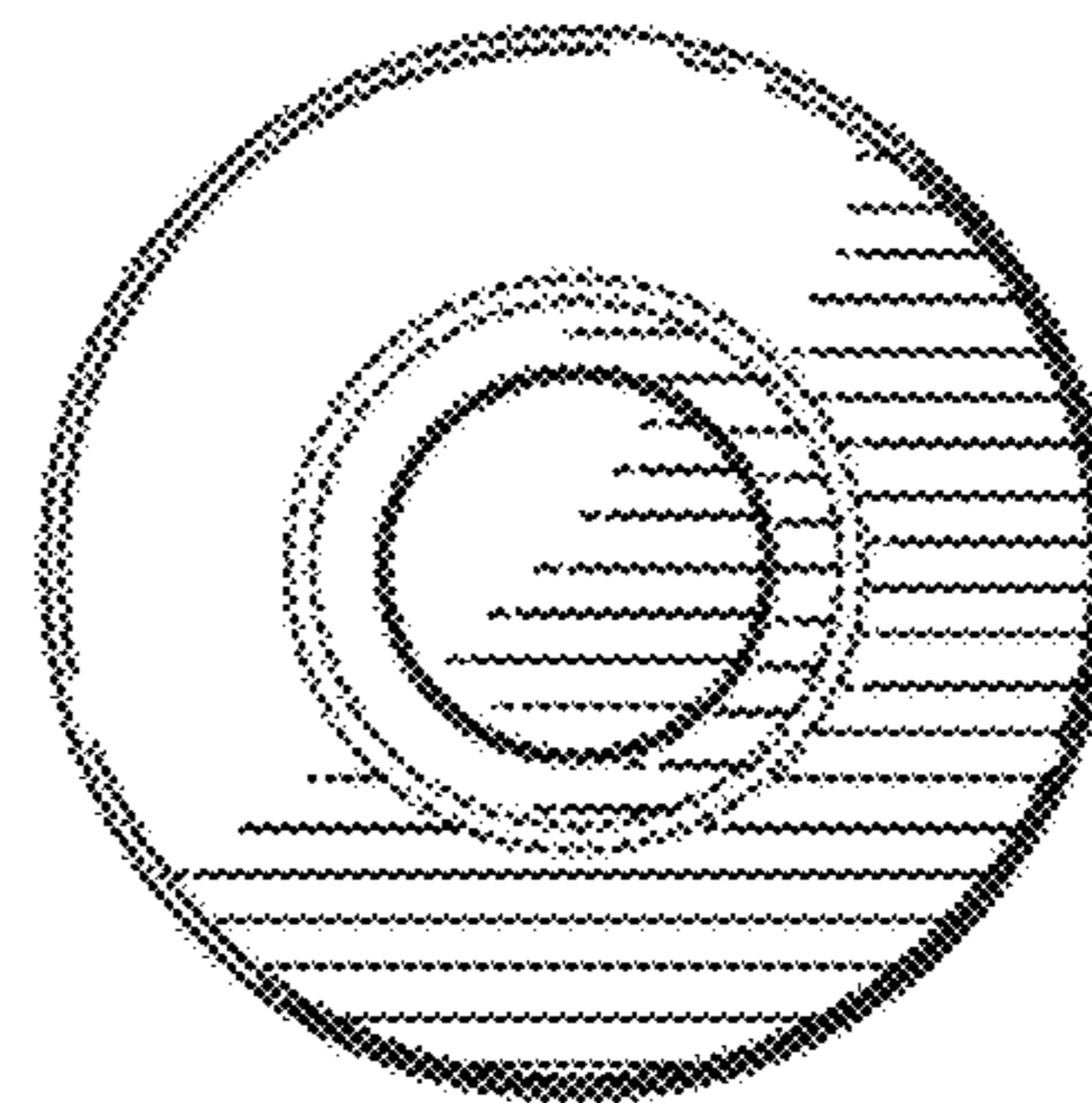


FIG. 4

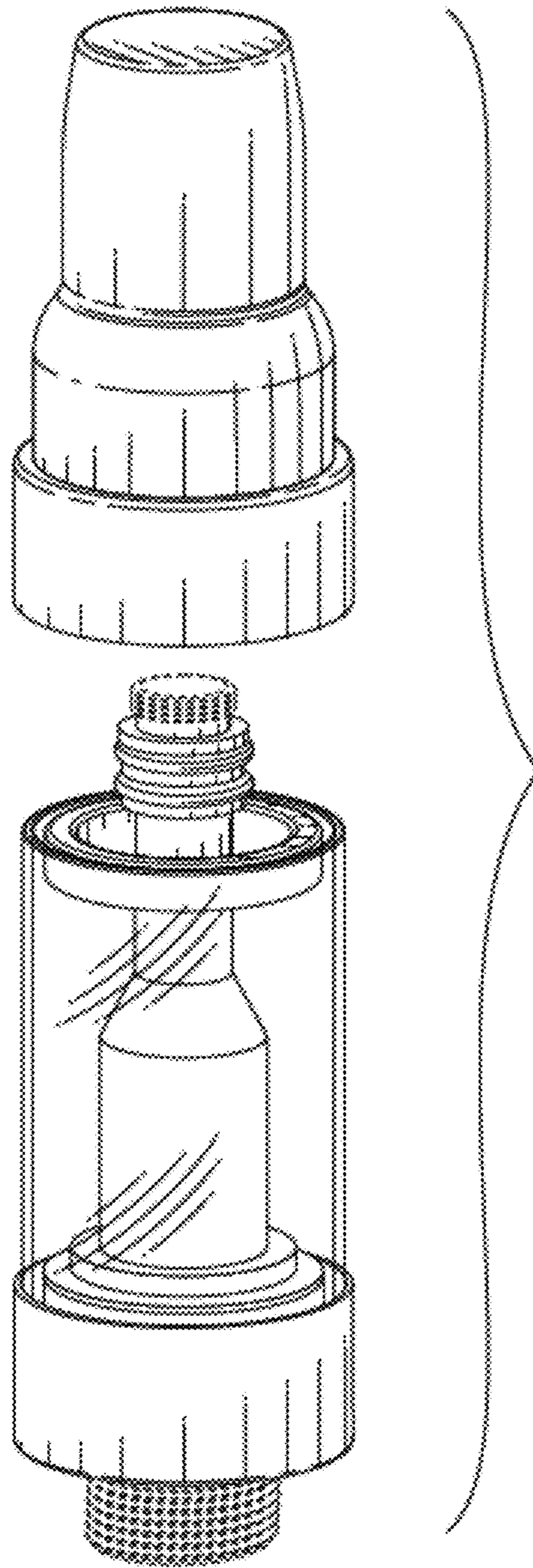


FIG. 5