



US00D867656S

(12) **United States Design Patent**
Bouchard

(10) **Patent No.:** **US D867,656 S**

(45) **Date of Patent:** **** Nov. 19, 2019**

(54) **HOLDER FOR A PIPE AND LIGHTER**

(71) Applicant: **Kyia Bouchard**, Fairbanks, AK (US)

(72) Inventor: **Kyia Bouchard**, Fairbanks, AK (US)

(**) Term: **15 Years**

(21) Appl. No.: **29/679,364**

(22) Filed: **Feb. 5, 2019**

(51) **LOC (12) Cl.** **27-06**

(52) **U.S. Cl.**
USPC **D27/174**

(58) **Field of Classification Search**
USPC D27/100, 101, 162–196; D23/366;
D24/110; D19/101, 106, 115, 165, 195;
D7/416; D3/212, 247; D21/394, 573,
D21/574, 682

CPC A24F 47/00; A24F 47/002; A24F 15/12;
A24F 1/32; A24F 15/18

See application file for complete search history.

(56) **References Cited**

U.S. PATENT DOCUMENTS

D278,452 S *	4/1985	Makhoulia	D21/573
D286,661 S *	11/1986	Barthropp	D21/574
D403,367 S *	12/1998	Lebensfeld	D21/574
D441,410 S *	5/2001	Fernandez	D21/574
D443,903 S *	6/2001	Wang	D21/574
6,615,814 B1 *	9/2003	Rice	F41A 17/06 124/71
D485,393 S *	1/2004	Cervantes	D27/183
6,705,036 B2 *	3/2004	Orr	F41A 19/15 124/31
6,802,305 B1 *	10/2004	Hatcher	F41A 19/10 124/31
D512,109 S *	11/2005	Orr	D21/573
D534,969 S *	1/2007	Orr	D21/573
D535,340 S *	1/2007	Orr	D21/573
D586,953 S *	2/2009	Riggio	D27/125
D590,931 S *	4/2009	Kennedy	D23/366

D590,932 S *	4/2009	Kennedy	D23/366
D616,178 S *	5/2010	Baggenstos	D27/102
D617,495 S *	6/2010	LoRe	D27/172
D617,942 S *	6/2010	LoRe	D27/172
D618,392 S *	6/2010	LoRe	D27/172
D626,285 S *	10/2010	Adame	D27/183

(Continued)

OTHER PUBLICATIONS

Lighter and Pipe Glass Pipe Lighter by RipRangerPipes. earliest review dated Jun. 22, 2019. found online [Jun. 27, 2019] https://www.etsy.com/listing/685225167/lighter-and-pipe-glass-pipe-lighter-and?ref=user_profile.*

(Continued)

Primary Examiner — Marissa J Cash
(74) *Attorney, Agent, or Firm* — RC Trademark Company

(57) **CLAIM**

The ornamental design for a holder for a pipe and lighter, as shown and described.

DESCRIPTION

FIG. 1 is a perspective view of a holder for a pipe and lighter. FIG. 2 is a left side view of the holder for a pipe and lighter of FIG. 1.

FIG. 3 is a right side view of the holder for a pipe and lighter of FIG. 1.

FIG. 4. is front view of the holder for a pipe and lighter of FIG. 1.

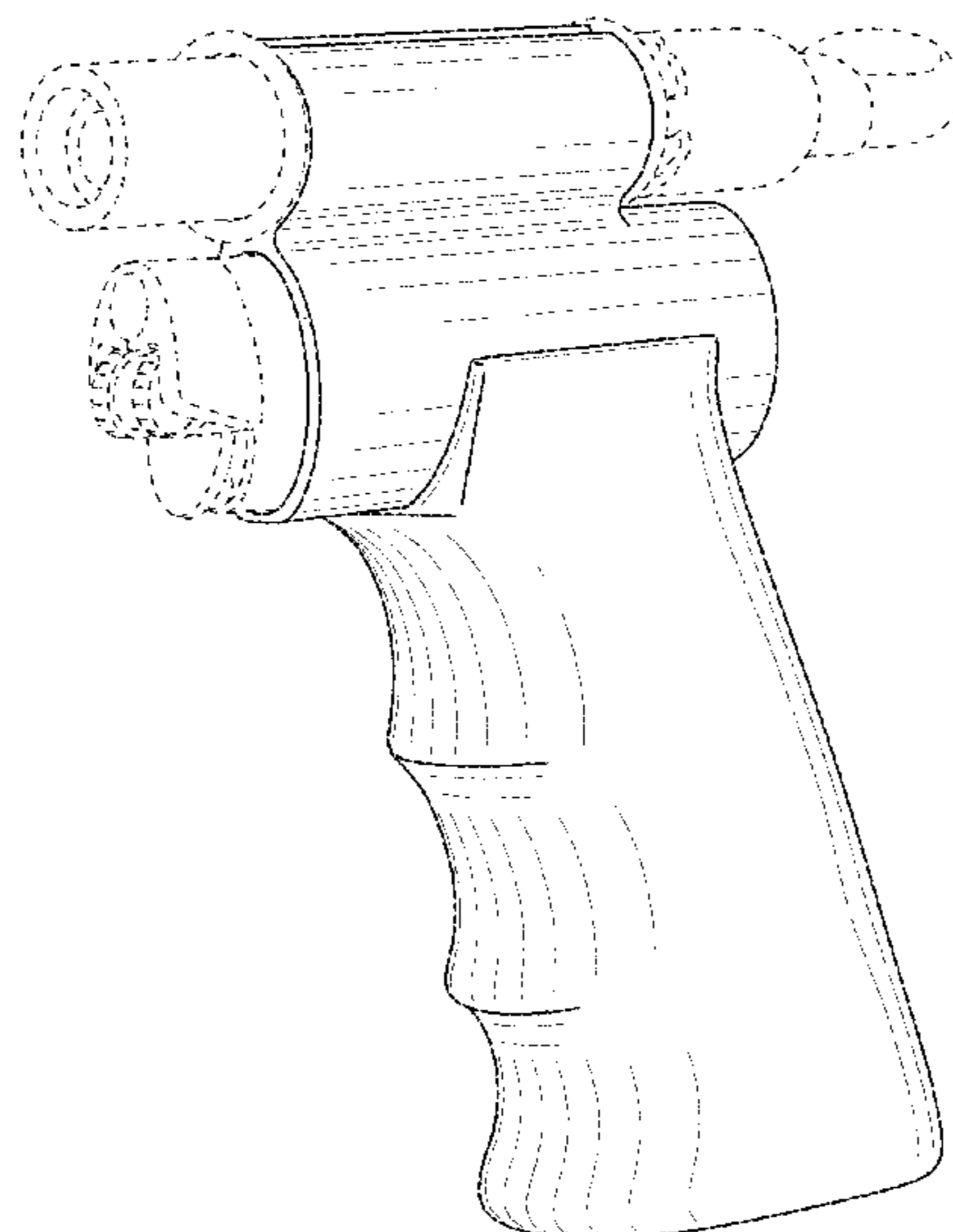
FIG. 5 is a rear view of the holder for a pipe and lighter of FIG. 1.

FIG. 6 is a is top view of the holder for a pipe and lighter of FIG. 1; and,

FIG. 7 is a is bottom view of the holder for a pipe and lighter of FIG. 1.

The broken lines shown in FIG. 1 depict environmental subject matter only and form no part of the claimed design.

1 Claim, 5 Drawing Sheets



(56)

References Cited

U.S. PATENT DOCUMENTS

D636,119	S *	4/2011	Worlock	D27/161
D651,337	S *	12/2011	Bryman	D27/172
D661,015	S *	5/2012	Logue	D27/172
D669,631	S *	10/2012	Monty	D27/136
D735,935	S *	8/2015	Burrell	D27/183
D790,639	S *	6/2017	Yu	D21/573
D802,834	S *	11/2017	Mathias	D27/163
D828,881	S *	9/2018	Lee	D21/574
D837,365	S *	1/2019	Li	D24/110
2005/0051183	A1 *	3/2005	Coulthard	A24F 13/18 131/256
2005/0236005	A1 *	10/2005	Bears	A24F 15/18 131/235.1
2007/0137658	A1 *	6/2007	Molloy	A24F 15/18 131/187
2009/0145448	A1 *	6/2009	Worlock	A24F 13/18 131/185
2015/0272214	A1 *	10/2015	Giller	A24F 47/002 131/329
2015/0305407	A1 *	10/2015	Li	A61M 11/08 131/273
2016/0297341	A1 *	10/2016	Wallace	B60N 3/12
2017/0334605	A1 *	11/2017	Murphy	A24F 15/18
2017/0367406	A1 *	12/2017	Schuler	A24F 47/008

OTHER PUBLICATIONS

Lighter and Pipe Combo. By RipRangerPipes. dated Feb. 20, 2019. found online [Jun. 27, 2019] https://www.bing.com/videos/search?q=rip+ranger+pipes&view=detail&mid=26338689653D8F7F491926338689653D8F7F4919&FORM=VIRE.*

* cited by examiner

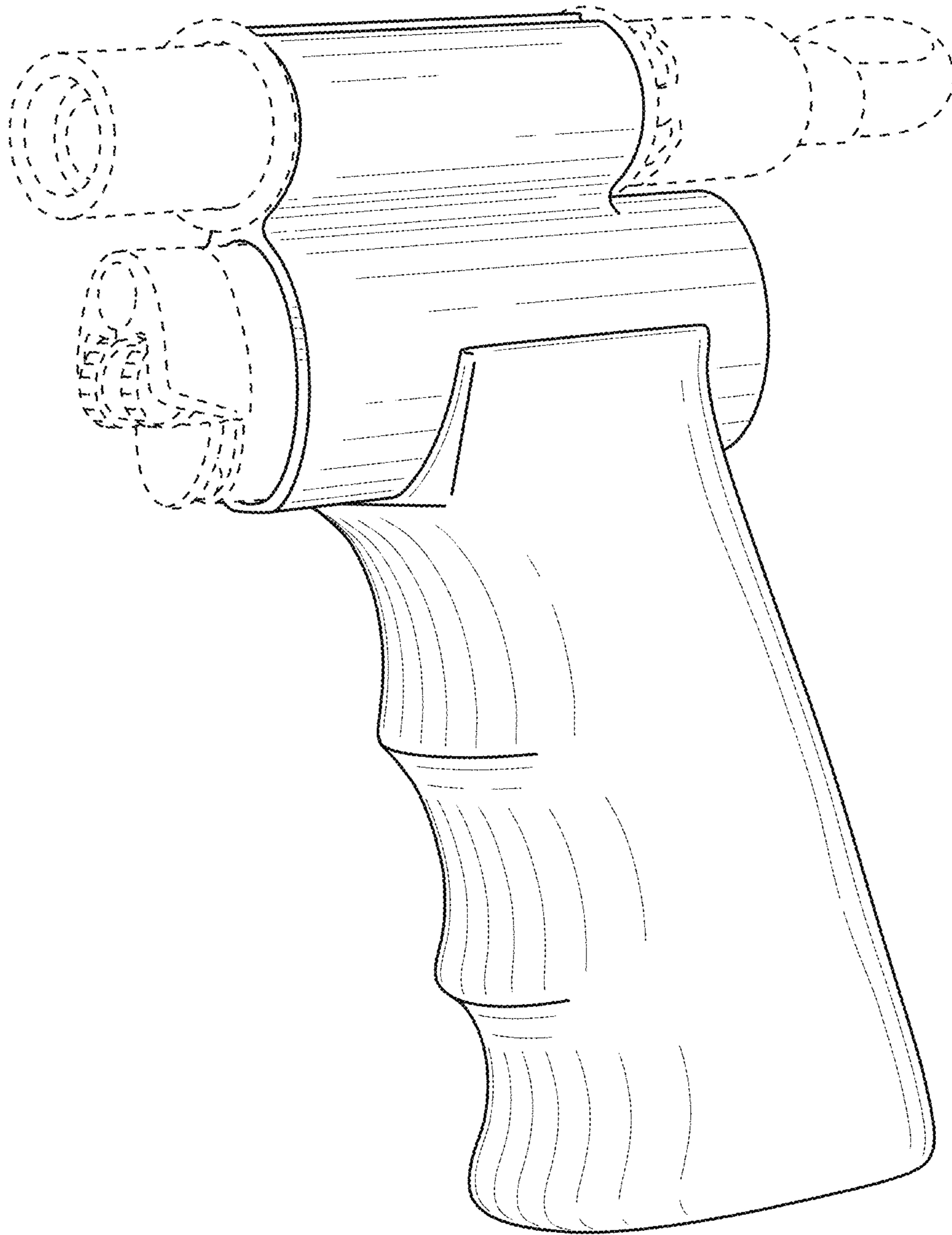


FIG. 1

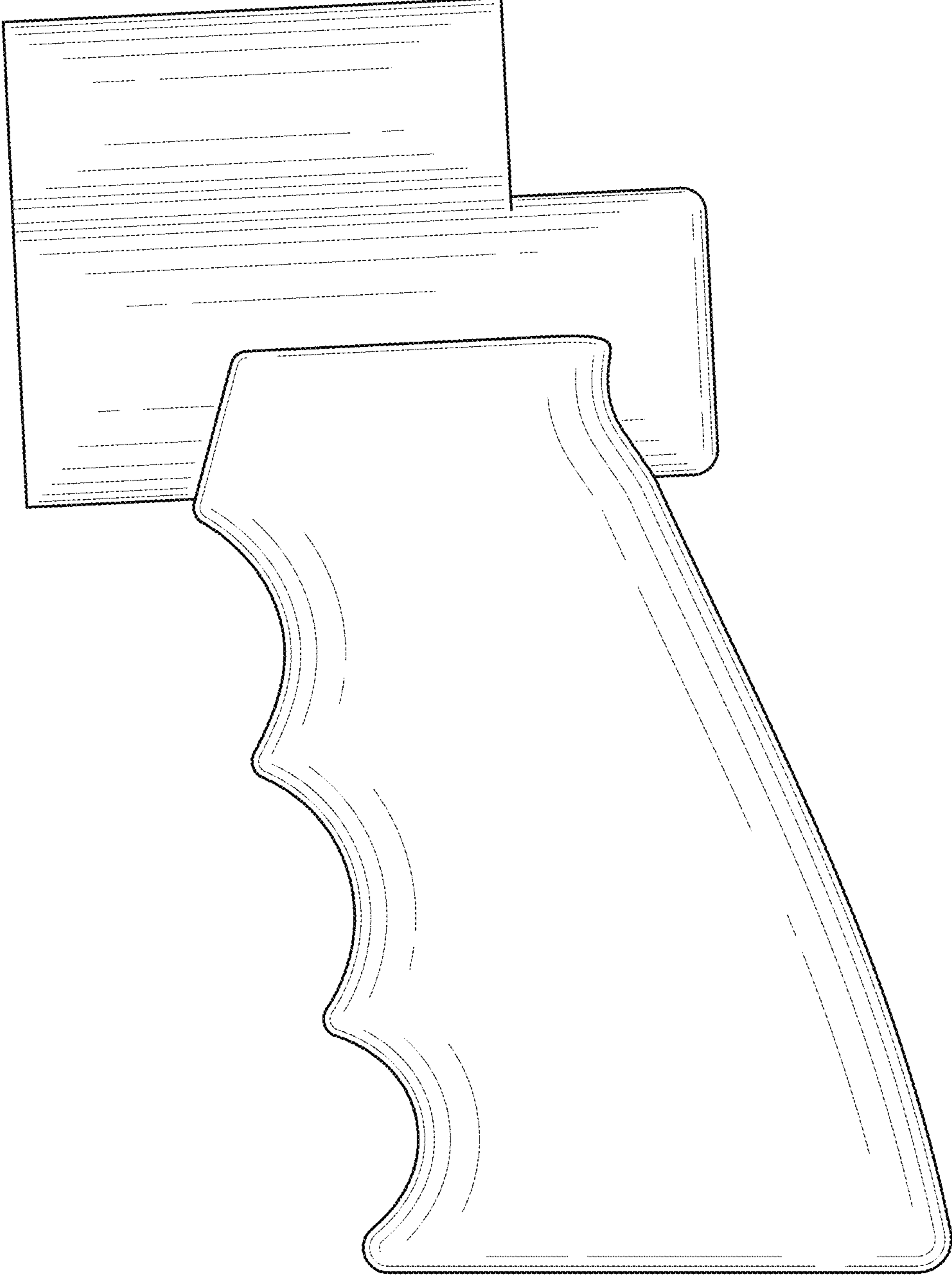


FIG. 2

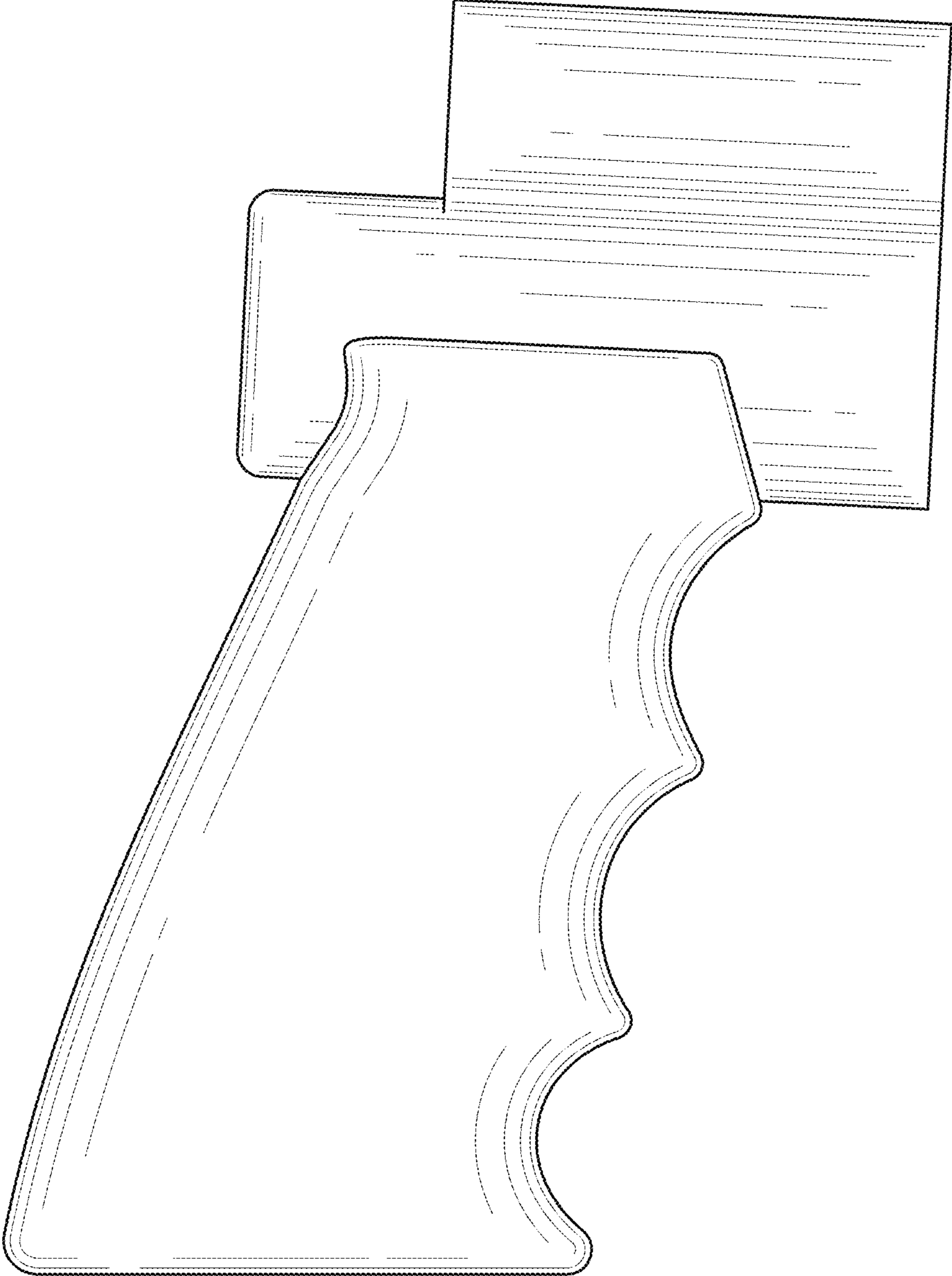


FIG. 3

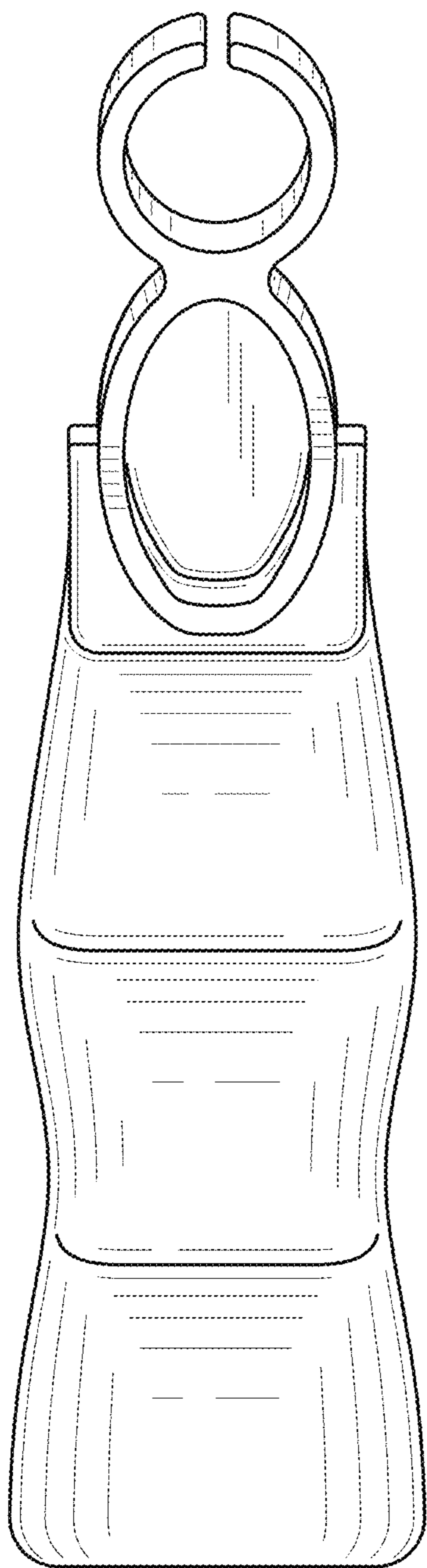


FIG. 4

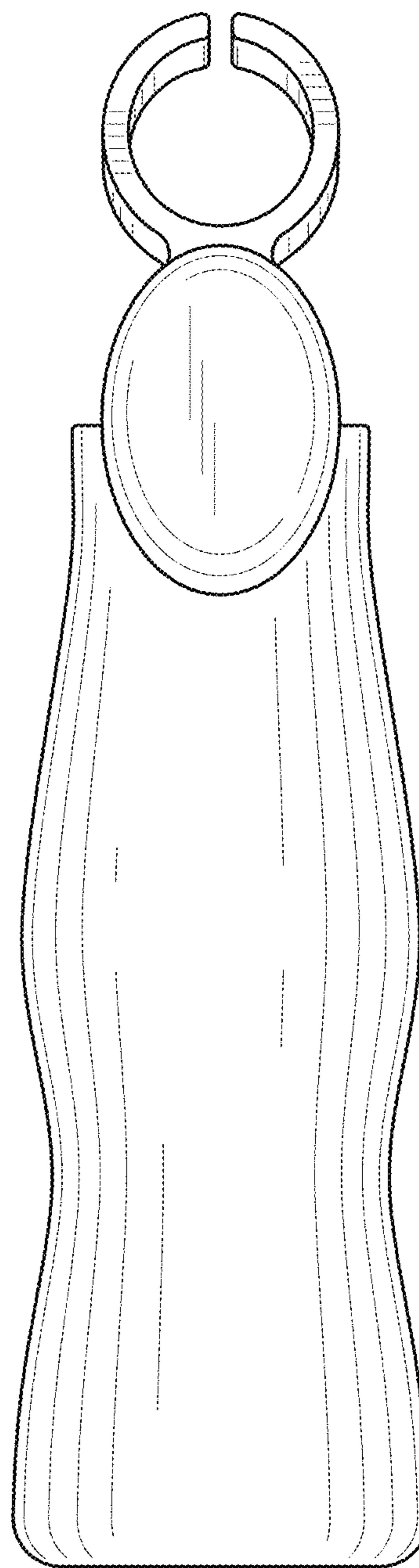


FIG. 5

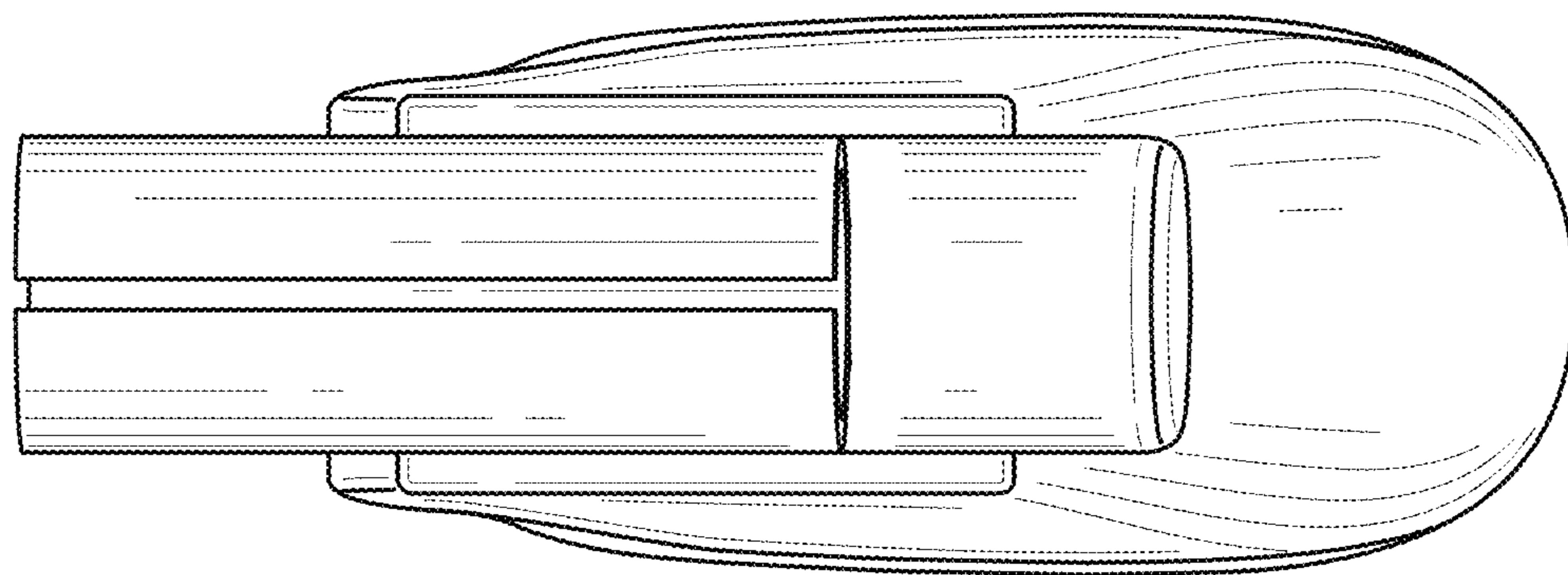


FIG. 6

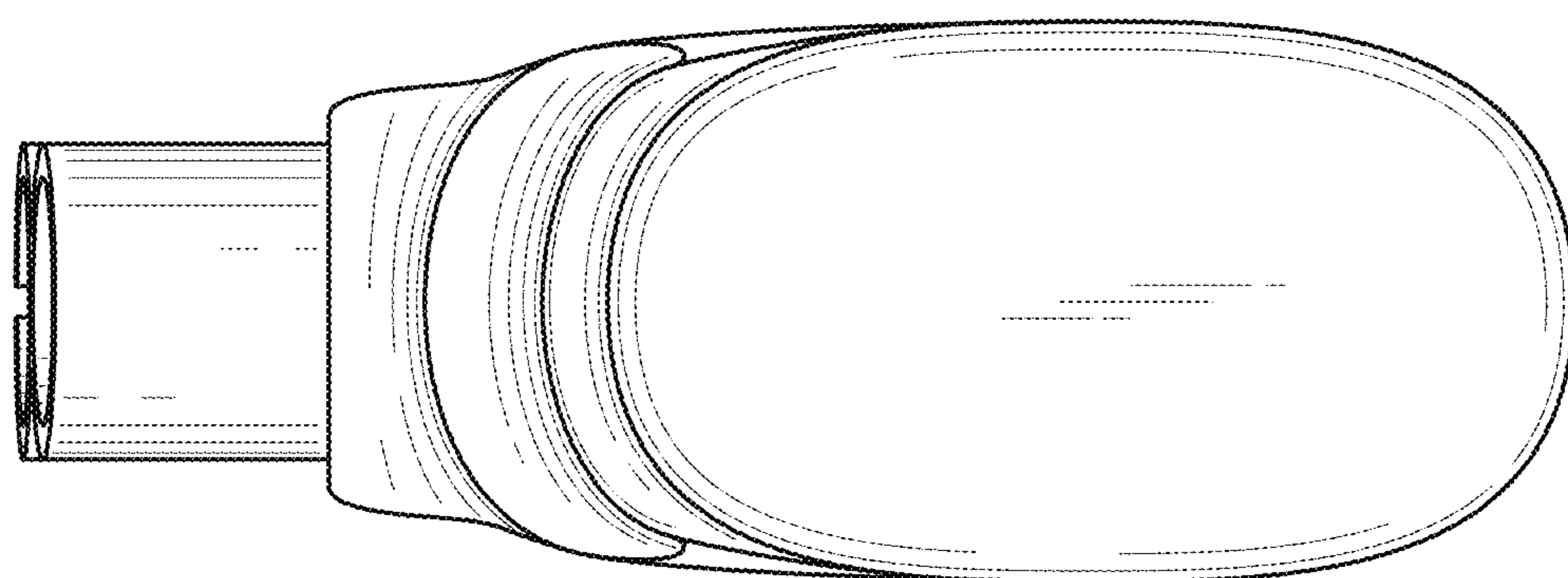


FIG. 7