



US00D867654S

(12) **United States Design Patent** (10) **Patent No.:** **US D867,654 S**
Berry (45) **Date of Patent:** **** Nov. 19, 2019**

(54) **LIGHT FIXTURE MOUNT**
(71) Applicant: **Joshua S. Berry**, Springdale, AR (US)
(72) Inventor: **Joshua S. Berry**, Springdale, AR (US)
(**) Term: **15 Years**
(21) Appl. No.: **29/630,994**
(22) Filed: **Dec. 26, 2017**
(51) **LOC (12) Cl.** **26-05**
(52) **U.S. Cl.**
USPC **D26/142**
(58) **Field of Classification Search**
USPC D26/72, 74, 76, 78-83, 85, 86, 88, 90,
D26/93, 111, 113, 118, 119, 120, 121,
D26/122, 138, 139, 140, 141, 142, 152
CPC F21S 2/00; F21S 4/00; F21S 4/003; F21S
4/005; F21S 4/006; F21S 4/007; F21S
4/008; F21S 6/00; F21S 8/00; F21S
8/024; F21S 8/026; F21S 8/031; F21S
8/033; F21S 8/035-037; F21S 8/04; F21S
8/043; F21S 8/063
See application file for complete search history.

D663,881 S * 7/2012 Janssen D26/74
D677,418 S * 3/2013 Wilson D26/74
D712,088 S * 8/2014 Rogers D26/142
9,004,718 B2 4/2015 Myers
9,220,178 B2 12/2015 O'Connor
D748,842 S * 2/2016 Sakurai D26/89
9,447,917 B1 9/2016 Wronski et al.
D785,853 S * 5/2017 DeBellis D26/138
D785,854 S * 5/2017 DeBellis D26/138
D789,309 S * 6/2017 Akiyama D13/180
9,706,277 B2 7/2017 Tracy
D796,562 S * 9/2017 Iu D15/138
D829,367 S * 9/2018 Momin D26/124
D840,061 S * 2/2019 Kolenda D26/26
D847,769 S * 5/2019 Iino D13/180
2007/0285949 A1 12/2007 Lodhie
2009/0290361 A1 11/2009 Ruud
2010/0284185 A1 11/2010 Ngai
2013/0286667 A1 10/2013 Sampsell et al.

* cited by examiner

Primary Examiner — Natasha Vujcic
(74) *Attorney, Agent, or Firm* — Goldstein Law Offices,
P.C.

(57) **CLAIM**

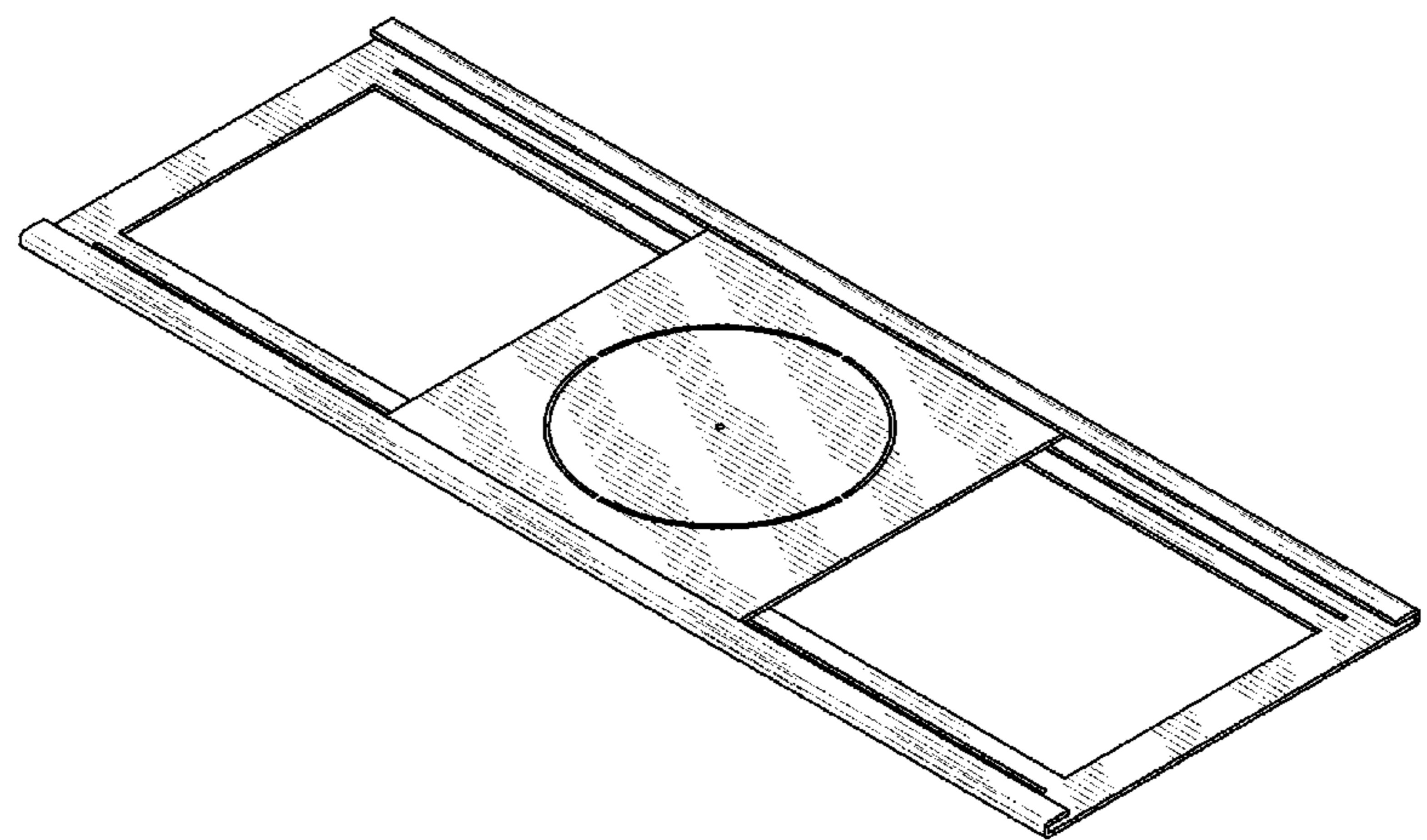
The ornamental design for a light fixture mount, as shown and described.

DESCRIPTION

FIG. 1 is a perspective view of the light fixture mount in full lines.
FIG. 2 is a front elevational view of the light fixture mount.
FIG. 3 is a rear elevational view thereof.
FIG. 4 is a top plan view thereof.
FIG. 5 is a bottom plan view thereof.
FIG. 6 is a right side elevational view thereof; and,
FIG. 7 is a left side elevational view thereof.

1 Claim, 4 Drawing Sheets

(56) **References Cited**
U.S. PATENT DOCUMENTS
D303,019 S * 8/1989 Segill D26/143
6,209,836 B1 4/2001 Swanson
7,513,639 B2 4/2009 Wang
7,643,647 B2 1/2010 Lowell et al.
D628,737 S * 12/2010 van den Akker D26/89
D632,008 S * 2/2011 Kim D26/120
D646,417 S * 10/2011 Wauters D26/63
D650,760 S * 12/2011 Hussell D13/180
8,079,556 B2 12/2011 Fryzek et al.
D658,603 S * 5/2012 Egawa D13/180
D662,653 S * 6/2012 Hochman D26/138



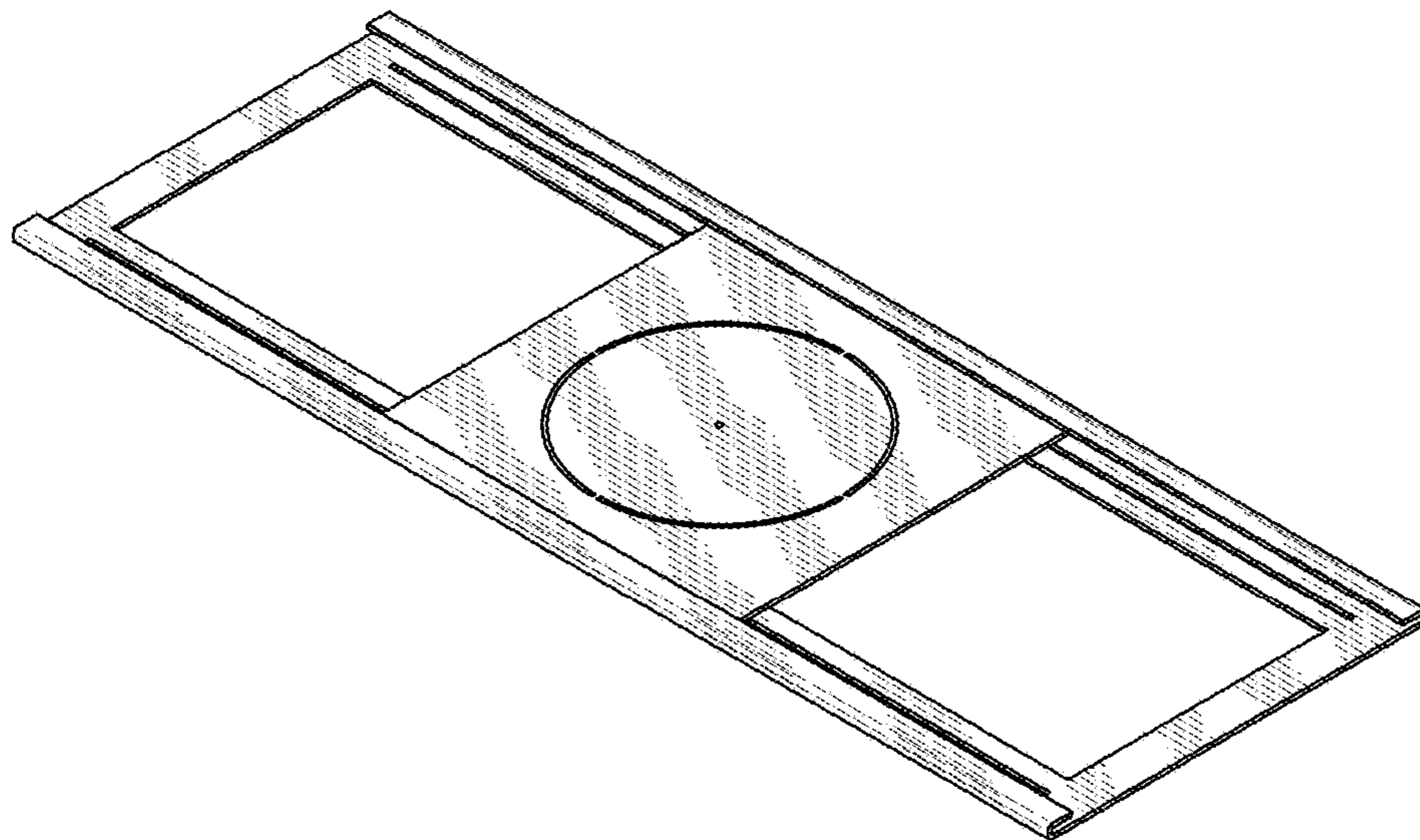


FIG. 1

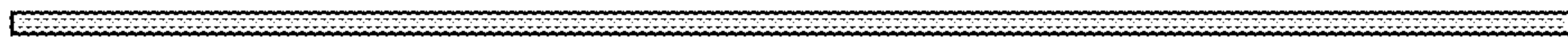


FIG. 2

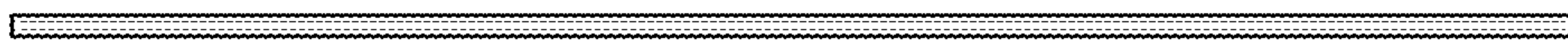


FIG. 3

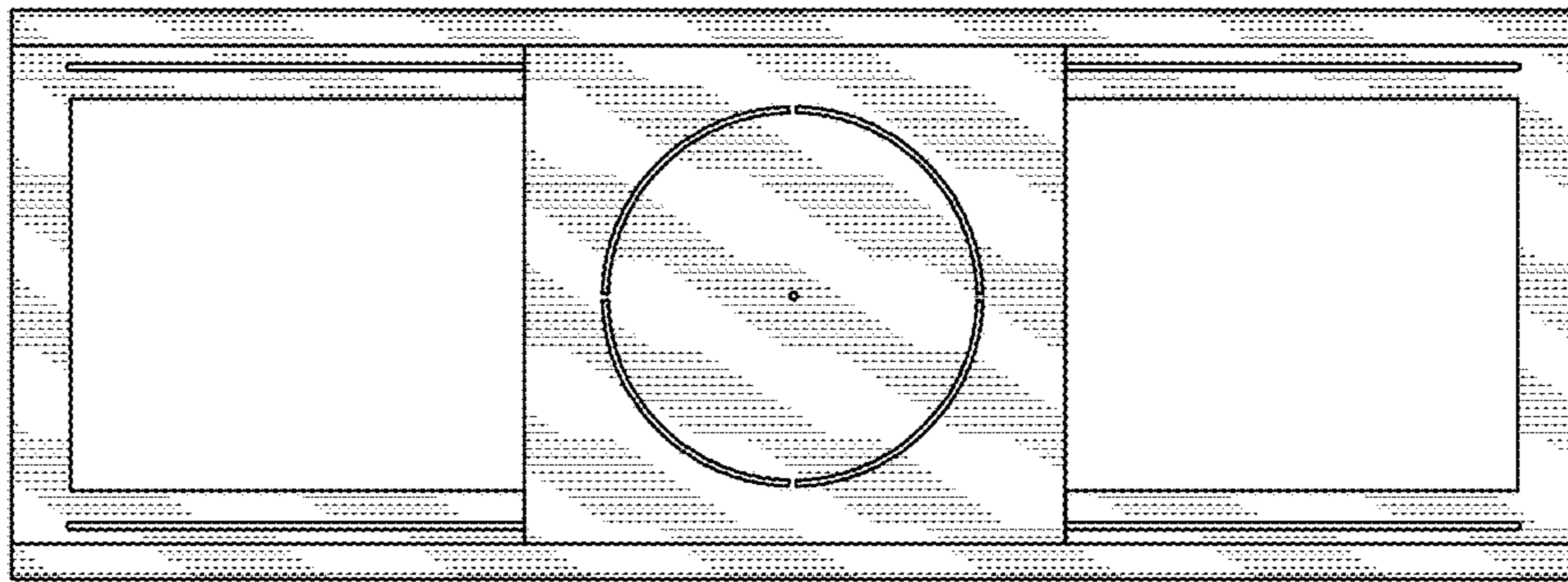


FIG. 4

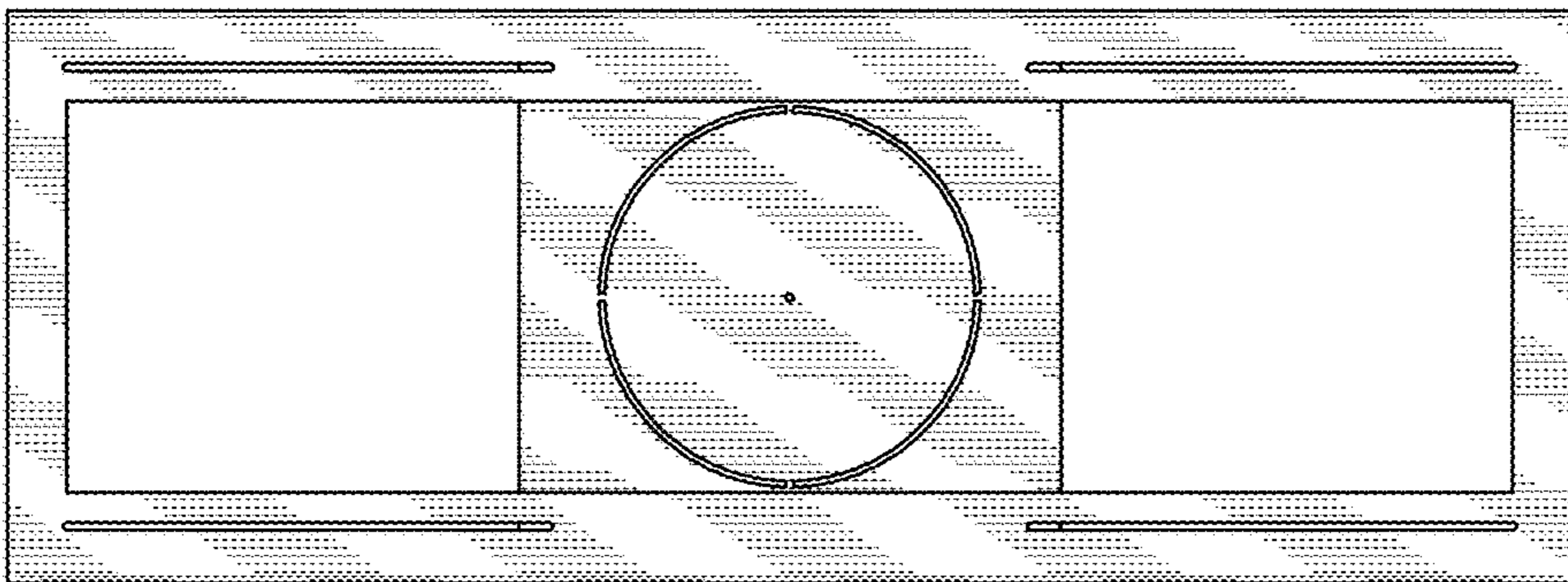


FIG. 5

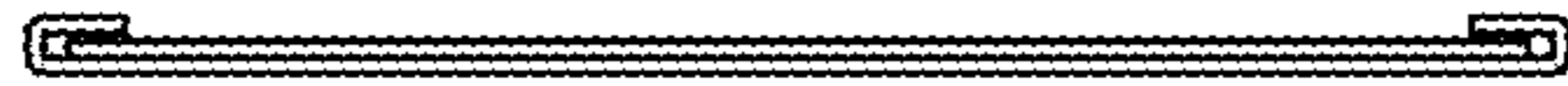


FIG. 6



FIG. 7