



US00D867653S

(12) **United States Design Patent**
Gorman

(10) **Patent No.:** **US D867,653 S**

(45) **Date of Patent:** **** Nov. 19, 2019**

(54) **END CAP FOR MOUNTING AN LED LIGHT
BAR FRAME IN A SIGN**

D827,915 S *	9/2018	Wilson	D26/138
D840,070 S *	2/2019	Cramer	D26/37
D840,072 S *	2/2019	Yuan	D26/37
D847,414 S *	4/2019	Danesh	F21S 8/026
			D26/138
D850,682 S *	6/2019	DeBrunner	D26/40

(71) Applicant: **General LED Opco, LLC**, San Antonio, TX (US)

(72) Inventor: **Aaron Gorman**, New Braunfels, TX (US)

(73) Assignee: **General LED Opco, LLC**, San Antonio, TX (US)

(**) Term: **15 Years**

(21) Appl. No.: **29/662,872**

(22) Filed: **Sep. 10, 2018**

(51) **LOC (12) Cl.** **26-05**

(52) **U.S. Cl.**
USPC **D26/138**

(58) **Field of Classification Search**
USPC D26/1, 24, 26-28, 37-50, 35, 36, 61, 62,
D26/63, 64, 65, 66, 71, 72, 73, 74, 75,
D26/87, 89, 76, 78, 79, 80, 81, 82, 83,
D26/85, 86, 88, 90, 113, 118, 119, 120,
D26/121

CPC F21S 2/00; F21S 4/00; F21S 4/003; F21S
4/005; F21S 4/006; F21S 6/00; F21S
8/00; F21S 8/024

See application file for complete search history.

(56) **References Cited**

U.S. PATENT DOCUMENTS

D297,265 S *	8/1988	Ingram, II	D13/108
D297,266 S *	8/1988	Ingram, II	D26/46
D361,144 S *	8/1995	Loiselet	D26/44
D636,117 S *	4/2011	Kim	D26/138
D647,665 S *	10/2011	Duster	D26/138
D796,733 S *	9/2017	LaDuca	D26/138
D800,957 S *	10/2017	Eder	D26/138
D824,089 S *	7/2018	Dupras	D26/138

* cited by examiner

Primary Examiner — Mark A Goodwin

Assistant Examiner — Benjamin M Weeks

(74) *Attorney, Agent, or Firm* — William H. Quirk; Jesse Frizzell; Rosenthal Pauerstein Sandoloski Agather LLP

(57) **CLAIM**

I claim the ornamental design for an end cap for mounting an LED light bar frame in a sign, substantially as shown and described.

DESCRIPTION

FIG. 1 is a front perspective view of the end cap for mounting an LED light bar frame in a sign in accordance with the present design.

FIG. 2 is a front elevational view of the end cap for mounting an LED light bar frame in a sign of FIG. 1.

FIG. 3 is a rear elevational view of the end cap for mounting an LED light bar frame in a sign of FIG. 1.

FIG. 4 is a right side elevational view of the end cap for mounting an LED light bar frame in a sign of FIG. 1.

FIG. 5 is a left side elevational view of the end cap for mounting an LED light bar frame in a sign of FIG. 1.

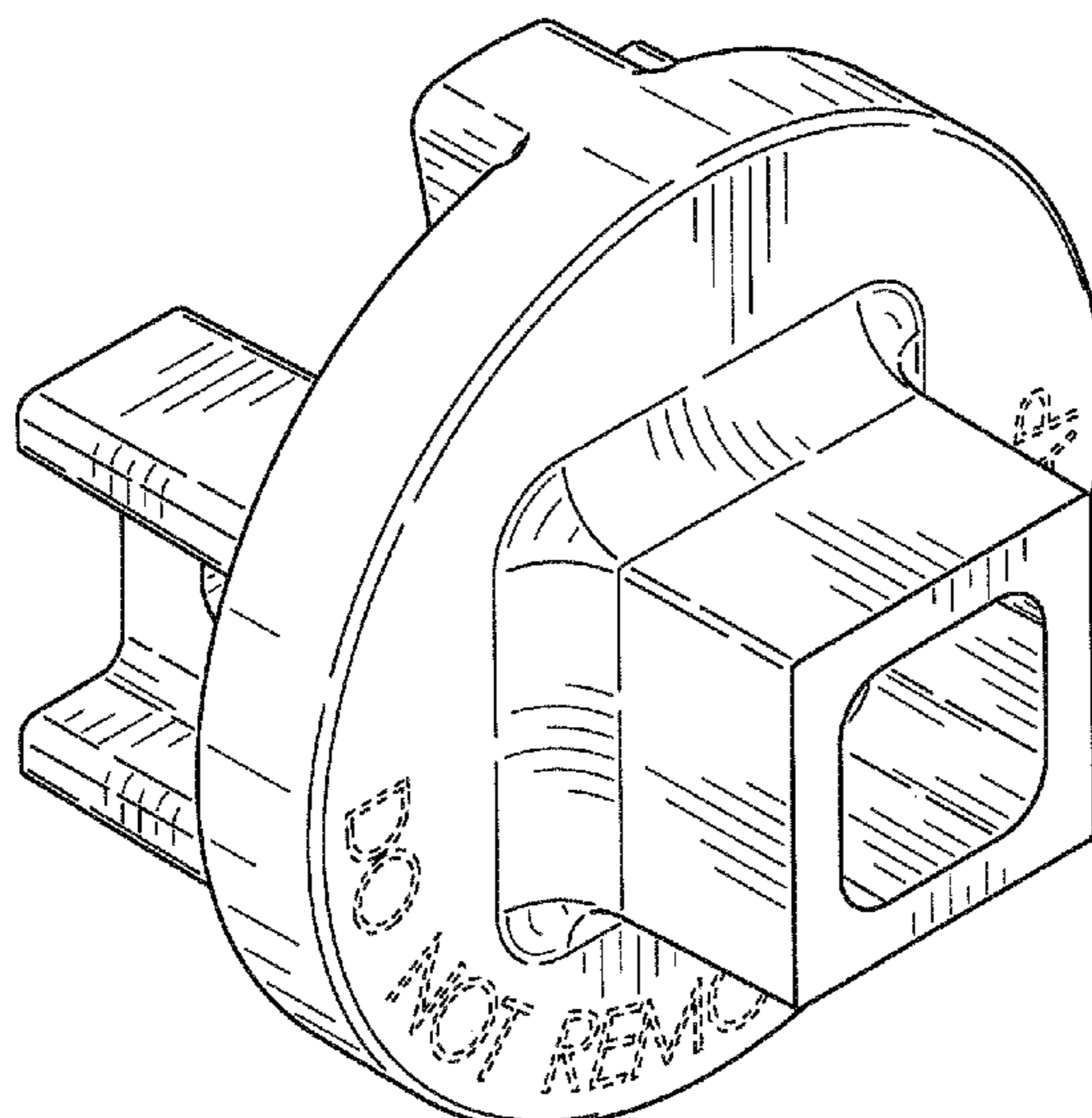
FIG. 6 is a top plan view of the end cap for mounting an LED light bar frame in a sign of FIG. 1.

FIG. 7 is a bottom plan view of the end cap for mounting an LED light bar frame in a sign of FIG. 1; and,

FIG. 8 is a rear perspective view of the end cap for mounting an LED light bar frame in a sign of FIG. 1.

The broken lines shown on the drawing views are for the purpose of illustrating environmental structure and form no part of the claimed design.

1 Claim, 5 Drawing Sheets



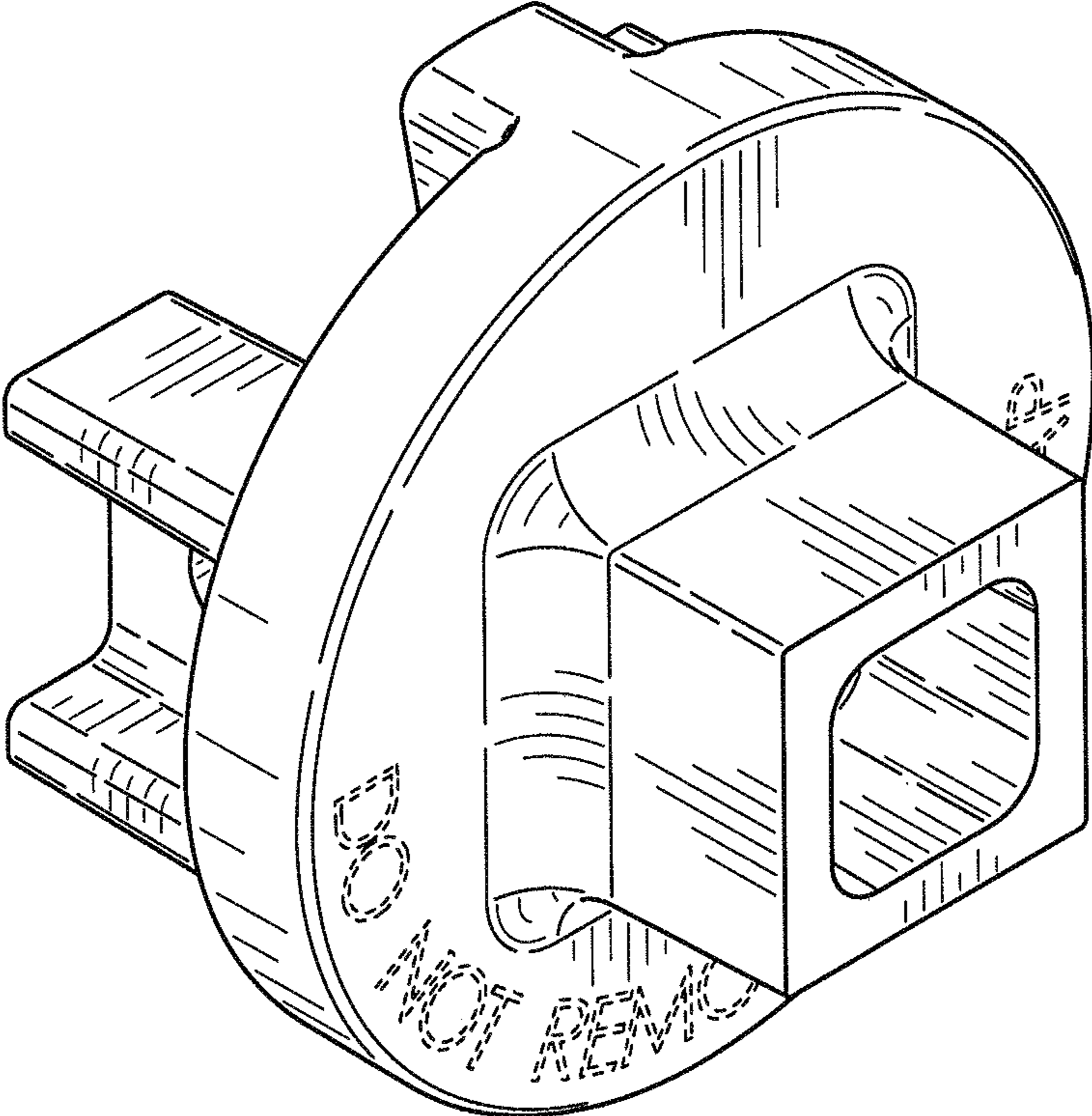


FIG. 1

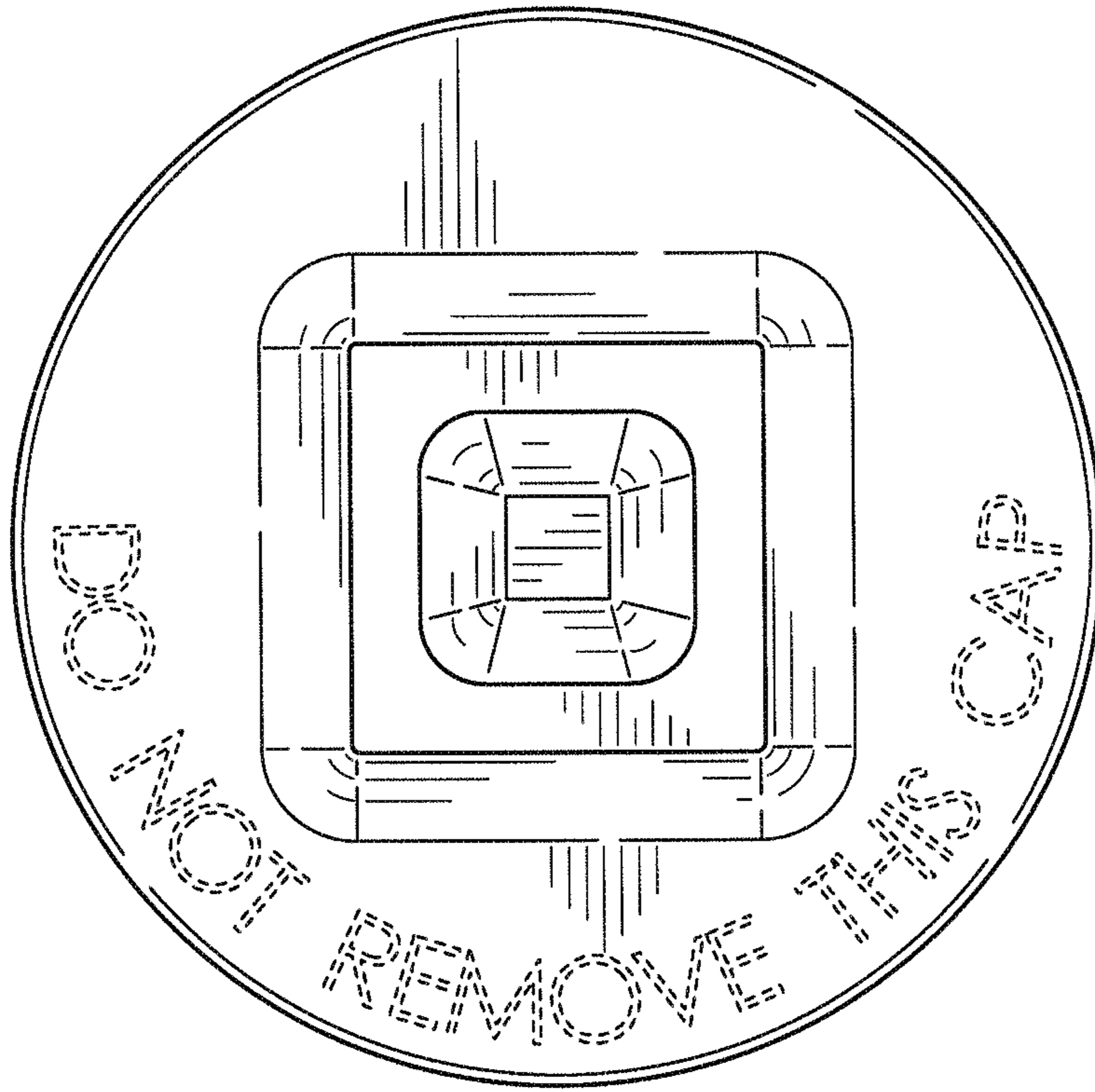


FIG. 2

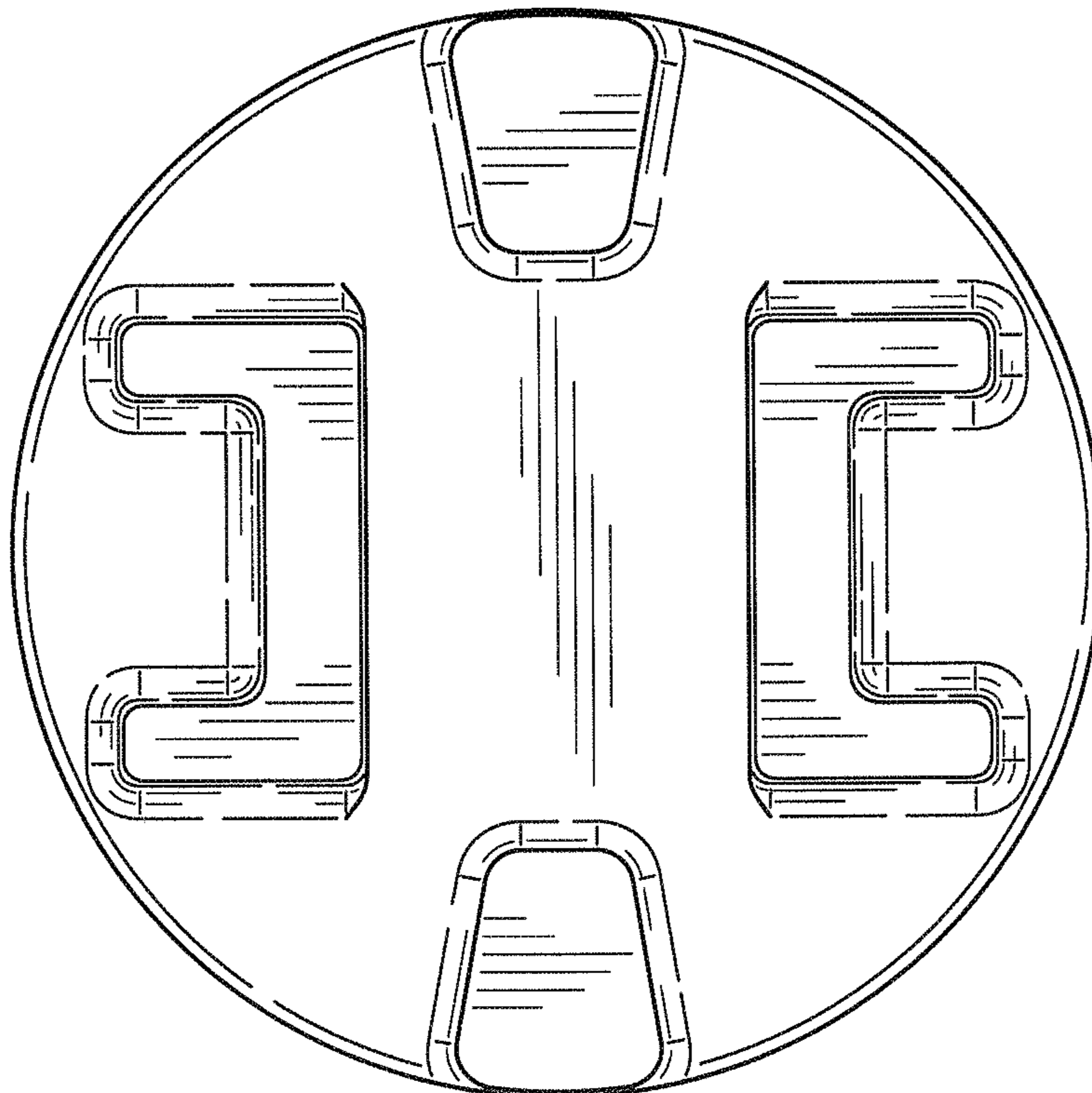


FIG. 3

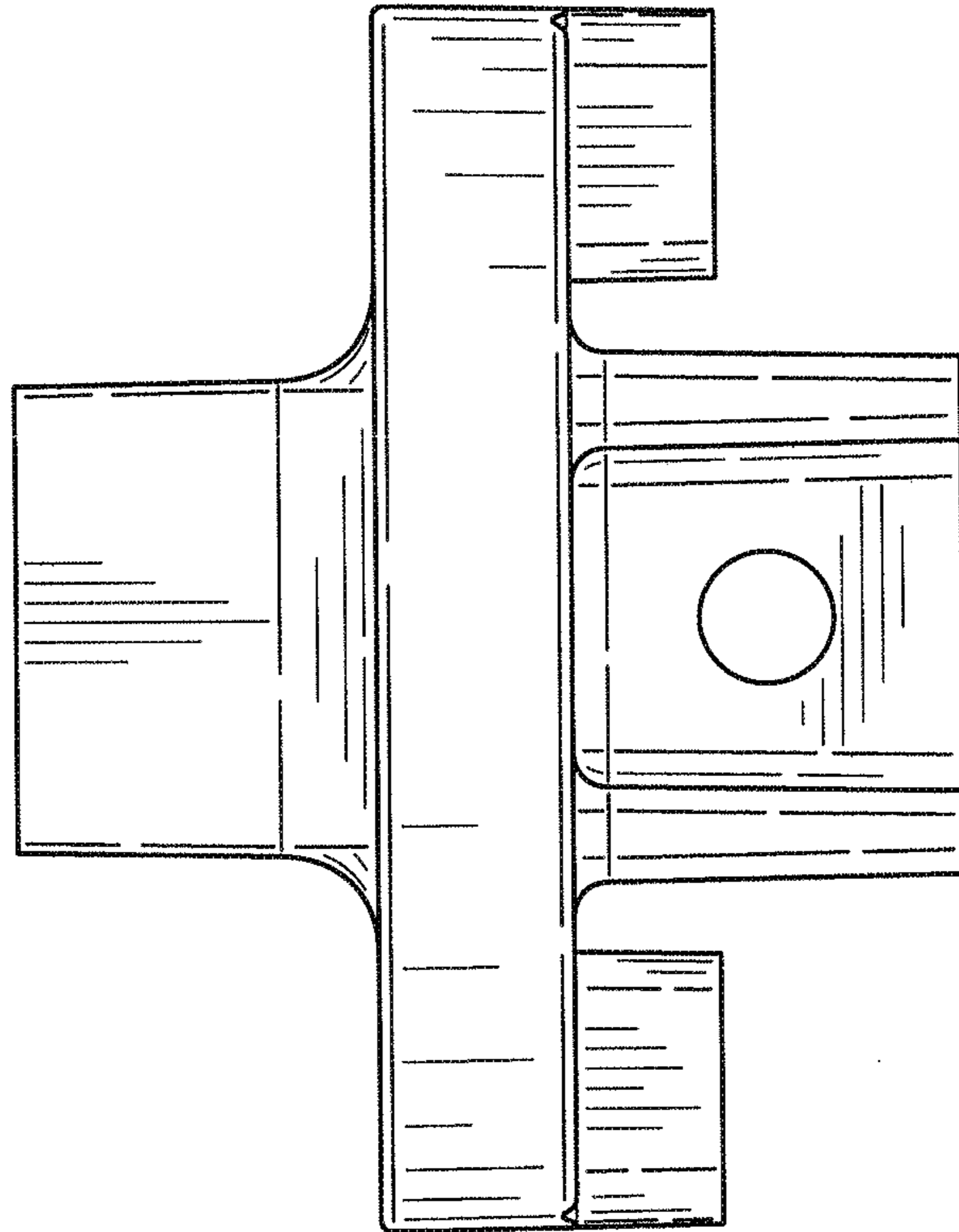


FIG. 4

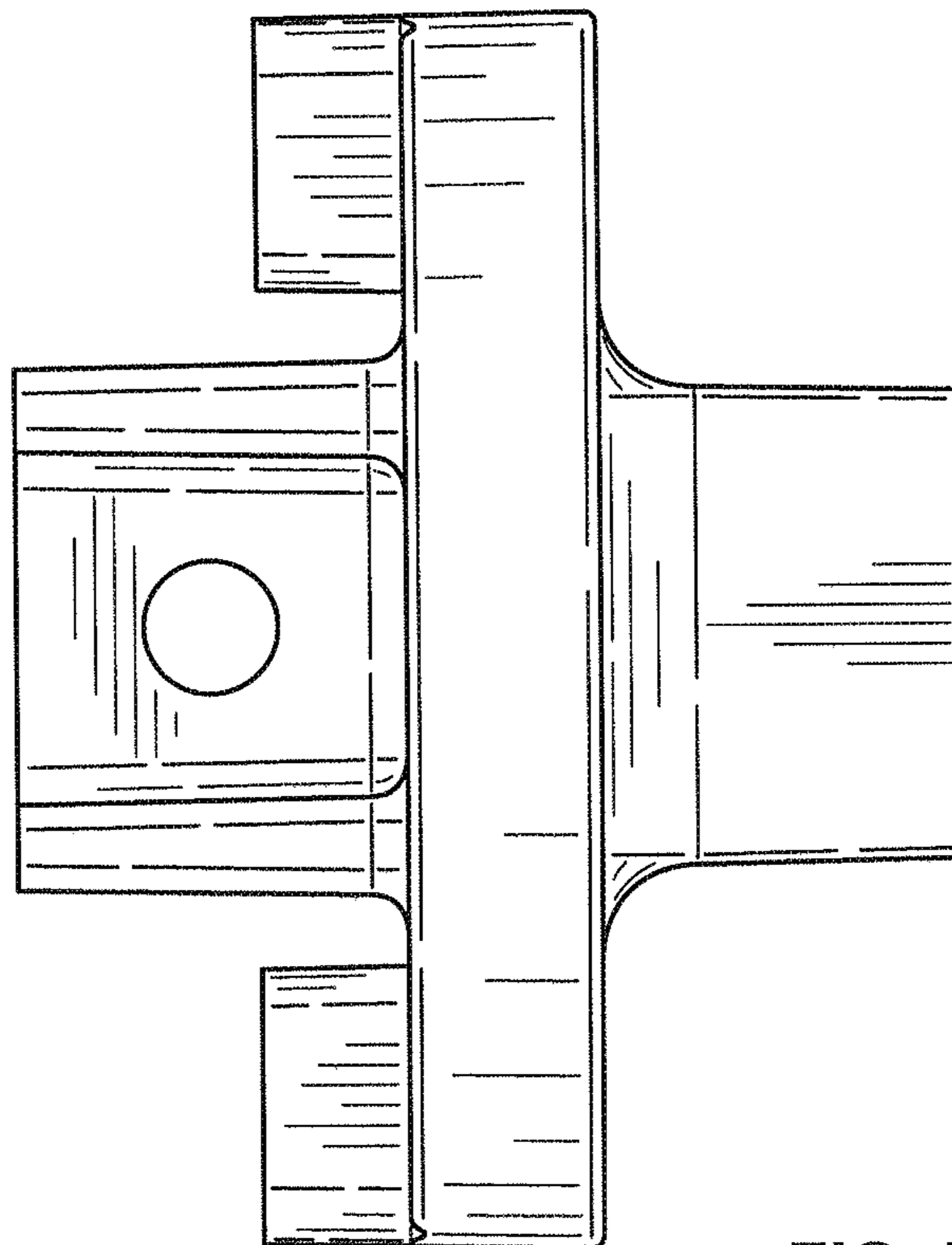


FIG. 5

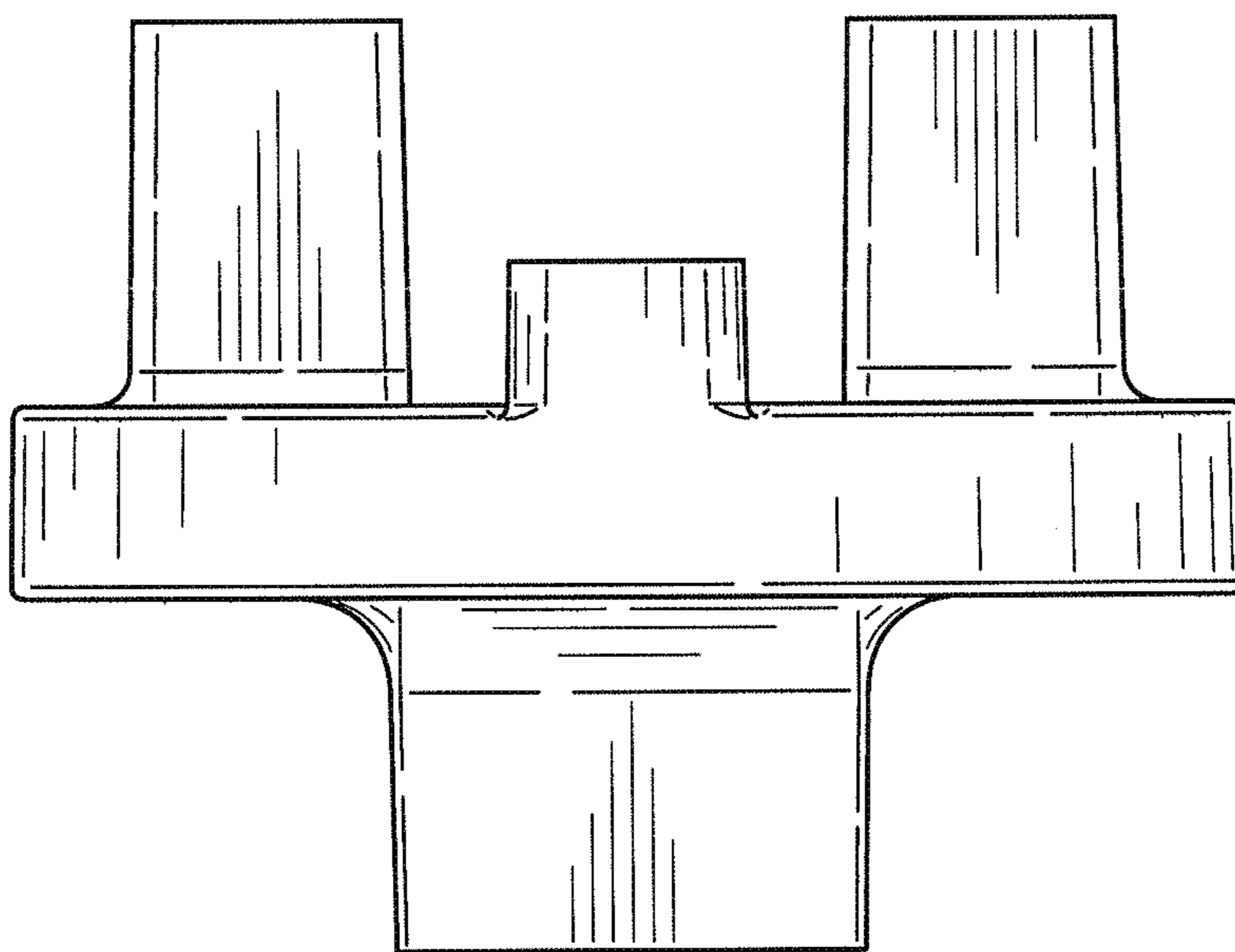


FIG. 6

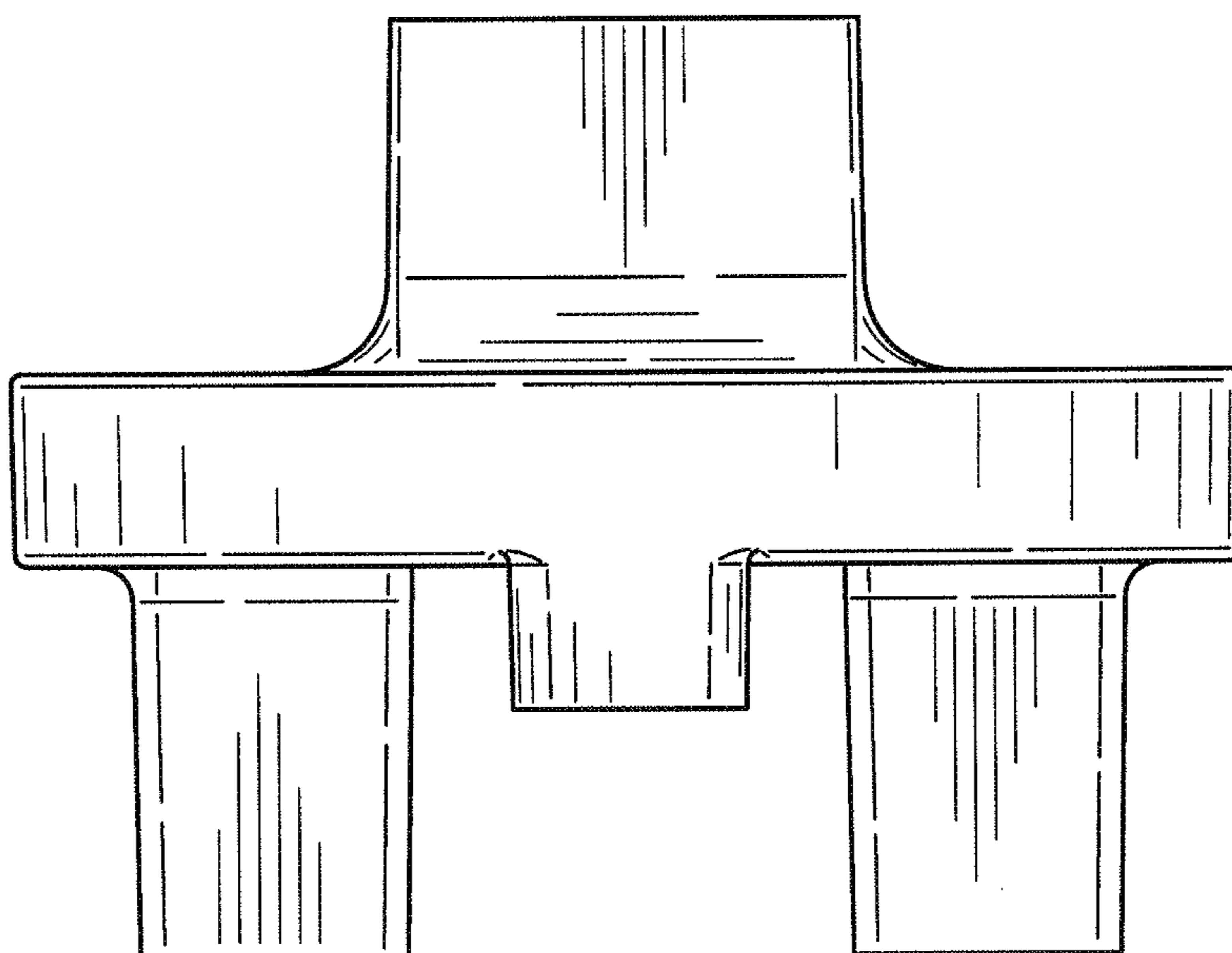


FIG. 7

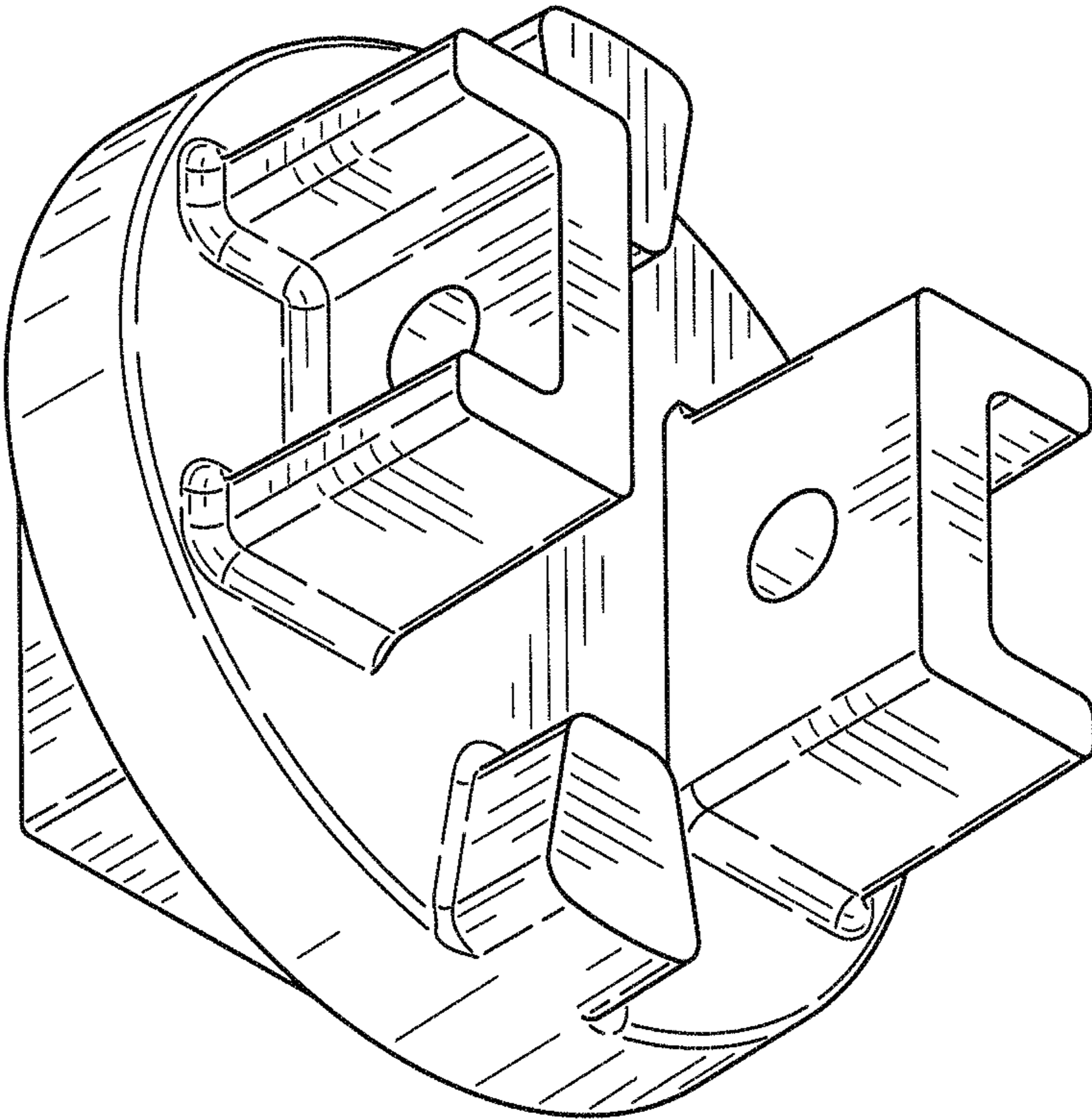


FIG. 8