

US00D867652S

(12) **United States Design Patent** (10) **Patent No.:** **US D867,652 S**  
**Sekowski et al.** (45) **Date of Patent:** **\*\* Nov. 19, 2019**

(54) **LIGHT FIXTURE**

(71) Applicant: **ABL IP Holding LLC**, Atlanta, GA (US)

(72) Inventors: **Daniel Vincent Sekowski**, Loganville, GA (US); **Luke J. Siefker**, McDonough, GA (US); **Jeffrey Chase Carpenter**, Atlanta, GA (US); **Doyle Scott Butler**, Atlanta, GA (US)

(73) Assignee: **ABL IP Holding LLC**, Atlanta, GA (US)

(\*\*) Term: **15 Years**

(21) Appl. No.: **29/631,989**

(22) Filed: **Jan. 4, 2018**

(51) **LOC (12) Cl.** ..... **26-03**

(52) **U.S. Cl.**  
USPC ..... **D26/118**

(58) **Field of Classification Search**  
USPC ..... D26/72, 74, 80, 84, 88, 89, 118, 128  
CPC ..... F21S 8/026; F21S 8/04; F21V 29/004;  
F21V 29/2212; F21V 29/83; F21V 21/02;  
F21V 21/04; F21V 7/00; F21V 7/22;  
F21V 37/002; F21L 19/00; F23D 11/443;  
F21Y 2101/02; A61L 9/037

See application file for complete search history.

(56) **References Cited**

**U.S. PATENT DOCUMENTS**

- D147,567 S \* 9/1947 Schwartz ..... D26/123
- D282,973 S \* 3/1986 Kempton ..... D26/140
- D581,089 S \* 11/2008 St-Hilaire ..... D26/118
- D584,442 S \* 1/2009 Benensohn ..... D26/79
- D608,044 S \* 1/2010 Pickett ..... D26/128
- D622,170 S \* 8/2010 Cargile ..... D10/106.5
- D659,897 S \* 5/2012 Nevins ..... D26/118
- D705,473 S \* 5/2014 Messisaen ..... D26/74
- D705,978 S \* 5/2014 Rhodes ..... D26/89

- D723,728 S \* 3/2015 Jeswani ..... D26/74
- D736,986 S \* 8/2015 Hadrath ..... D26/118
- D741,535 S 10/2015 Wright
- D746,508 S \* 12/2015 Deluca ..... D26/118
- D751,246 S \* 3/2016 Yao ..... D26/118
- D768,911 S \* 10/2016 Deluca ..... D26/118
- D804,709 S \* 12/2017 Reynolds ..... D26/118

**FOREIGN PATENT DOCUMENTS**

CN 304355226 \* 11/2017

**OTHER PUBLICATIONS**

VCPG LED Parking Garage Luminaire <https://www.acuitybrands.com/products/detail/846006/lithonia-lighting/vcpg-led-parking-garage-luminaire/visually-comfortable-luminaire-ideal-for-parking-garages-and-canopies> Jun. 2018 (Year: 2018).\*

(Continued)

*Primary Examiner* — Leanne Was-Englehart

(74) *Attorney, Agent, or Firm* — Kilpatrick Townsend & Stockton LLP

(57) **CLAIM**

The ornamental design for an light fixture, as shown and described.

**DESCRIPTION**

FIG. 1 is a perspective view, as seen from above, of the light fixture.

FIG. 2 is a perspective view, as seen from below, of the light fixture.

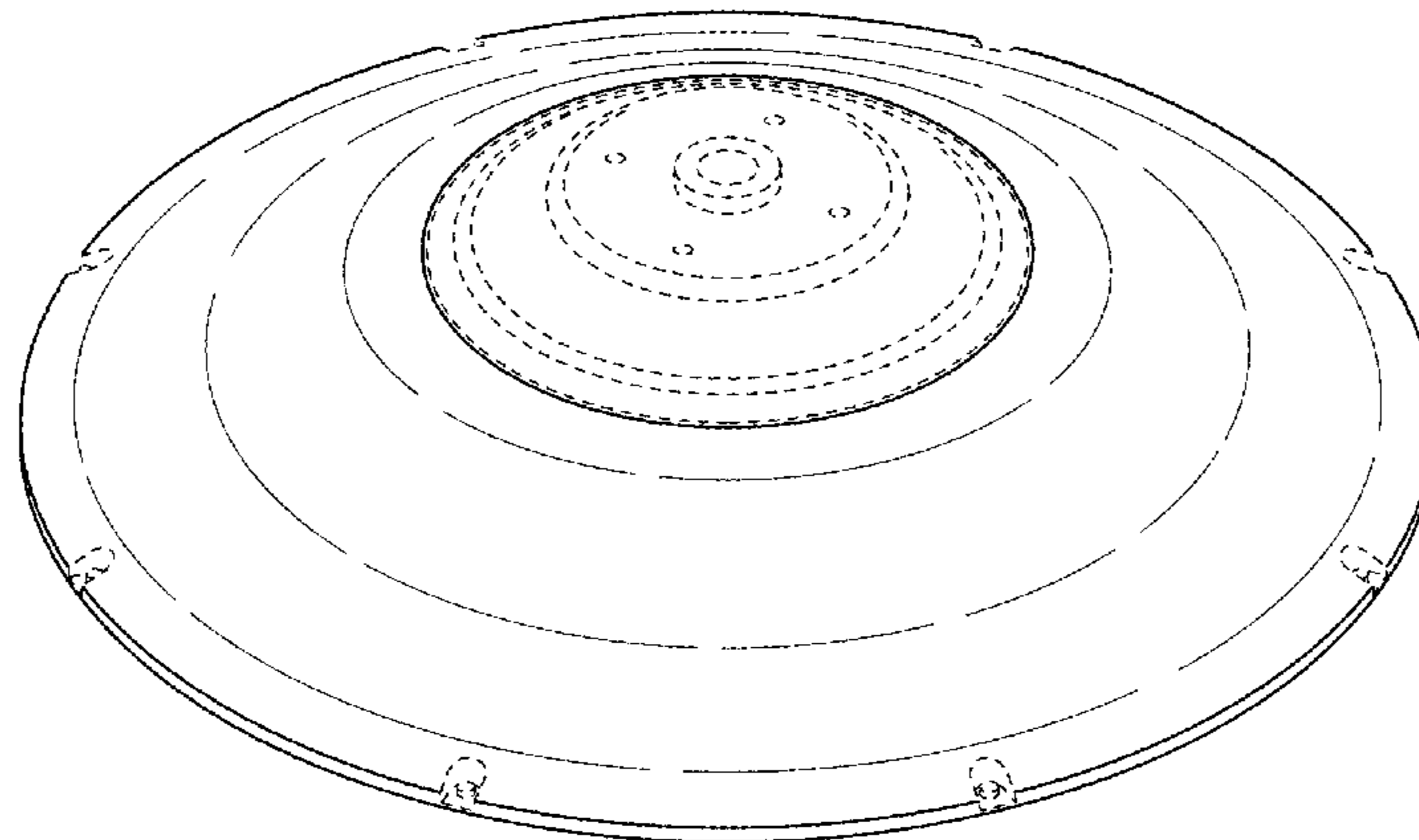
FIG. 3 is a left side elevation of the light fixture, a right side elevation, and front and back elevations thereof, being identical.

FIG. 4 is a top plan view of the light fixture; and,

FIG. 5 is a bottom plan view of the light fixture.

In the drawings, broken lines indicate optional structure that forms no part of the claimed design.

**1 Claim, 5 Drawing Sheets**



(56)

**References Cited**

OTHER PUBLICATIONS

Parking with confidence: Philips Gardco SoftView LED parking garage luminaires <http://applications.nam.lighting.philips.com/blog/index.php/2016/02/23/parking-with-confidencephilips-gardco-softview-led-parking-garage-luminaires/> Feb. 23, 2016 (Year: 2016).\*

TopTier LED Parking Garage and Canopy Luminaire <http://www.cooperindustries.com/content/dam/public/lighting/resources/library/literature/McGraw%20Edison/mcgraw-edison-toptier-led-bro.pdf> May 5, 2016 (Year: 2016).\*

\* cited by examiner

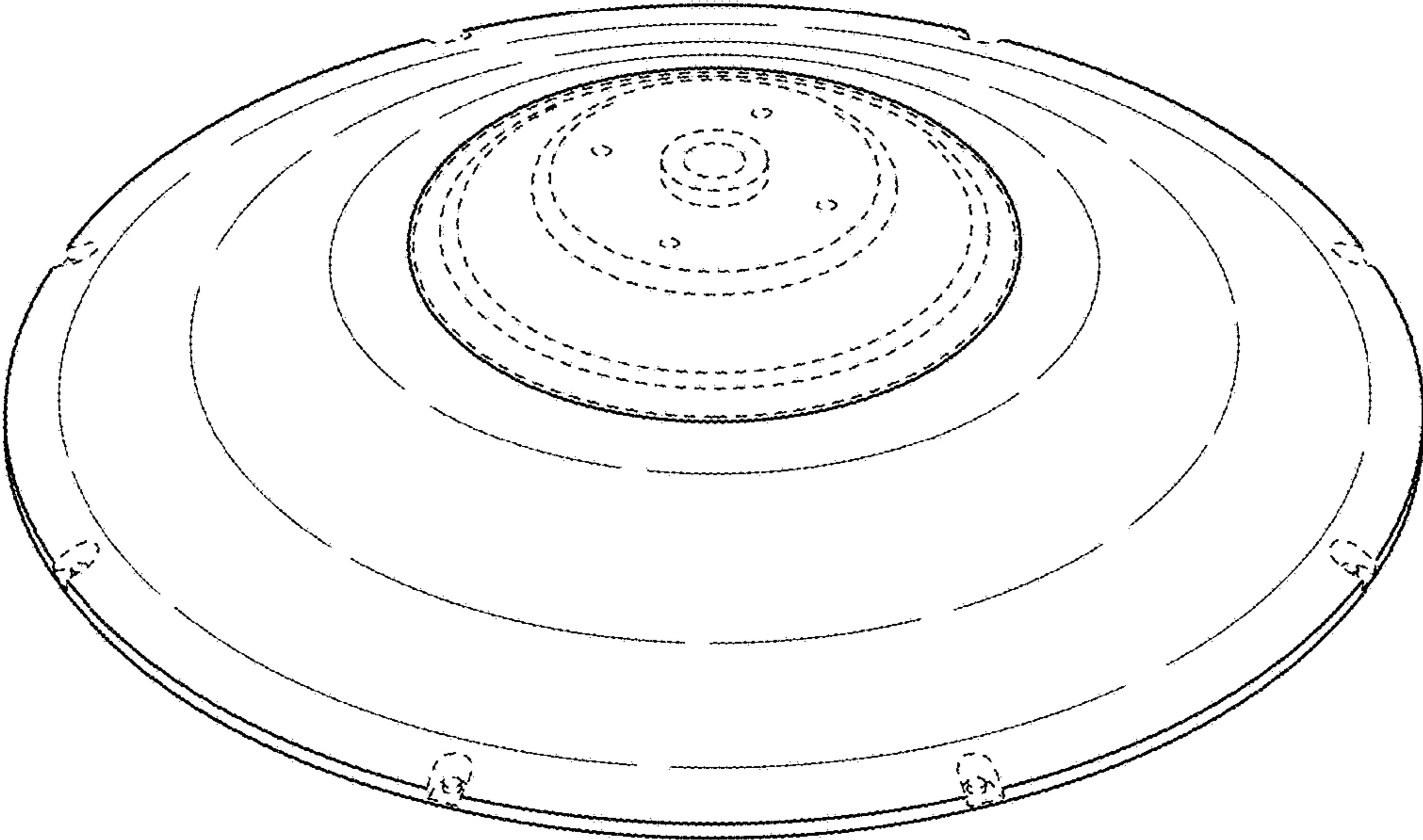


FIG. 1

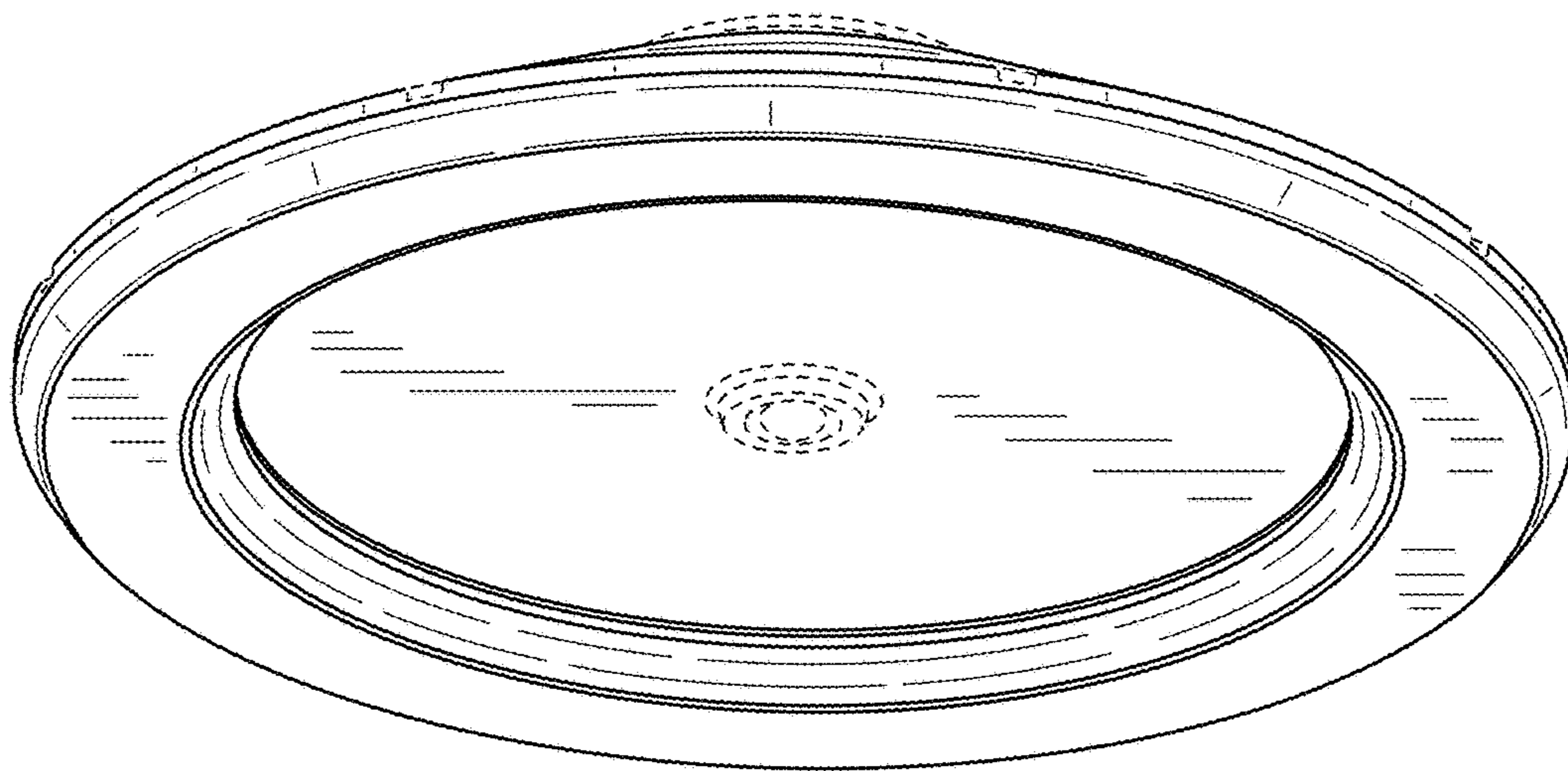


FIG.2

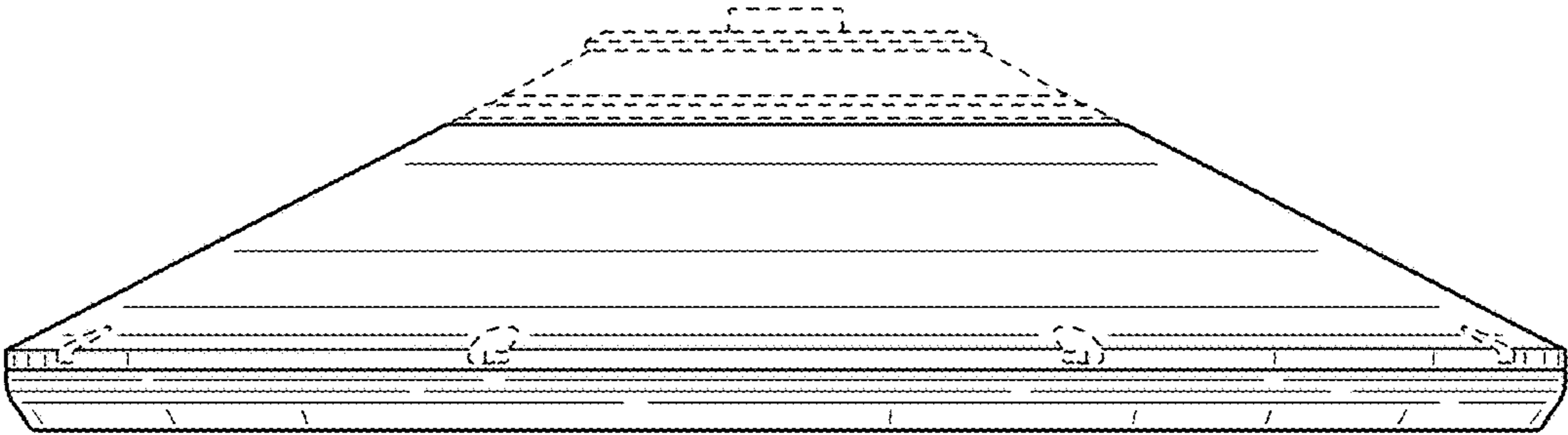


FIG.3

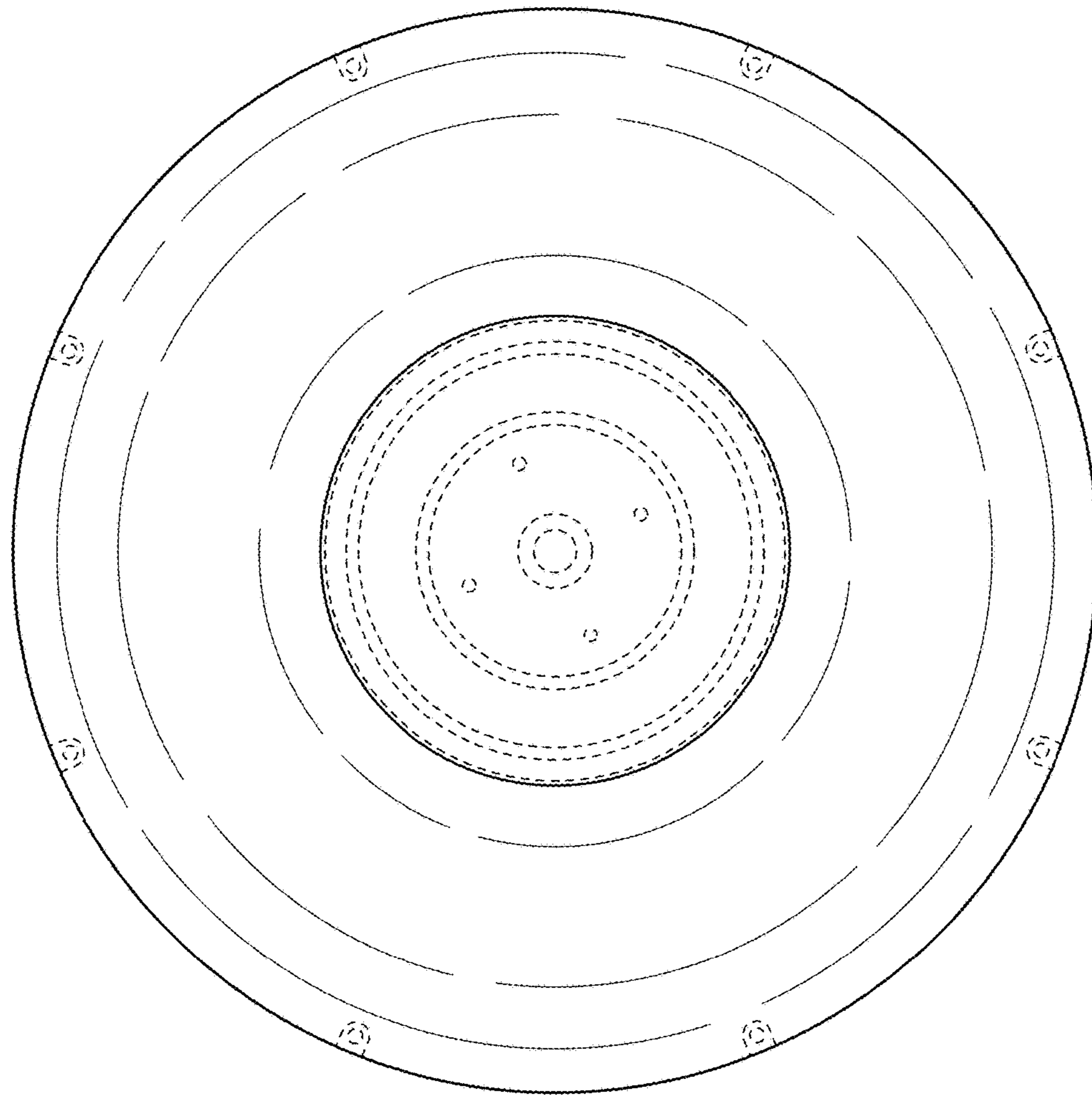


FIG.4

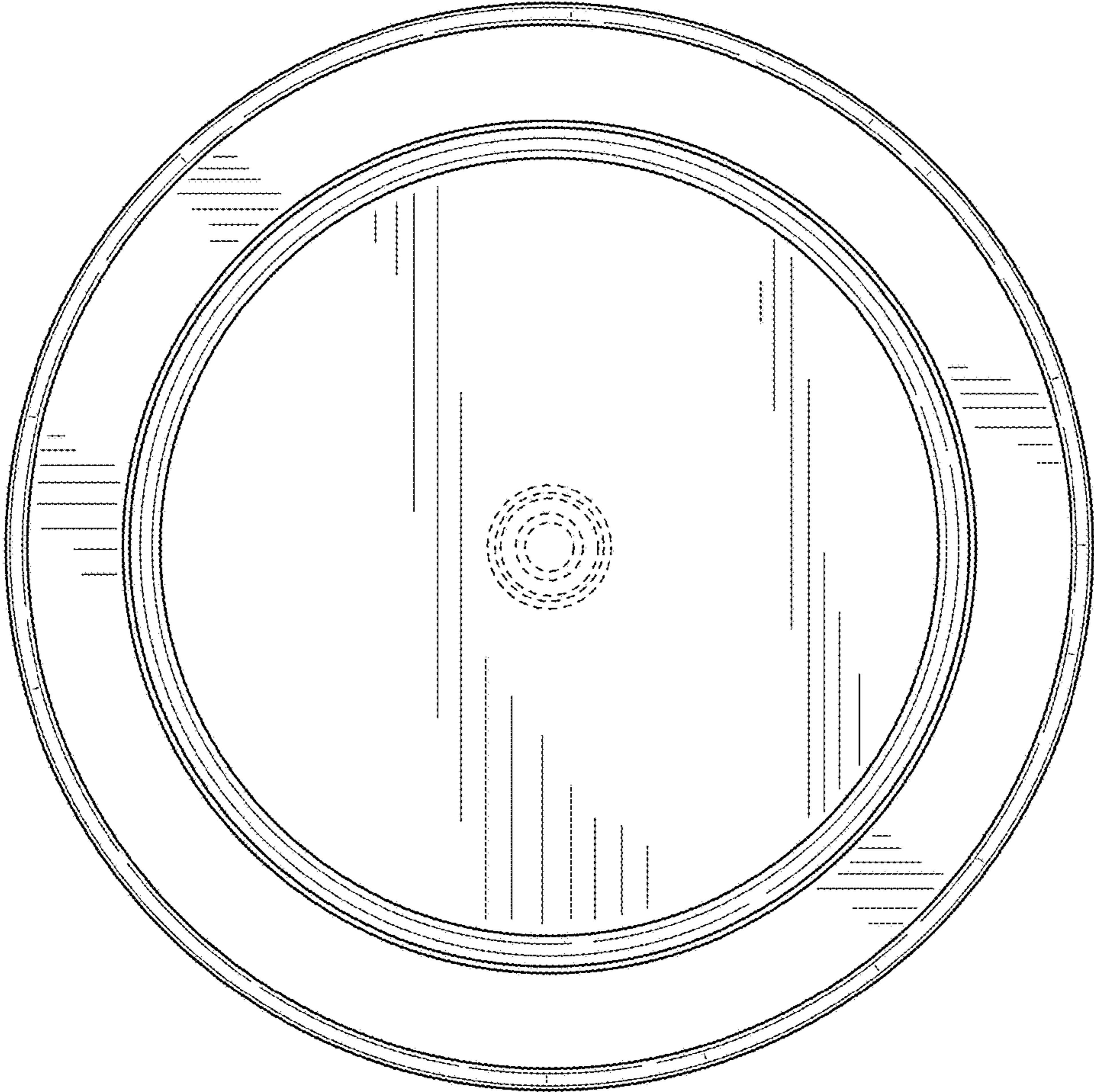


FIG.5