

US00D867651S

(12) **United States Design Patent** (10) **Patent No.:** **US D867,651 S**  
**Altamura et al.** (45) **Date of Patent:** **\*\* Nov. 19, 2019**

(54) **FITTING FOR A PROJECTOR LIGHT**  
(71) Applicant: **Seasonal Specialties, LLC**, Eden Prairie, MN (US)  
(72) Inventors: **Steven J. Altamura**, Scarsdale, NY (US); **Weng Yunbing**, Taizhou (CN); **Chen YongTai**, WenLin (CN)  
(73) Assignee: **Seasonal Specialties, LLC**, Eden Prairie, MN (US)

D625,871 S 10/2010 Huang  
8,147,089 B2 \* 4/2012 Matthews ..... F21L 4/027  
362/199  
D659,871 S 5/2012 Lee  
D713,576 S \* 9/2014 Popper ..... D26/113  
D773,707 S 12/2016 Lentine  
D800,938 S 10/2017 Guercio  
D801,574 S \* 10/2017 Amato ..... D26/118  
D818,632 S \* 5/2018 Kotovsky ..... D26/118  
D828,948 S \* 9/2018 Altamura ..... D26/113  
2016/0025309 A1 1/2016 Zhang

(\*\*) Term: **15 Years**  
(21) Appl. No.: **29/642,722**  
(22) Filed: **Apr. 2, 2018**

**Related U.S. Application Data**

(62) Division of application No. 29/583,073, filed on Nov. 2, 2016, now Pat. No. Des. 814,680.  
(51) **LOC (12) Cl.** ..... **26-03**  
(52) **U.S. Cl.**  
USPC ..... **D26/113**  
(58) **Field of Classification Search**  
USPC ..... D26/63, 72, 84, 85, 88, 89, 113, 118  
CPC ..... F21V 21/30; F21V 21/35; F21V 29/004;  
F21V 29/74; F21S 8/06; F21S 8/061;  
F21S 8/066; F21S 8/068; F21L 4/027  
See application file for complete search history.

(56) **References Cited**

**U.S. PATENT DOCUMENTS**

D414,579 S 9/1999 Denison  
6,902,292 B2 6/2005 Lai  
D542,959 S 5/2007 Yao  
D559,091 S 1/2008 Skorka  
D574,532 S 8/2008 Lee  
D593,247 S \* 5/2009 Maxik ..... D26/113

**OTHER PUBLICATIONS**

<https://www.athome.com/santa-led-projctr-spotlight/124212705.html#sz=225&start=1>; Santa LED Projctr Spotlight—At Home, pp. 1-2, Oct. 10, 2017.

\* cited by examiner

*Primary Examiner* — Brian N. Vinson  
(74) *Attorney, Agent, or Firm* — Hamre, Schumann, Mueller & Larson, P.C.

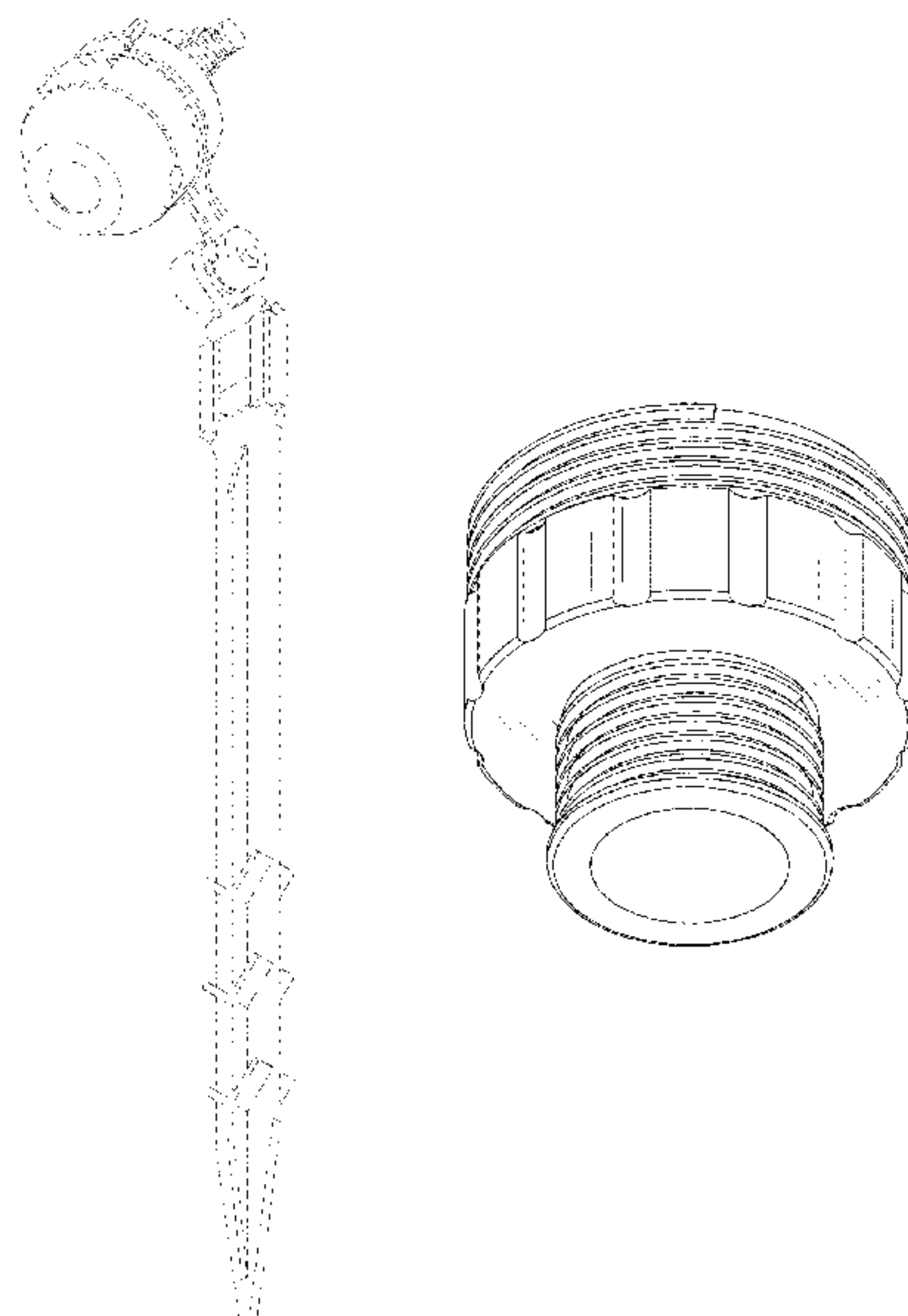
(57) **CLAIM**

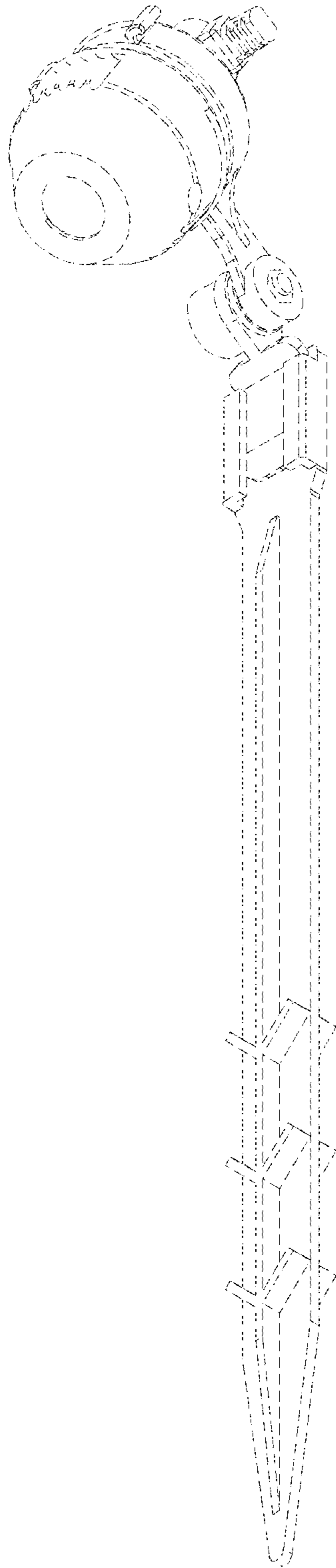
The ornamental design for a fitting for a projector light, as shown and described.

**DESCRIPTION**

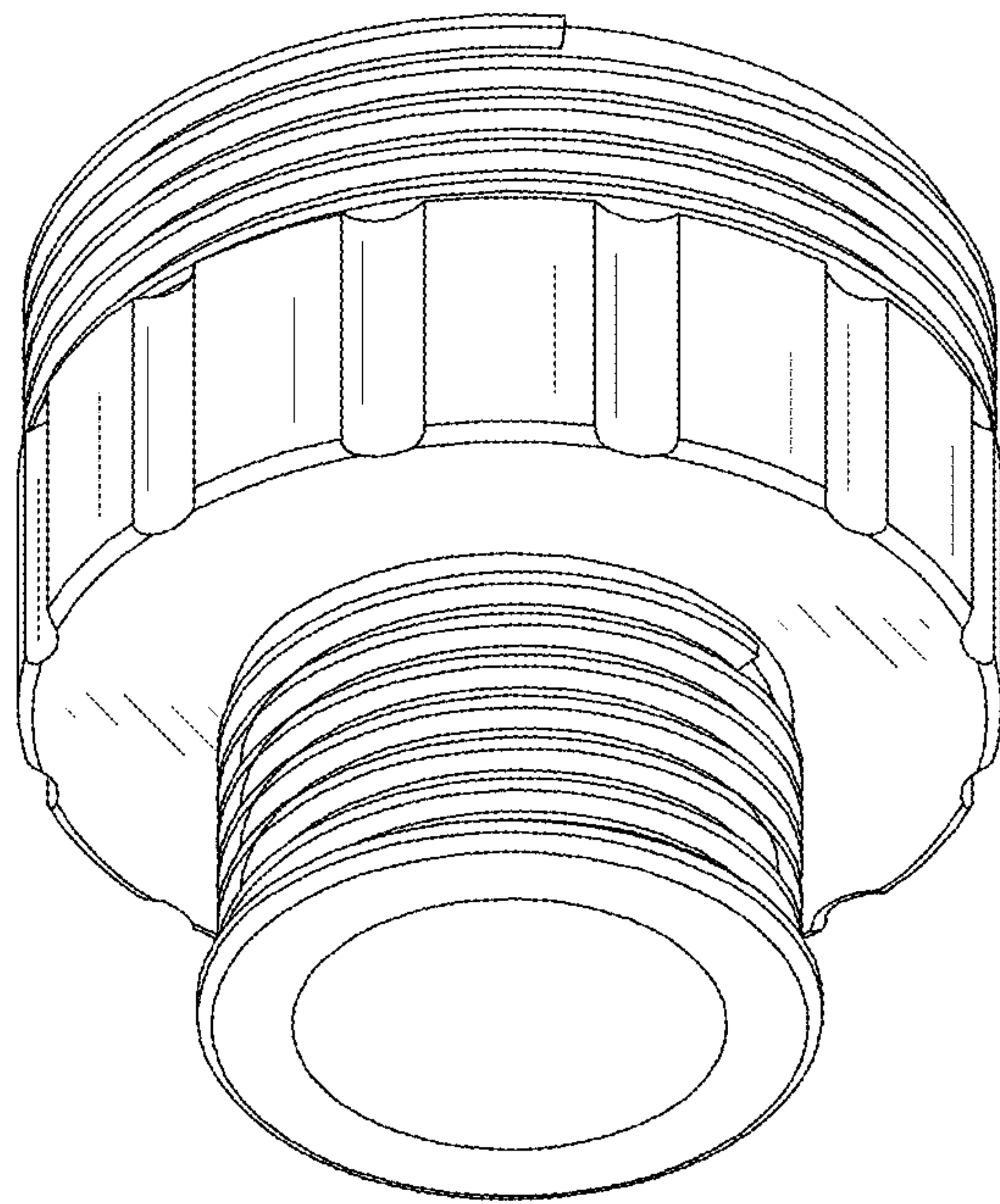
FIG. 1 is a perspective view of the projector light head having a core within.  
FIG. 2 is a perspective view of the core.  
FIG. 3 is a right side view of FIG. 2 thereof.  
FIG. 4 is a front view of FIG. 2 thereof.  
FIG. 5 is a bottom view of FIG. 2 thereof; and,  
FIG. 6 is a top view of FIG. 2 thereof.  
The features shown in broken lines depict environmental subject matter only and form no part of the claimed design.

**1 Claim, 4 Drawing Sheets**

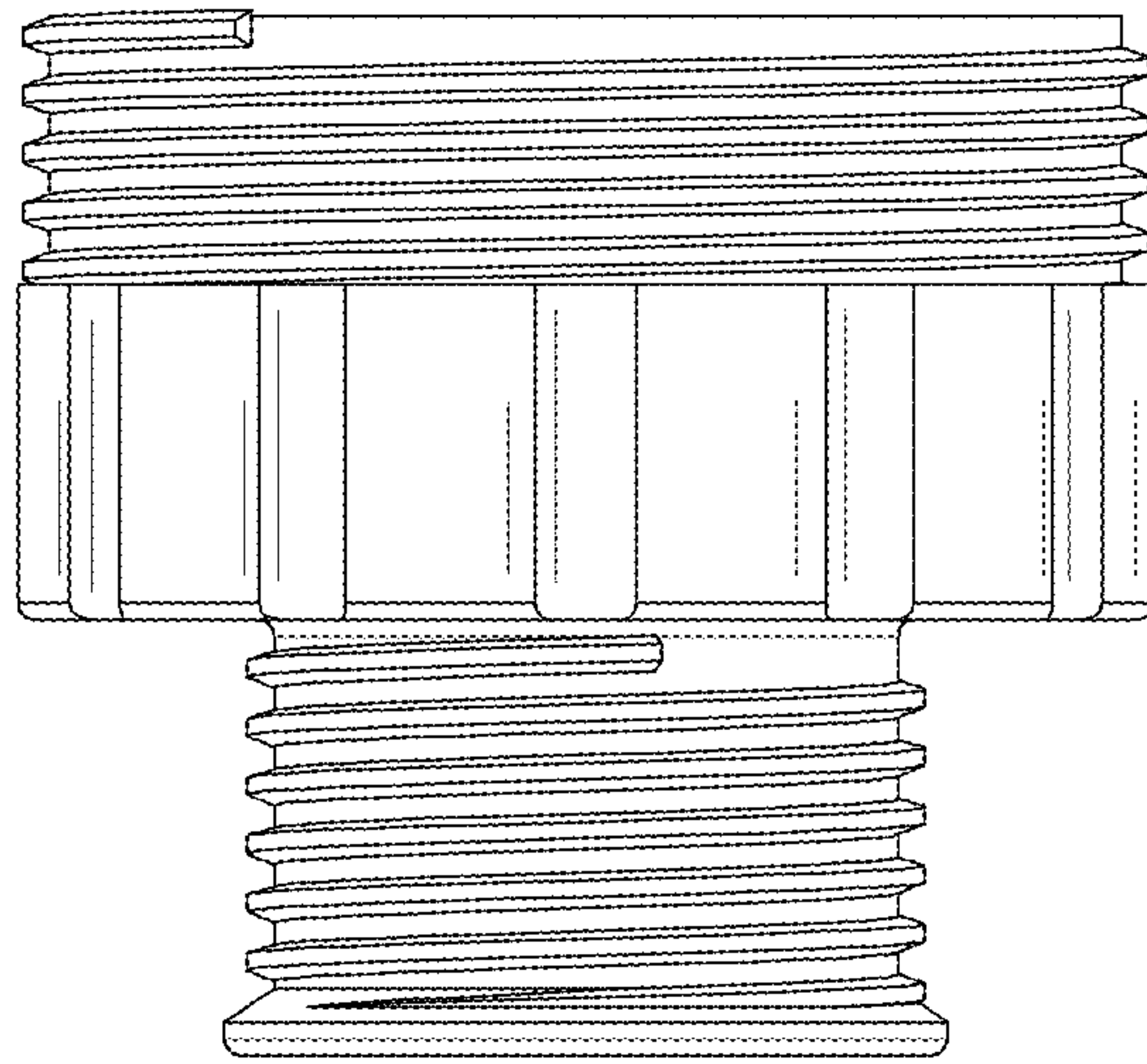




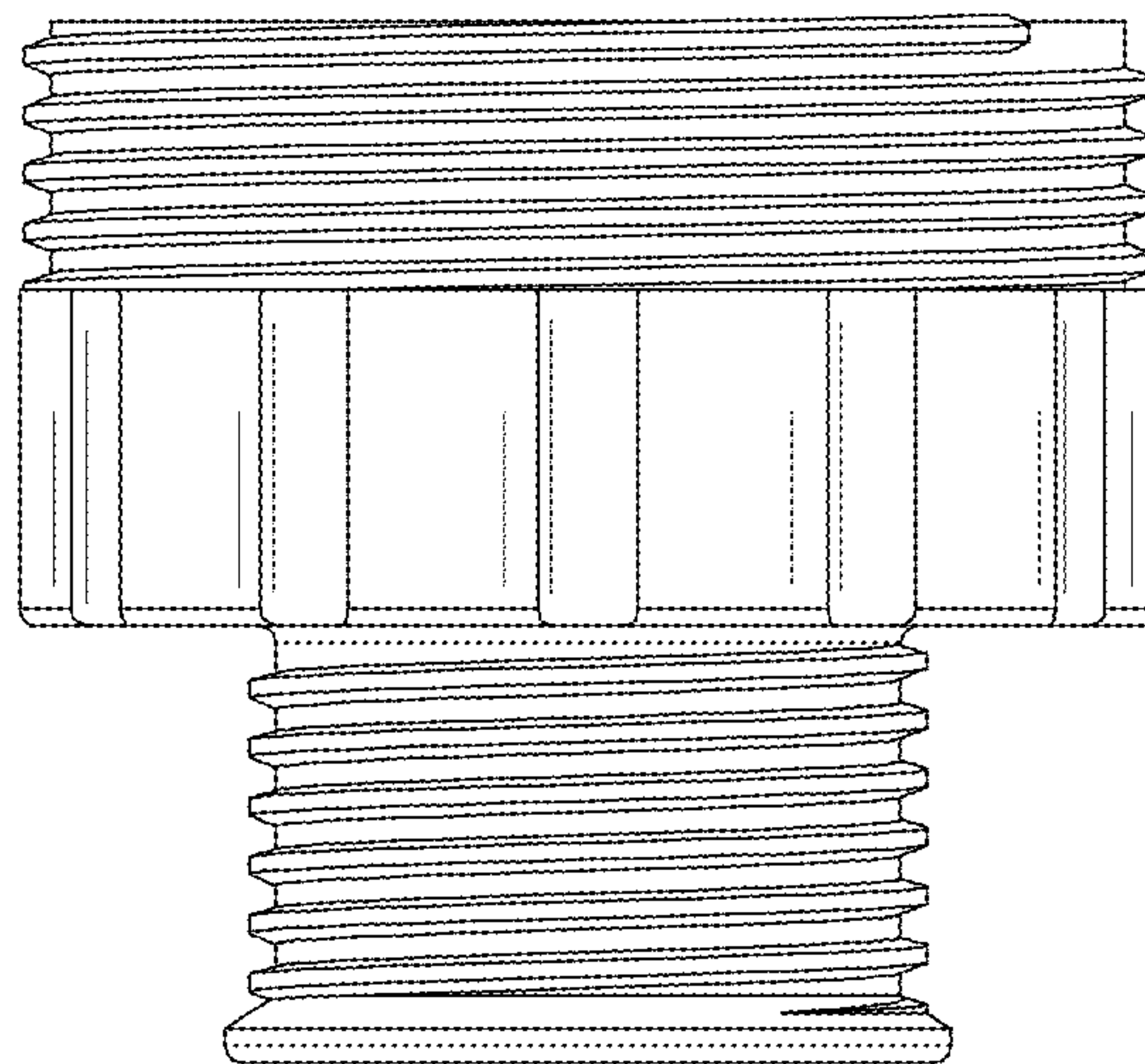
**FIG. 1**



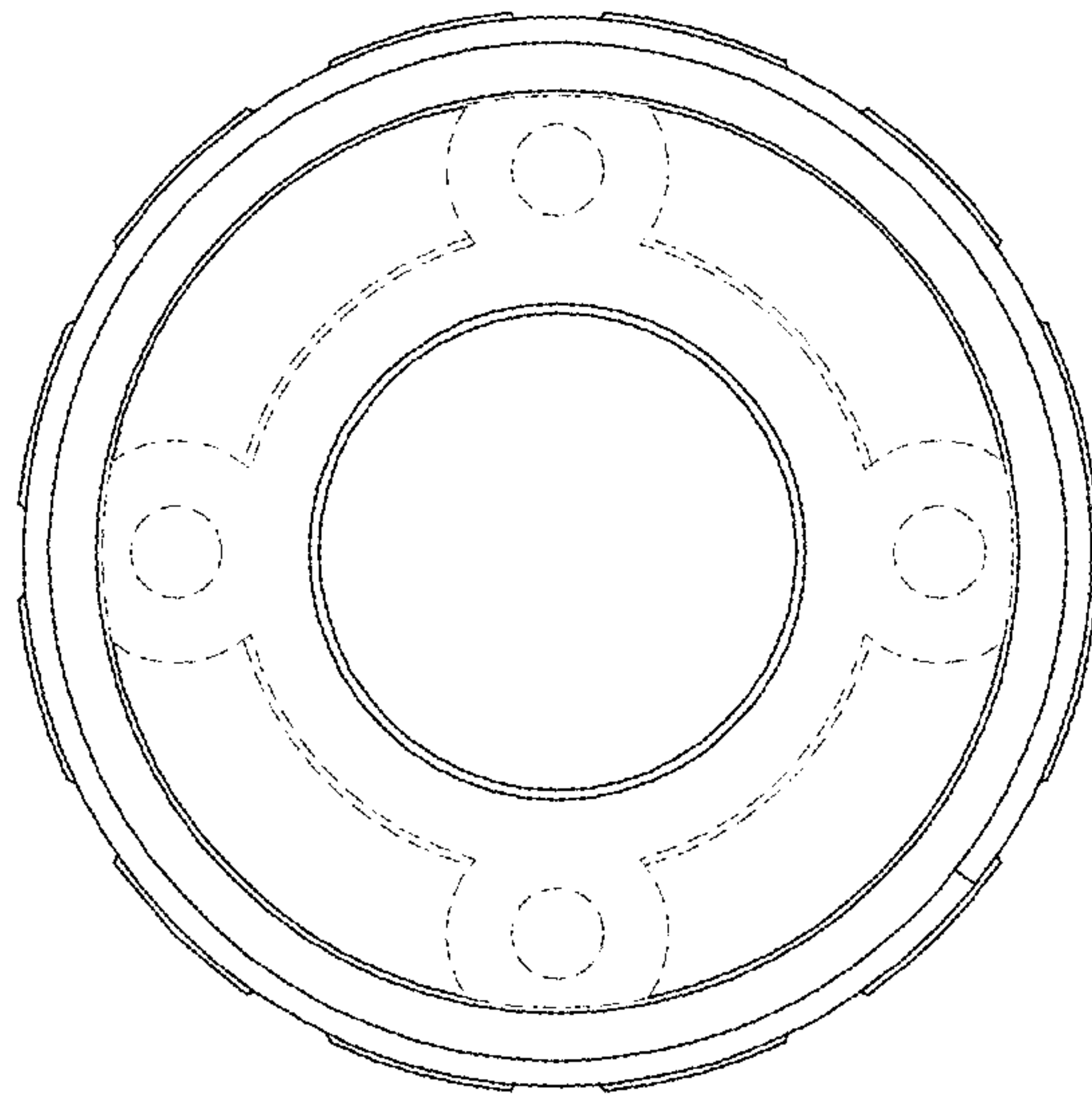
**FIG. 2**



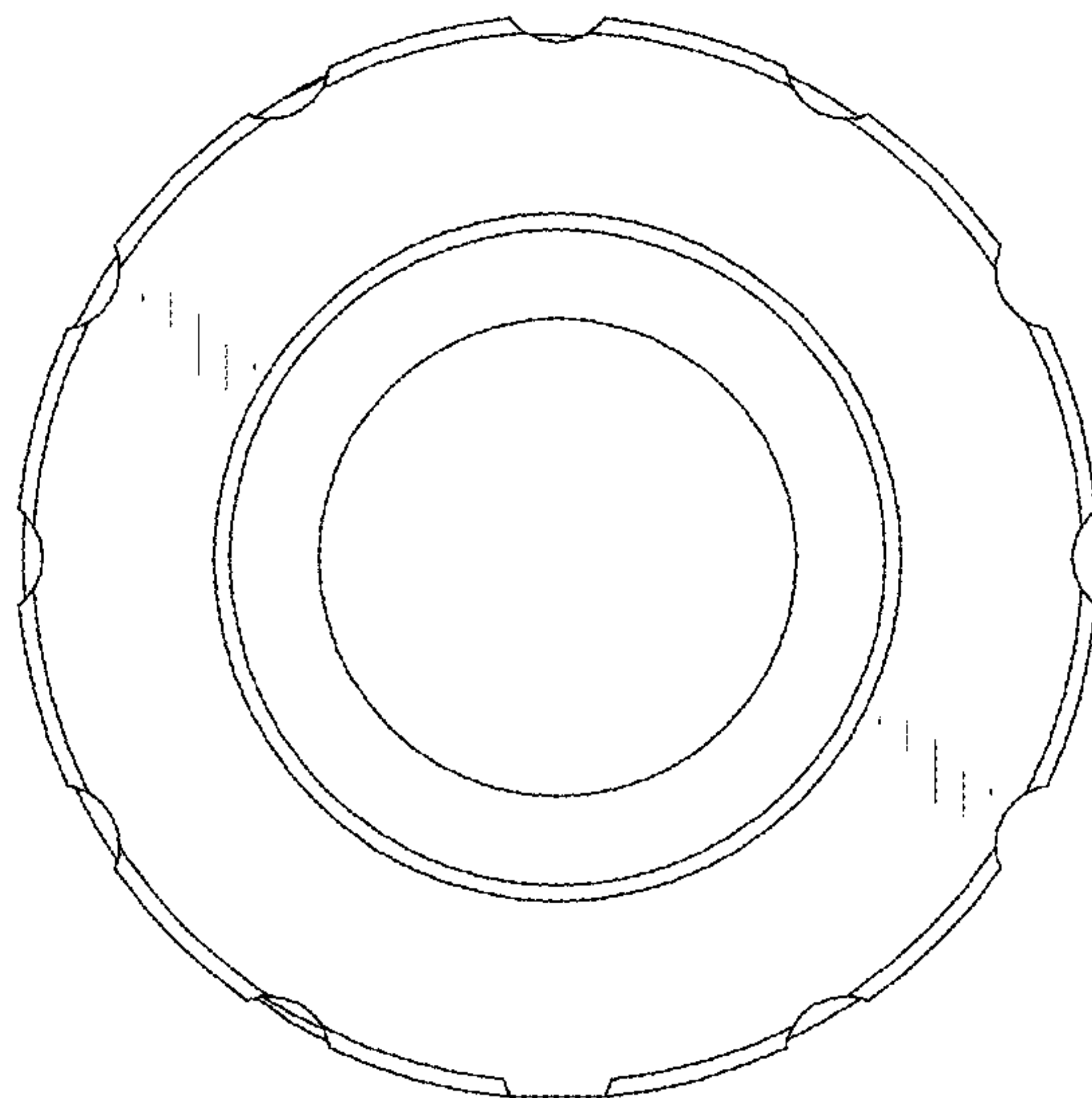
**FIG. 3**



**FIG. 4**



**FIG. 5**



**FIG. 6**