

US00D867650S

(12) **United States Design Patent** (10) **Patent No.:** **US D867,650 S**  
**Cheng et al.** (45) **Date of Patent:** **\*\* Nov. 19, 2019**

(54) **FIXED LUMINAIRE**

(71) Applicant: **DELTA ELECTRONICS, INC.**,  
Taoyuan (TW)

(72) Inventors: **Chung-Chieh Cheng**, Taoyuan (TW);  
**Kun-Ming Tien**, Taoyuan (TW);  
**Ying-Hao Huang**, Taoyuan (TW);  
**Wei-Ting Chien**, Taoyuan (TW);  
**Yen-Jyh Lai**, Taoyuan (TW)

(73) Assignee: **DELTA ELECTRONICS, INC.**,  
Taoyuan (TW)

(\*\*) Term: **15 Years**

(21) Appl. No.: **29/623,619**

(22) Filed: **Oct. 26, 2017**

(51) **LOC (12) Cl.** ..... **26-99**

(52) **U.S. Cl.**  
USPC ..... **D26/113; D26/88**

(58) **Field of Classification Search**  
USPC ..... D26/71, 72, 50, 88, 113, 118, 138, 141  
CPC ..... F21S 8/03; F21S 8/04; F21S 8/043; F21S  
8/06; F21S 8/061; F21S 8/063; F21V  
21/008; F21V 21/02; F21V 29/2212;  
F21V 29/767; F21V 29/77; F21V 29/777;  
F21V 29/78

See application file for complete search history.

(56) **References Cited**

U.S. PATENT DOCUMENTS

D642,316 S *	7/2011	Zheng	.....	D26/2
D688,408 S *	8/2013	Wung	.....	D26/72
D690,453 S *	9/2013	Guercio	.....	D26/72
D811,642 S *	2/2018	Liang	.....	D26/72
D812,805 S *	3/2018	Bendtsen	.....	D26/113
D831,261 S *	10/2018	Ding	.....	D26/88
D832,491 S *	10/2018	Murphy	.....	D26/118
D834,740 S *	11/2018	Chien	.....	D26/113
D839,469 S *	1/2019	Deng	.....	D26/88

\* cited by examiner

*Primary Examiner* — Brian N. Vinson  
(74) *Attorney, Agent, or Firm* — CKC & Partners Co.,  
LLC

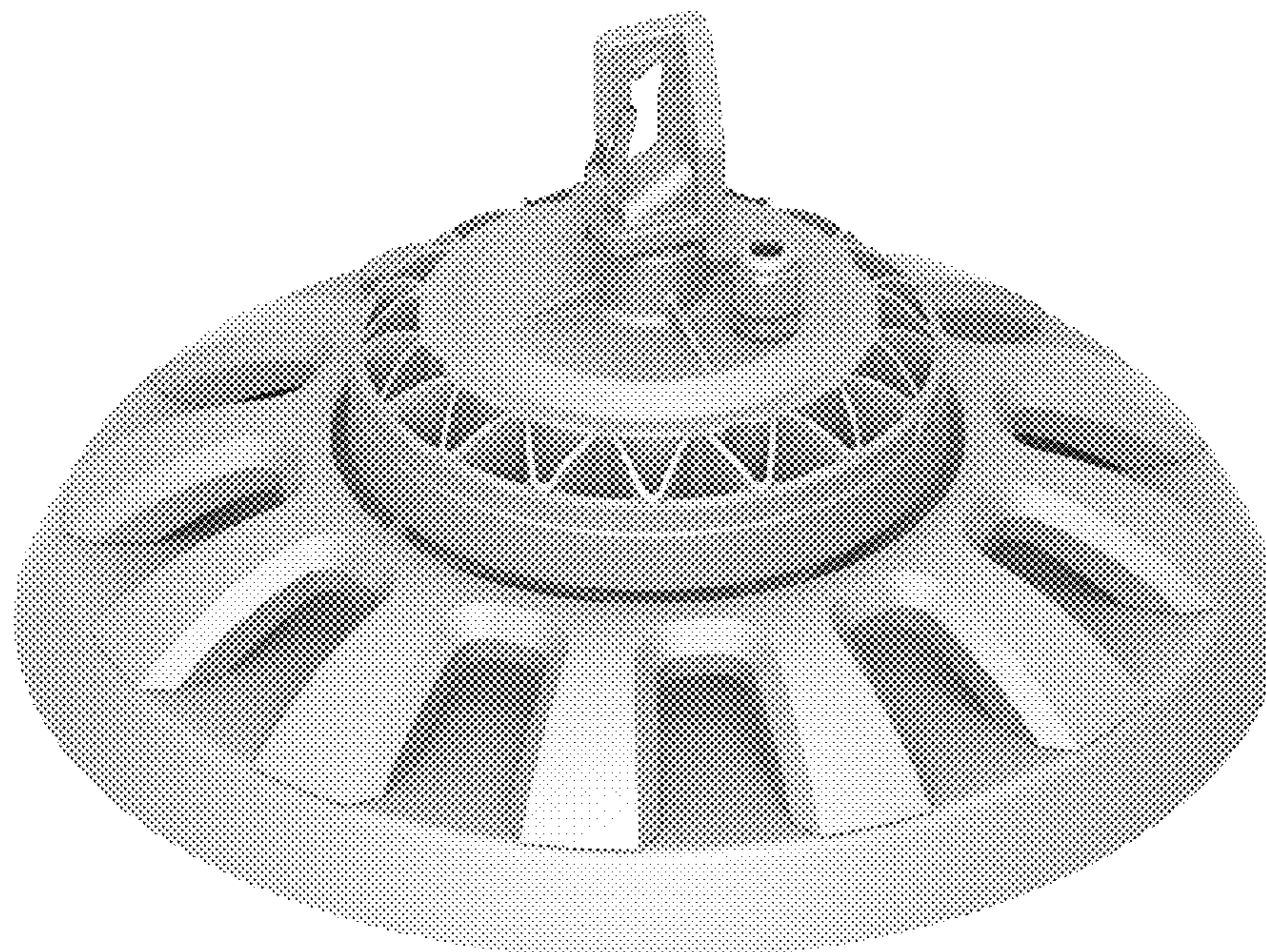
(57) **CLAIM**

The ornamental design for a fixed luminaire, as shown and described.

**DESCRIPTION**

FIG. 1 is a perspective view of a fixed luminaire showing our new design;  
FIG. 2 is a front elevational view thereof;  
FIG. 3 is a rear elevational view thereof;  
FIG. 4 is a left side elevational view thereof;  
FIG. 5 is a right side elevational view thereof;  
FIG. 6 is a top plan view thereof; and,  
FIG. 7 is a bottom plan view thereof.

**1 Claim, 7 Drawing Sheets**



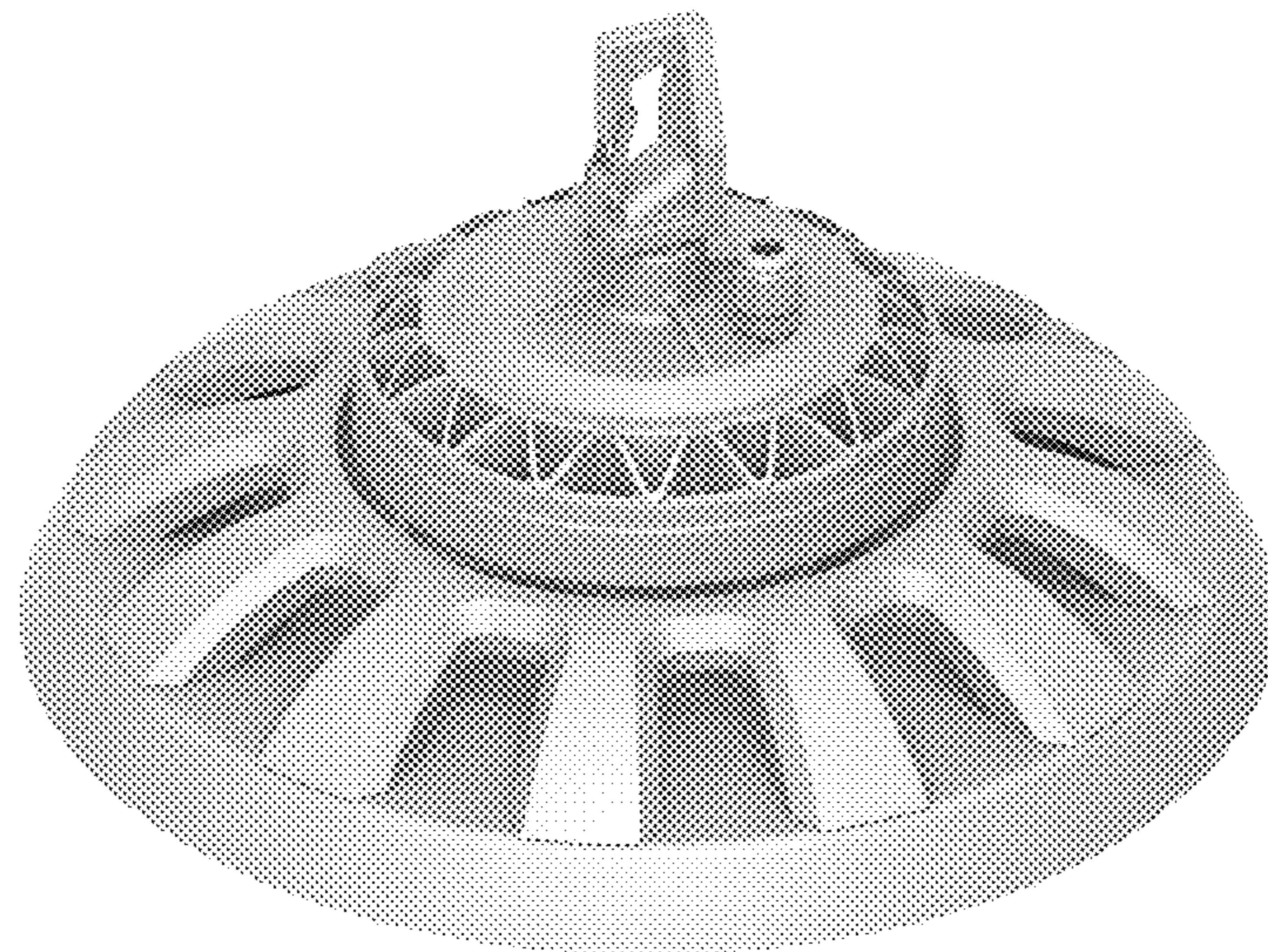


Fig. 1

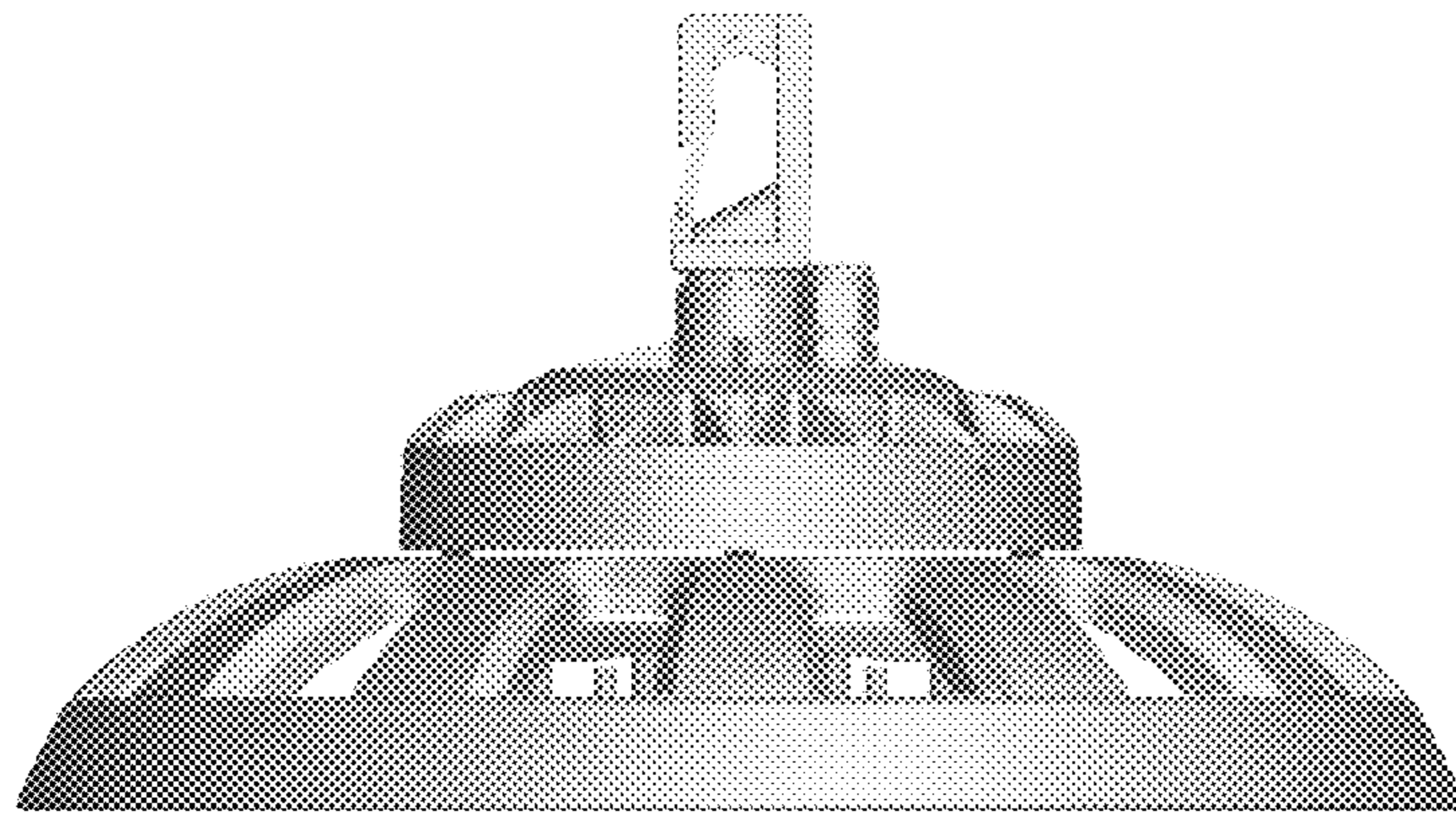


Fig. 2

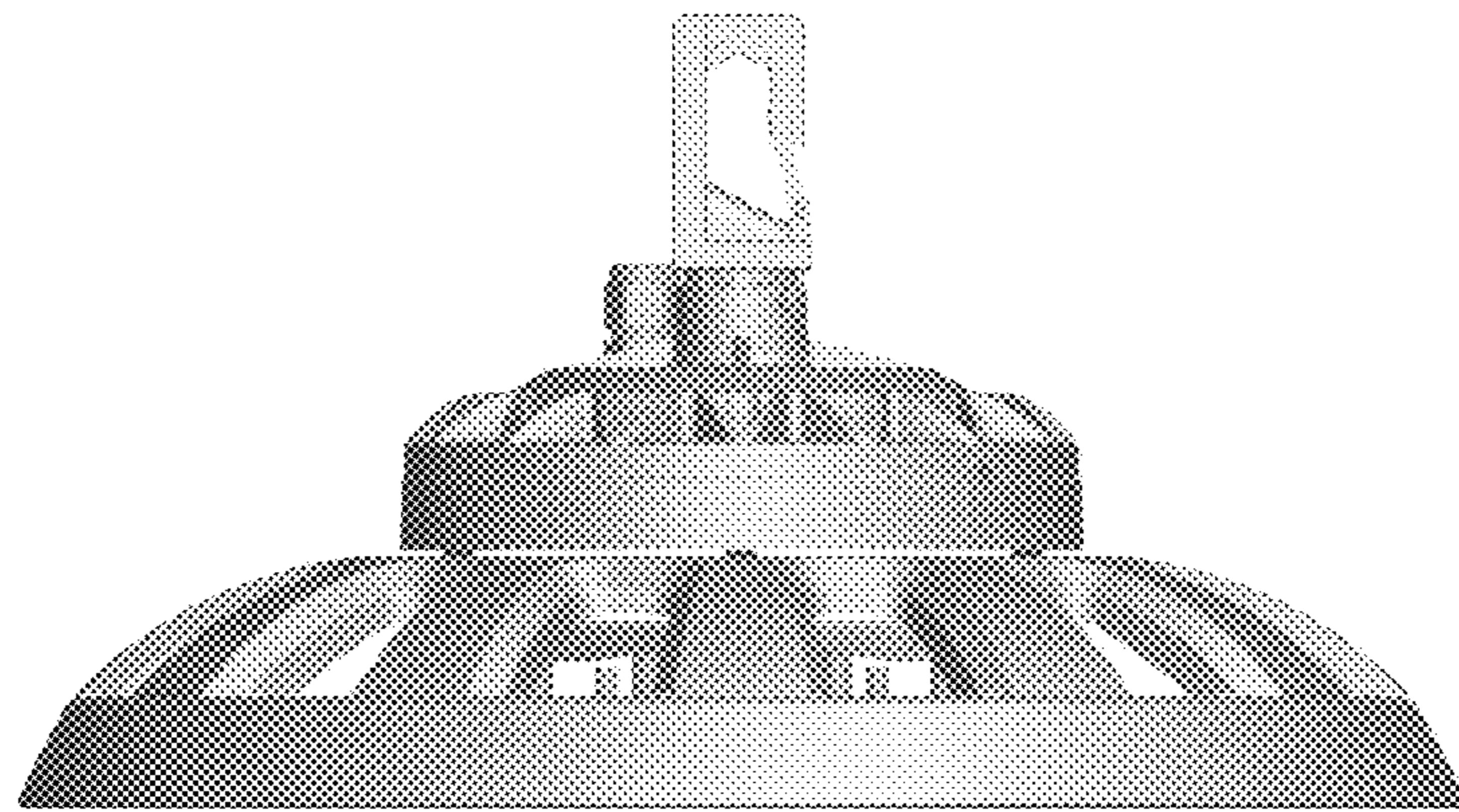


Fig. 3

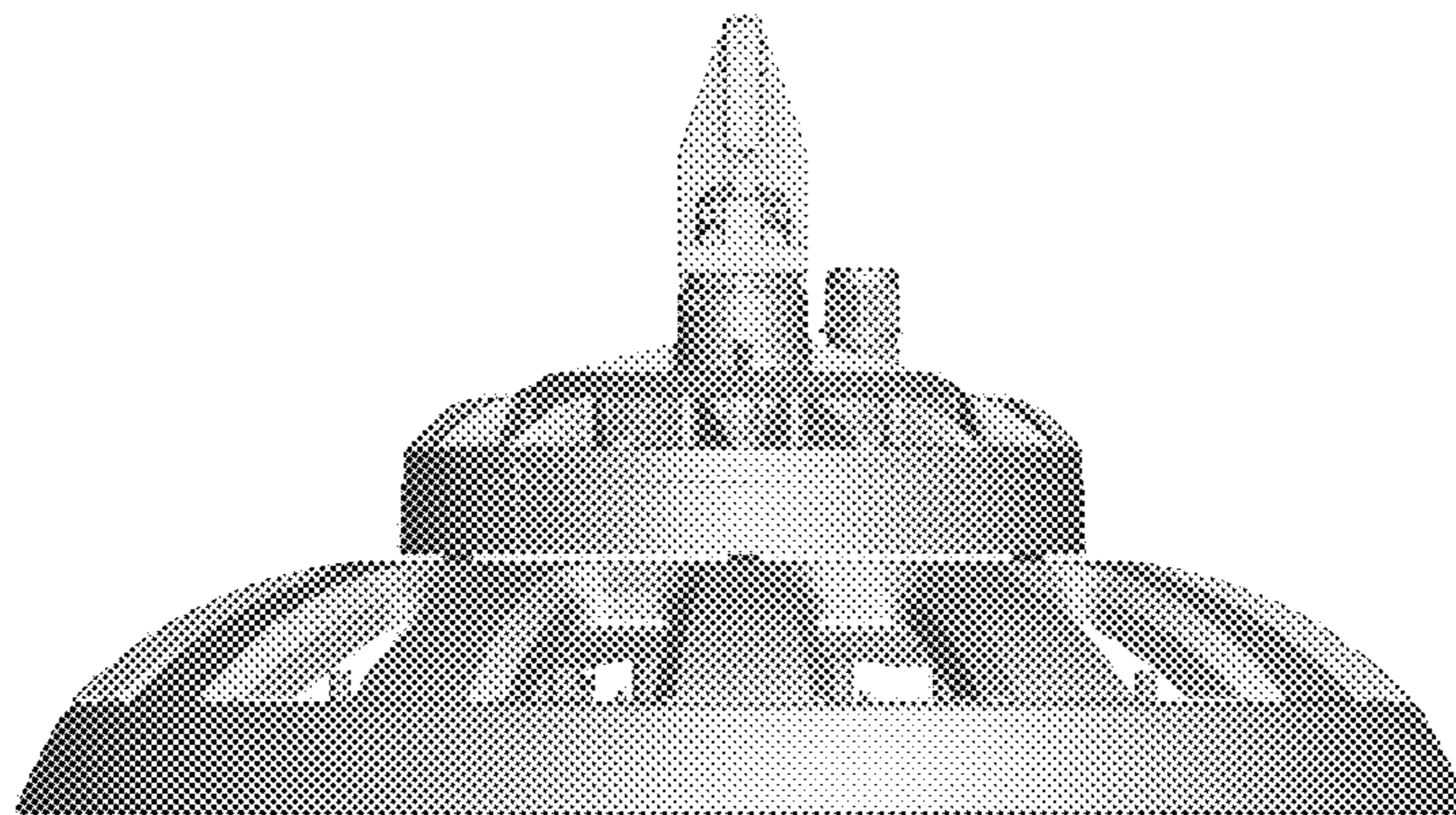


Fig. 4

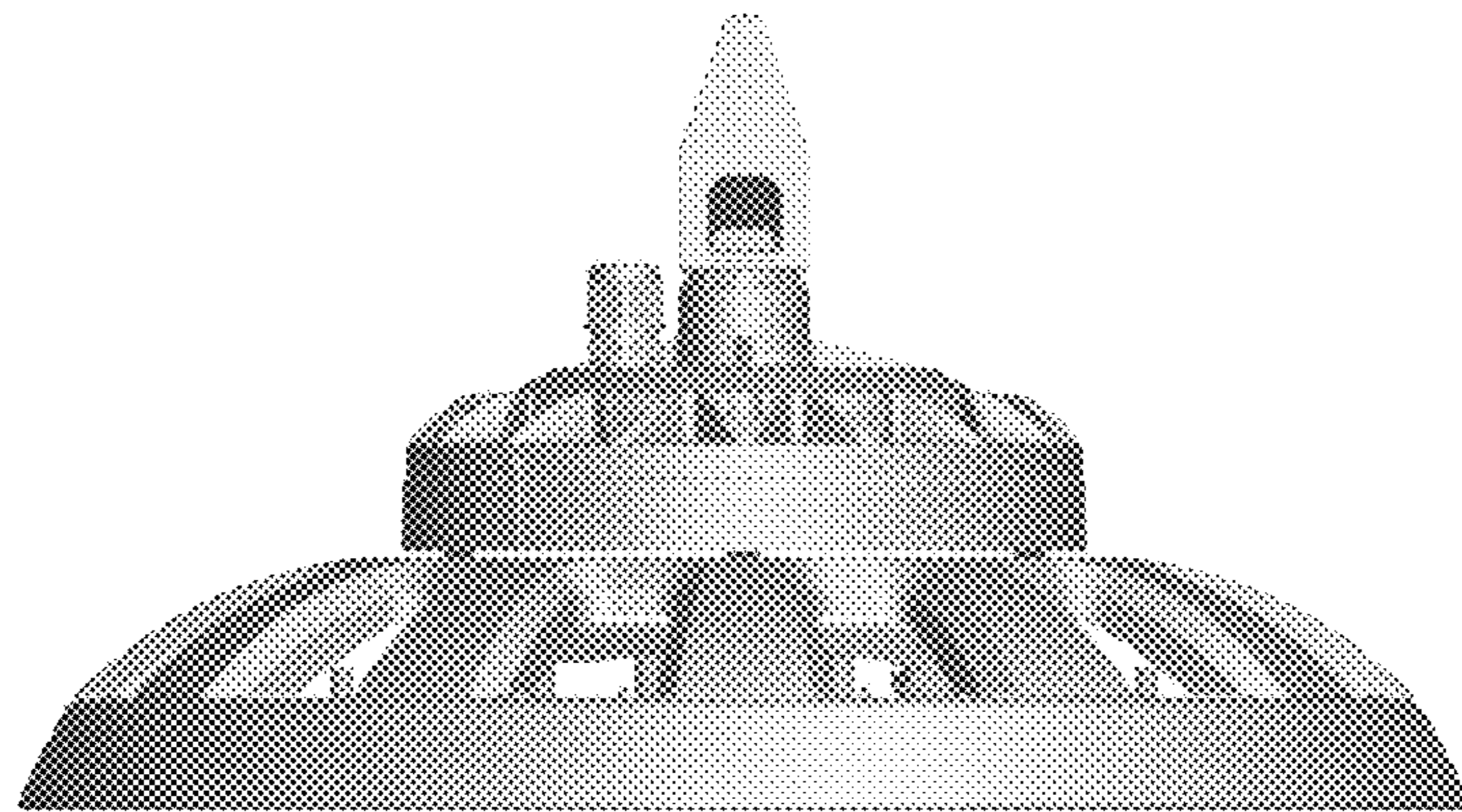


Fig. 5

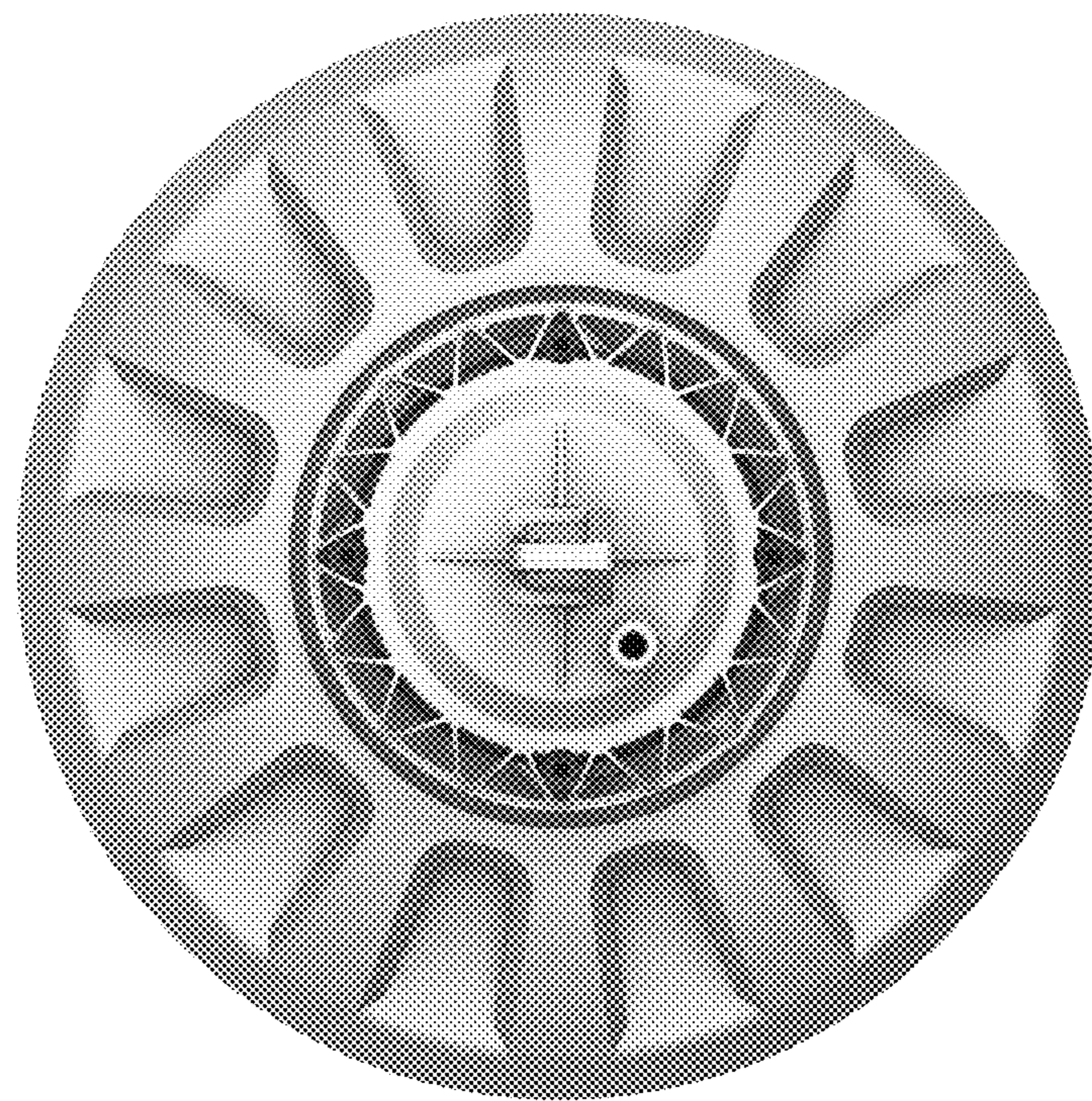


Fig. 6

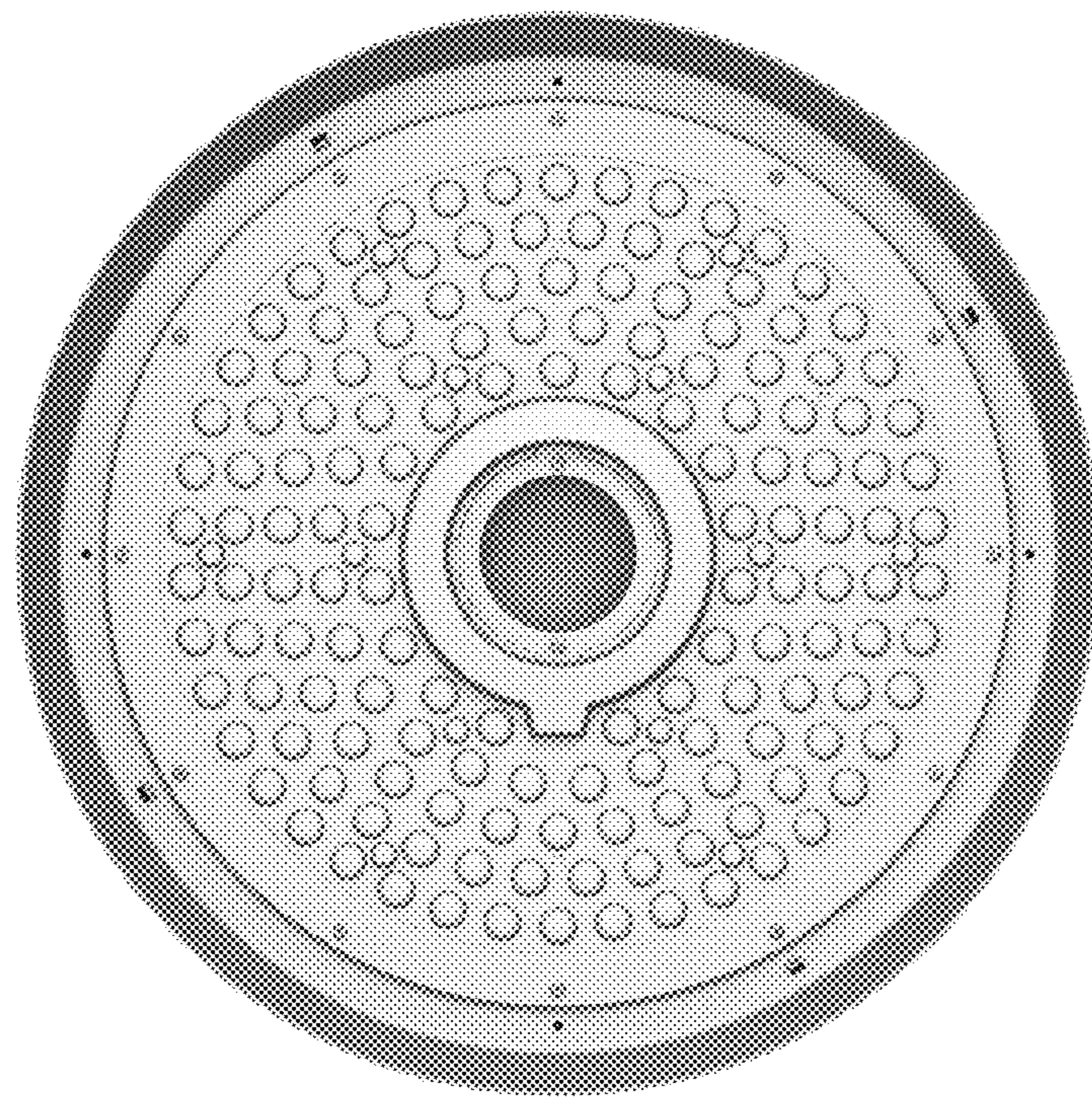


Fig. 7