



US00D867646S

(12) **United States Design Patent** (10) **Patent No.:** **US D867,646 S**
Flindt (45) **Date of Patent:** **** Nov. 19, 2019**

(54) **WALL LAMP**

(56) **References Cited**

(71) Applicant: **LOUIS POULSEN A/S**, Copenhagen K (DK)

U.S. PATENT DOCUMENTS

(72) Inventor: **Christian Flindt**, Frederiksberg C. (DK)

D385,326 S *	10/1997	Ey	D22/112
D563,588 S *	3/2008	Mullen	D26/85
D565,780 S *	4/2008	Campagna	D26/85
D617,491 S *	6/2010	Dordoni	D26/85
D642,727 S *	8/2011	van den Akker	D26/85
D655,849 S *	3/2012	Sabernig	D26/85
D655,850 S *	3/2012	Sabernig	D26/85
D656,655 S *	3/2012	Wauters	D26/89
D717,484 S *	11/2014	Rozot	D26/85
D726,951 S *	4/2015	Serwacki	D26/74
D727,549 S *	4/2015	Wang	D26/85
D747,025 S *	1/2016	Skira	D26/85
D758,635 S *	6/2016	Fioravanti	D26/85
D772,443 S *	11/2016	Walker	D26/26
D786,482 S *	5/2017	Dixon	D26/88
D830,611 S *	10/2018	Boissevain	D26/89
D846,790 S *	4/2019	Wilkinson	D26/88
D855,240 S *	7/2019	Wagner	D26/89

(**) Term: **15 Years**

(21) Appl. No.: **35/506,062**

(22) Filed: **May 22, 2018**

(80) **Hague Agreement Data**

Int. Filing Date: **May 22, 2018**

Int. Reg. No.: **DM/101402**

Int. Reg. Date: **May 22, 2018**

Int. Reg. Pub. Date: **Nov. 23, 2018**

* cited by examiner

(30) **Foreign Application Priority Data**

Primary Examiner — Natasha Vujcic

Nov. 27, 2017 (EM) 004523785

(51) **LOC (12) Cl.** **26-05**

(57) **CLAIM**

The ornamental design for a wall lamp, as shown and described.

(52) **U.S. Cl.**

USPC **D26/85**

DESCRIPTION

(58) **Field of Classification Search**

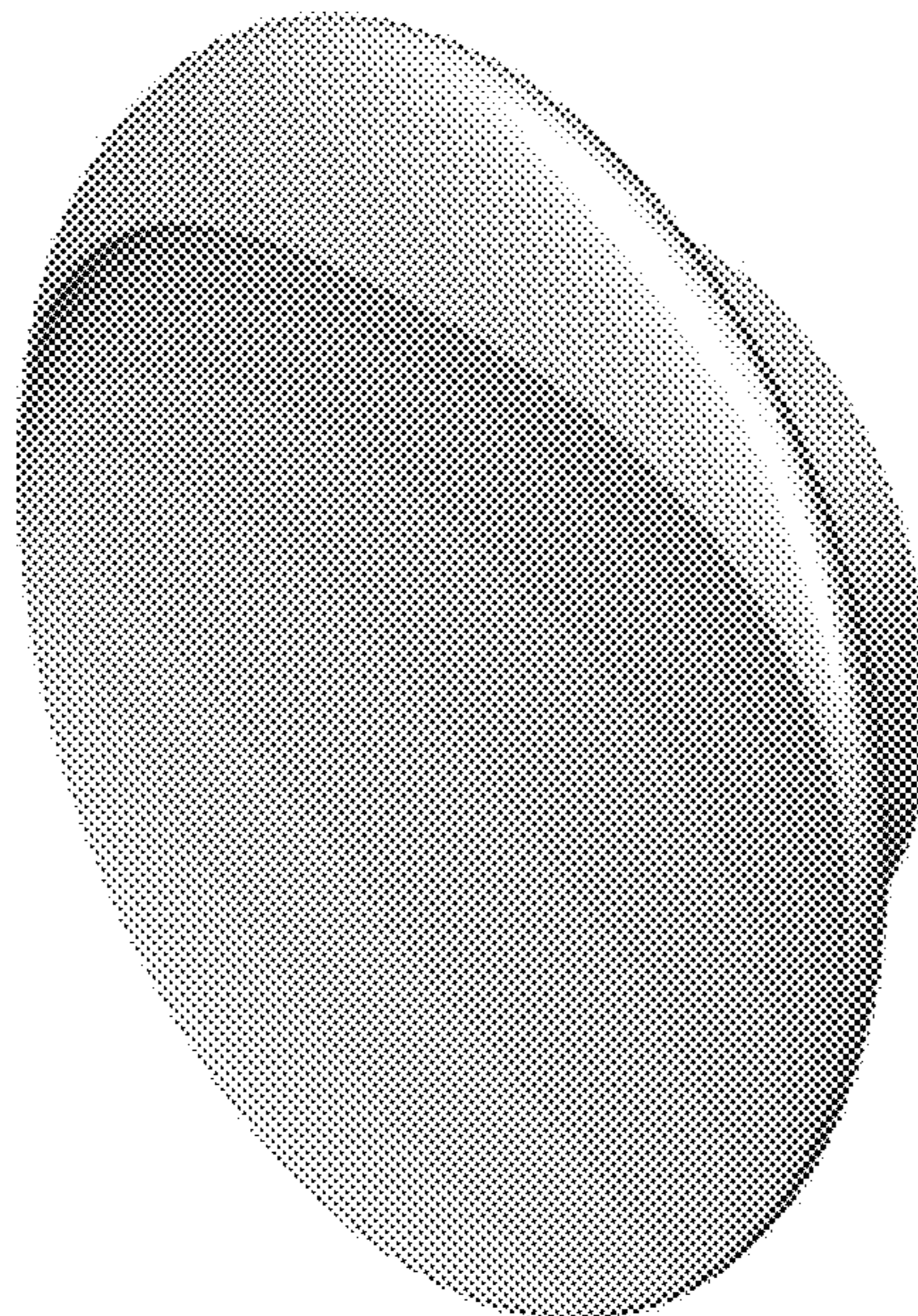
USPC D26/72, 74, 76, 78-83, 85, 86, 88, 90, D26/93, 111, 113, 118, 119, 120, 121, D26/122, 138, 139, 140, 141, 142, 152

CPC F21S 2/00; F21S 4/00; F21S 4/003; F21S 4/005; F21S 4/006; F21S 4/007; F21S 4/008; F21S 6/00; F21S 8/00; F21S 8/024; F21S 8/026; F21S 8/031; F21S 8/033; F21S 8/035-8/037; F21S 8/04; F21S 8/043; F21S 8/063

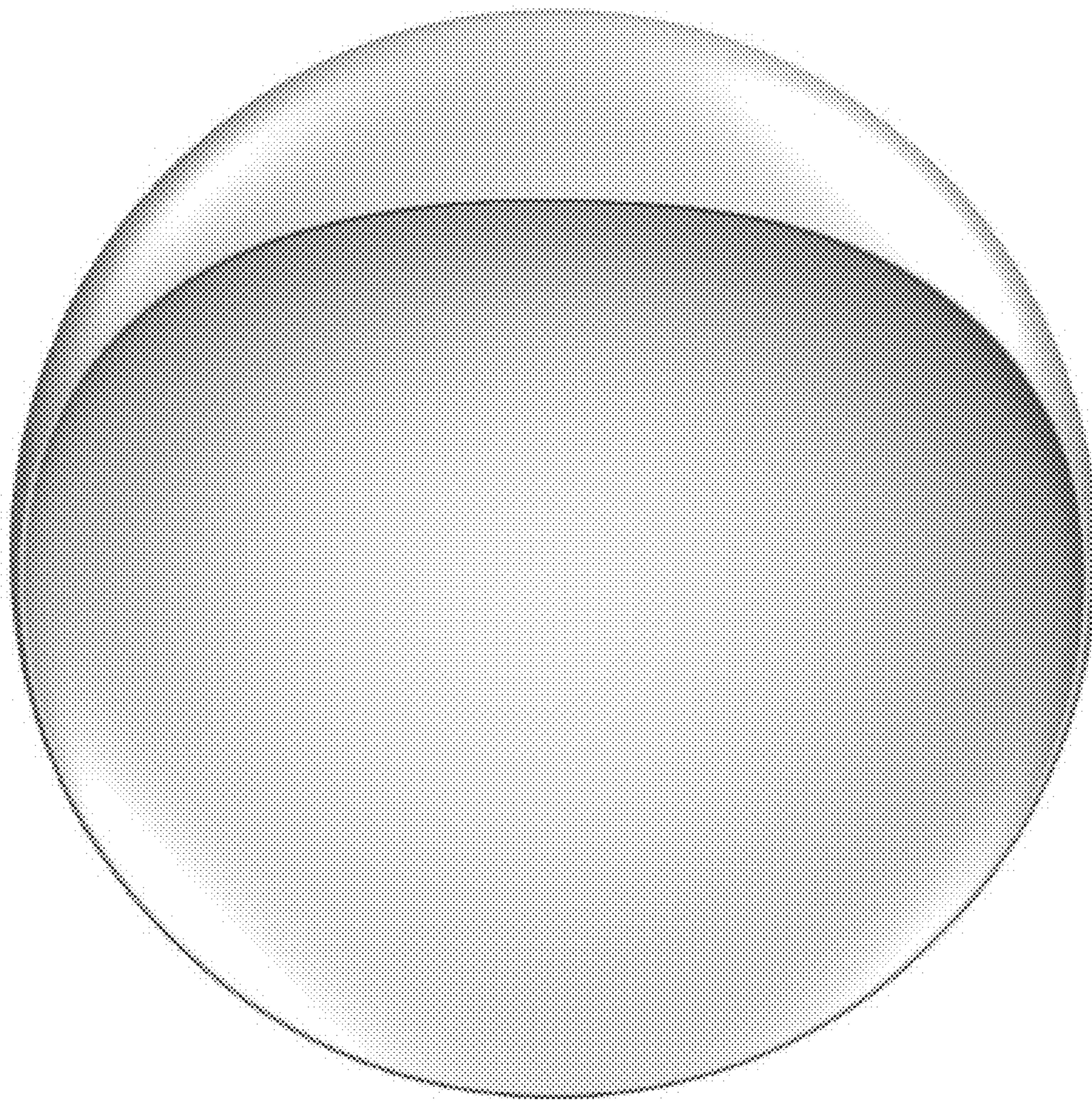
1. Wall lamp
- 1.1 is a top view.
- 1.2 is a front view.
- 1.3 is a top perspective view.
- 1.4 is another top perspective view.
- 1.5 is a left side view.
- 1.6 is a right side.
- 1.7 is a bottom view.

See application file for complete search history.

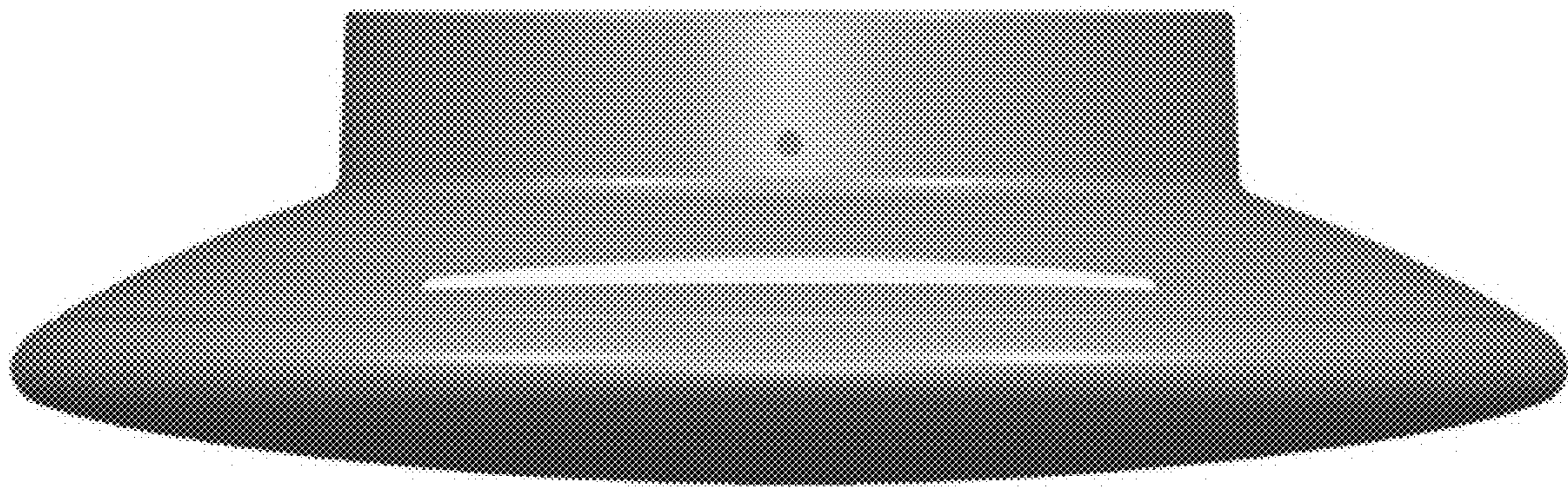
1 Claim, 7 Drawing Sheets



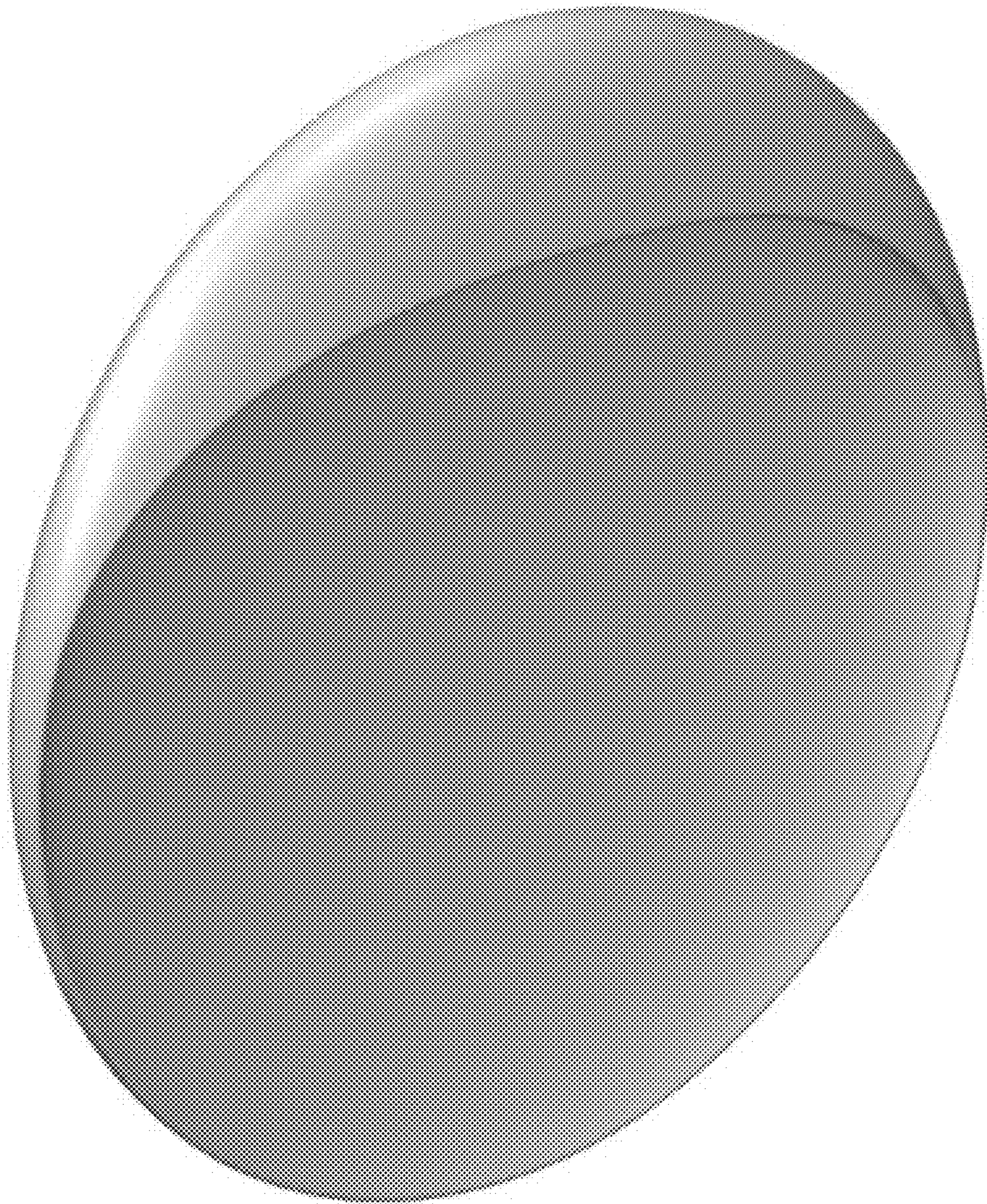
1.1



1.2



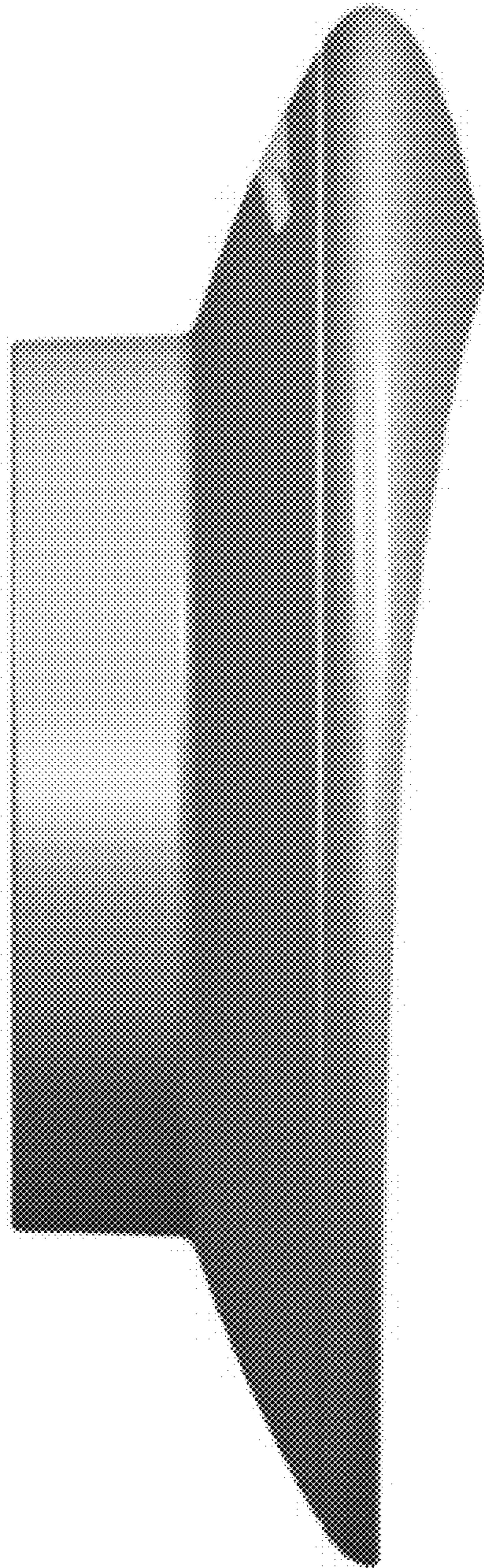
1.3



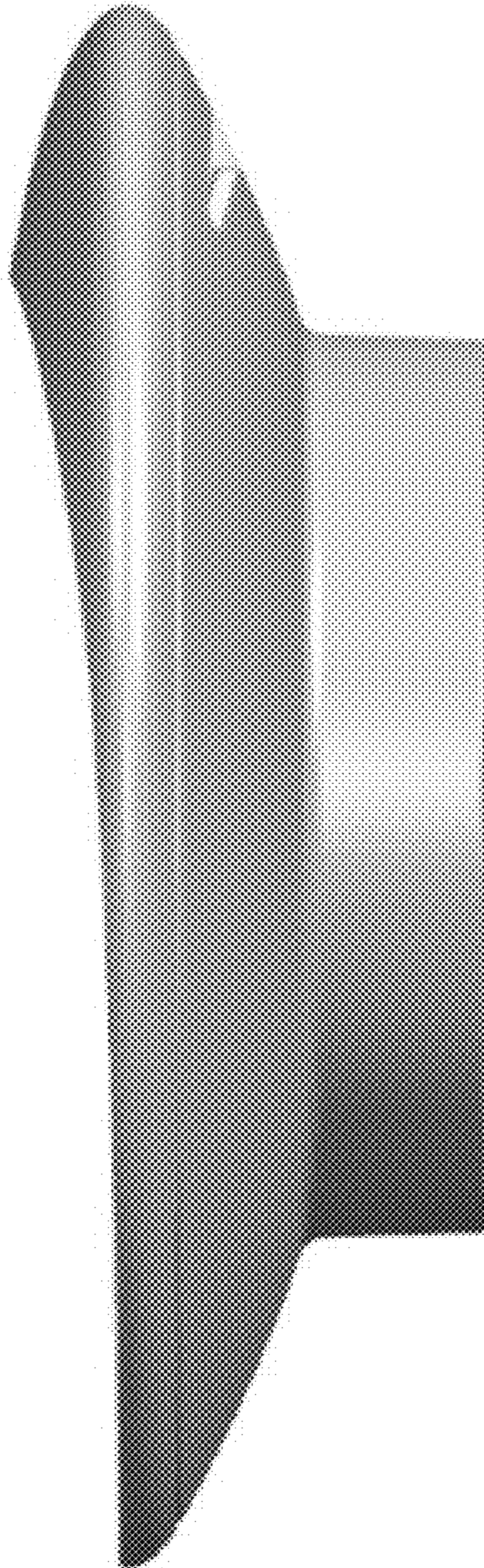
1.4



1.5



1.6



1.7

