

US00D867644S

(12) **United States Design Patent** (10) **Patent No.:** **US D867,644 S**  
**Luo** (45) **Date of Patent:** **\*\* Nov. 19, 2019**

(54) **SOLAR SPOTLIGHT**

FOREIGN PATENT DOCUMENTS

(71) Applicant: **Shen Luo**, Guangdong (CN)

CN 301709923 S 10/2011

(72) Inventor: **Shen Luo**, Guangdong (CN)

CN 301709924 S 10/2011

CN 303607316 S 3/2016

(\*\*) Term: **15 Years**

OTHER PUBLICATIONS

(21) Appl. No.: **29/688,051**

InnoGear Upgraded 6 LED Solar Spotlights Outdoor for Yard Garden Driveway, [online],[site visited Sep. 3, 2019]. Available from Internet, <<https://www.amazon.com/dp/B07V7S7YQF>>, 9 pages (Year: 2019).\*

(22) Filed: **Apr. 17, 2019**

(51) **LOC (12) Cl.** ..... **26-05**

(52) **U.S. Cl.**  
USPC ..... **D26/68; D26/51**

\* cited by examiner

(58) **Field of Classification Search**  
USPC ..... D26/51, 67-71; D13/102  
CPC .... F21V 3/0445; F21V 21/32; F21V 21/0824;  
F21S 6/005; F21S 6/0032; F21S 8/081;  
F21S 8/083; F21S 8/085; F21S 8/088;  
F21S 9/03; F21S 9/035; F21S 9/037;  
F21W 2131/103; F21W 2131/109  
See application file for complete search history.

*Primary Examiner* — Lakiya G Rogers

*Assistant Examiner* — Carissa C Fitts

(74) *Attorney, Agent, or Firm* — Wayne & Ken, LLC;  
Tony Hom

(57) **CLAIM**

The ornamental design for a solar spotlight, as shown and described.

(56) **References Cited**

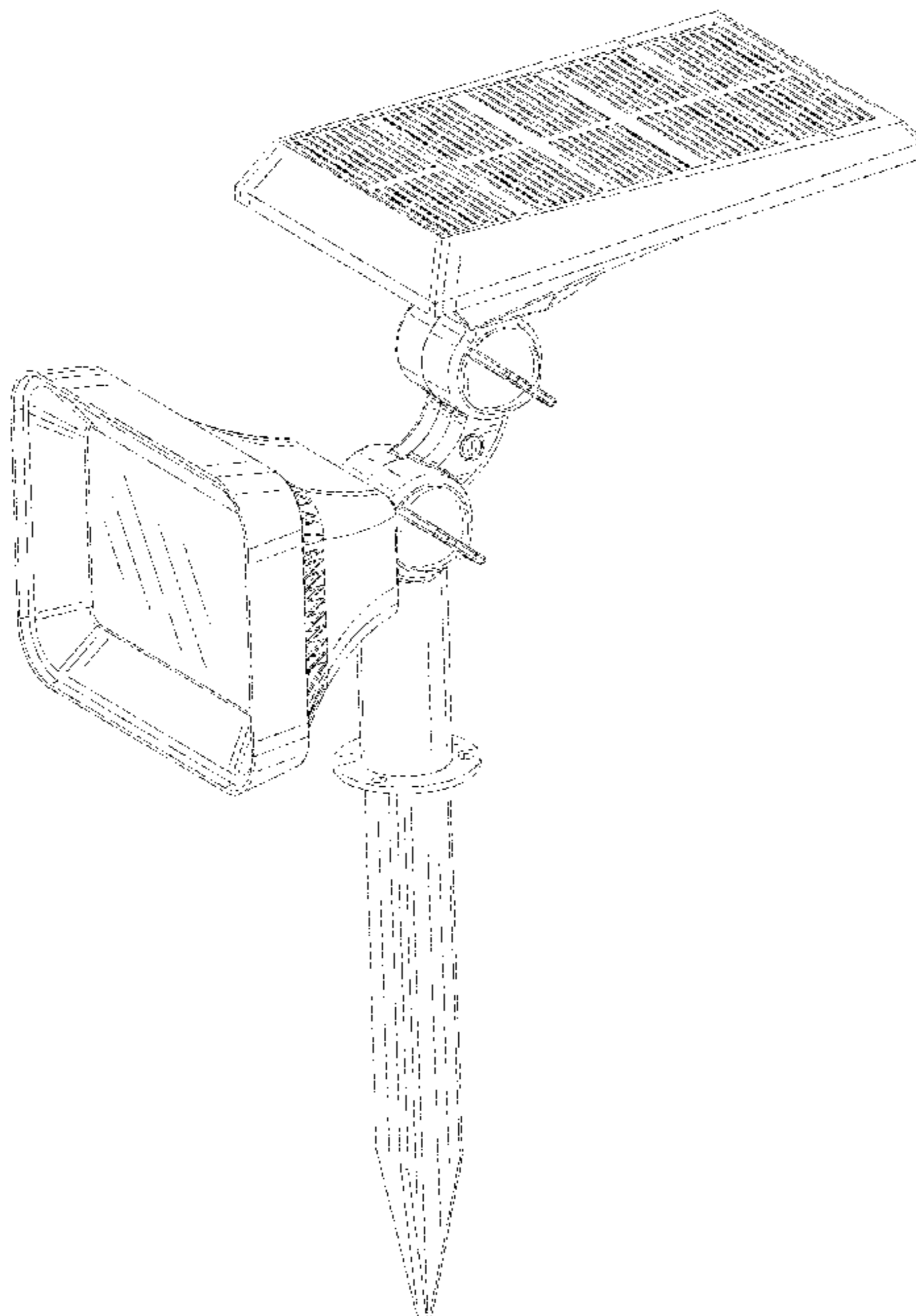
**DESCRIPTION**

U.S. PATENT DOCUMENTS

D533,298 S	12/2006	Kuelbs et al.	
D574,988 S *	8/2008	Cheng	D26/63
D608,924 S *	1/2010	Snyder	D13/102
D615,688 S *	5/2010	Chen	D26/63
D647,234 S *	10/2011	Izardel	D26/65
D785,224 S *	4/2017	Tsai	D26/68
D810,342 S *	2/2018	Chen	D26/68
D821,626 S *	6/2018	Hou	D26/69
D822,875 S *	7/2018	Hou	D26/87
D846,791 S *	4/2019	Liang	D26/113
2004/0228123 A1 *	11/2004	Stewart	F21S 9/032 362/183
2015/0103378 A1	4/2015	Basil	

FIG. 1 is a perspective view of a solar spotlight showing my new design;  
FIG. 2 is another perspective view thereof;  
FIG. 3 is a front view thereof;  
FIG. 4 is a back view thereof;  
FIG. 5 is a left view thereof;  
FIG. 6 is a right view thereof;  
FIG. 7 is a top view thereof; and,  
FIG. 8 is a bottom view thereof.  
The broken lines in the figures form no part of the claimed design.

**1 Claim, 8 Drawing Sheets**



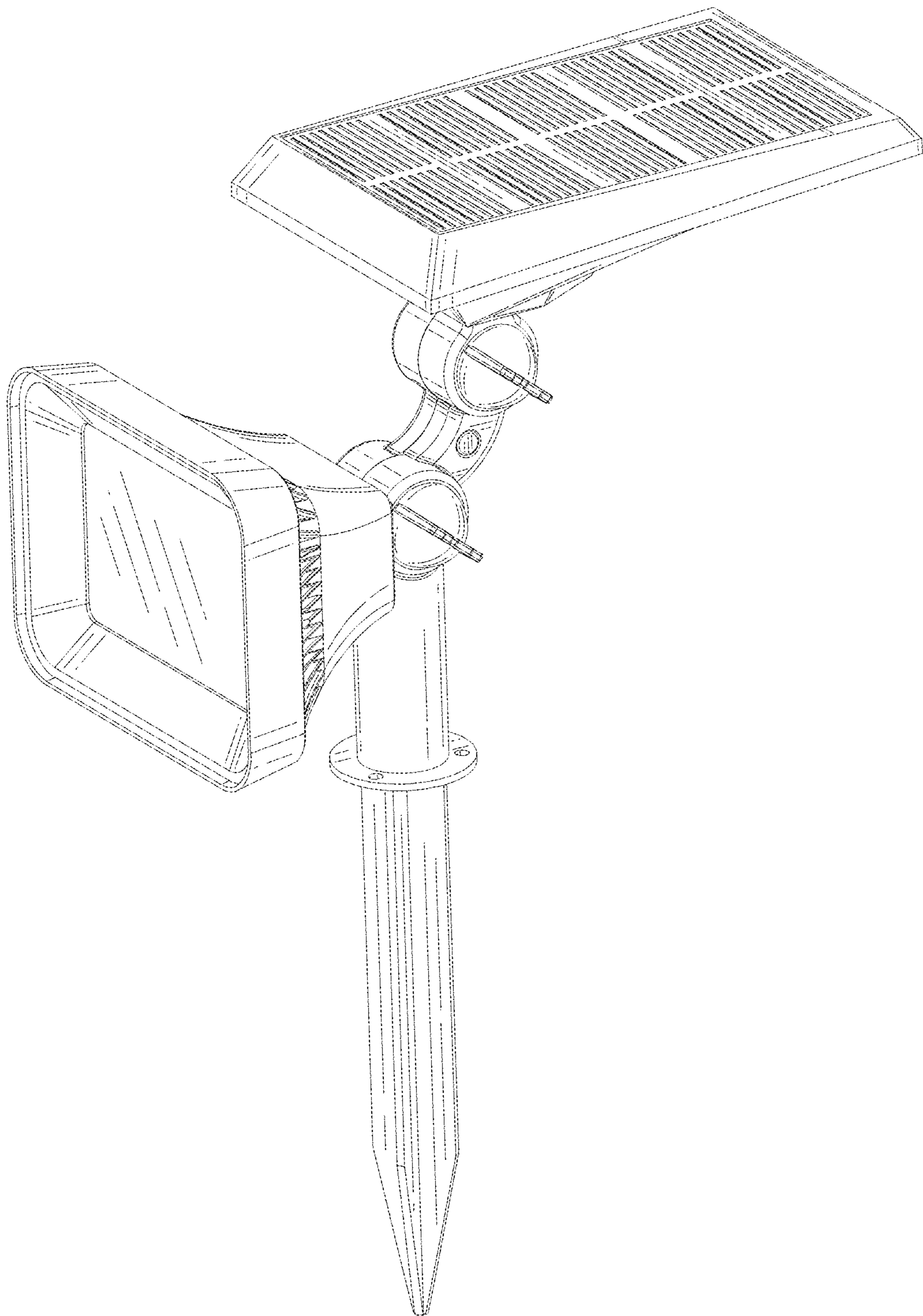


FIG. 1

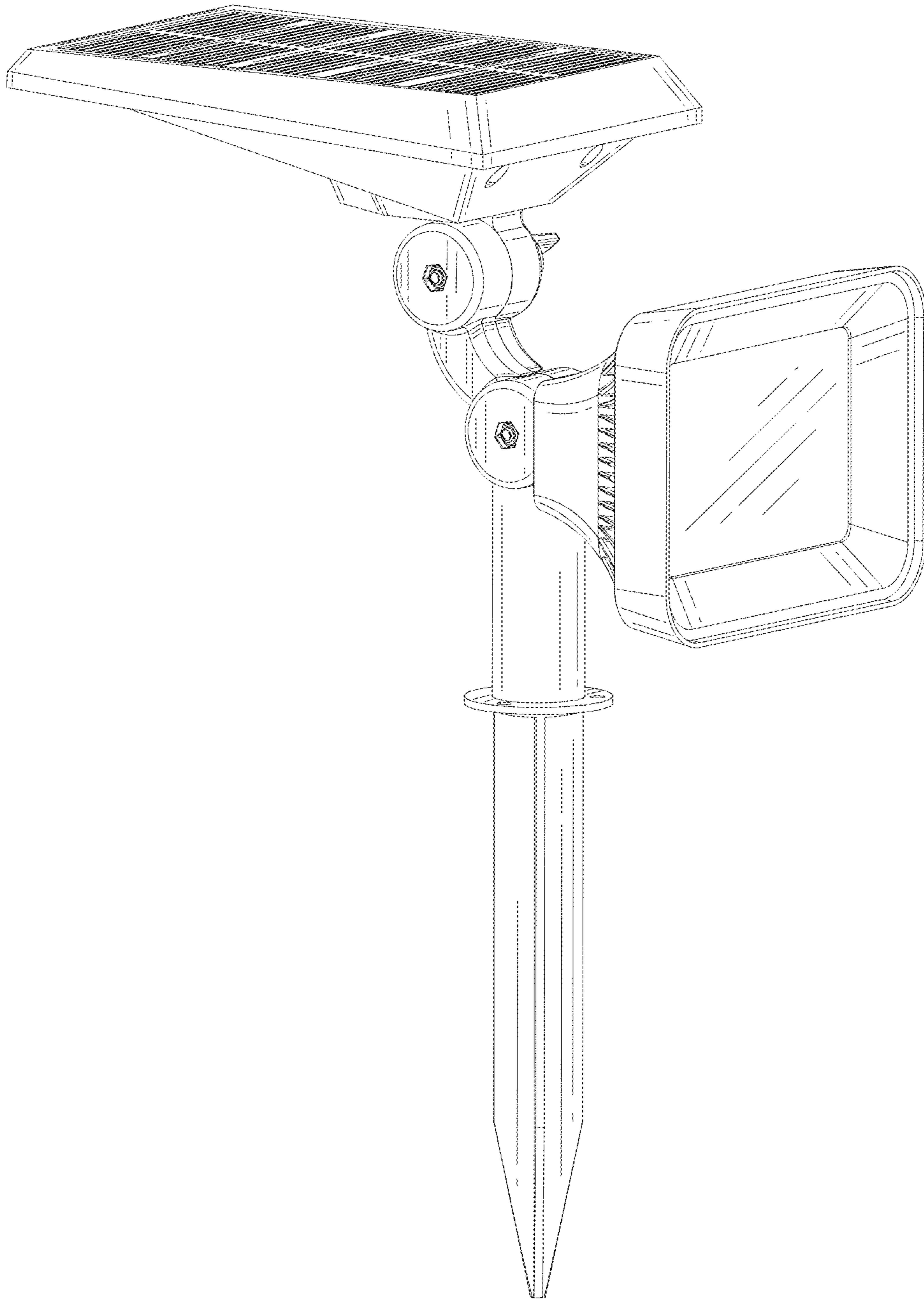


FIG. 2

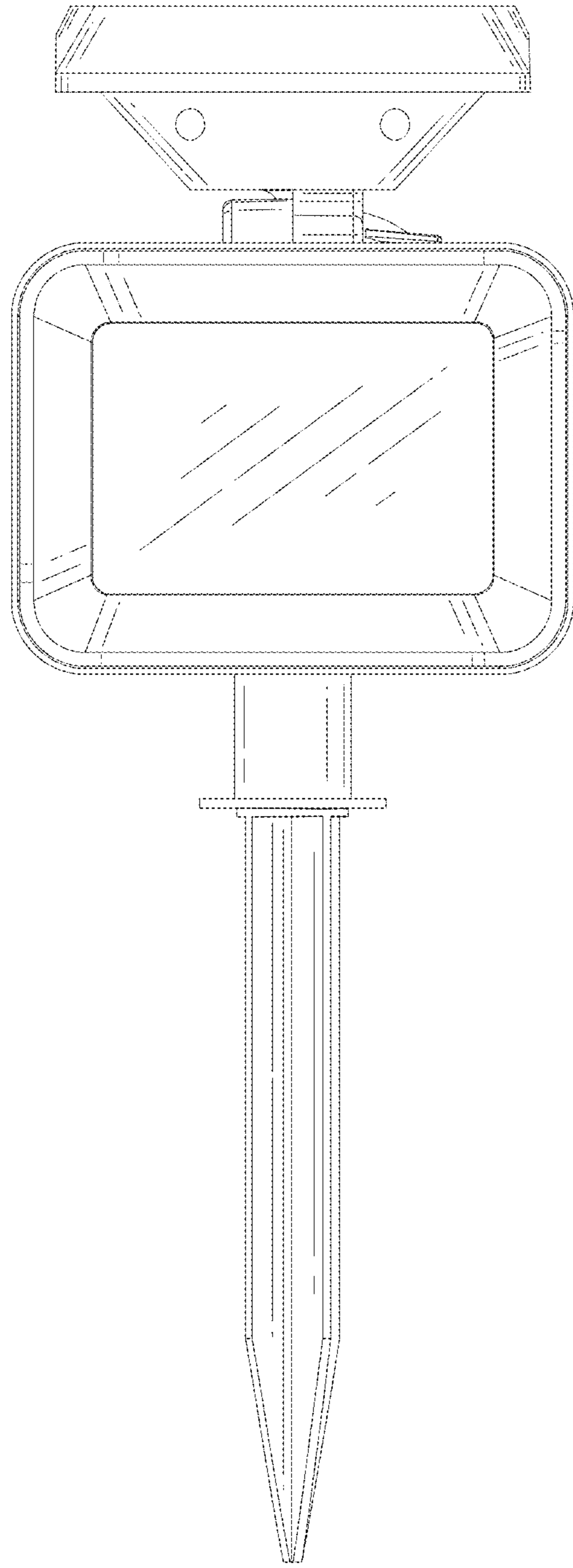


FIG. 3

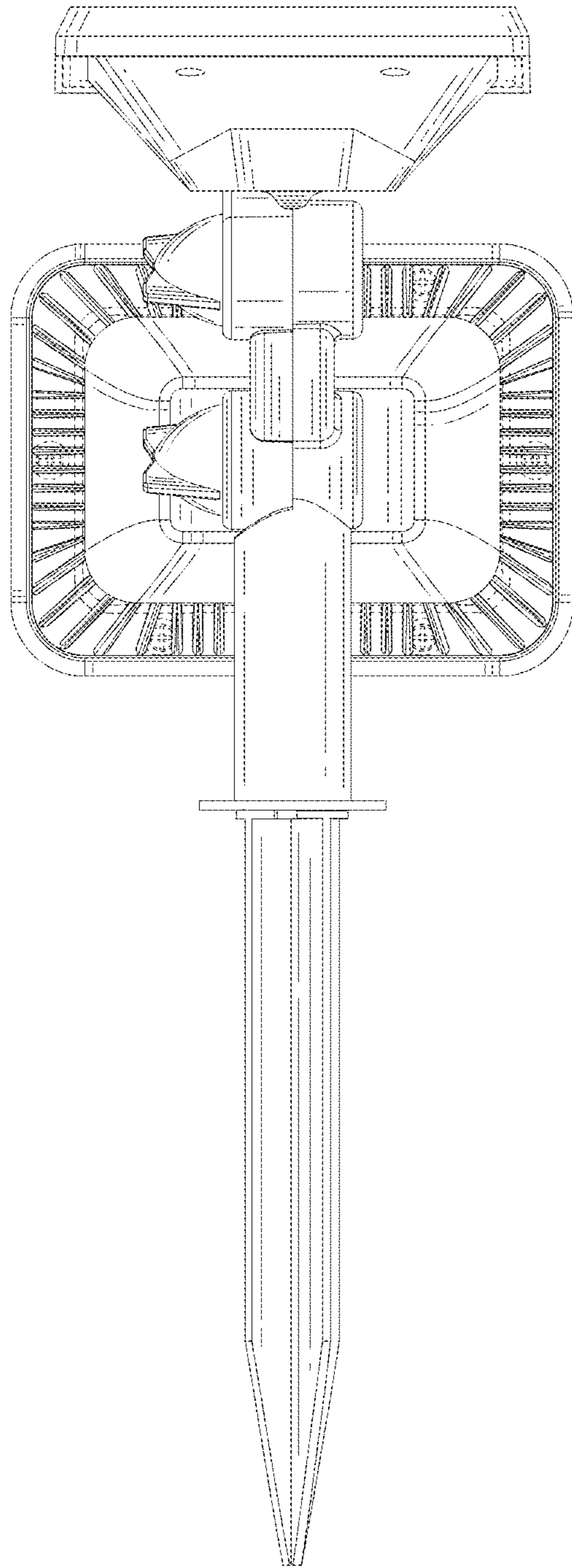


FIG. 4

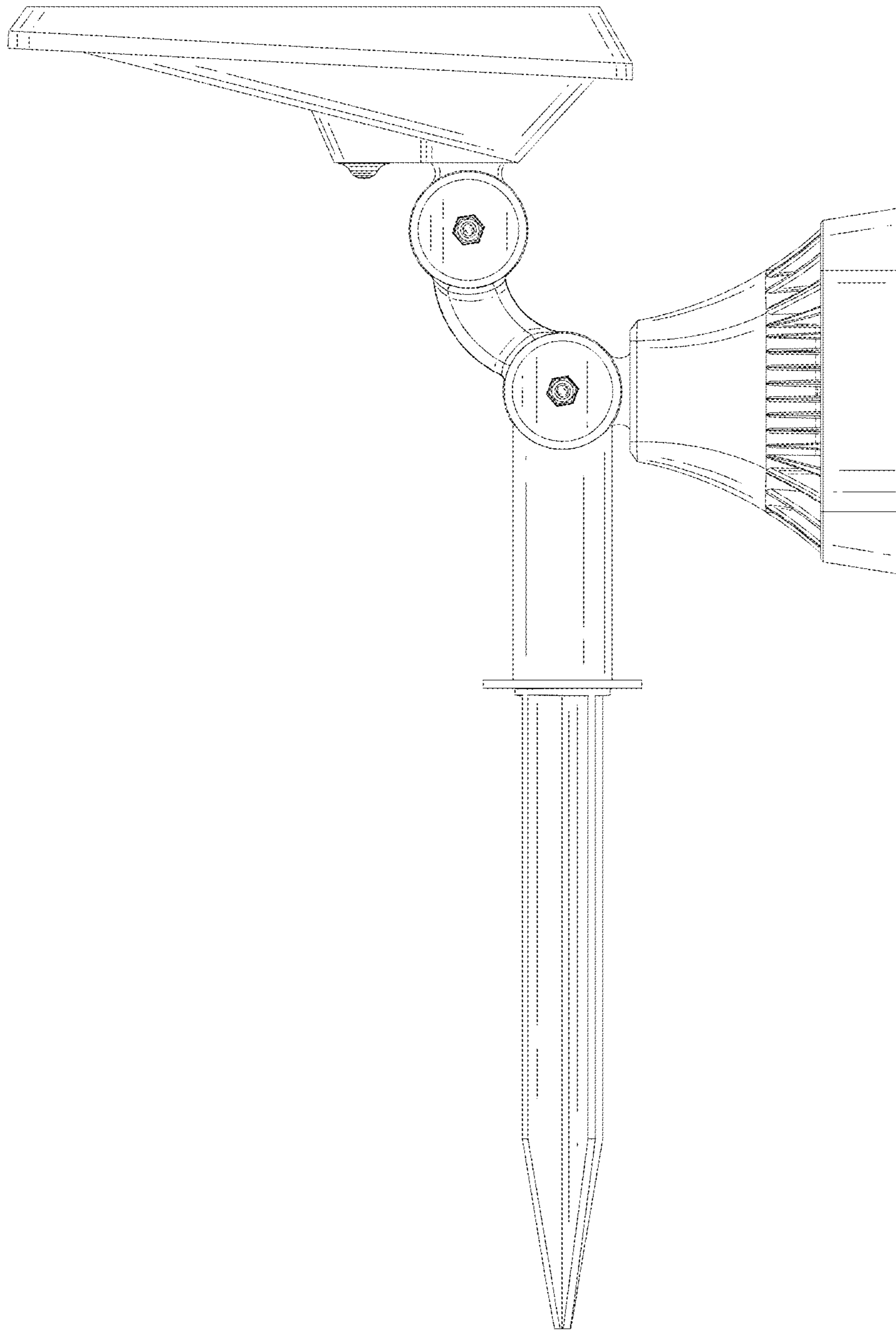


FIG. 5

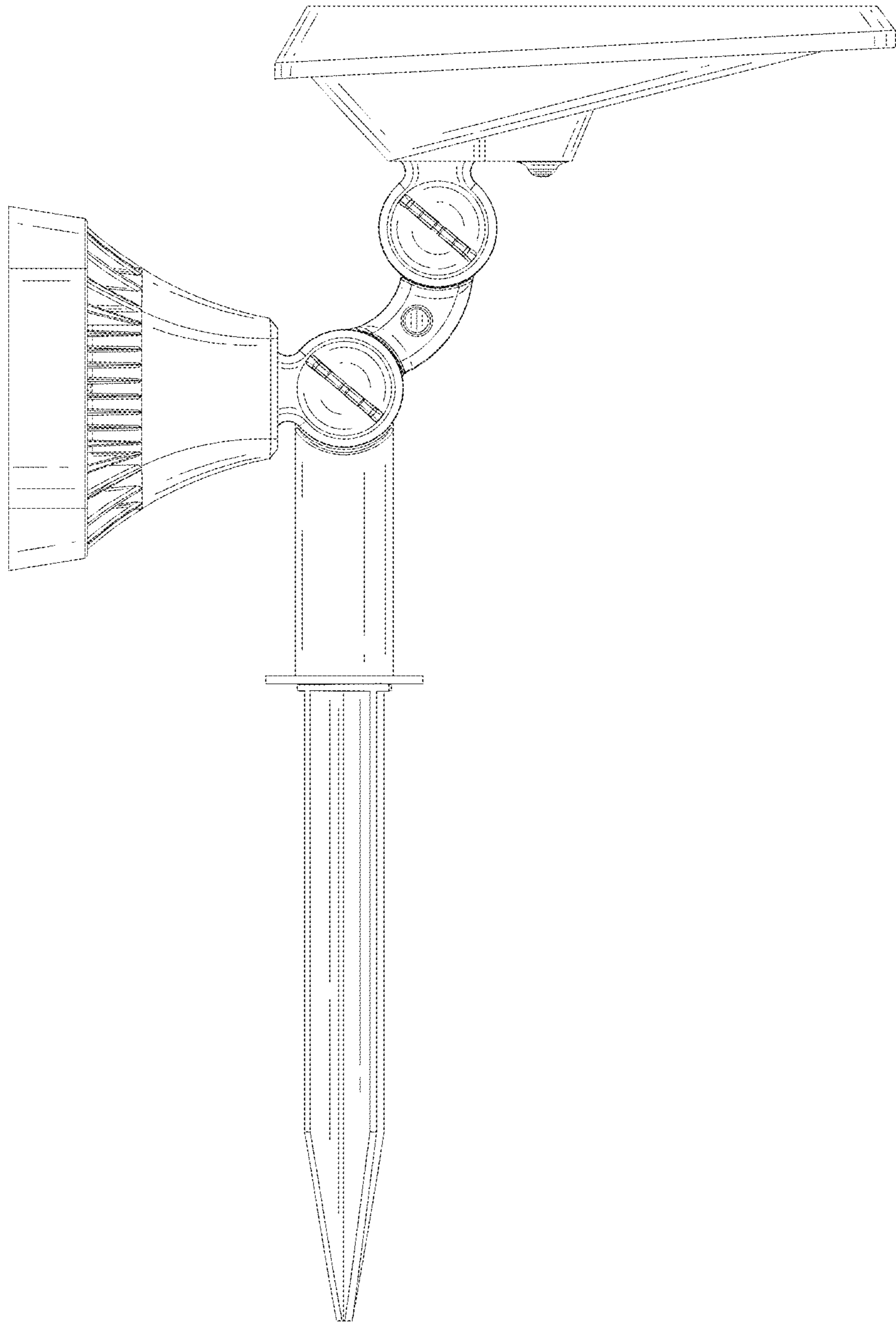


FIG. 6

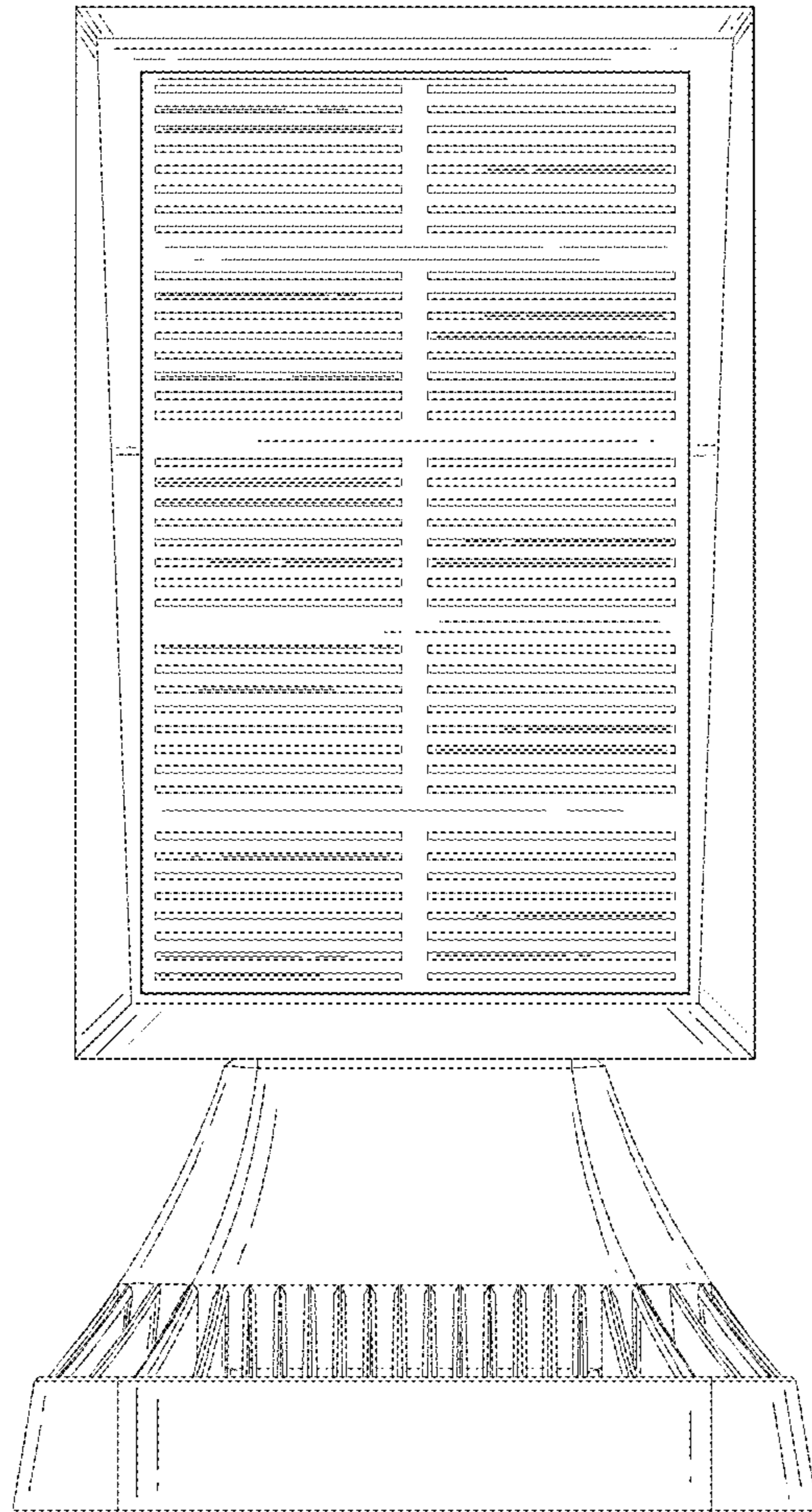


FIG. 7



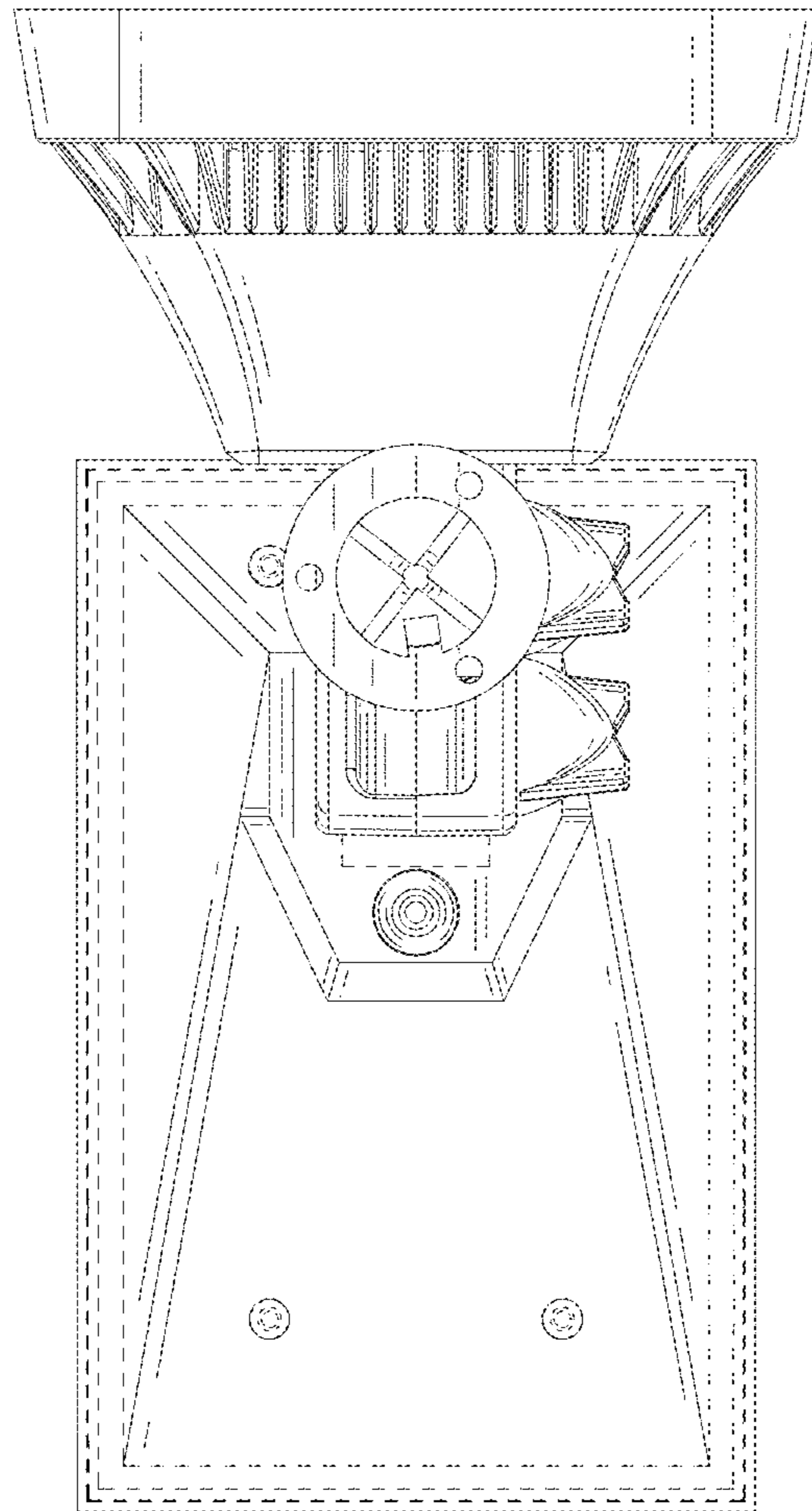


FIG. 8