



US00D867641S

(12) **United States Design Patent** (10) **Patent No.:** **US D867,641 S**  
**Hubert et al.** (45) **Date of Patent:** **\*\* Nov. 19, 2019**

- (54) **HEADLAMP**
- (71) Applicant: **Coast Cutlery Co.**, Portland, OR (US)
- (72) Inventors: **Stephen E. Hubert**, Portland, OR (US);  
**David D. Lewin**, Portland, OR (US)
- (73) Assignee: **Coast Cutlery Co.**, Portland, OR (US)
- (\*\*) Term: **15 Years**
- (21) Appl. No.: **29/636,294**
- (22) Filed: **Feb. 7, 2018**
- (51) **LOC (12) Cl.** ..... **26-02**
- (52) **U.S. Cl.**  
USPC ..... **D26/39**
- (58) **Field of Classification Search**  
USPC ..... D26/37-51  
CPC ..... F21L 2003/00; F21L 4/00; F21L 4/005;  
F21L 4/02; F21L 4/025; F21L 4/027;  
F21L 4/04; F21L 4/08; F21L 2005/00;  
F21L 7/00; F21L 11/00; F21L 13/00;  
F21L 13/04; F21L 13/08; F21L 14/02;  
F21L 17/00; F21L 19/00; F21L 25/00  
See application file for complete search history.

(56) **References Cited**

U.S. PATENT DOCUMENTS

- |            |   |         |             |       |        |
|------------|---|---------|-------------|-------|--------|
| D383,229 S | * | 9/1997  | Kiichiro    | ..... | D26/39 |
| D499,199 S | * | 11/2004 | Cooper      | ..... | D26/39 |
| D533,954 S | * | 12/2006 | Opolka      | ..... | D26/39 |
| D552,278 S | * | 10/2007 | Spartano    | ..... | D26/39 |
| D576,325 S | * | 9/2008  | Kim         | ..... | D26/39 |
| D583,971 S | * | 12/2008 | Castellucci | ..... | D26/39 |
| D620,160 S | * | 7/2010  | Kang        | ..... | D26/39 |
| D624,221 S | * | 9/2010  | DeBrunner   | ..... | D26/39 |
| D625,863 S | * | 10/2010 | Kingston    | ..... | D26/39 |
| D635,702 S | * | 4/2011  | Hesse       | ..... | D26/39 |
| D683,489 S | * | 5/2013  | Lee         | ..... | D26/39 |
| D721,842 S | * | 1/2015  | Opolka      | ..... | D26/39 |
| D724,248 S | * | 3/2015  | Brands      | ..... | D26/39 |

- |            |   |         |            |       |         |
|------------|---|---------|------------|-------|---------|
| D726,356 S | * | 4/2015  | Windom     | ..... | D13/103 |
| D734,518 S | * | 7/2015  | Zimmermann | ..... | D26/39  |
| D744,135 S | * | 11/2015 | Menjor     | ..... | D26/39  |
| D747,021 S | * | 1/2016  | Hunnewell  | ..... | D26/39  |
| D752,259 S | * | 3/2016  | Hine       | ..... | D26/39  |

(Continued)

*Primary Examiner* — Lakiya G Rogers

*Assistant Examiner* — Carissa C Fitts

(74) *Attorney, Agent, or Firm* — Schwabe Williamson & Wyatt, P.C.

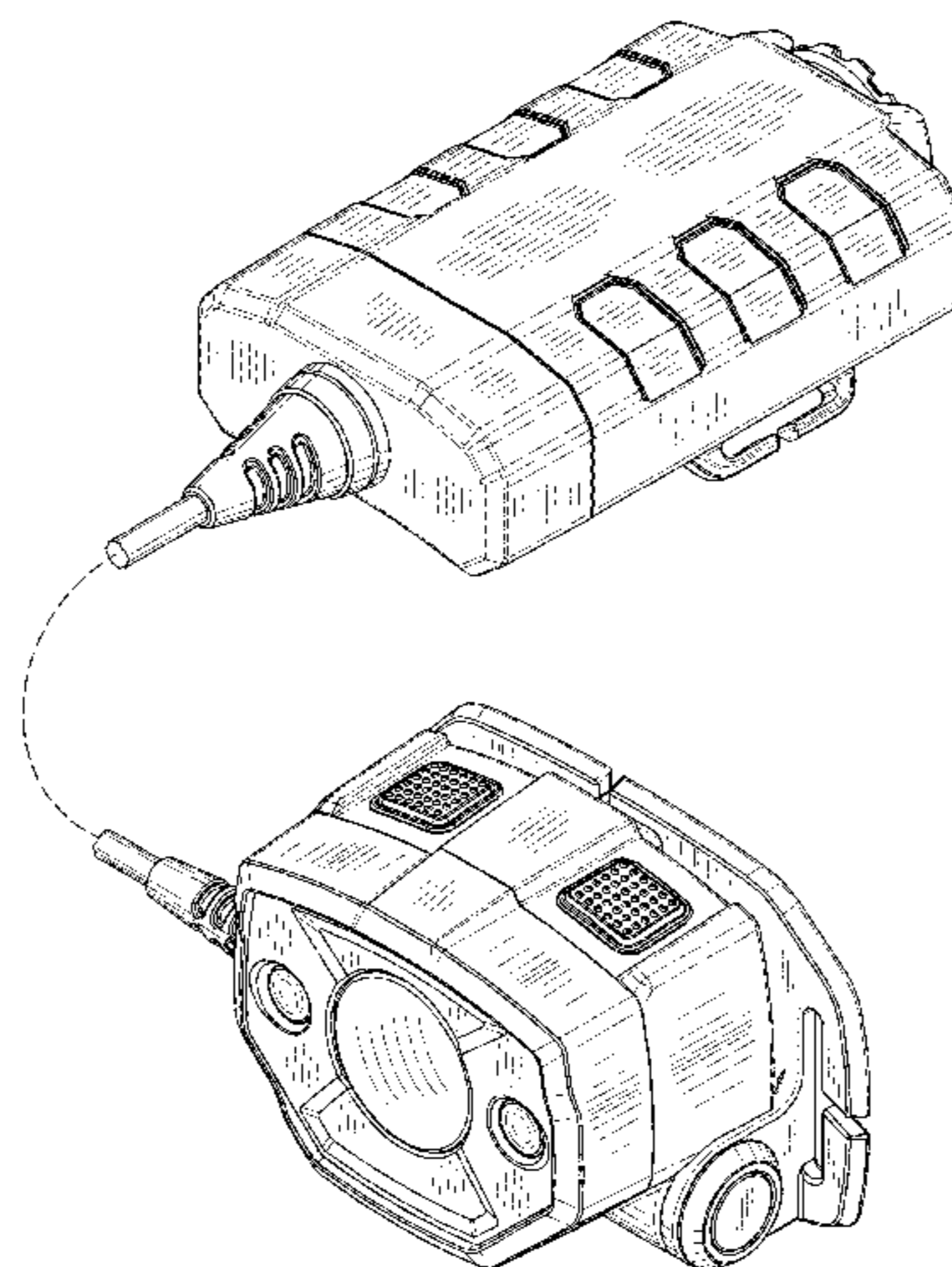
(57) **CLAIM**

We claim the ornamental design for a headlamp, as shown and described.

**DESCRIPTION**

FIG. 1 is a perspective view showing both the headlamp and the battery case showing my new design;  
FIG. 2 is a front elevation view of the headlamp of FIG. 1, shown with the battery case removed;  
FIG. 3 is a rear elevation view thereof;  
FIG. 4 is a top plan view thereof;  
FIG. 5 is a bottom view thereof;  
FIG. 6 is a right side elevation view thereof;  
FIG. 7 is a left side elevation view thereof;  
FIG. 8 is a left side elevation view of the headlamp of FIGS. 1-7, with the headlamp angled slightly downwardly;  
FIG. 9 is a rear elevation view of the battery pack of FIG. 1, with the headlamp removed;  
FIG. 10 is a front elevation view thereof;  
FIG. 11 is a bottom view thereof;  
FIG. 12 is a top plan view thereof;  
FIG. 13 is a left side elevation view thereof; and,  
FIG. 14 is a right side elevation view thereof.  
The broken lines show portions of the headlamp which form no part of the claimed design, and the broken line connecting the two components of the claimed design in FIG. 1 are provided for environmental purposes only and form no part of the claimed design.

**1 Claim, 7 Drawing Sheets**



(56)

**References Cited**

U.S. PATENT DOCUMENTS

D758,630	S	*	6/2016	Li	.....	D26/39
D762,317	S	*	7/2016	Ormsbee	.....	D26/39
D782,716	S	*	3/2017	McLennan	.....	D26/37
D788,337	S	*	5/2017	Koshiba	.....	D26/39
D788,339	S	*	5/2017	Koshiba	.....	D26/39
D788,340	S	*	5/2017	Koshiba	.....	D26/39
D803,442	S	*	11/2017	Green	.....	D26/39
D805,667	S	*	12/2017	Green	.....	D26/39
D813,432	S	*	3/2018	Koshiba	.....	D26/39
D818,167	S	*	5/2018	Molnar	.....	D26/51
D828,597	S	*	9/2018	Petzl	.....	D26/39
D843,036	S	*	3/2019	Li	.....	D26/39
D843,037	S	*	3/2019	Li	.....	D26/39

\* cited by examiner

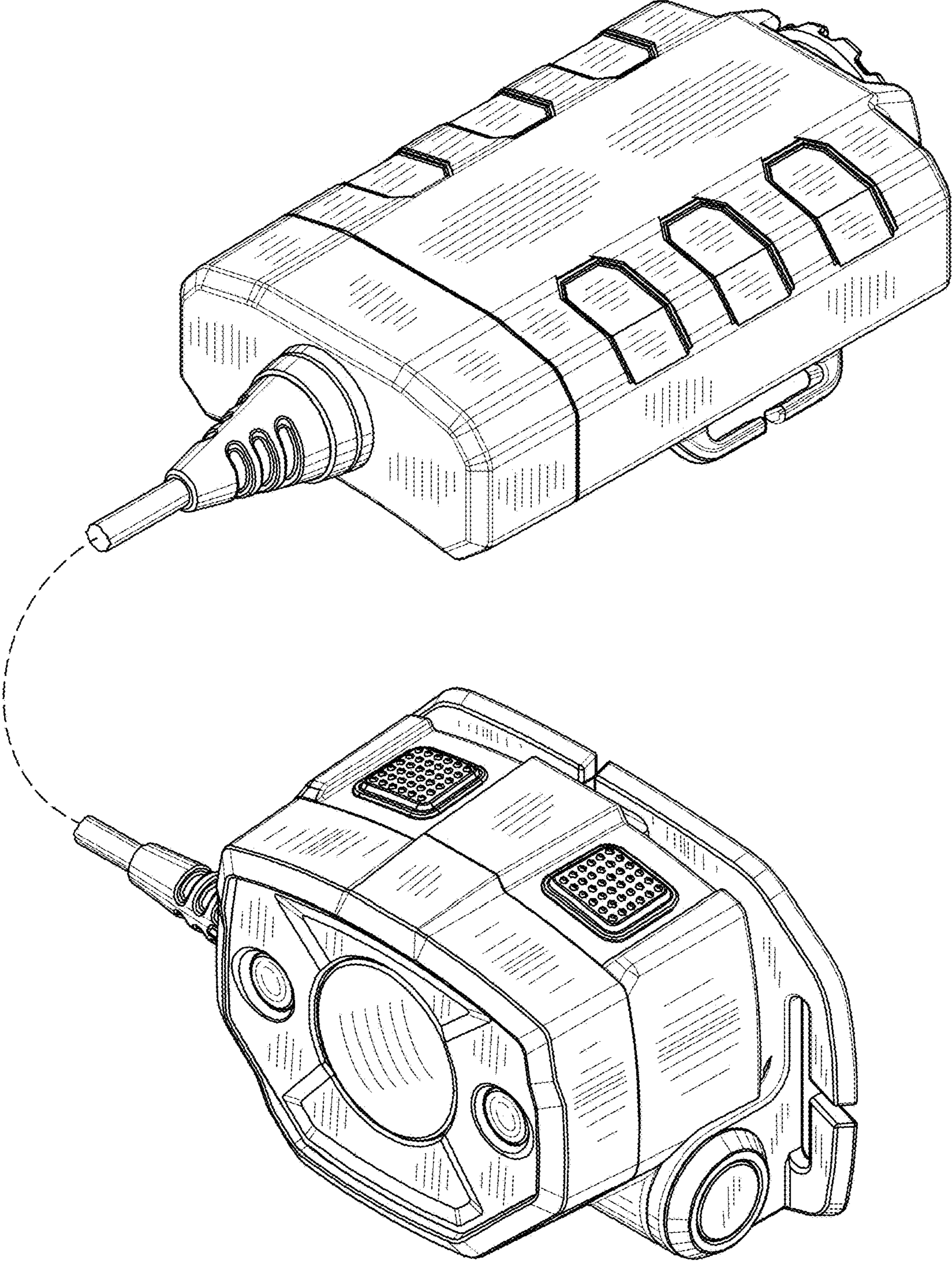


FIG. 1

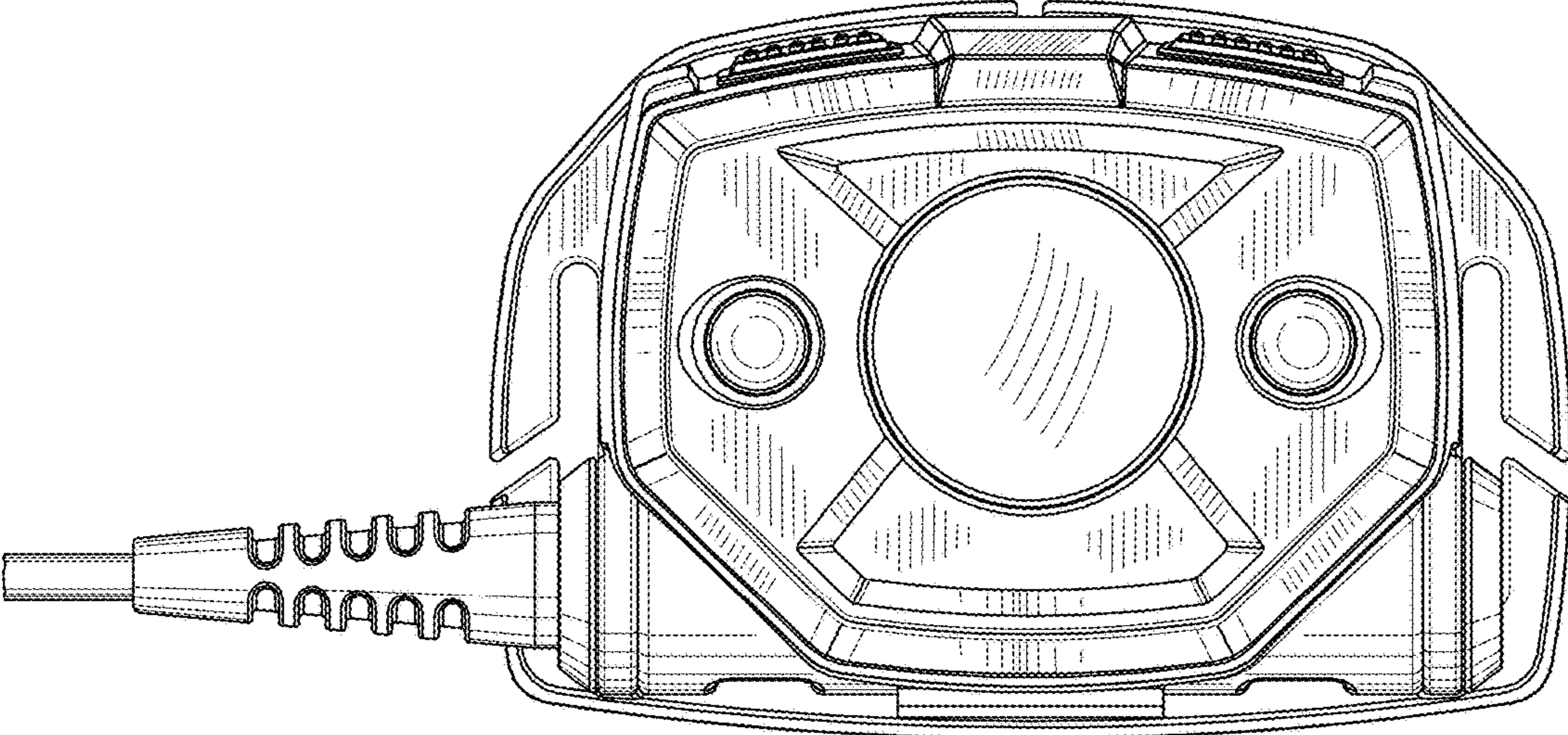


FIG. 2

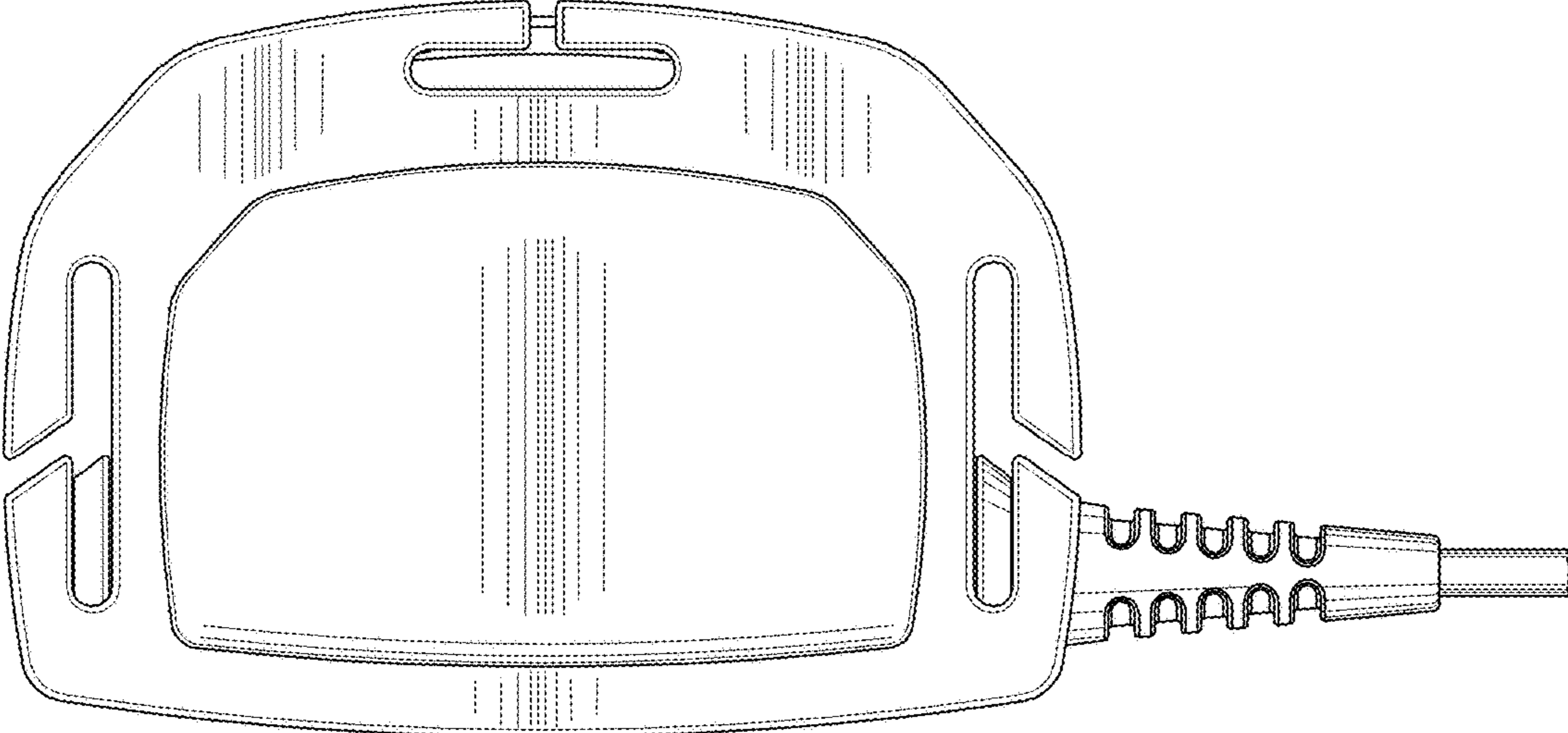


FIG. 3

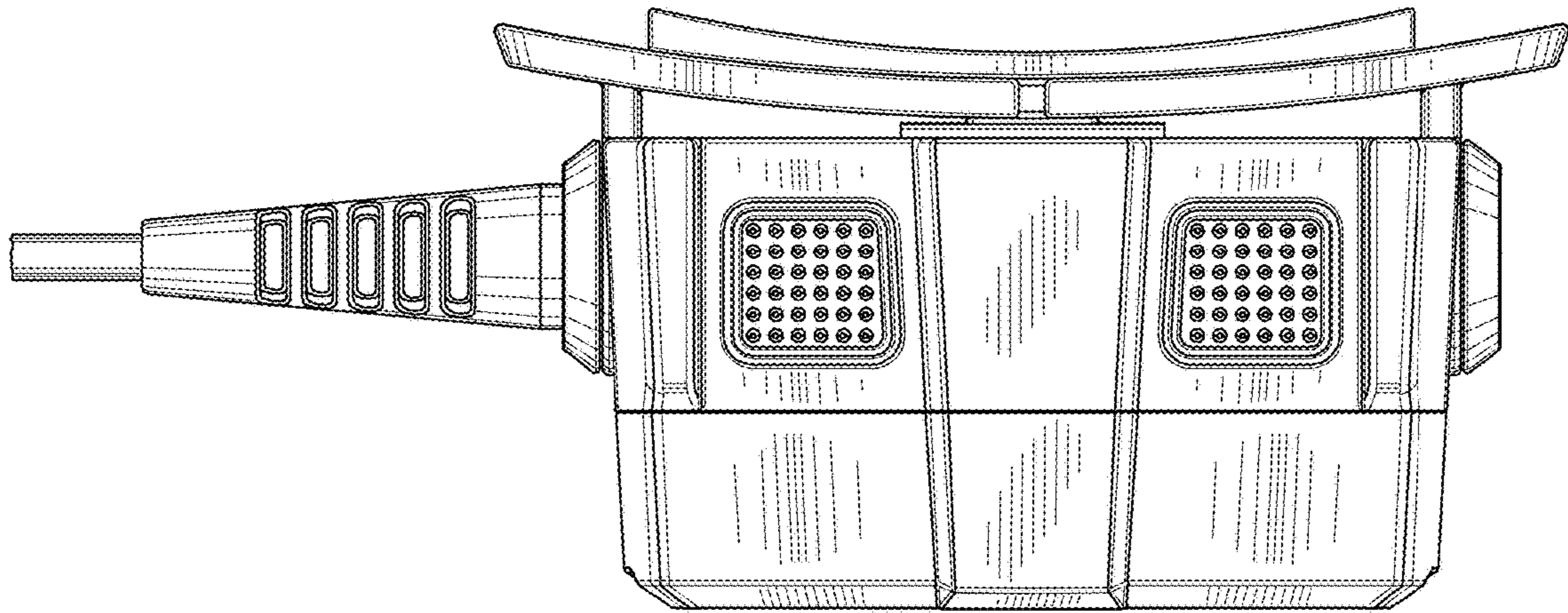


FIG. 4

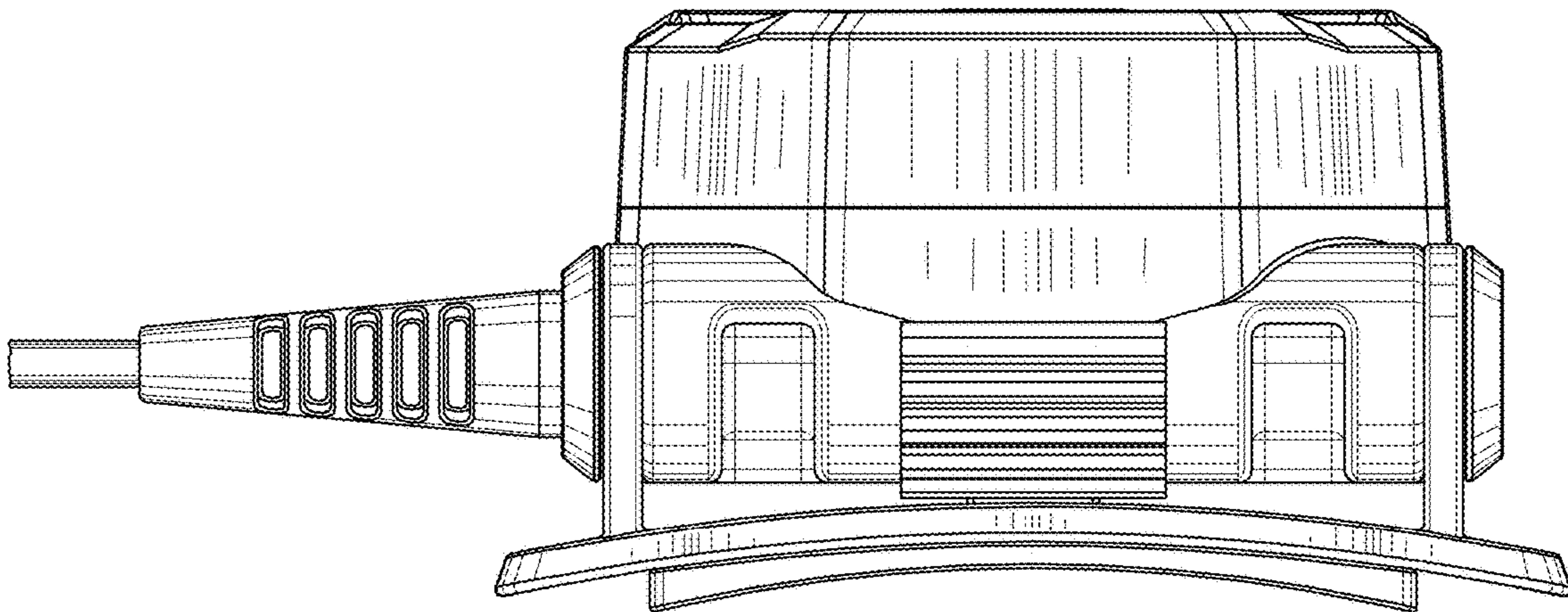


FIG. 5

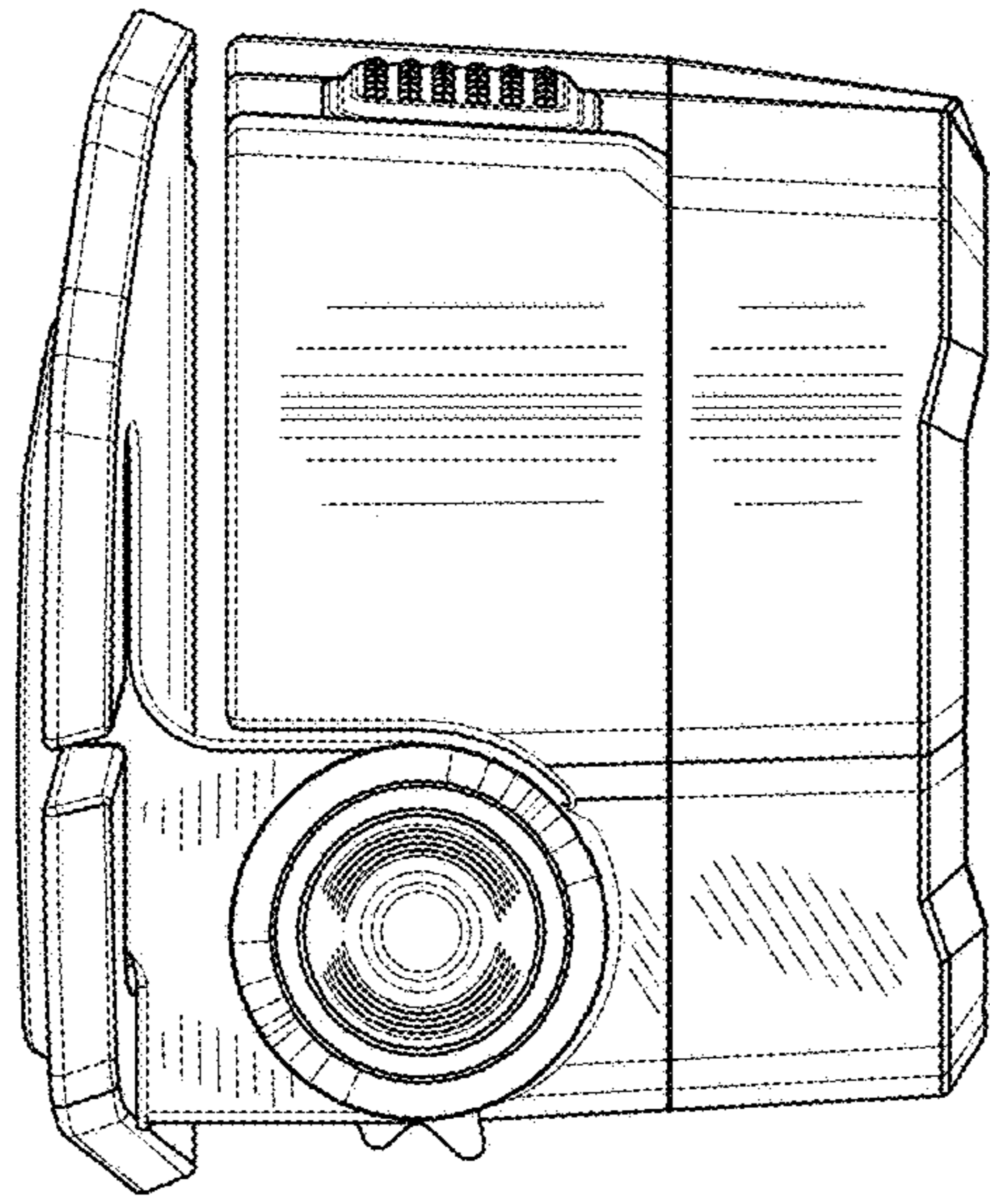


FIG. 6

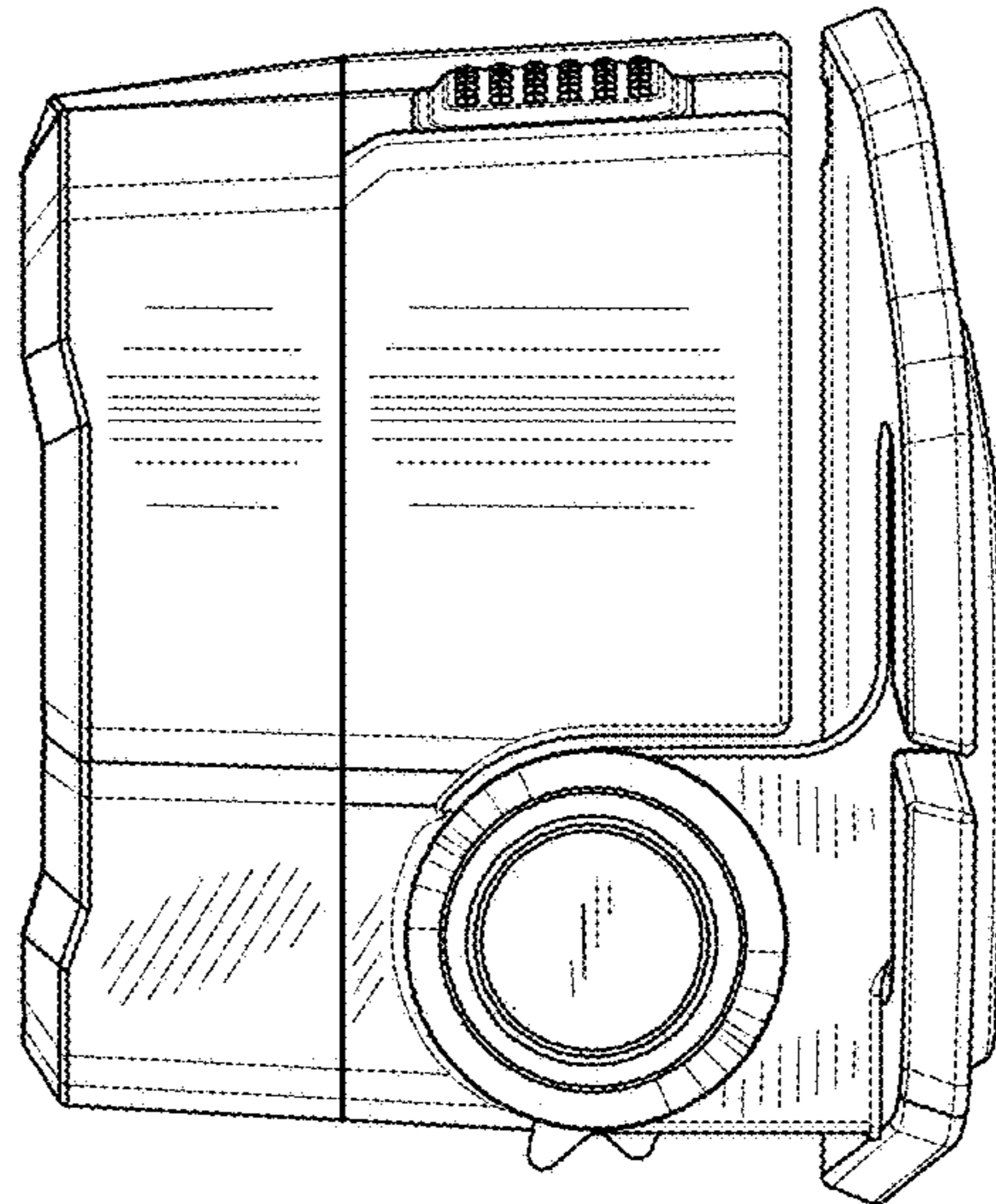


FIG. 7

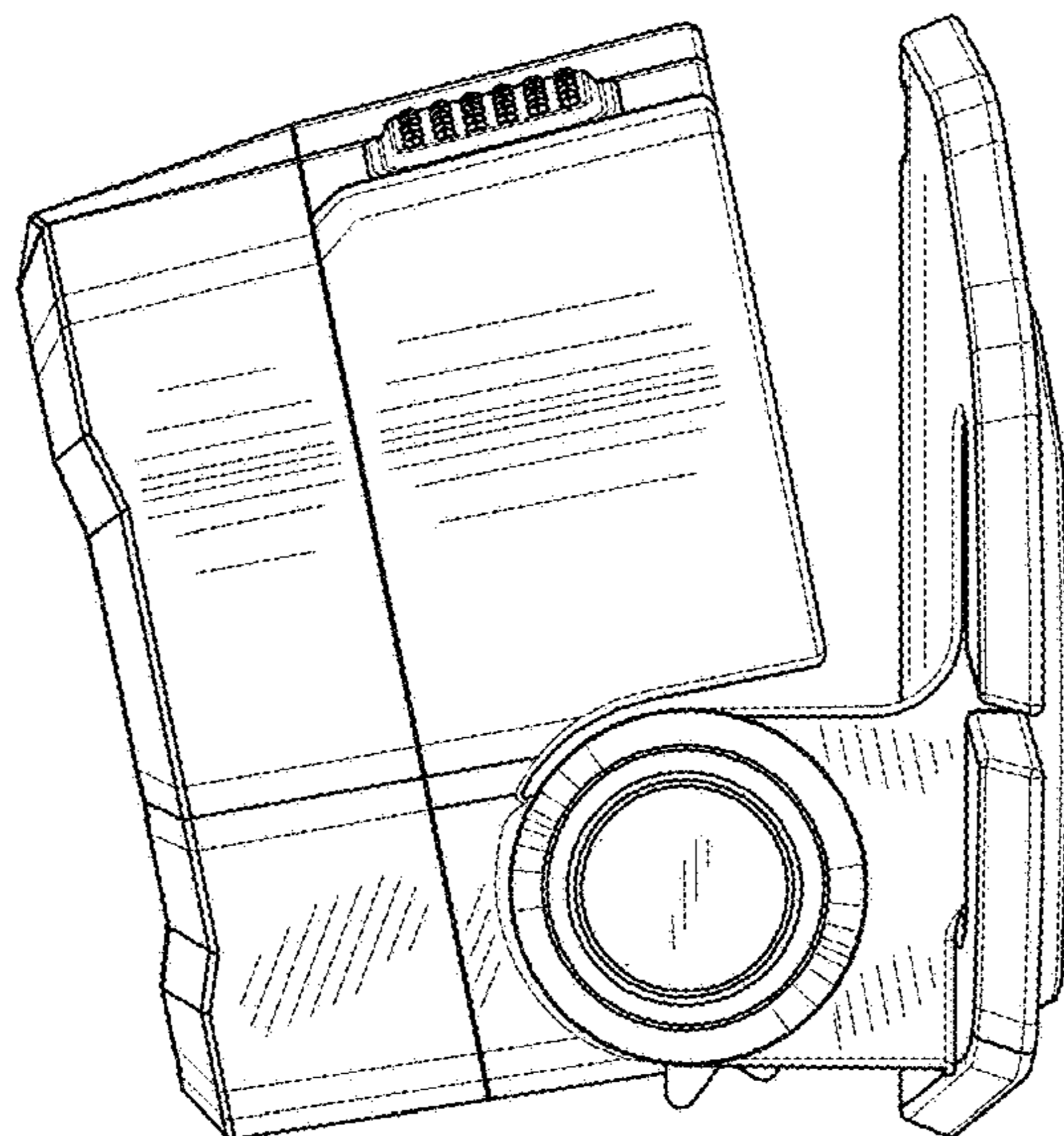
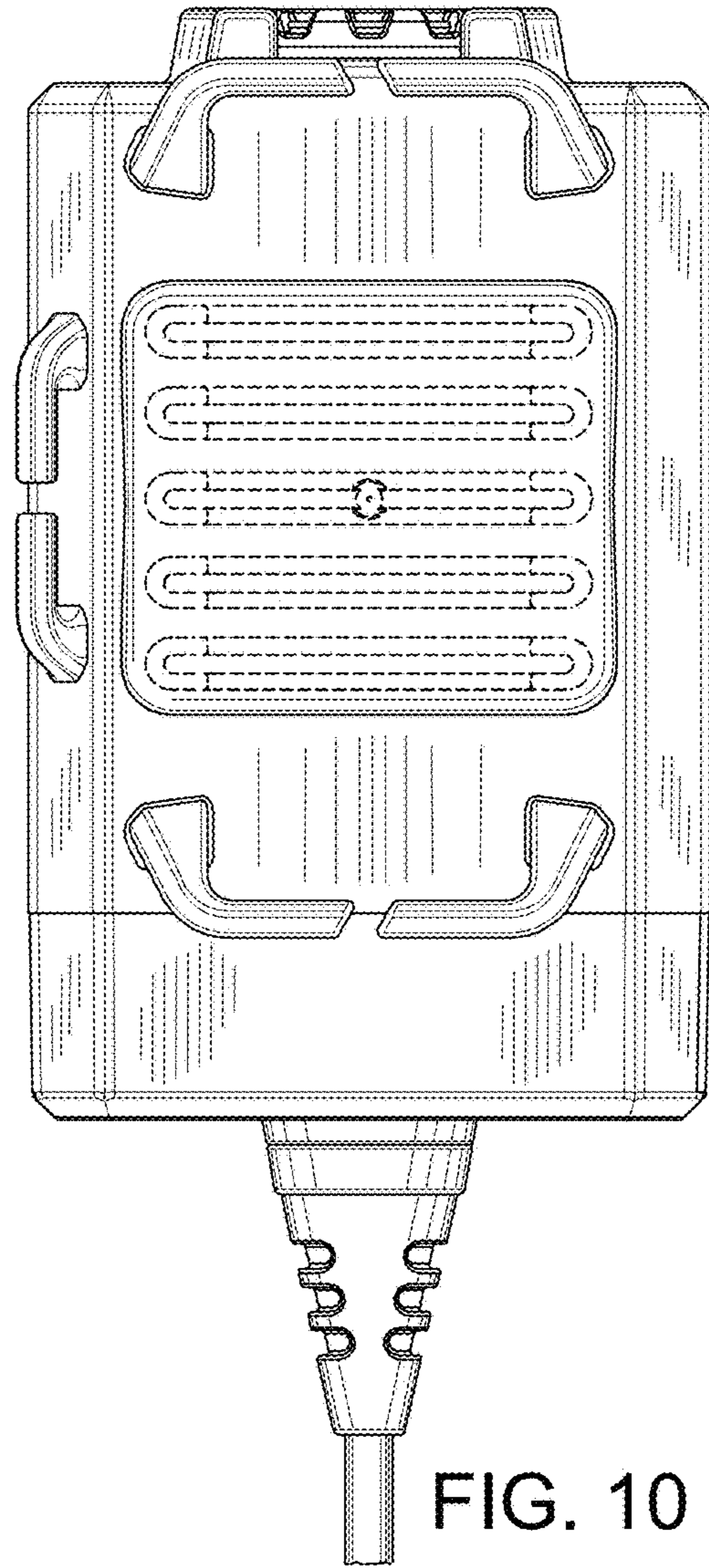
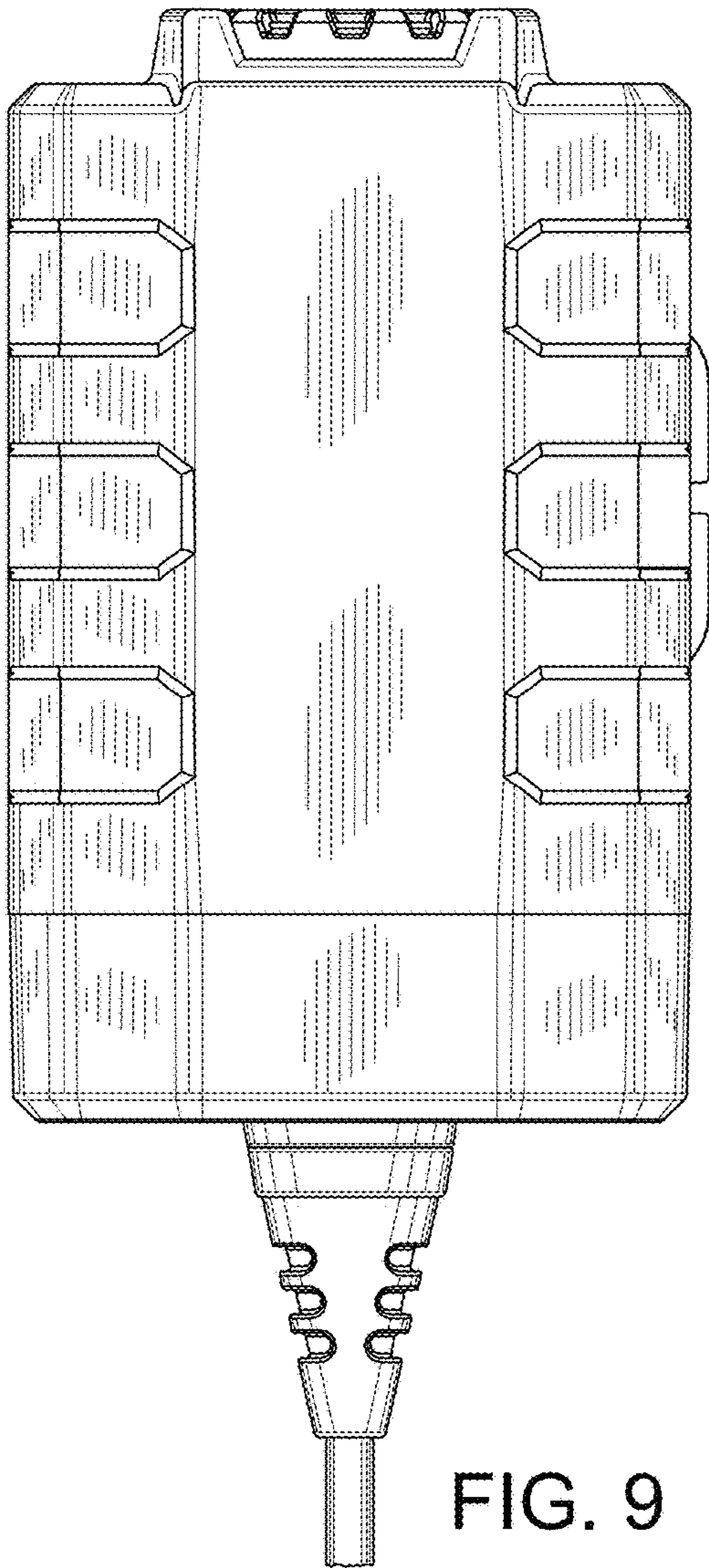


FIG. 8



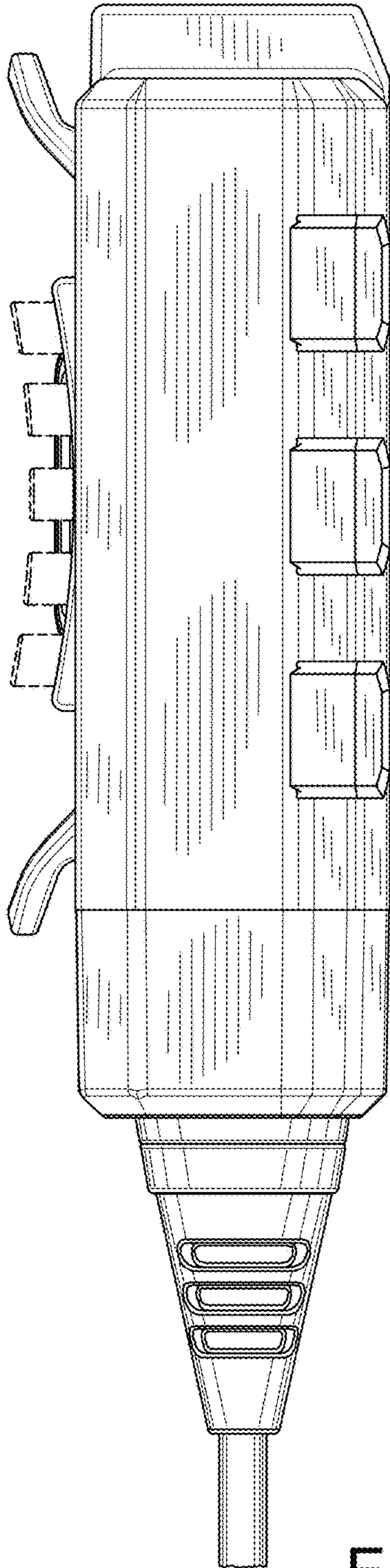


FIG. 11

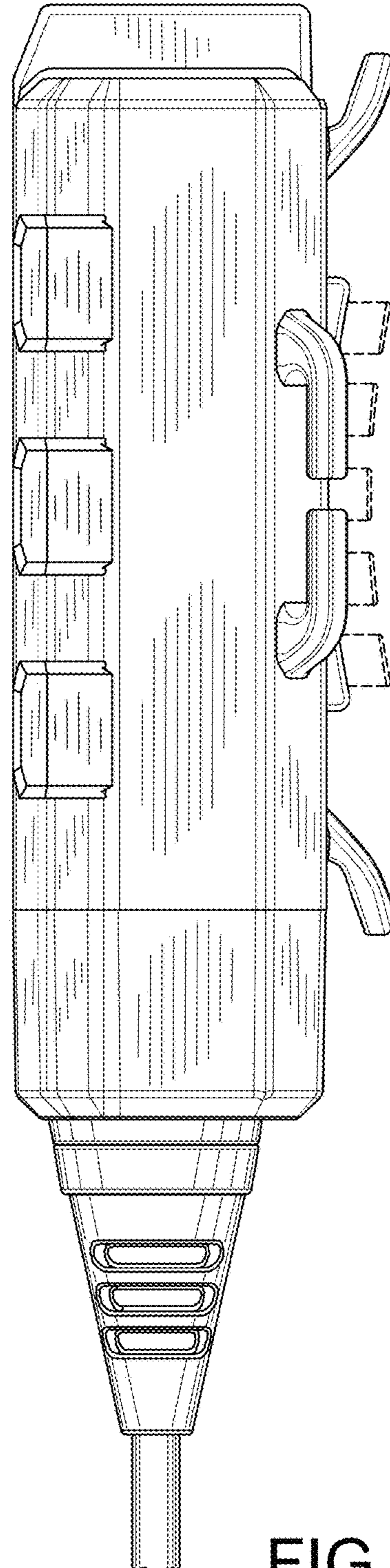


FIG. 12



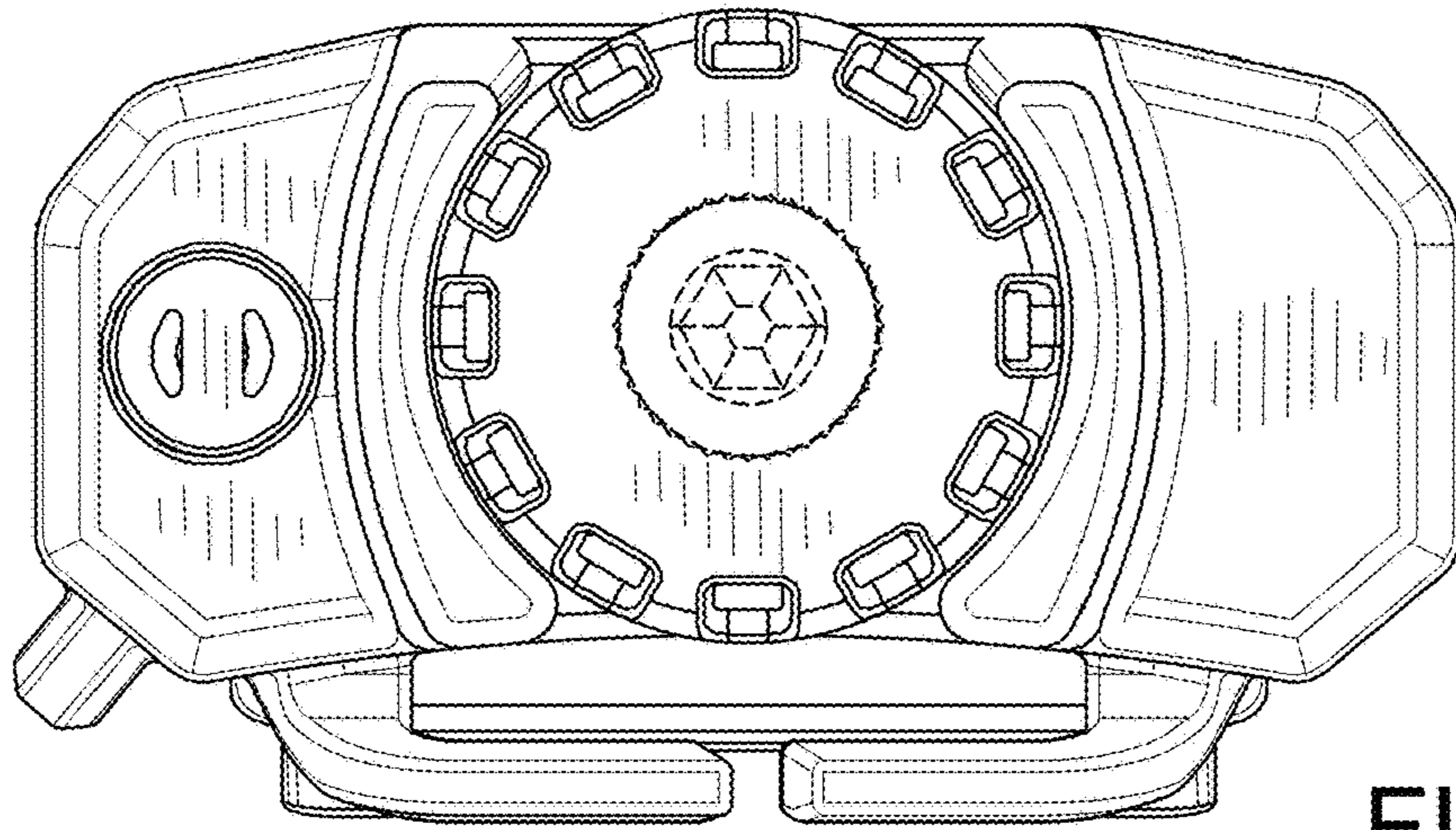


FIG. 13

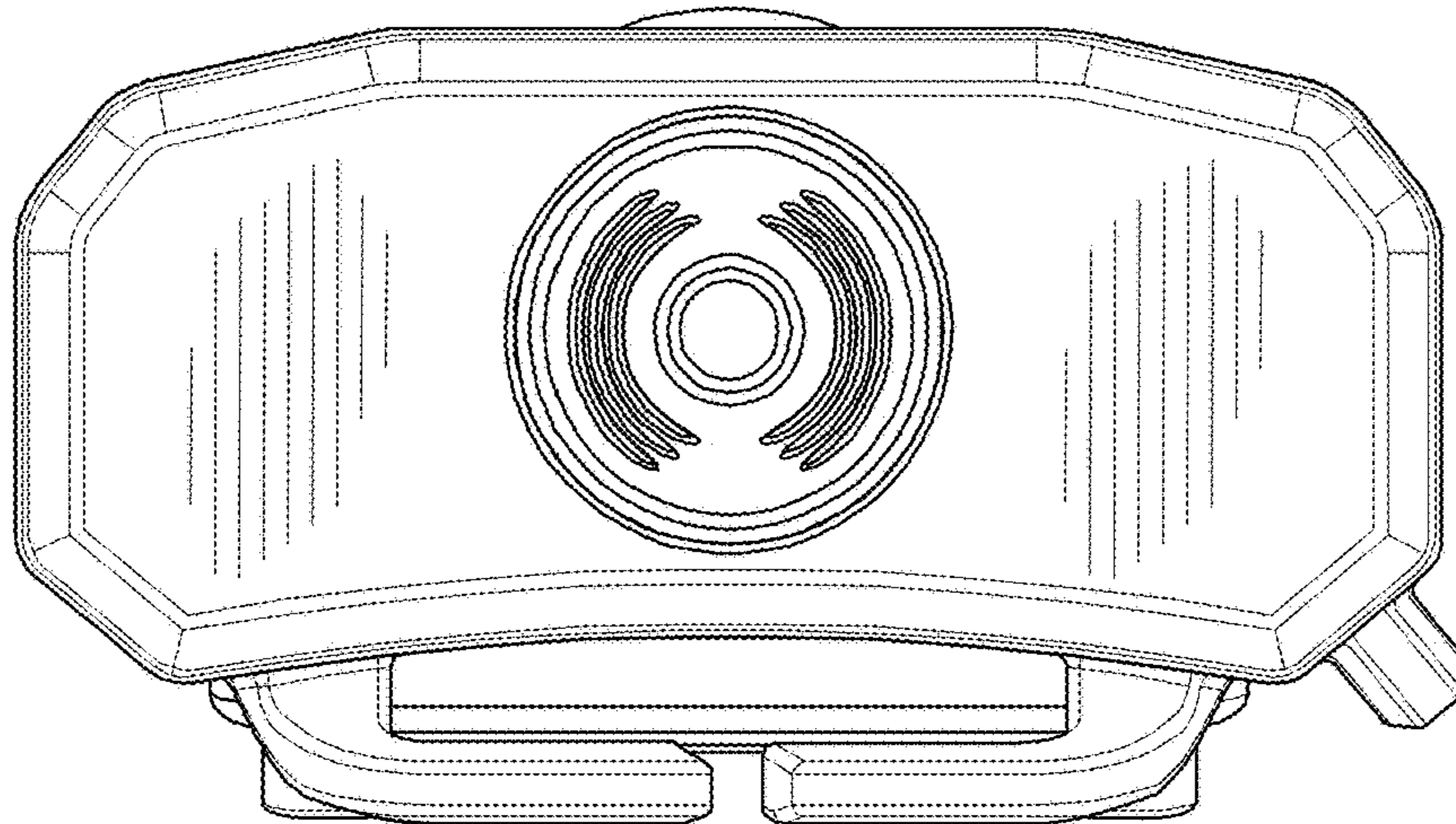


FIG. 14