



US00D867640S

(12) **United States Design Patent**  
**Windom et al.**

(10) **Patent No.:** **US D867,640 S**  
(45) **Date of Patent:** **\*\* Nov. 19, 2019**

- (54) **HEADLIGHT**
- (71) Applicant: **COAST CUTLERY CO.**, Portland, OR (US)
- (72) Inventors: **Gregory David Windom**, Portland, OR (US); **Hai Rong Shi**, Yangjiang (CN); **Chao Jun Ding**, Yangjiang (CN)
- (73) Assignee: **Coast Cutlery Co.**, Portland, OR (US)
- (\*\*) Term: **15 Years**
- (21) Appl. No.: **29/634,179**

- (22) Filed: **Jan. 18, 2018**
- (51) **LOC (12) Cl.** ..... **26-02**
- (52) **U.S. Cl.**  
USPC ..... **D26/39**
- (58) **Field of Classification Search**  
USPC ..... D26/37-51  
CPC ..... F21L 2003/00; F21L 4/00; F21L 4/005;  
F21L 4/02; F21L 4/025; F21L 4/027;  
F21L 4/04; F21L 4/08; F21L 2005/00;  
F21L 7/00; F21L 11/00; F21L 13/00;  
F21L 13/04; F21L 13/08; F21L 14/02;  
F21L 17/00; F21L 19/00; F21L 25/00  
See application file for complete search history.

- (56) **References Cited**  
U.S. PATENT DOCUMENTS  
D560,008 S \* 1/2008 Poon ..... D26/39  
D577,842 S \* 9/2008 Kumthampinij ..... D26/39  
D658,323 S \* 4/2012 Freschl ..... D26/39  
D707,867 S \* 6/2014 Kotsis ..... D26/39  
D726,943 S \* 4/2015 Petzl ..... D26/39  
D736,977 S \* 8/2015 Petzl ..... D26/39  
D736,978 S \* 8/2015 Petzl ..... D26/39

- D736,979 S \* 8/2015 Petzl ..... D26/39
- D736,980 S \* 8/2015 Petzl ..... D26/39
- D742,050 S \* 10/2015 Inskeep ..... D26/39
- D743,596 S \* 11/2015 Ormsbee ..... D26/39
- D747,021 S \* 1/2016 Hunnewell ..... D26/39
- D762,317 S \* 7/2016 Ormsbee ..... D26/39
- D788,337 S \* 5/2017 Koshiba ..... D26/39
- D799,085 S \* 10/2017 Huang ..... D26/39
- D802,189 S \* 11/2017 Windom ..... D26/39
- D804,695 S \* 12/2017 Windom ..... D26/39
- D812,793 S \* 3/2018 Huang ..... D26/39
- D814,676 S \* 4/2018 Windom ..... D26/39
- D821,007 S \* 6/2018 Chen ..... D26/39
- D830,602 S \* 10/2018 Melchior ..... D26/39

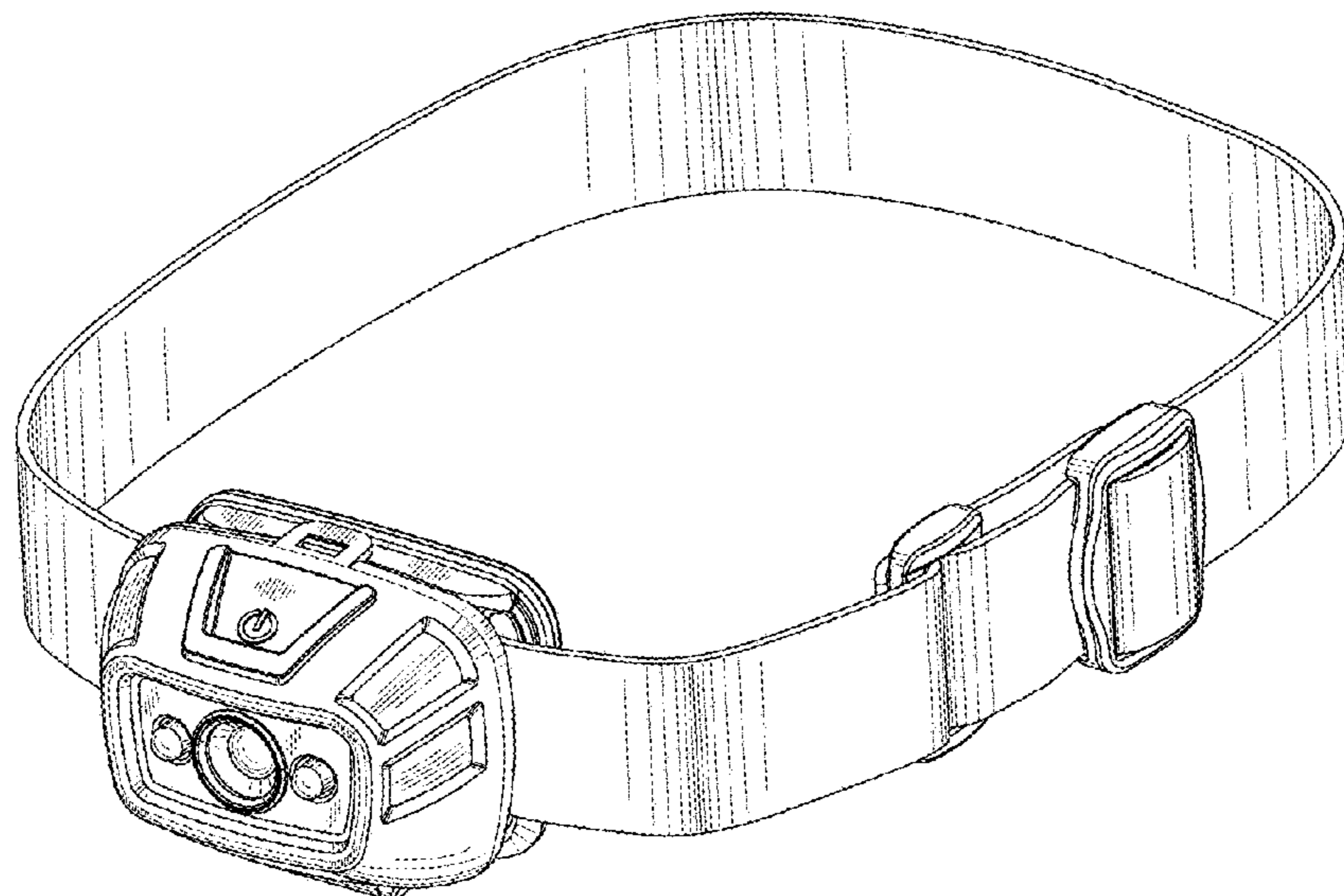
\* cited by examiner

*Primary Examiner* — Lakiya G Rogers  
*Assistant Examiner* — Carissa C Fitts  
(74) *Attorney, Agent, or Firm* — Schwabe Williamson & Wyatt, P.C.

(57) **CLAIM**  
We claim the ornamental design for a headlight, as shown and described.

**DESCRIPTION**  
FIG. 1 is a perspective view of the present invention;  
FIG. 2 is a front elevation view of FIG. 1;  
FIG. 3 is a rear elevation view of FIGS. 1 and 2;  
FIG. 4 is a top plan view of FIGS. 1-3;  
FIG. 5 is a bottom view of FIGS. 1-4;  
FIG. 6 is a side elevation view from the right side of FIGS. 1-5; and,  
FIG. 7 is a side elevation view from the left side of FIGS. 1-6.  
The broken line showing represents portions of the article not claimed and forms no part of the claimed design.

**1 Claim, 4 Drawing Sheets**



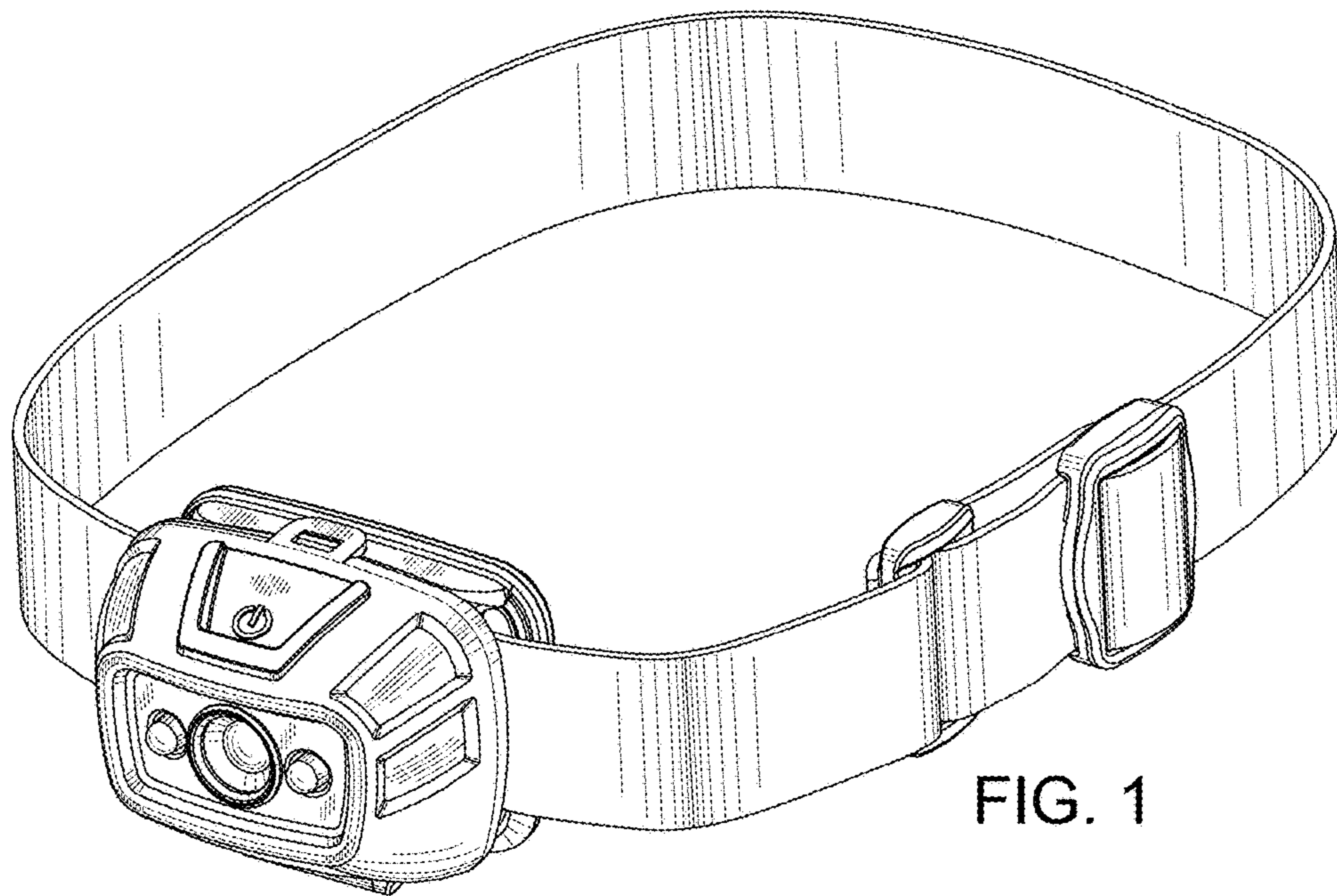


FIG. 1

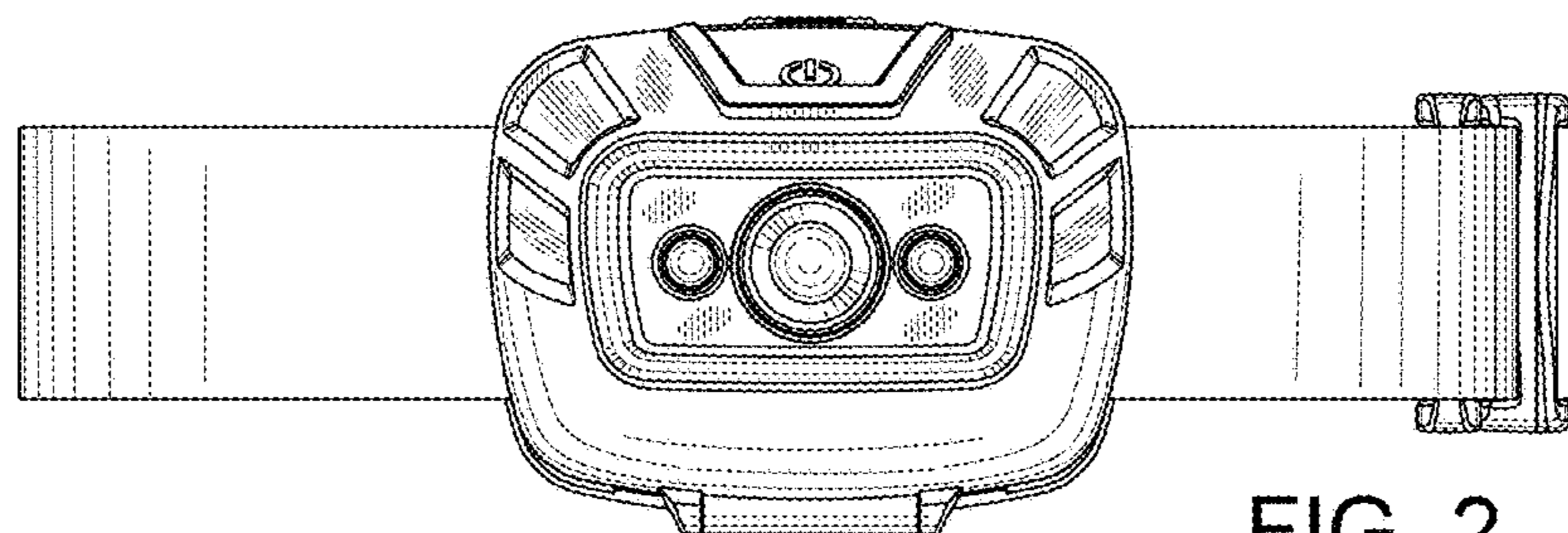


FIG. 2

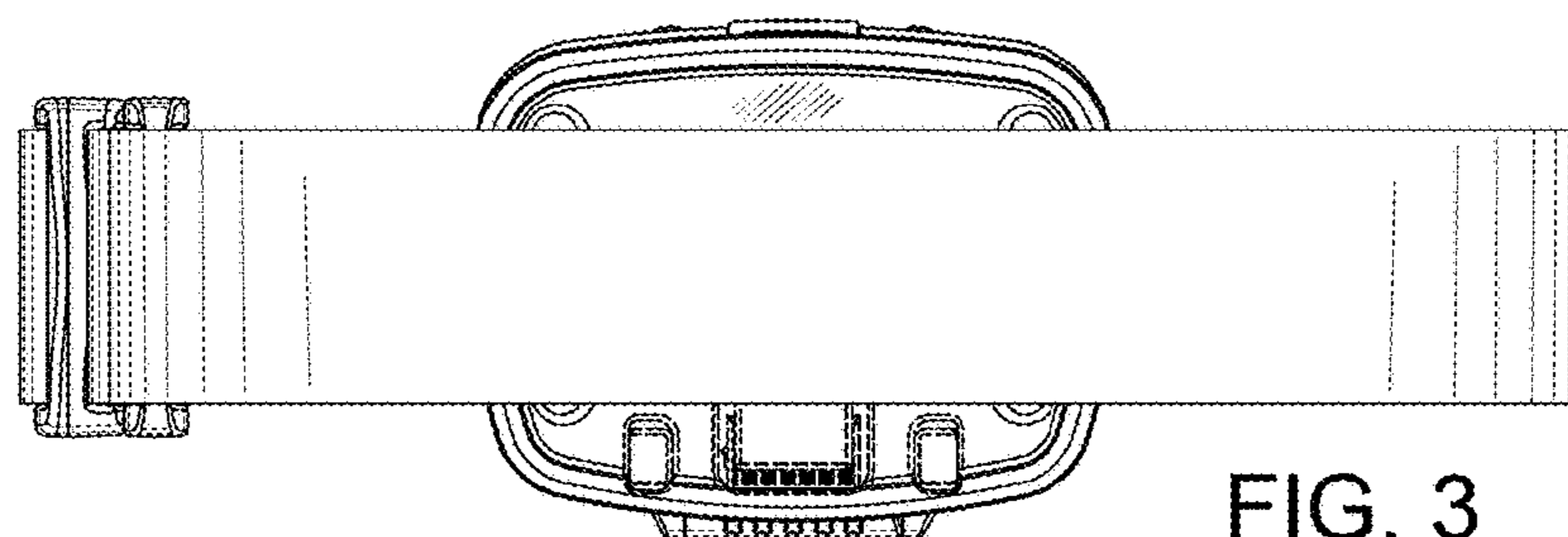


FIG. 3

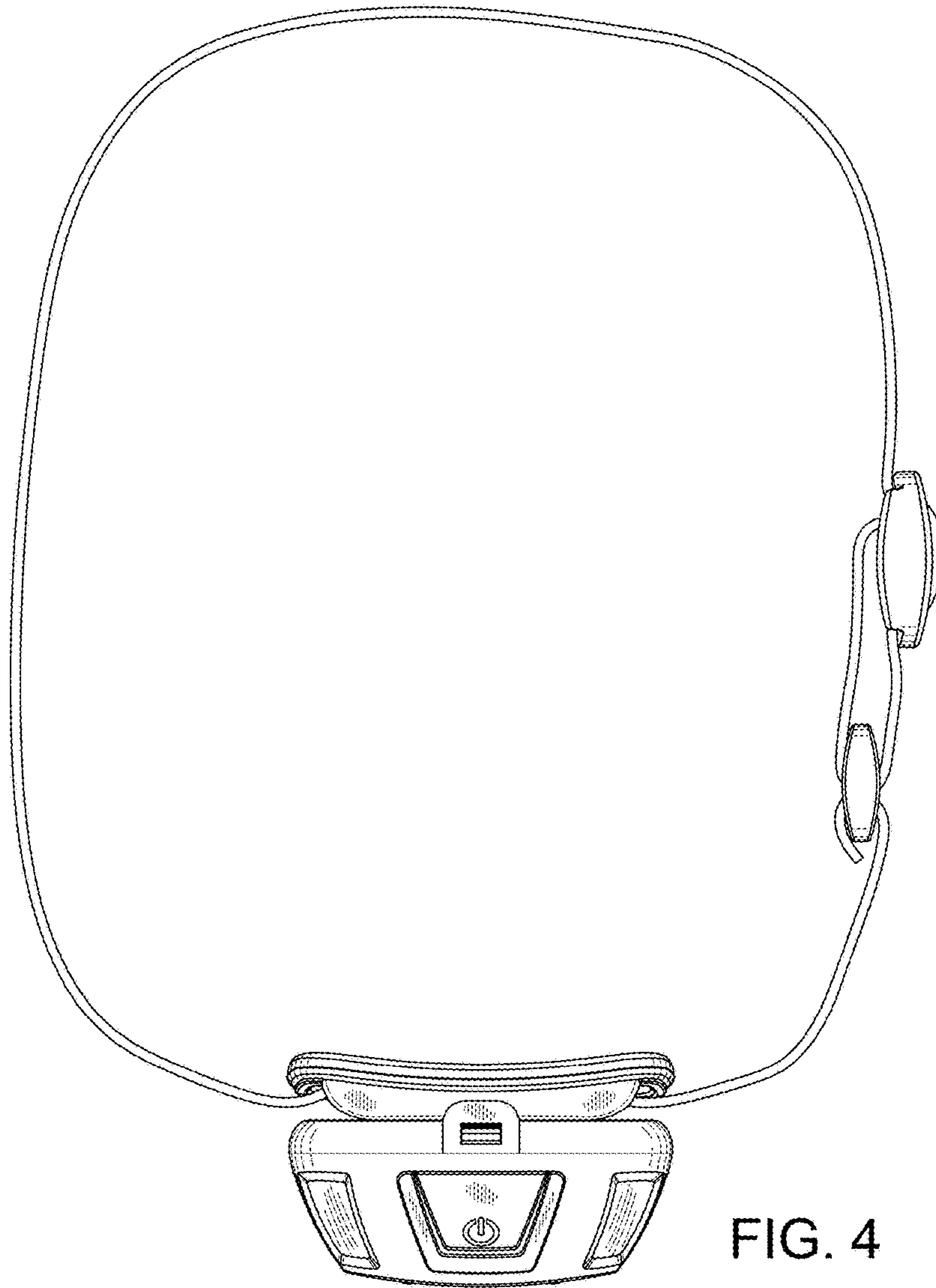


FIG. 4

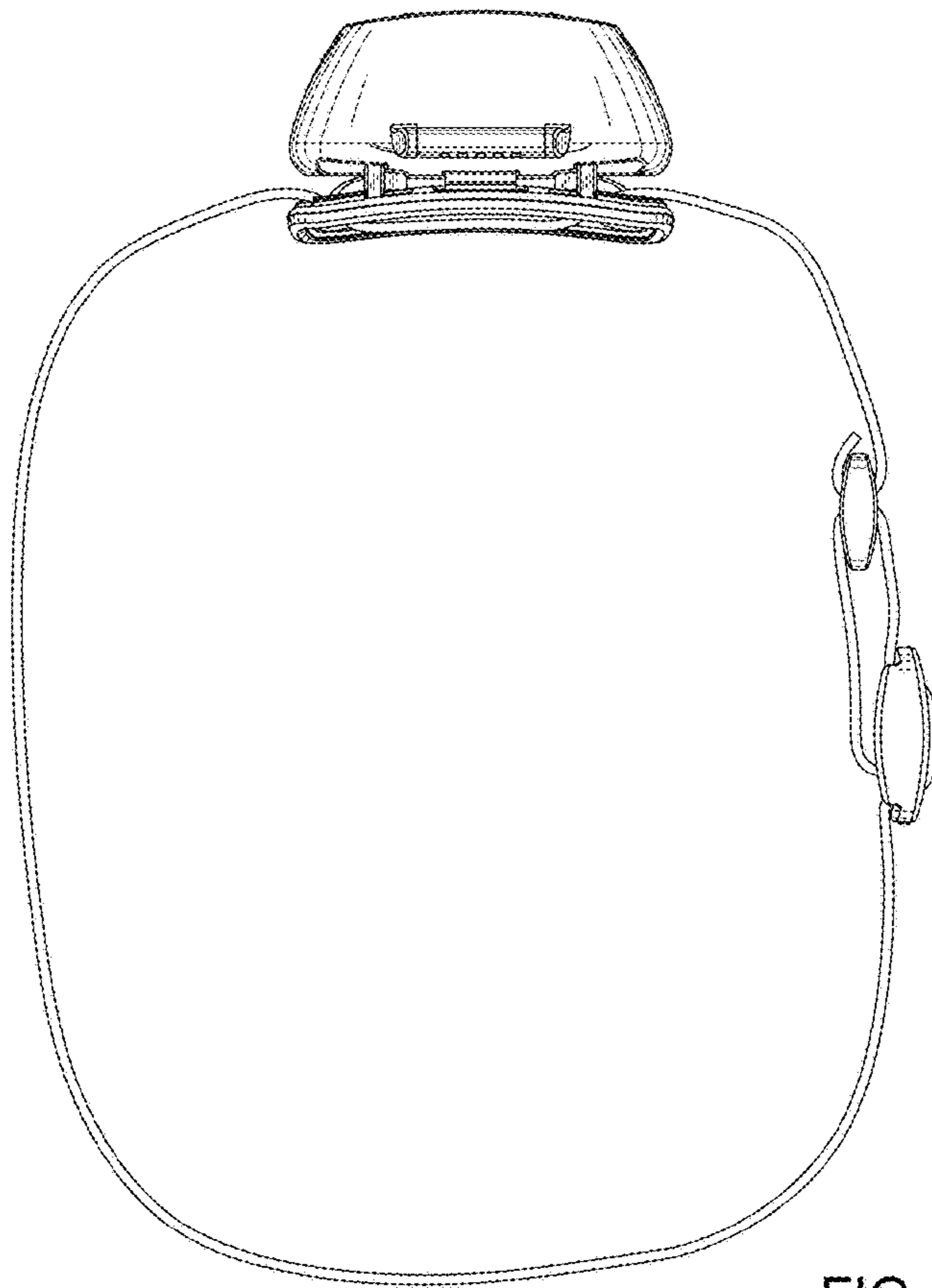


FIG. 5

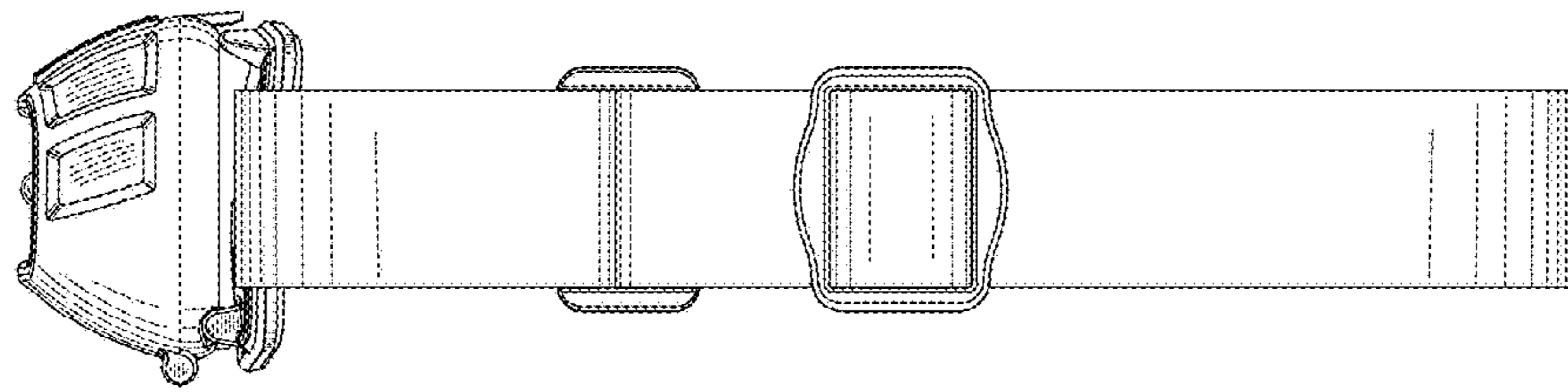


FIG. 6

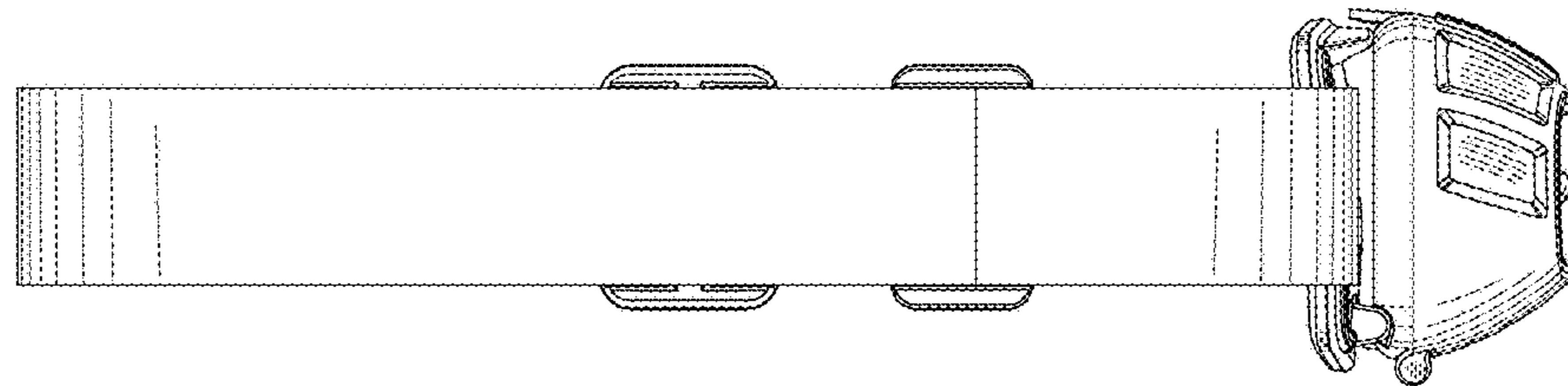


FIG. 7