



US00D867638S

(12) **United States Design Patent** (10) **Patent No.:** **US D867,638 S**
Kong et al. (45) **Date of Patent:** **** Nov. 19, 2019**

(54) **HEADLAMP FOR AN AUTOMOBILE**

CPC .. F21S 41/00; F21S 41/20; F21S 41/30; F21S 43/14; F21S 43/15; F21S 43/20

(71) Applicants: **HYUNDAI MOTOR COMPANY**, Seoul (KR); **KIA MOTORS CORPORATION**, Seoul (KR)

See application file for complete search history.

(72) Inventors: **Byung Ho Kong**, Seoul (KR); **Je Won Seo**, Seoul (KR)

(56) **References Cited**

U.S. PATENT DOCUMENTS

(73) Assignees: **Hyundai Motor Company**, Seoul (KR); **Kia Motors Corporation**, Seoul (KR)

D827,885 S *	9/2018	Hannemann	D26/28
D828,590 S *	9/2018	Hannemann	D26/28
D843,615 S *	3/2019	Nordmann	D26/28
D844,188 S *	3/2019	Nordmann	D26/28
D844,862 S *	4/2019	Nordmann	D26/28
D851,302 S *	6/2019	Lin	D26/28
D853,607 S *	7/2019	Allmendinger	D26/28

(**) Term: **15 Years**

* cited by examiner

(21) Appl. No.: **35/506,158**

Primary Examiner — Robert M. Spear

(22) Filed: **May 24, 2018**

(74) *Attorney, Agent, or Firm* — Mintz Levin Cohn Ferris Glovsky and Popeo, P.C.; Kongsik Kim

(80) **Hague Agreement Data**

Int. Filing Date: **May 24, 2018**
Int. Reg. No.: **DM/101472**
Int. Reg. Date: **May 24, 2018**
Int. Reg. Pub. Date: **Nov. 30, 2018**

(57) **CLAIM**

The ornamental design for headlamp for an automobile, as shown and described.

(30) **Foreign Application Priority Data**

Dec. 15, 2017 (KR) 30-2017-0059456

DESCRIPTION

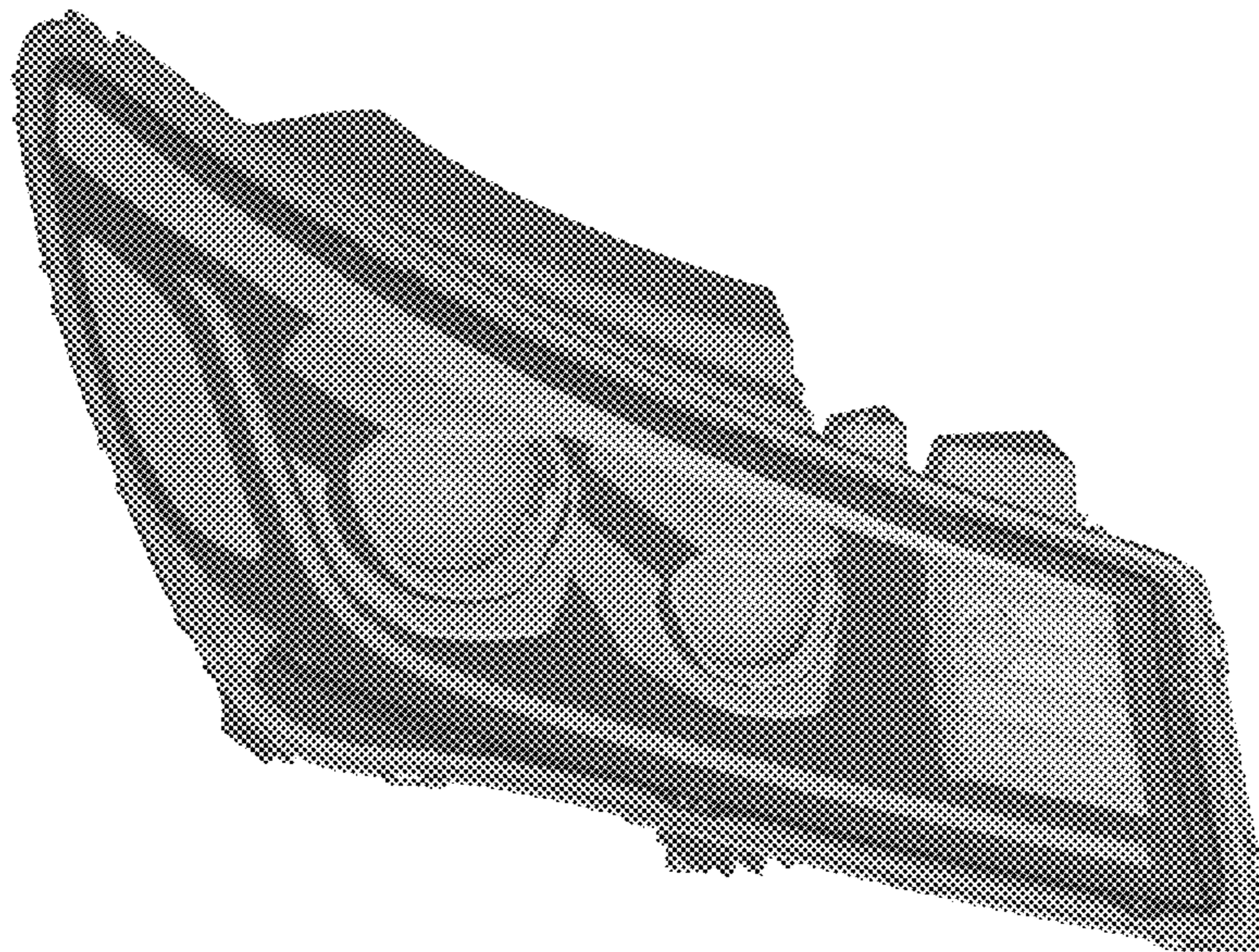
(51) **LOC (12) Cl.** **26-06**

(52) **U.S. Cl.**
USPC **D26/28**

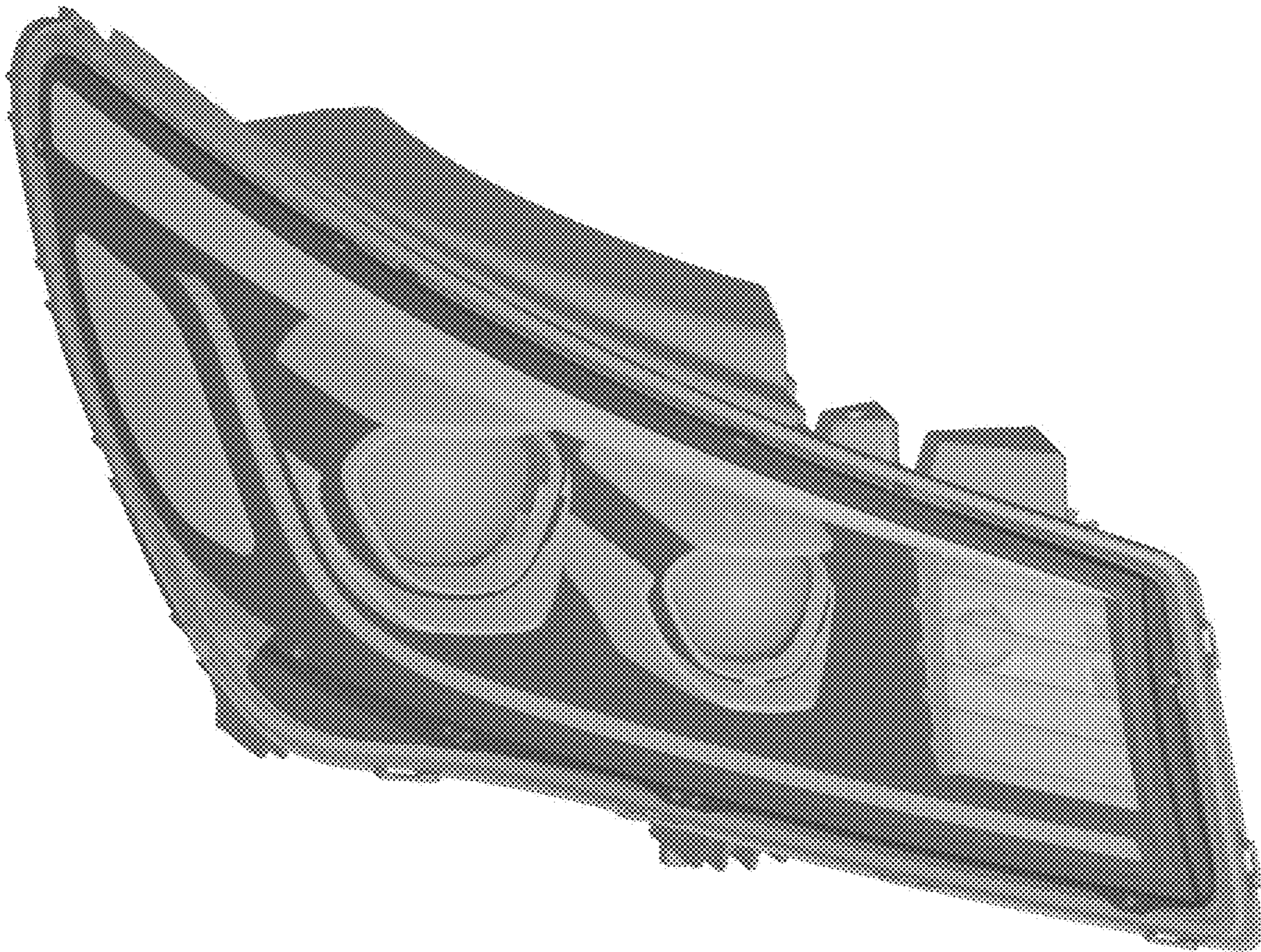
(58) **Field of Classification Search**
USPC D12/196; D26/28, 35, 36; D21/433

- 1. Headlamp for an automobile
- 1.1 : Perspective
- 1.2 : Front
- 1.3 : Back
- 1.4 : Left
- 1.5 : Right
- 1.6 : Top
- 1.7 : Bottom

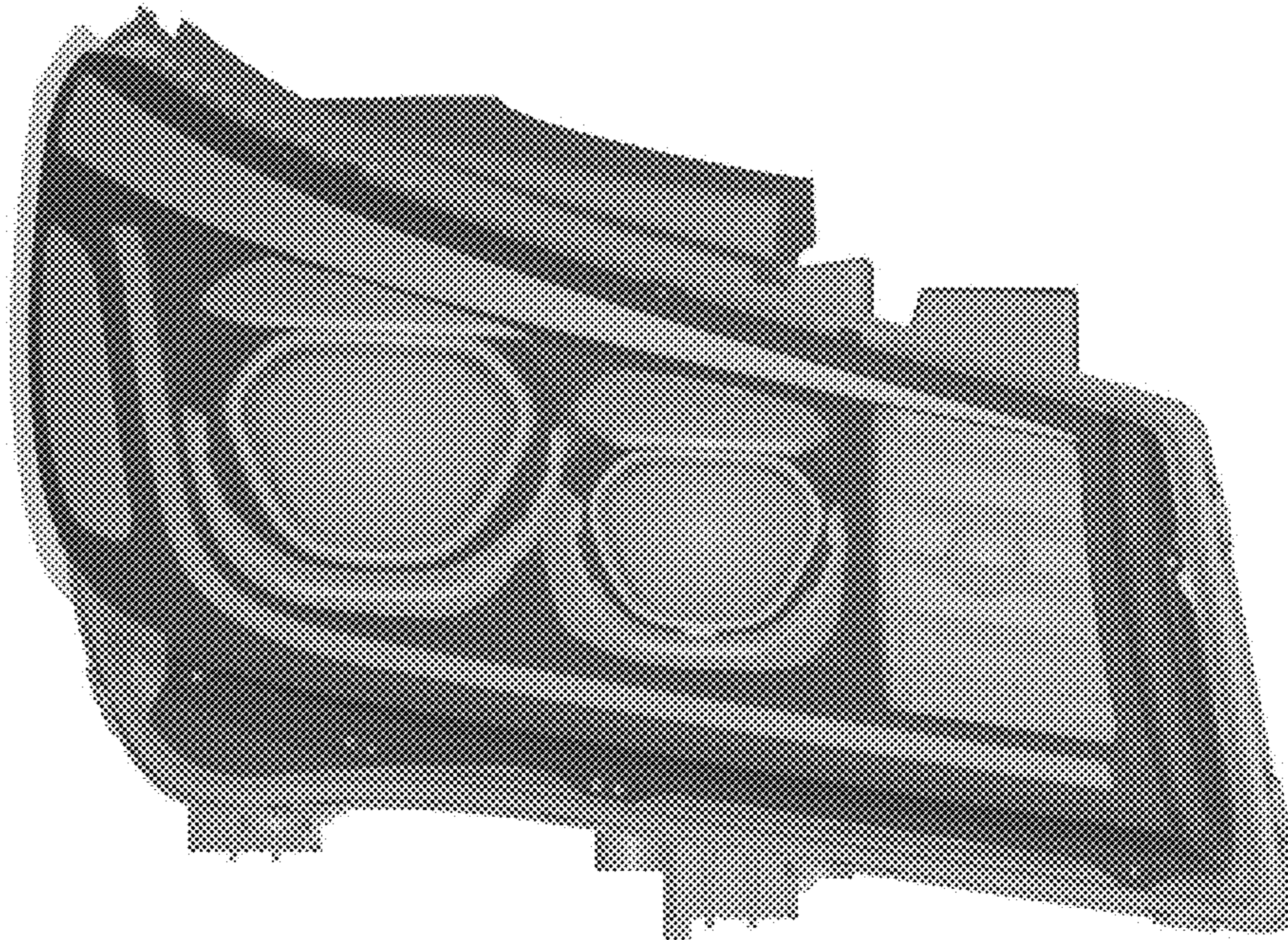
1 Claim, 7 Drawing Sheets



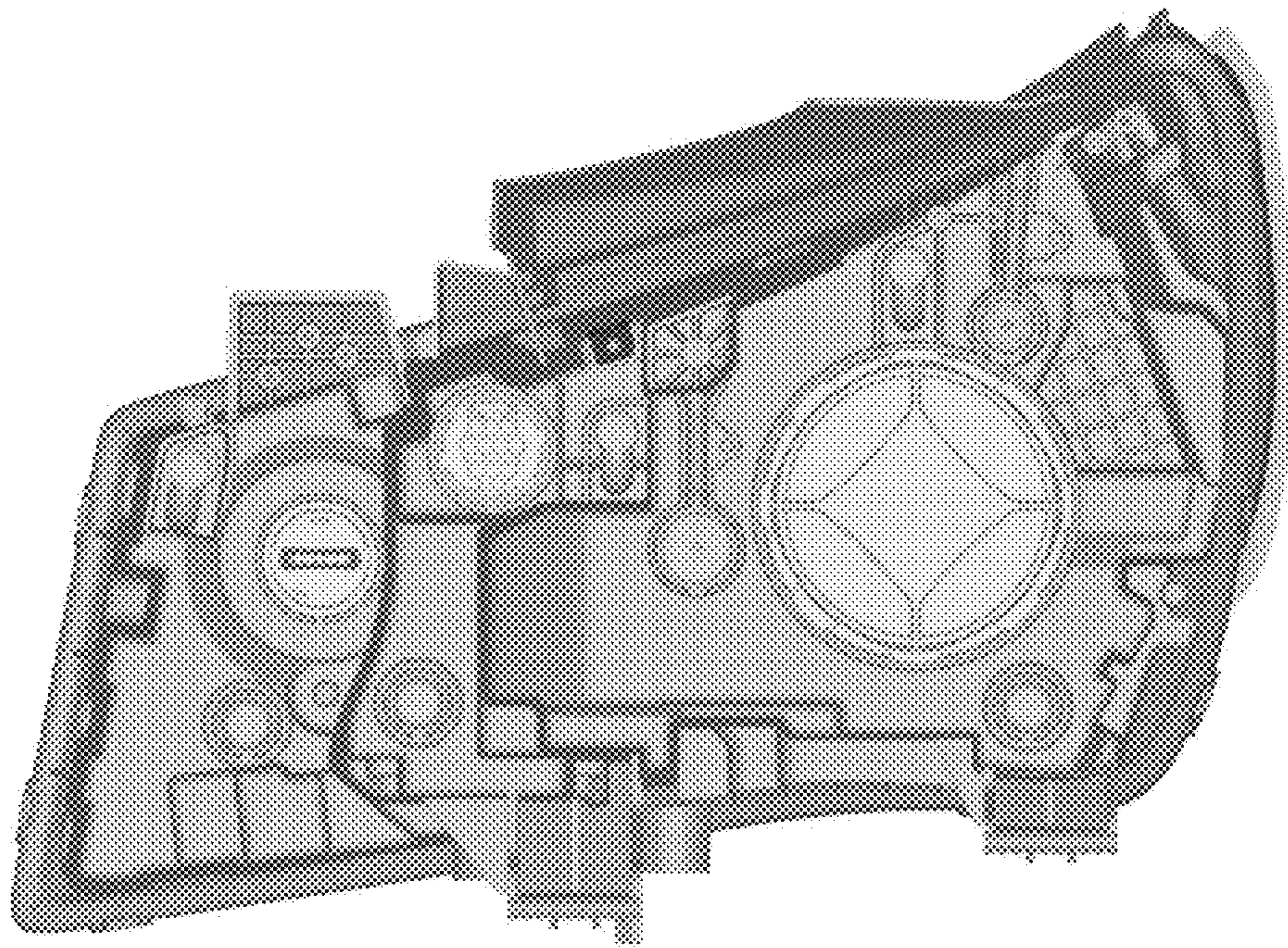
1.1



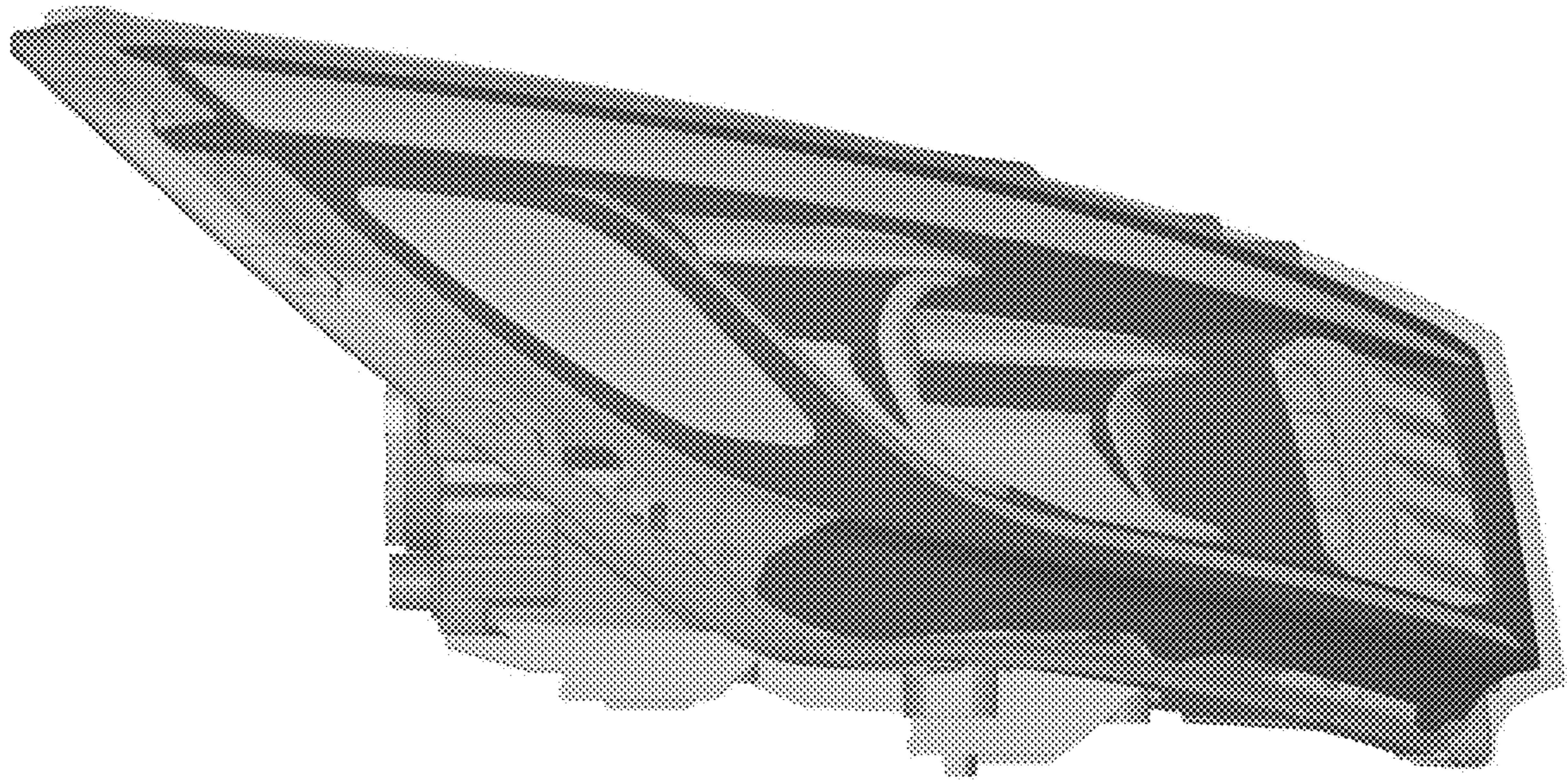
1.2



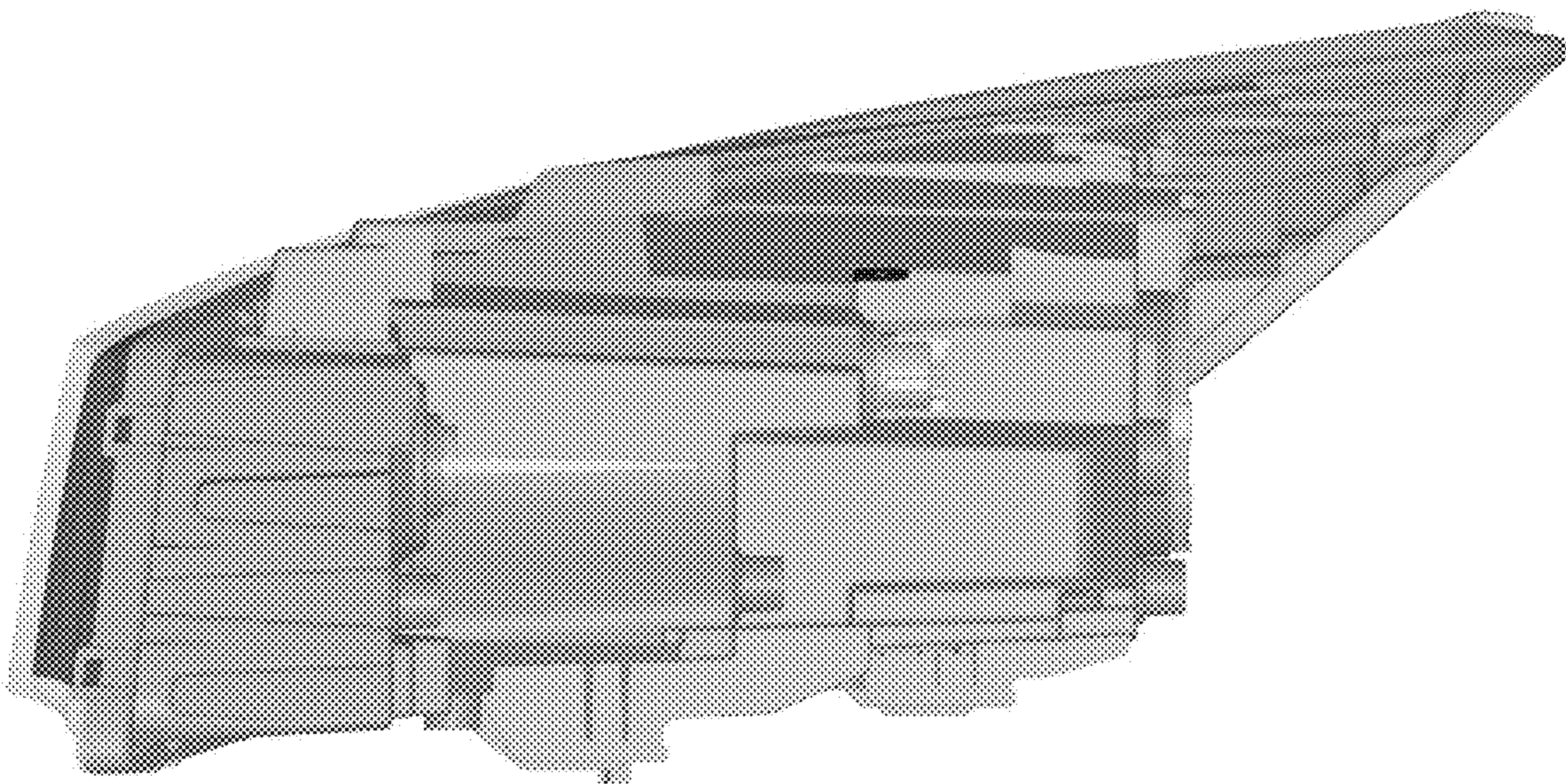
1.3



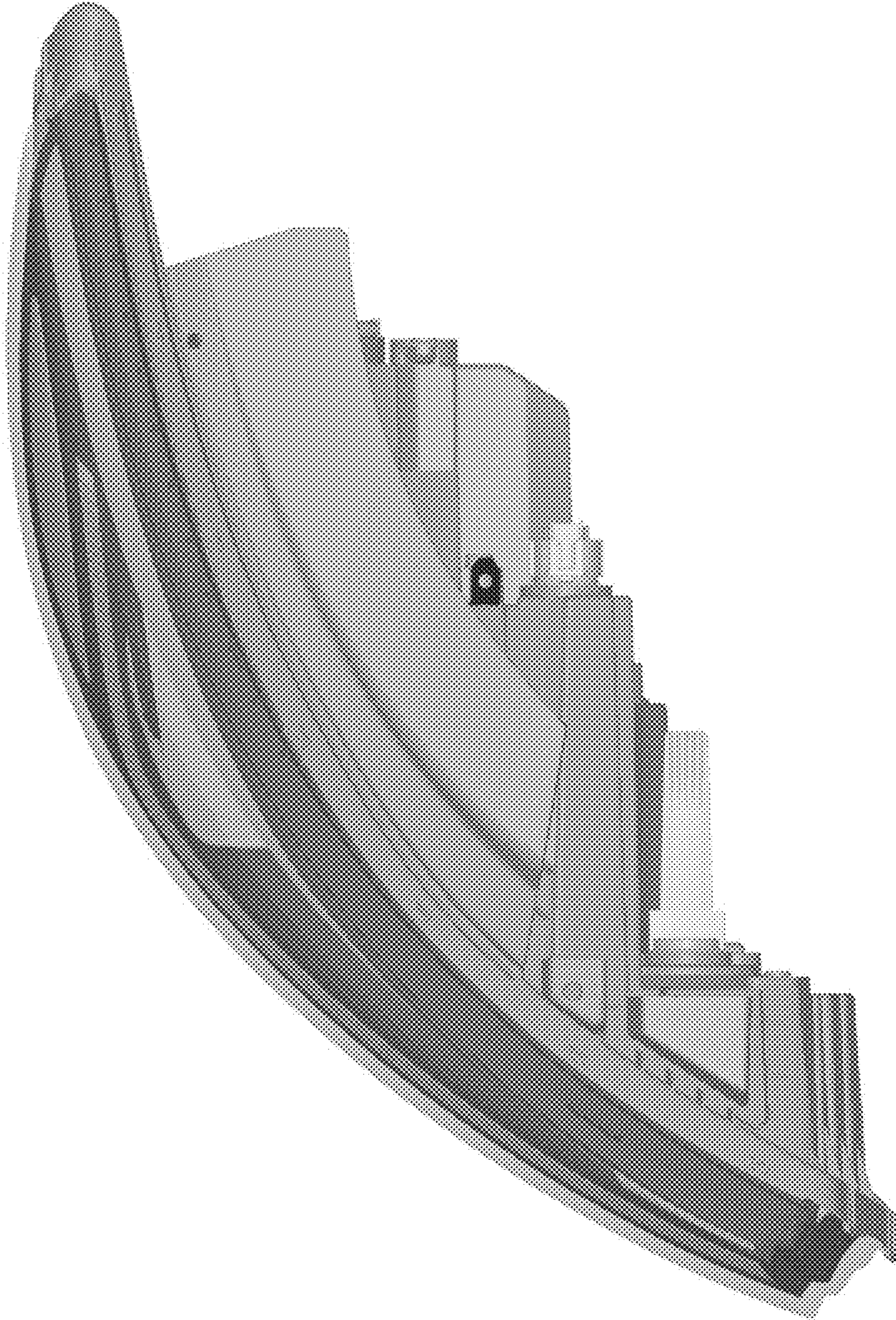
1.4



1.5



1.6



1.7

