



US00D867637S

(12) **United States Design Patent** (10) **Patent No.:** **US D867,637 S**
Kong et al. (45) **Date of Patent:** **** Nov. 19, 2019**

(54) **HEADLAMP FOR AN AUTOMOBILE**
(71) Applicants: **HYUNDAI MOTOR COMPANY**,
Seoul (KR); **KIA MOTORS**
CORPORATION, Seoul (KR)
(72) Inventors: **Byung Ho Kong**, Seoul (KR); **Je Won**
Seo, Seoul (KR)
(73) Assignees: **Hyundai Motor Company**, Seoul
(KR); **Kia Motors Corporation**, Seoul
(KR)

(**) Term: **15 Years**

(21) Appl. No.: **35/506,157**

(22) Filed: **May 24, 2018**

(80) **Hague Agreement Data**

Int. Filing Date: **May 24, 2018**
Int. Reg. No.: **DM/101469**
Int. Reg. Date: **May 24, 2018**
Int. Reg. Pub. Date: **Nov. 30, 2018**

(30) **Foreign Application Priority Data**

Dec. 15, 2017 (KR) 30-2017-0059452

(51) **LOC (12) Cl.** **26-06**

(52) **U.S. Cl.**
USPC **D26/28**

(58) **Field of Classification Search**
USPC D12/196; D26/28, 35, 36; D21/433
CPC .. F21S 41/00; F21S 41/20; F21S 41/30; F21S
43/14; F21S 43/15; F21S 43/20
See application file for complete search history.

(56) **References Cited**

U.S. PATENT DOCUMENTS

| | | | |
|--------------|---------|------------|--------|
| D755,424 S * | 5/2016 | Kong | D26/28 |
| D763,486 S * | 8/2016 | Kwon | D26/28 |
| D816,875 S * | 5/2018 | Kong | D26/28 |
| D818,164 S * | 5/2018 | Ha | D26/28 |
| D833,044 S * | 11/2018 | Aiba | D26/28 |
| D842,510 S * | 3/2019 | Kang | D26/28 |
| D843,034 S * | 3/2019 | Kim | D26/28 |
| D846,164 S * | 4/2019 | Lin | D26/28 |
| D851,302 S * | 6/2019 | Lin | D26/28 |
| D855,848 S * | 8/2019 | Lai | D26/28 |

* cited by examiner

Primary Examiner — Robert M. Spear
(74) *Attorney, Agent, or Firm* — Mintz Levin Cohn Ferris
Glovsky and Popeo, P.C.; Kongsik Kim

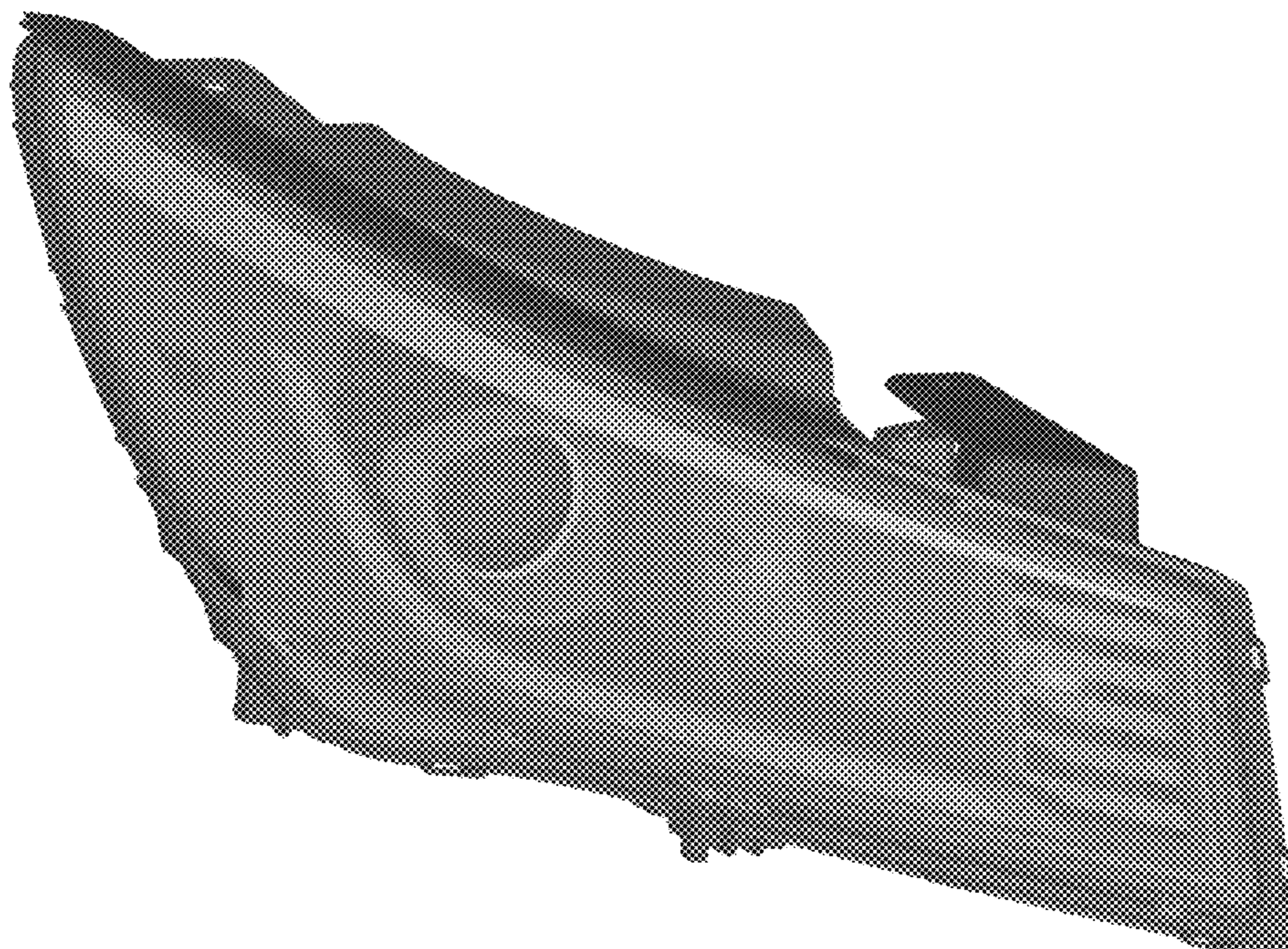
(57) **CLAIM**

The ornamental design for headlamp for an automobile, as shown and described.

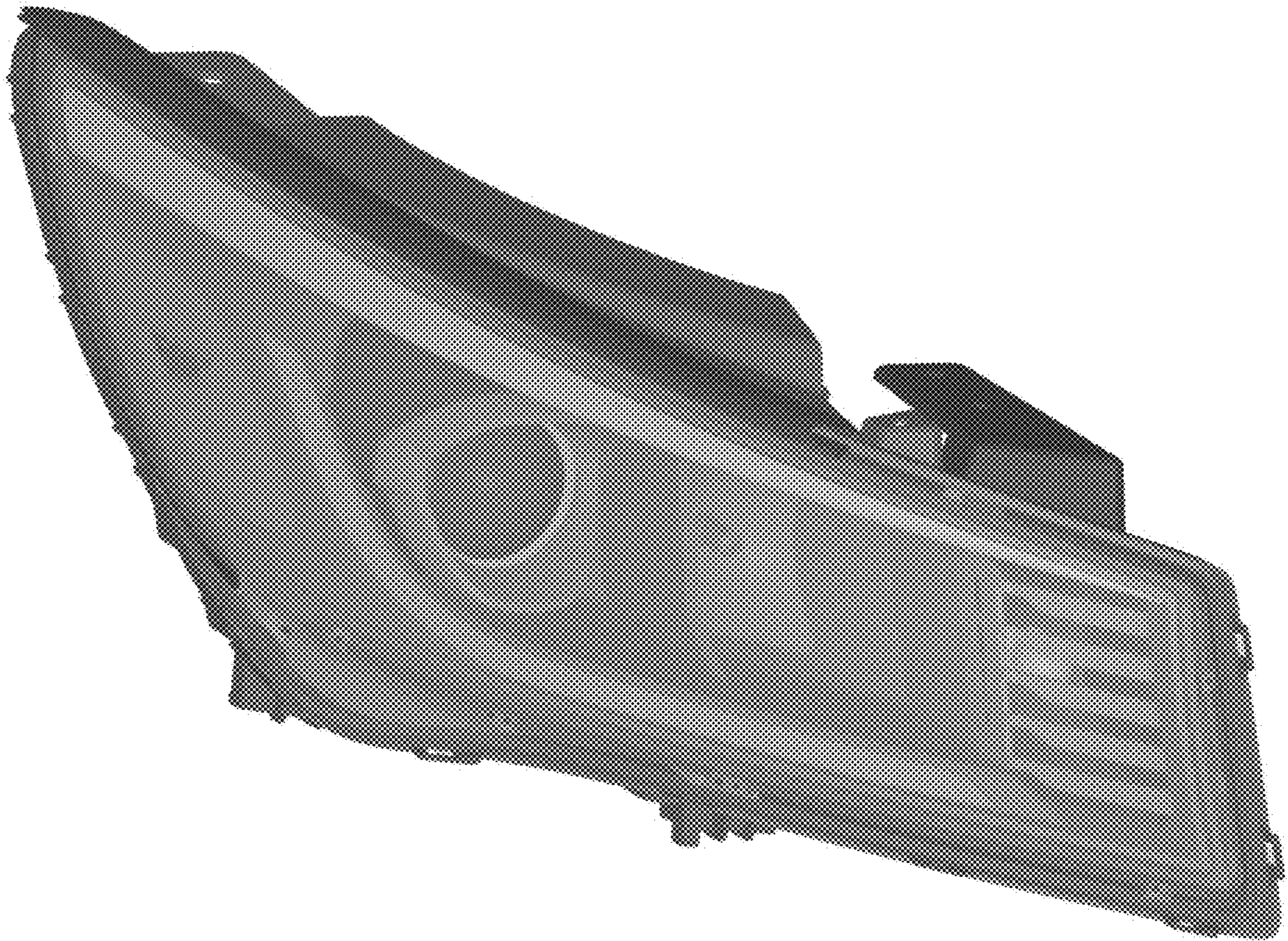
DESCRIPTION

1. Headlamp for an automobile
- 1.1 : Perspective
- 1.2 : Front
- 1.3 : Back
- 1.4 : Left
- 1.5 : Right
- 1.6 : Top
- 1.7 : Bottom

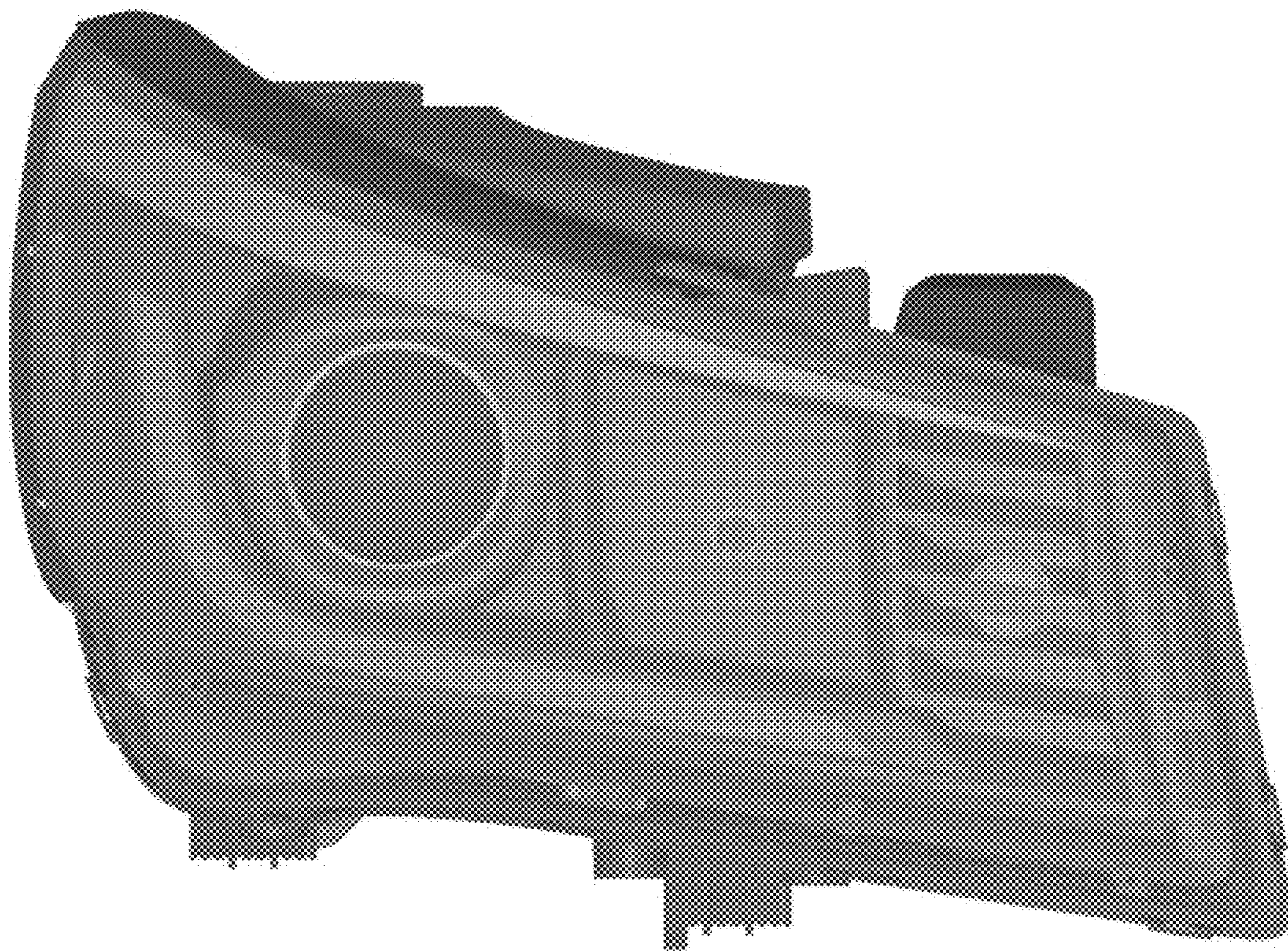
1 Claim, 7 Drawing Sheets



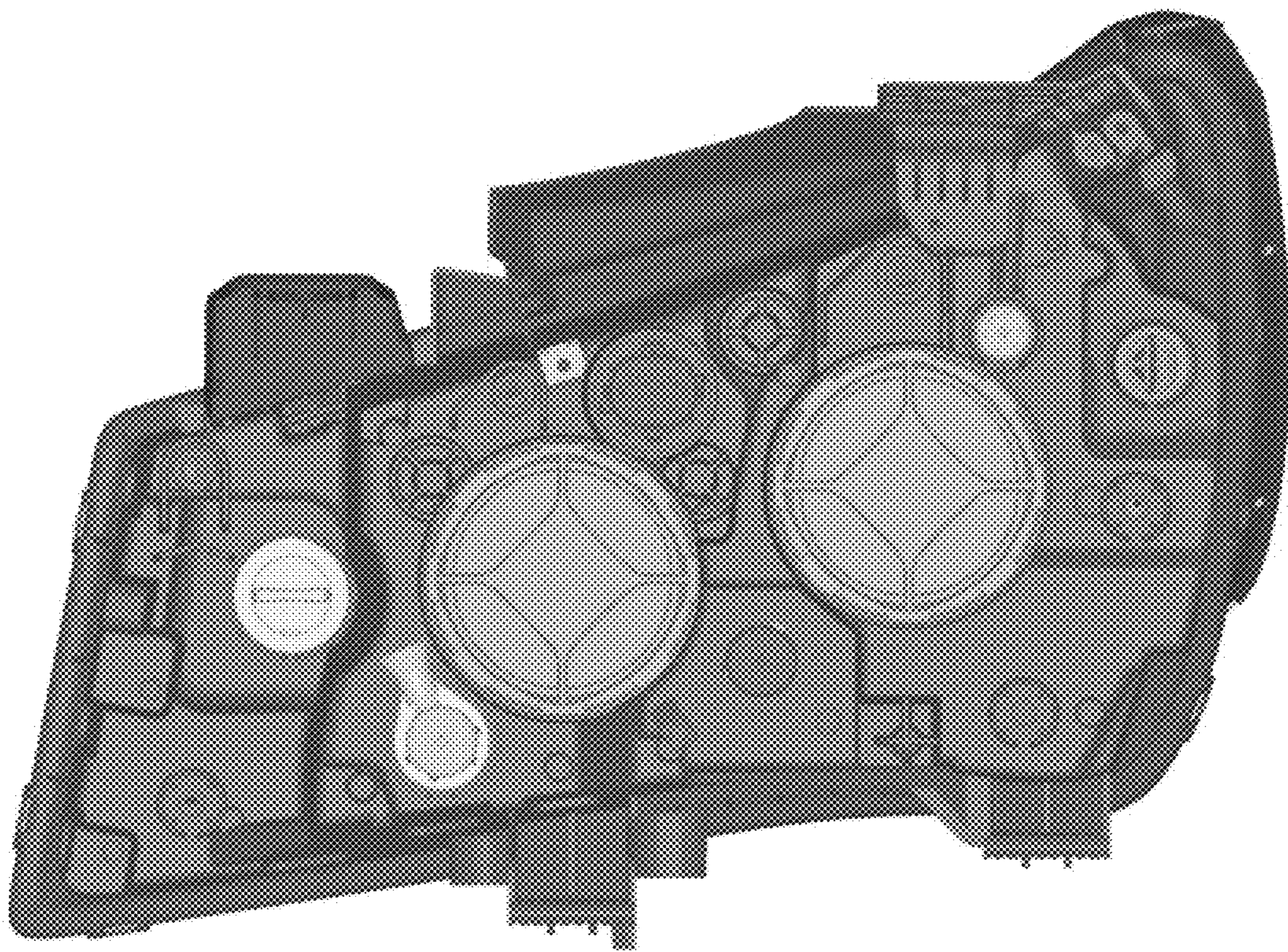
1.1



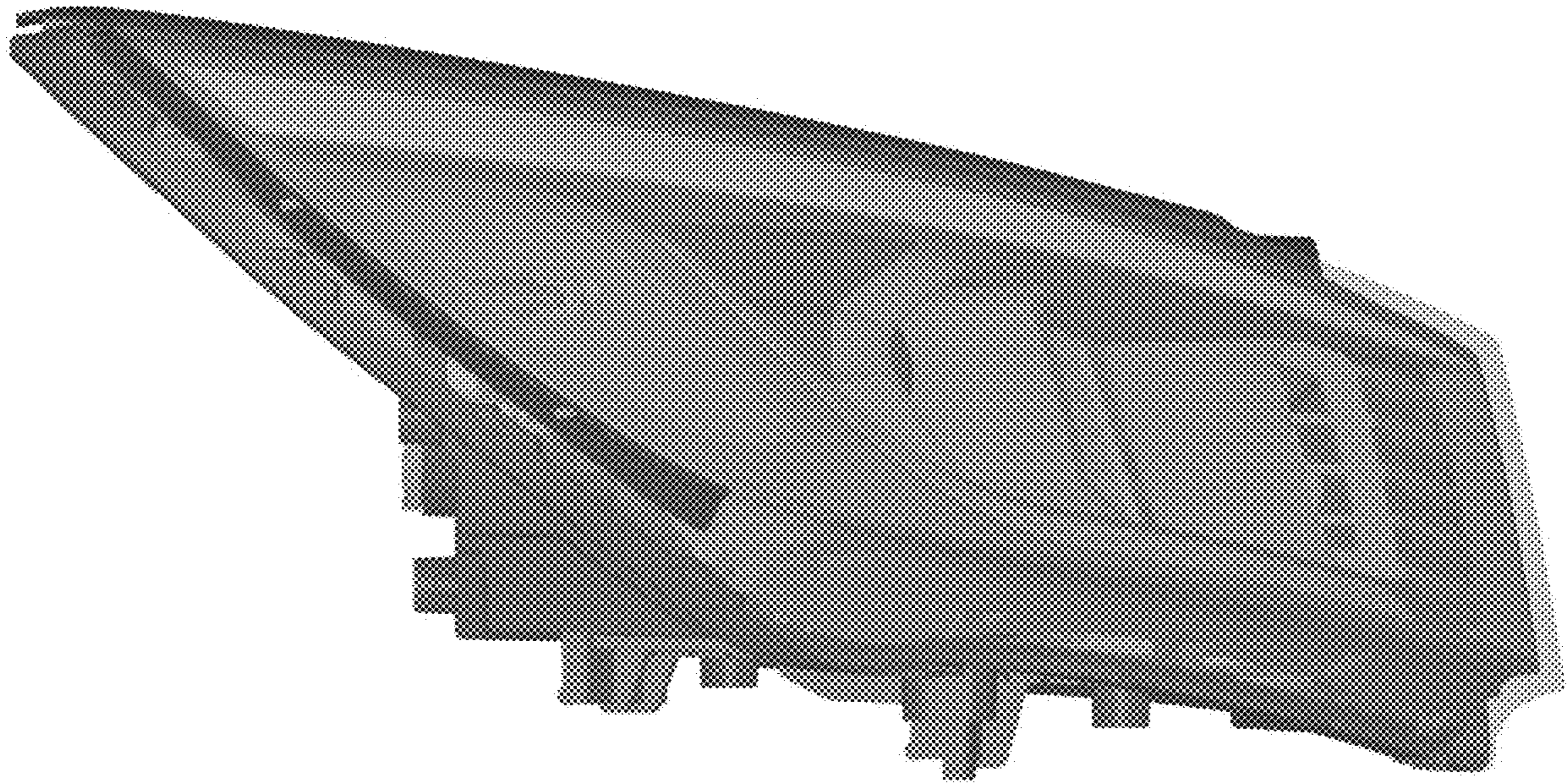
1.2



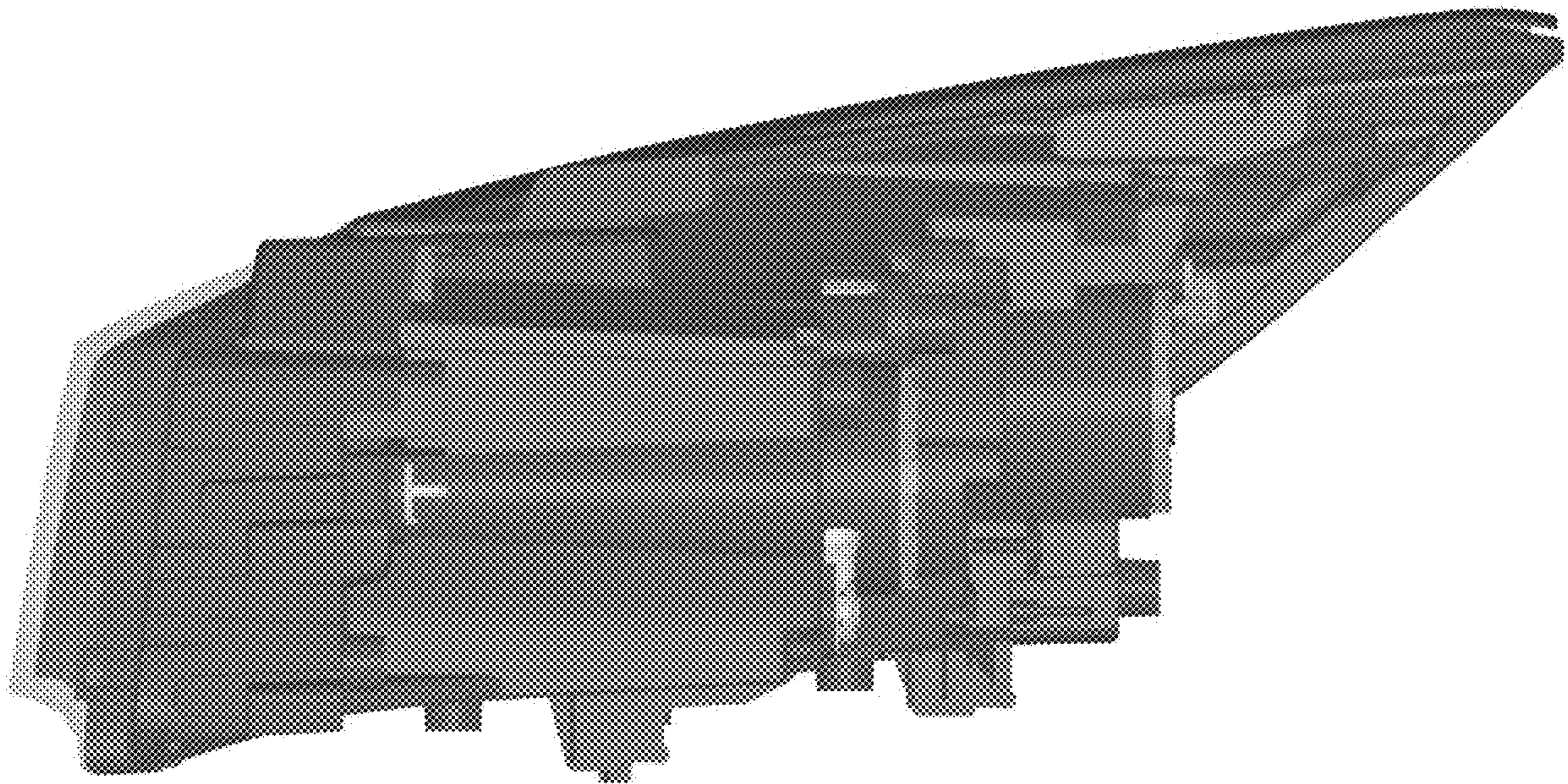
1.3



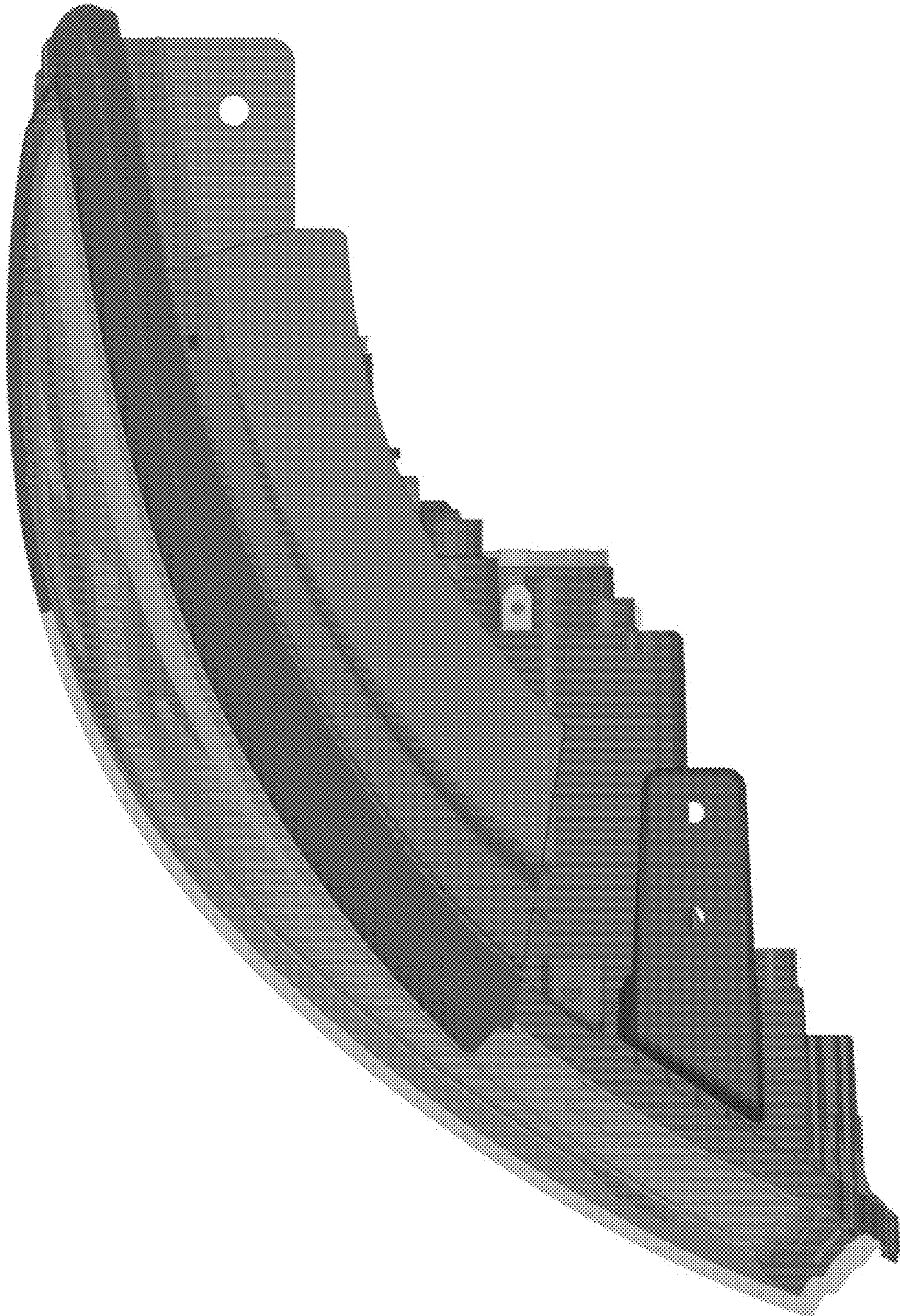
1.4



1.5



1.6



1.7

