



US00D867630S

(12) **United States Design Patent** (10) **Patent No.:** **US D867,630 S**  
**Benoit** (45) **Date of Patent:** **\*\* Nov. 19, 2019**

(54) **BIKE LAMP**

(71) Applicant: **DECATHLON**, Villeneuve d'Ascq (FR)

(72) Inventor: **Brice Benoit**, Lille (FR)

(73) Assignee: **DECATHLON**, Villeneuve d'Ascq (FR)

(\*\*) Term: **15 Years**

(21) Appl. No.: **29/633,172**

(22) Filed: **Jan. 12, 2018**

(30) **Foreign Application Priority Data**

Jul. 19, 2017 (EM) ..... 004111029-0007

(51) **LOC (12) Cl.** ..... **26-06**

(52) **U.S. Cl.**  
USPC ..... **D26/28; D26/60**

(58) **Field of Classification Search**

USPC ..... D26/28-36, 60-63  
CPC .... B62J 6/001; B62J 6/02; B60Q 9/13; B60Q 9/135; B60Q 9/1375; F21S 48/00; F21S 48/10; F21S 48/115; F21S 48/225; F21S 48/1233; F21S 48/1266; F21S 48/1388; F21S 48/2268; F21V 21/04

See application file for complete search history.

(56) **References Cited**

**U.S. PATENT DOCUMENTS**

D390,678 S \* 2/1998 Matthes ..... D26/37  
D535,411 S \* 1/2007 Lee ..... D26/28

D540,966 S \* 4/2007 Ueda ..... D26/28  
D608,485 S \* 1/2010 Liao ..... D26/60  
D609,378 S \* 2/2010 Lee ..... D26/60  
D611,173 S \* 3/2010 McKechnie ..... D26/28  
D611,174 S \* 3/2010 McKechnie ..... D26/28  
D667,581 S \* 9/2012 Lee ..... D26/28  
D678,562 S \* 3/2013 Chan ..... D26/28  
D679,040 S \* 3/2013 Cen ..... D26/28  
D690,854 S \* 10/2013 Janssen ..... D26/29  
D752,252 S \* 3/2016 Ruthling ..... D26/28  
D757,311 S \* 5/2016 Nagano ..... D26/28

\* cited by examiner

*Primary Examiner* — Marcus A Jackson

(74) *Attorney, Agent, or Firm* — Fross Zelnick Lehrman & Zissu, PC; Charles T. J. Weigell, Esq.

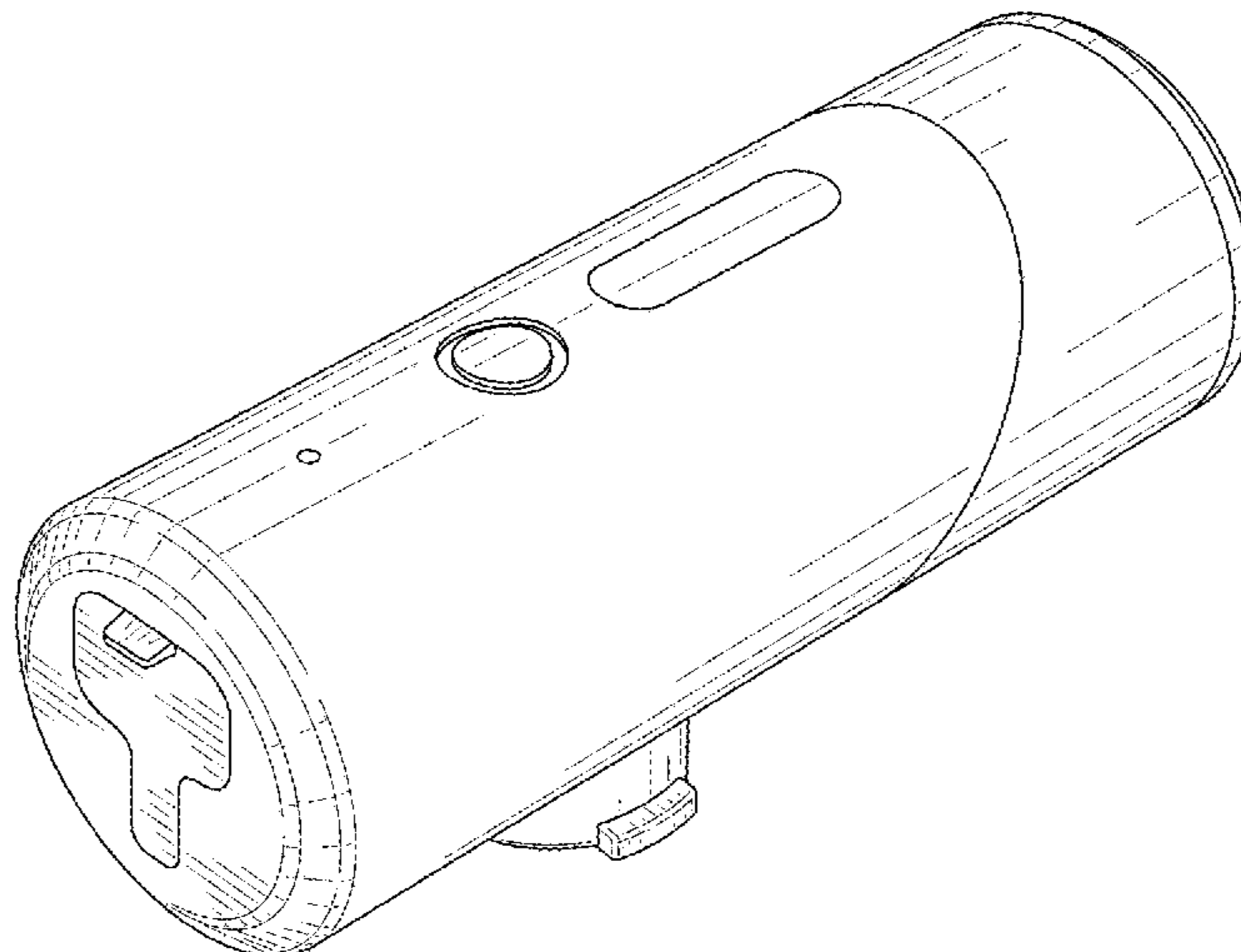
(57) **CLAIM**

The ornamental design for a bike lamp, as shown and described.

**DESCRIPTION**

FIG. 1 is a front perspective view of a bike lamp showing my new design;  
FIG. 2 is a front view thereof;  
FIG. 3 is a back view thereof;  
FIG. 4 is a left side view thereof;  
FIG. 5 is a right side view thereof;  
FIG. 6 is a top view thereof; and,  
FIG. 7 is a bottom view thereof.

**1 Claim, 4 Drawing Sheets**



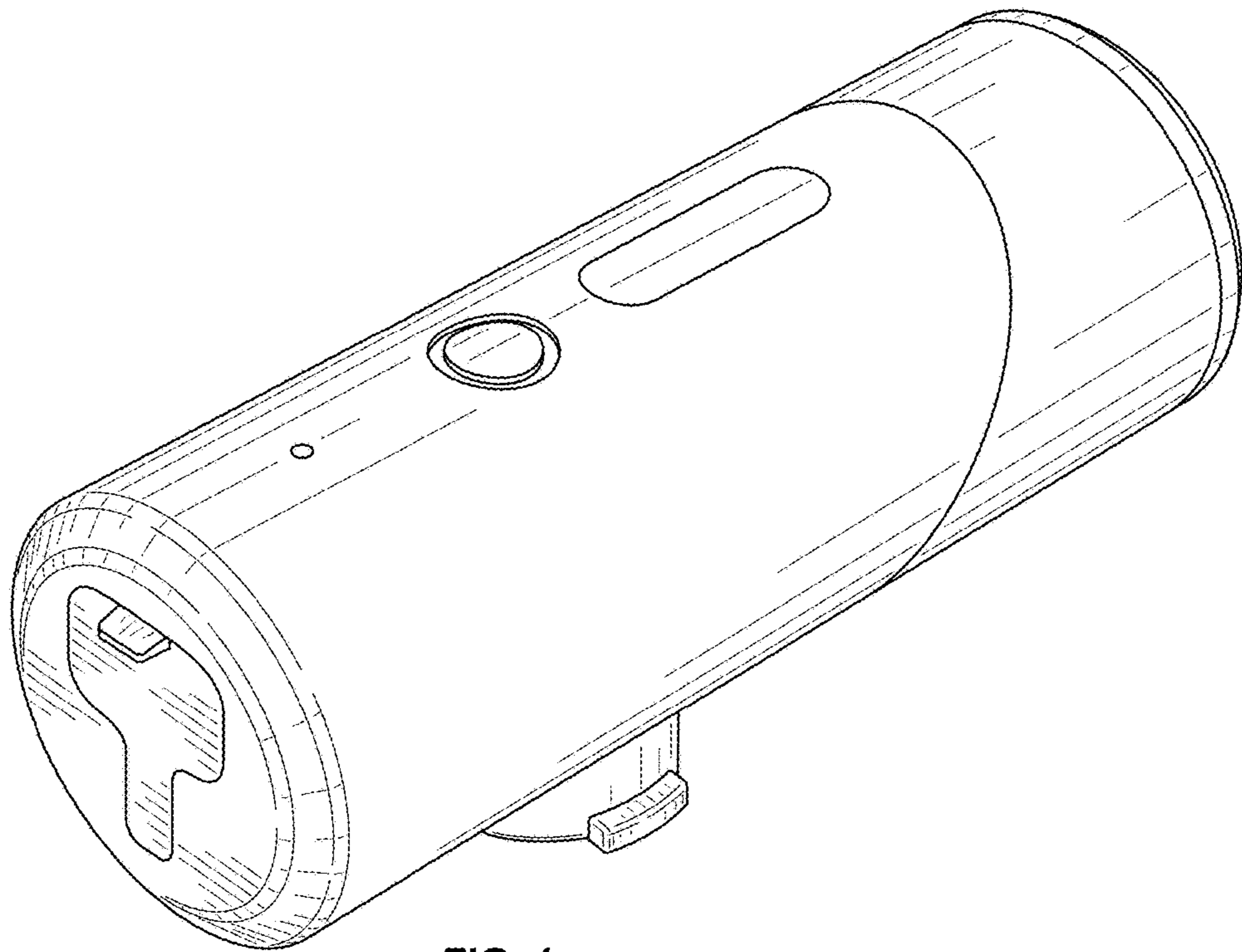


FIG. 1

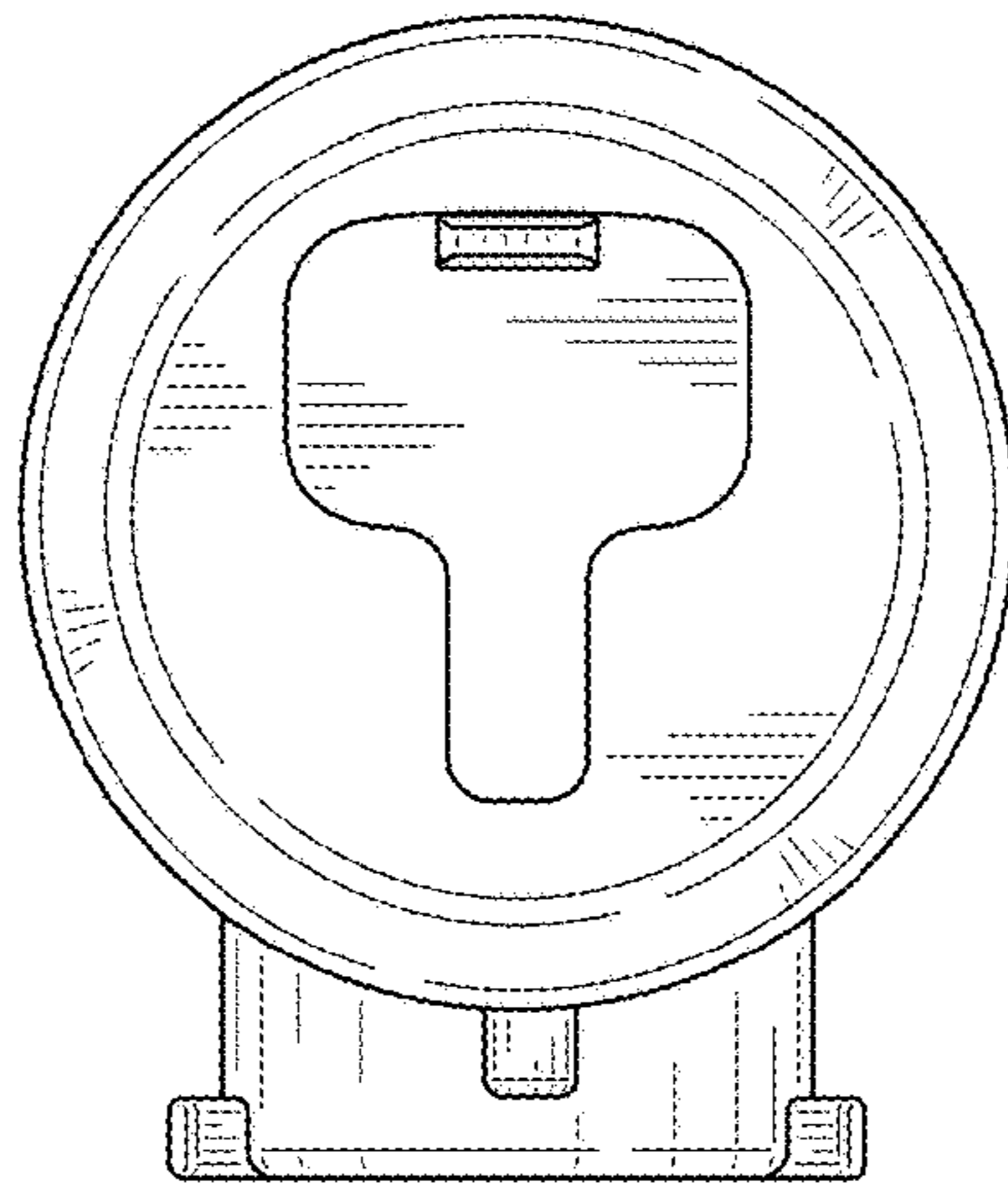


FIG. 2

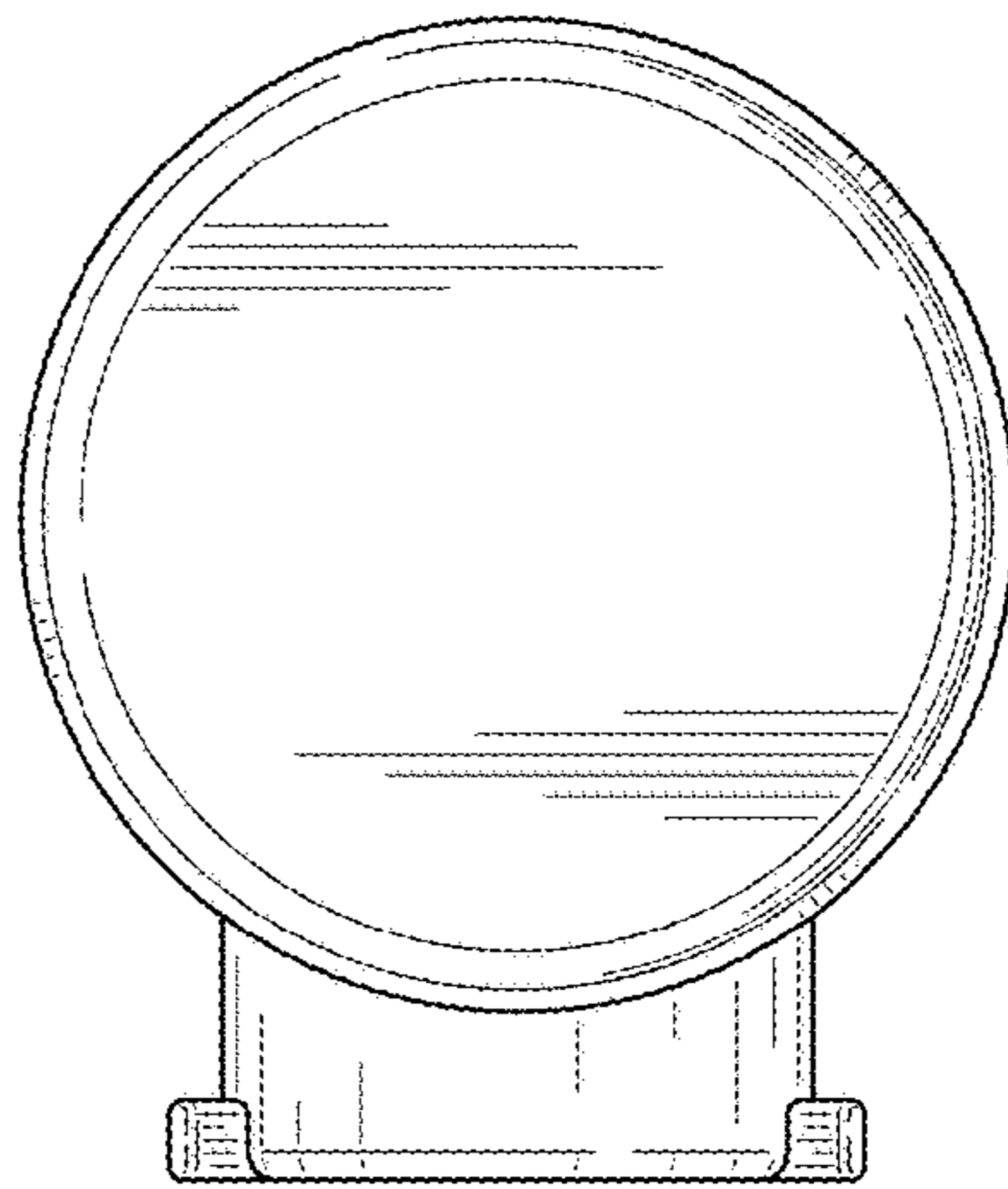


FIG. 3

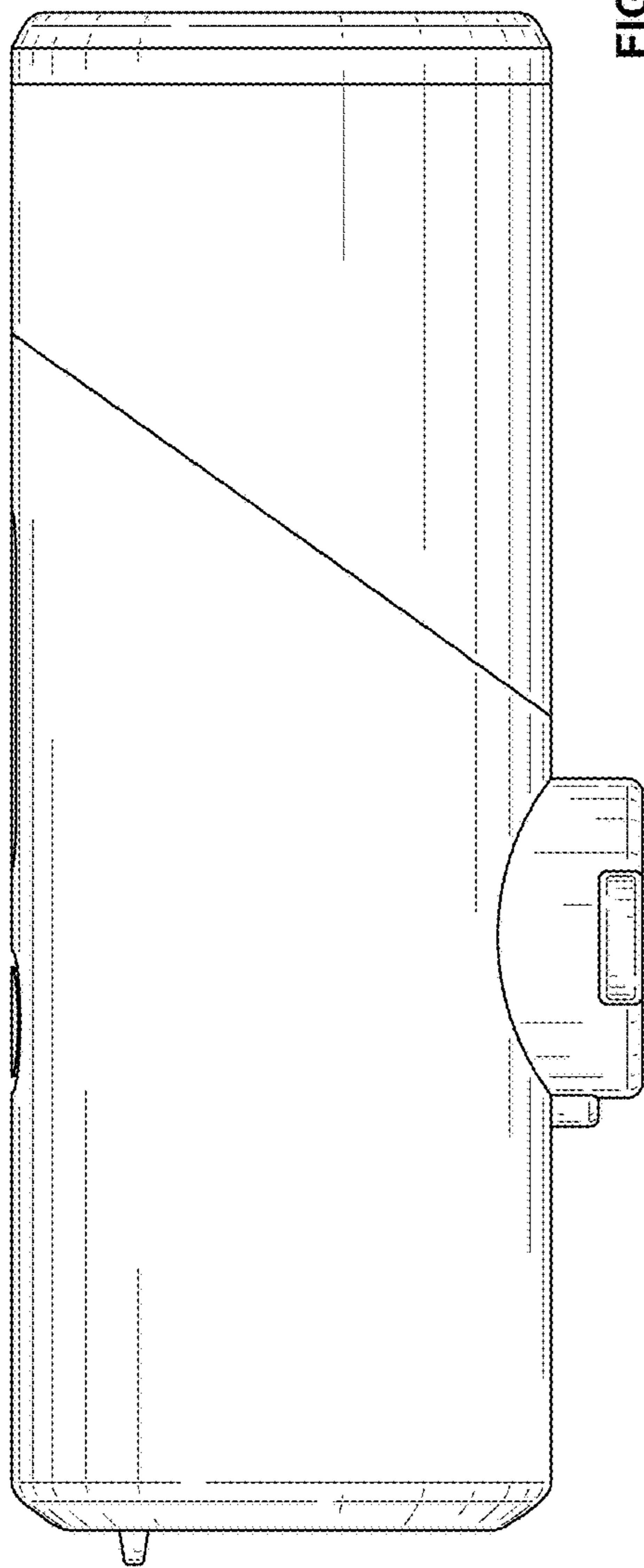


FIG. 4

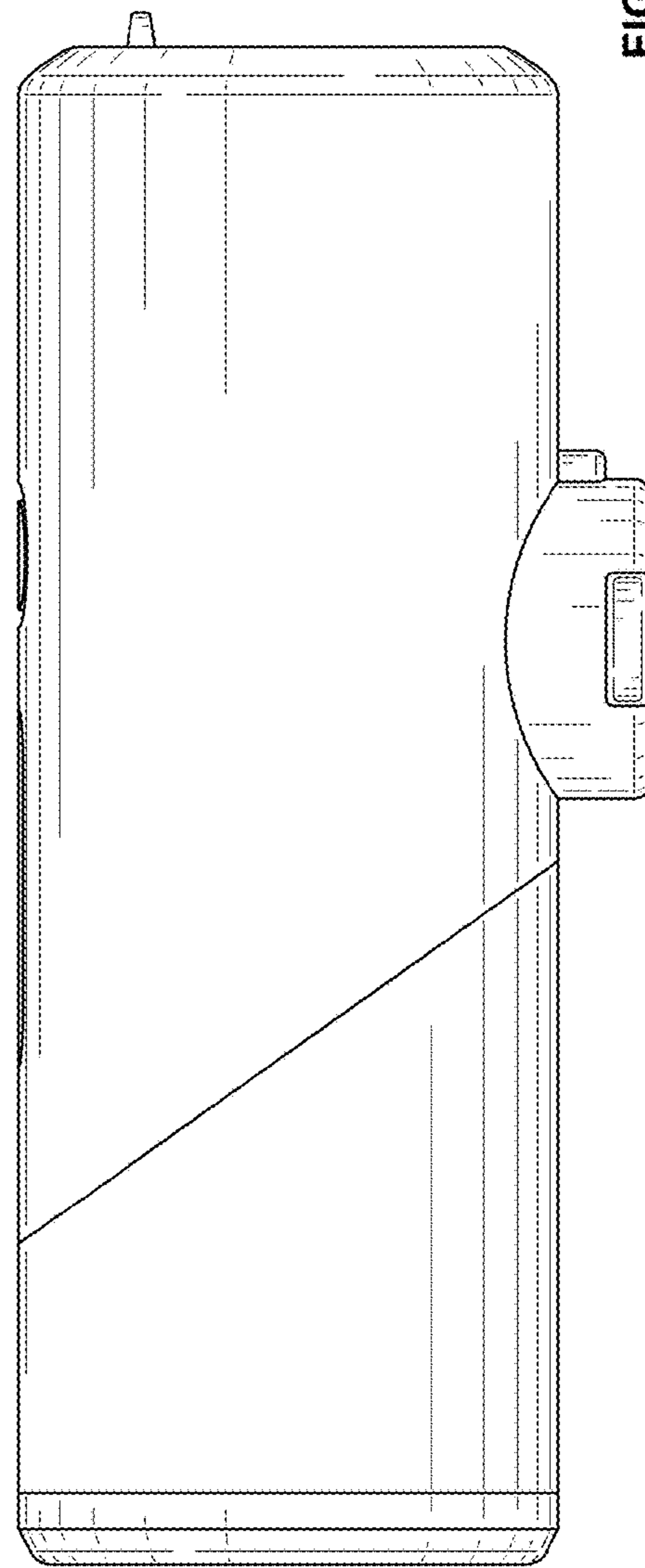


FIG. 5

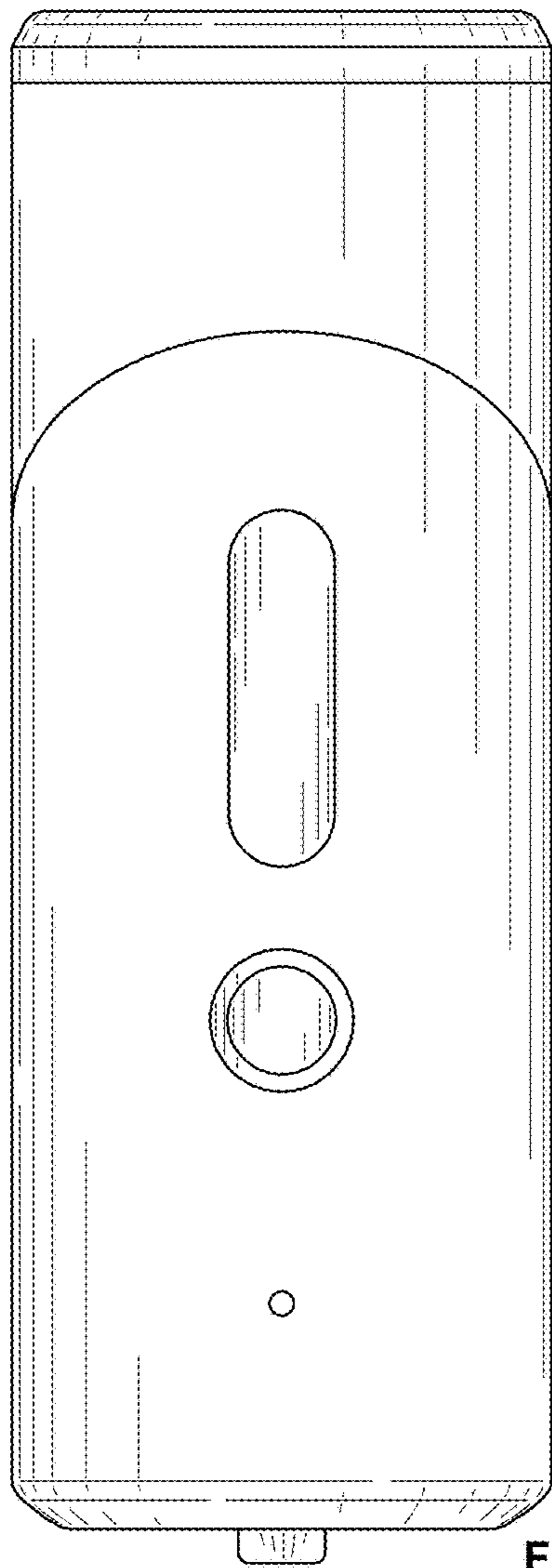


FIG. 6

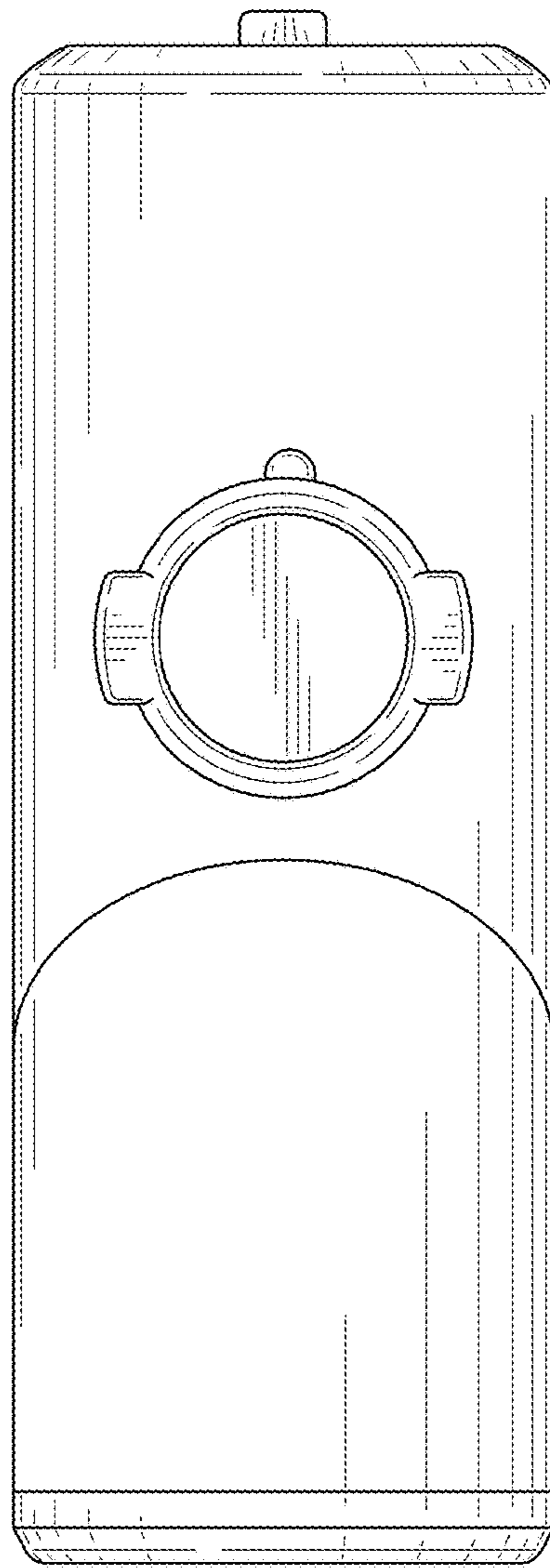


FIG. 7