



US00D867628S

(12) **United States Design Patent** (10) **Patent No.:** **US D867,628 S**
Rego (45) **Date of Patent:** **** Nov. 19, 2019**

(54) **DECORATIVE NIGHT LIGHT**
(71) Applicant: **Daniel Rego**, Dallas, TX (US)
(72) Inventor: **Daniel Rego**, Dallas, TX (US)
(**) Term: **15 Years**
(21) Appl. No.: **29/625,804**

D449,700 S * 10/2001 Liu D26/26
D633,237 S * 2/2011 Wang D26/26
D642,707 S * 8/2011 Kang D26/26
D642,709 S * 8/2011 Kang D26/26
D644,362 S * 8/2011 Kingston D26/26
D647,193 S * 10/2011 Kim D23/366
D772,441 S * 11/2016 Burke D26/26
D772,442 S * 11/2016 Lange D26/26
D806,282 S * 12/2017 Burke D26/26
D806,915 S * 1/2018 Burke D26/26

* cited by examiner

(22) Filed: **Nov. 13, 2017**
(51) **LOC (12) Cl.** **26-05**
(52) **U.S. Cl.**
USPC **D26/26**
(58) **Field of Classification Search**
USPC D26/26, 24, 113, 118, 119, 120;
D23/366, 367, 369; 362/640, 641, 642,
362/643, 644, 650, 651, 652, 653, 659
CPC F21S 8/035; F21V 23/06; F21V 23/0442;
F21W 2121/00; H01R 2103/00
See application file for complete search history.

Primary Examiner — Angela J Lee
(74) *Attorney, Agent, or Firm* — Terry J. Booth

(57) **CLAIM**

I claim the ornamental design for a decorative night light, as shown and described.

DESCRIPTION

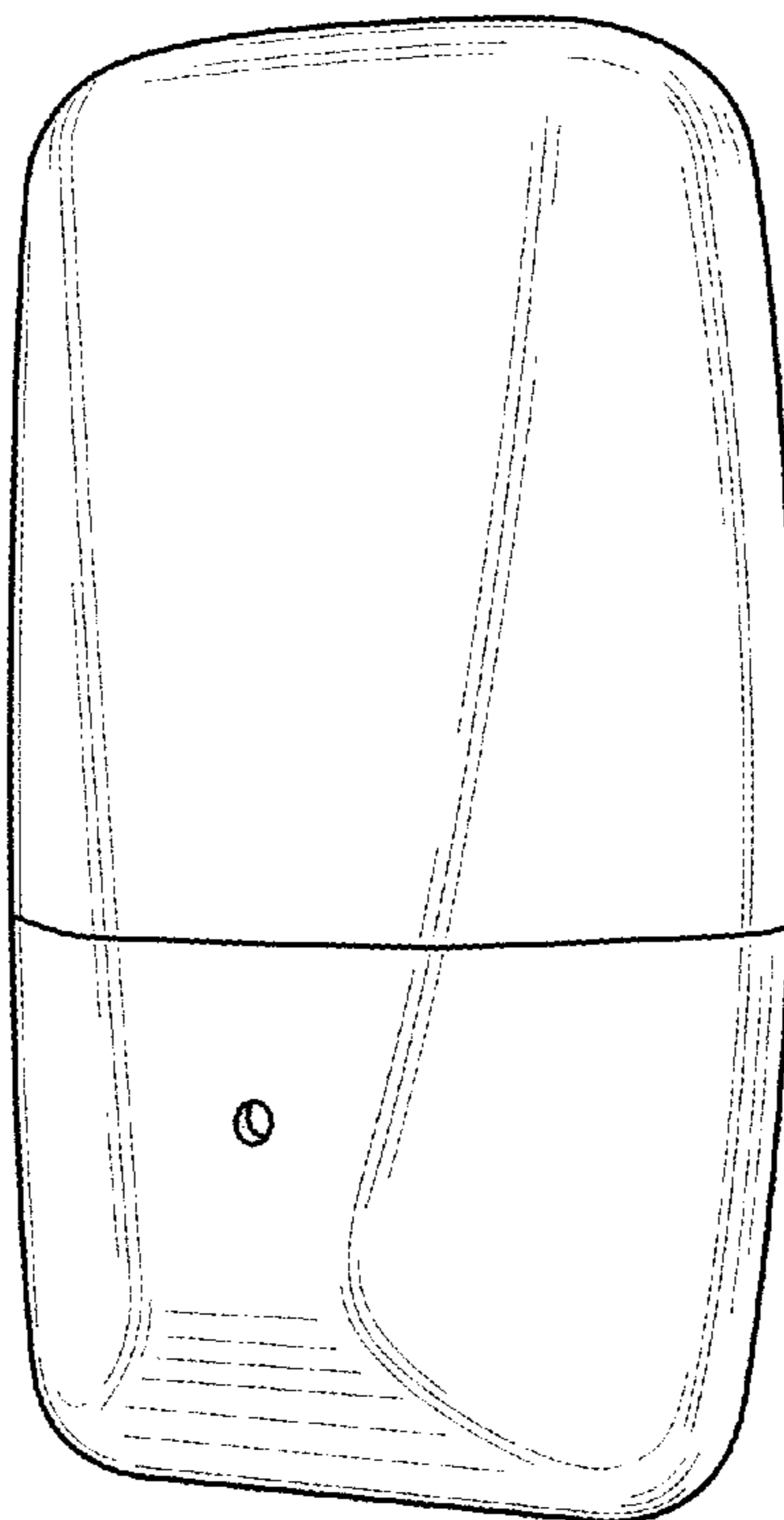
FIG. 1 is a front perspective view of a decorative night light showing my new design;
FIG. 2 is a front elevational view thereof;
FIG. 3 is a left side elevational view thereof;
FIG. 4 is a right side elevational view thereof;
FIG. 5 is a rear elevational view thereof;
FIG. 6 is a top plan view thereof; and,
FIG. 7 is a bottom plan view thereof.

(56) **References Cited**

U.S. PATENT DOCUMENTS

D287,408 S * 12/1986 Gaines D26/26
D430,945 S * 9/2000 Ham D26/26
D431,660 S * 10/2000 Yuen D26/26

1 Claim, 6 Drawing Sheets



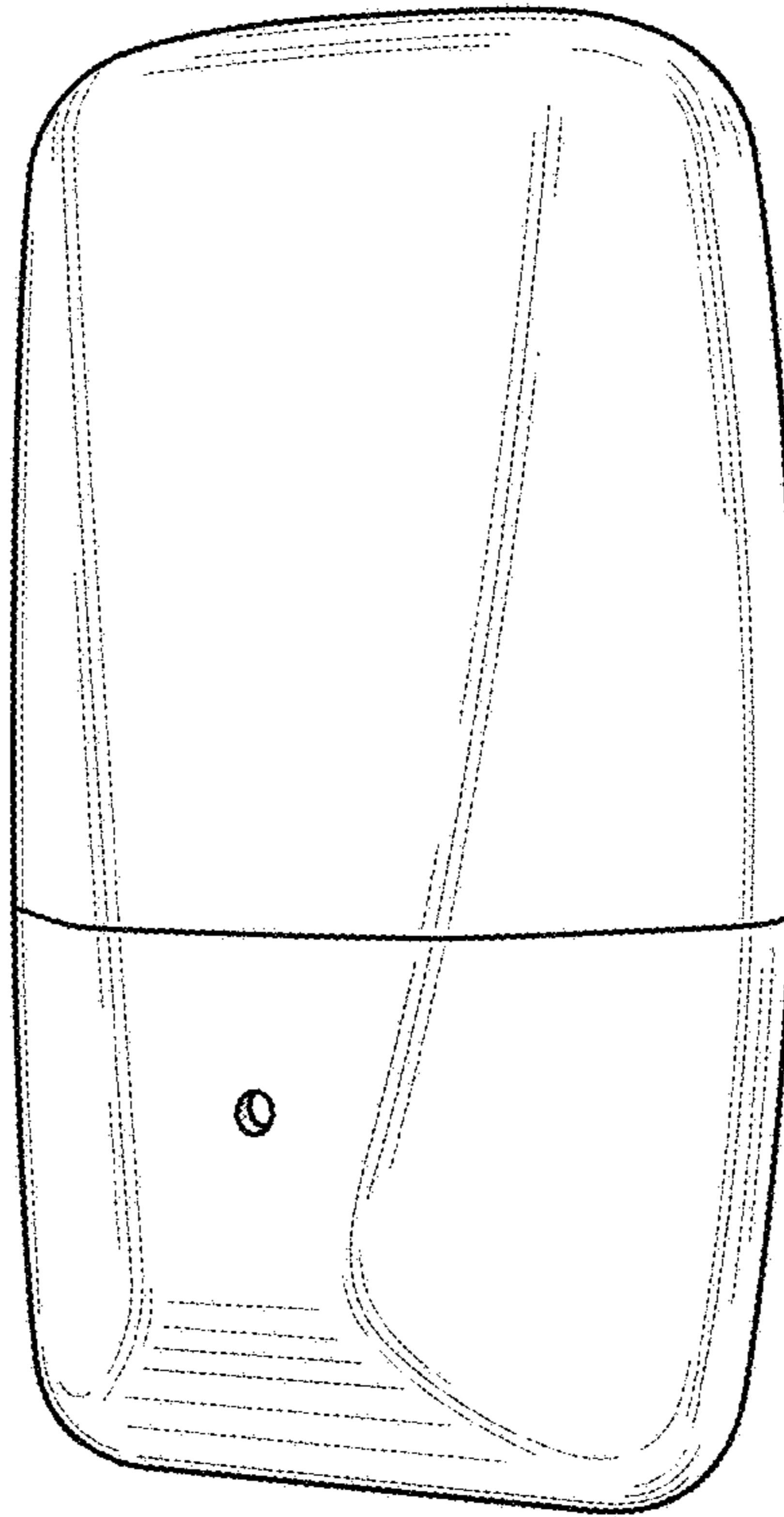


FIG. 1

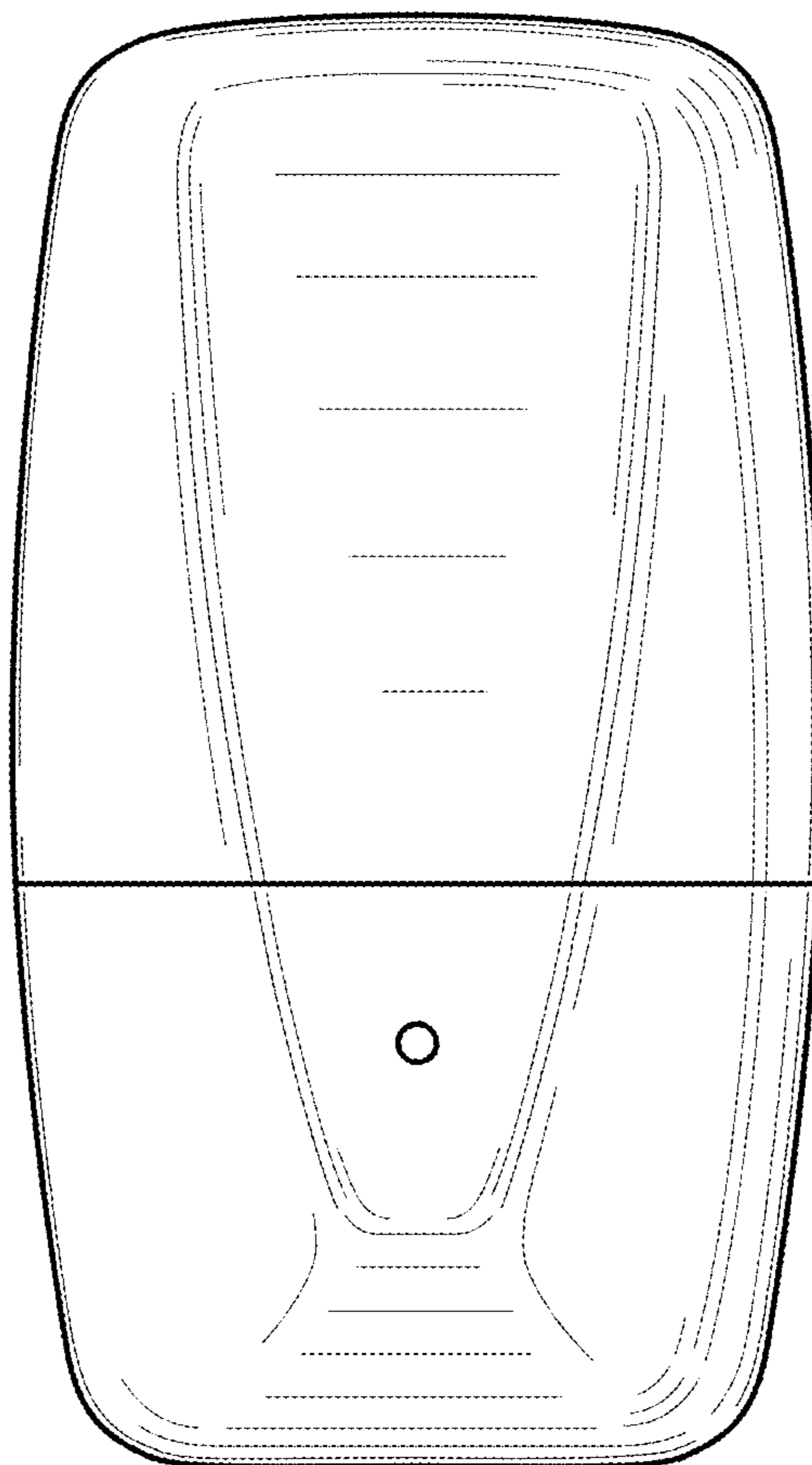


FIG. 2

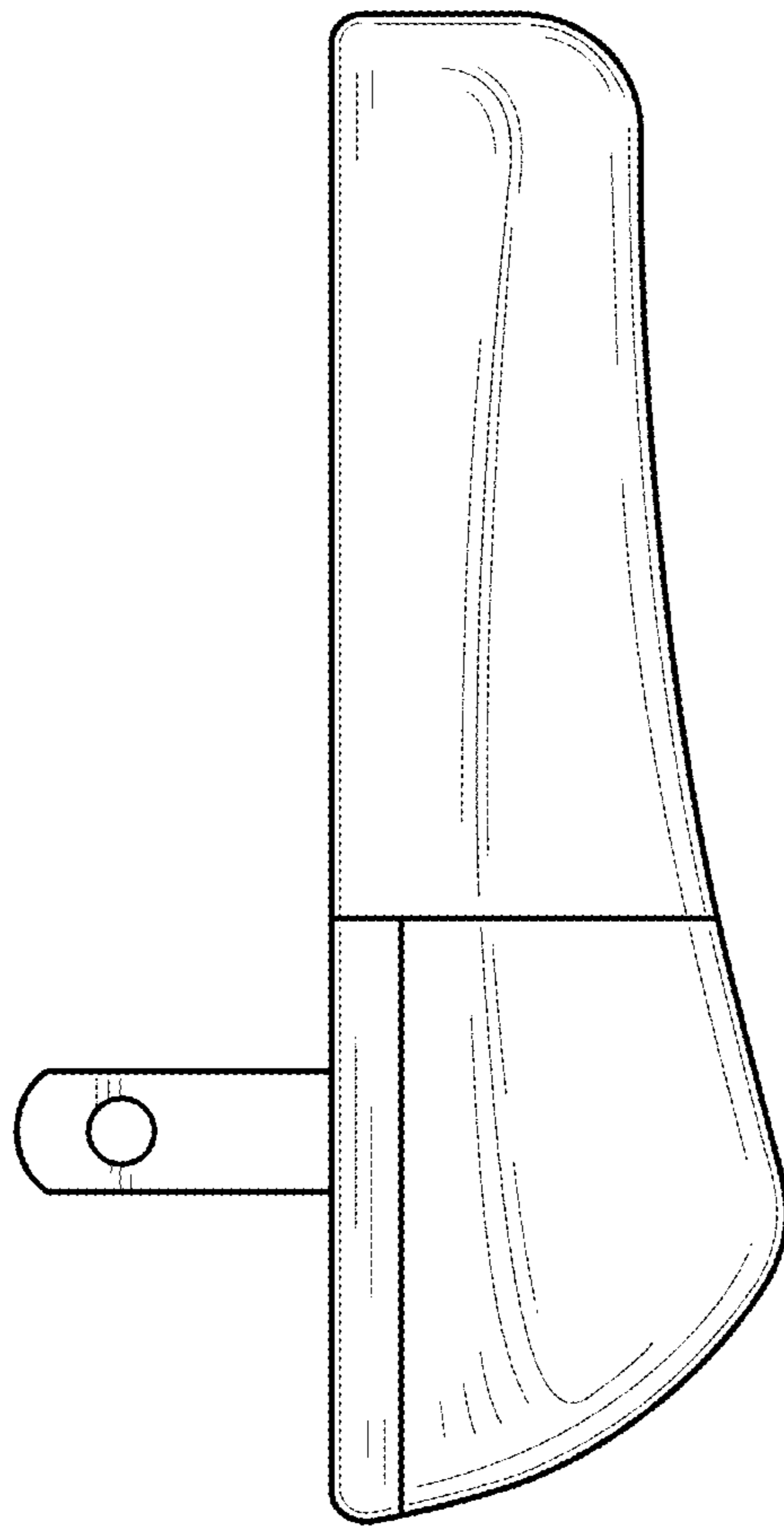


FIG. 3

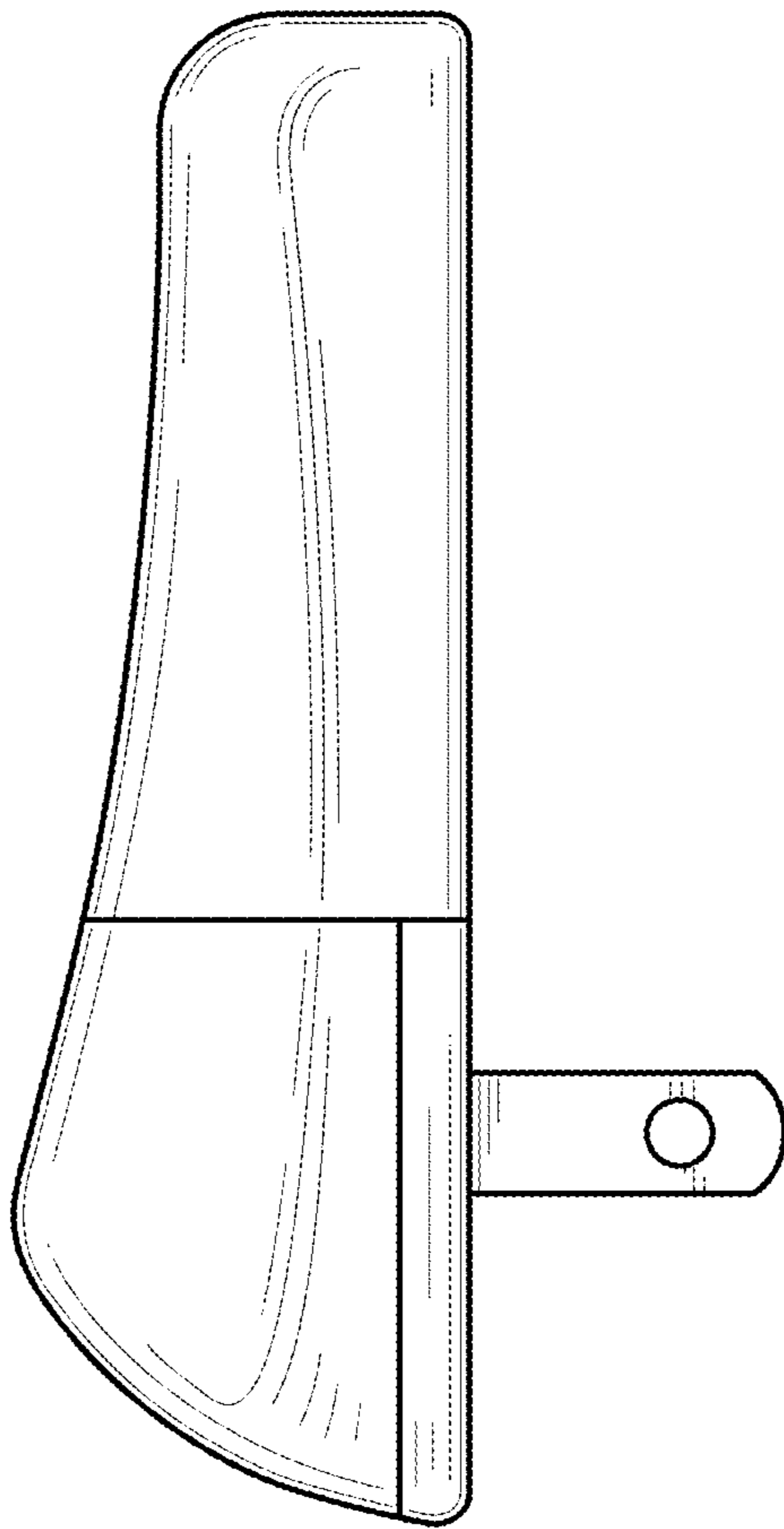


FIG. 4

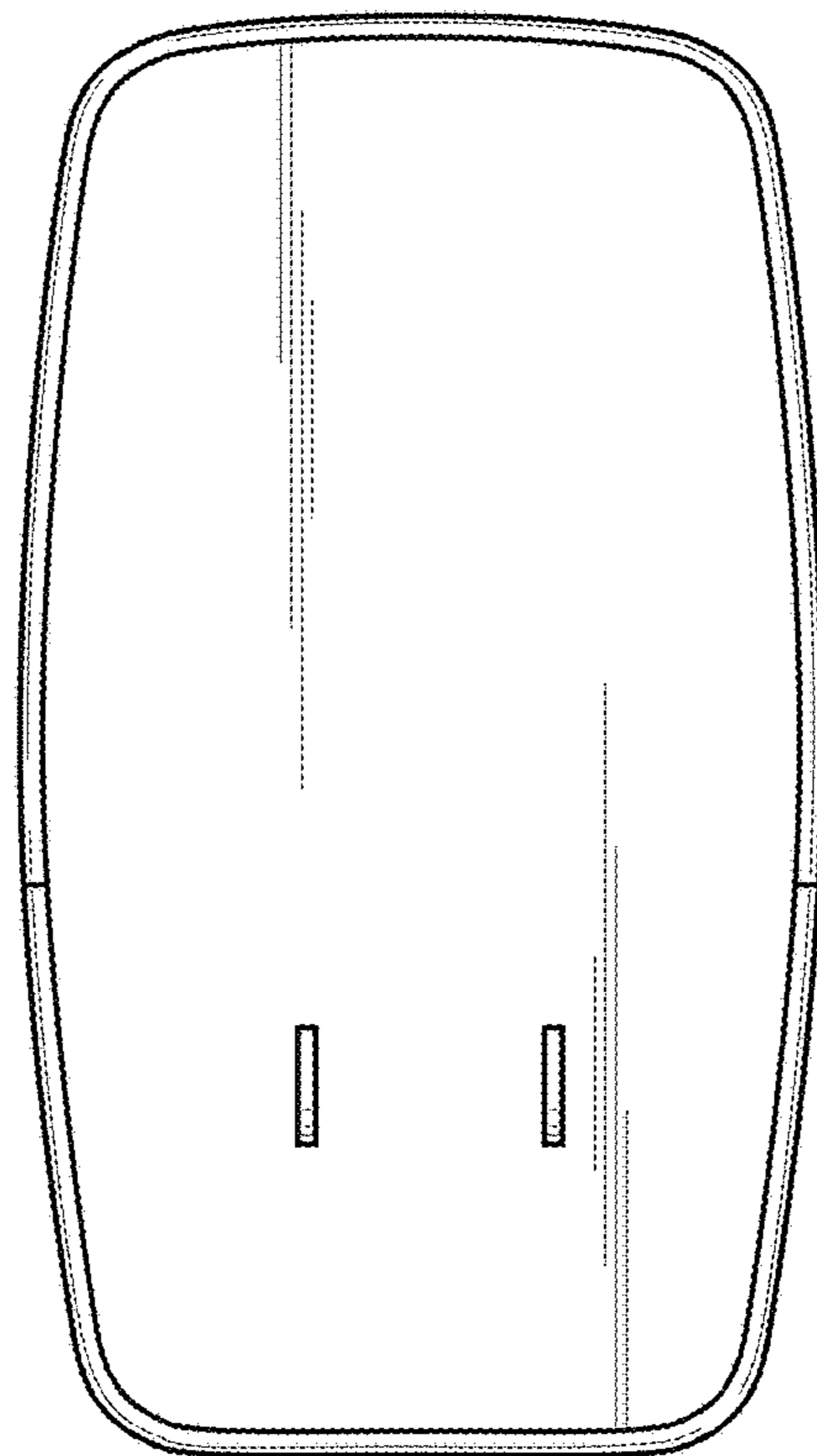


FIG. 5

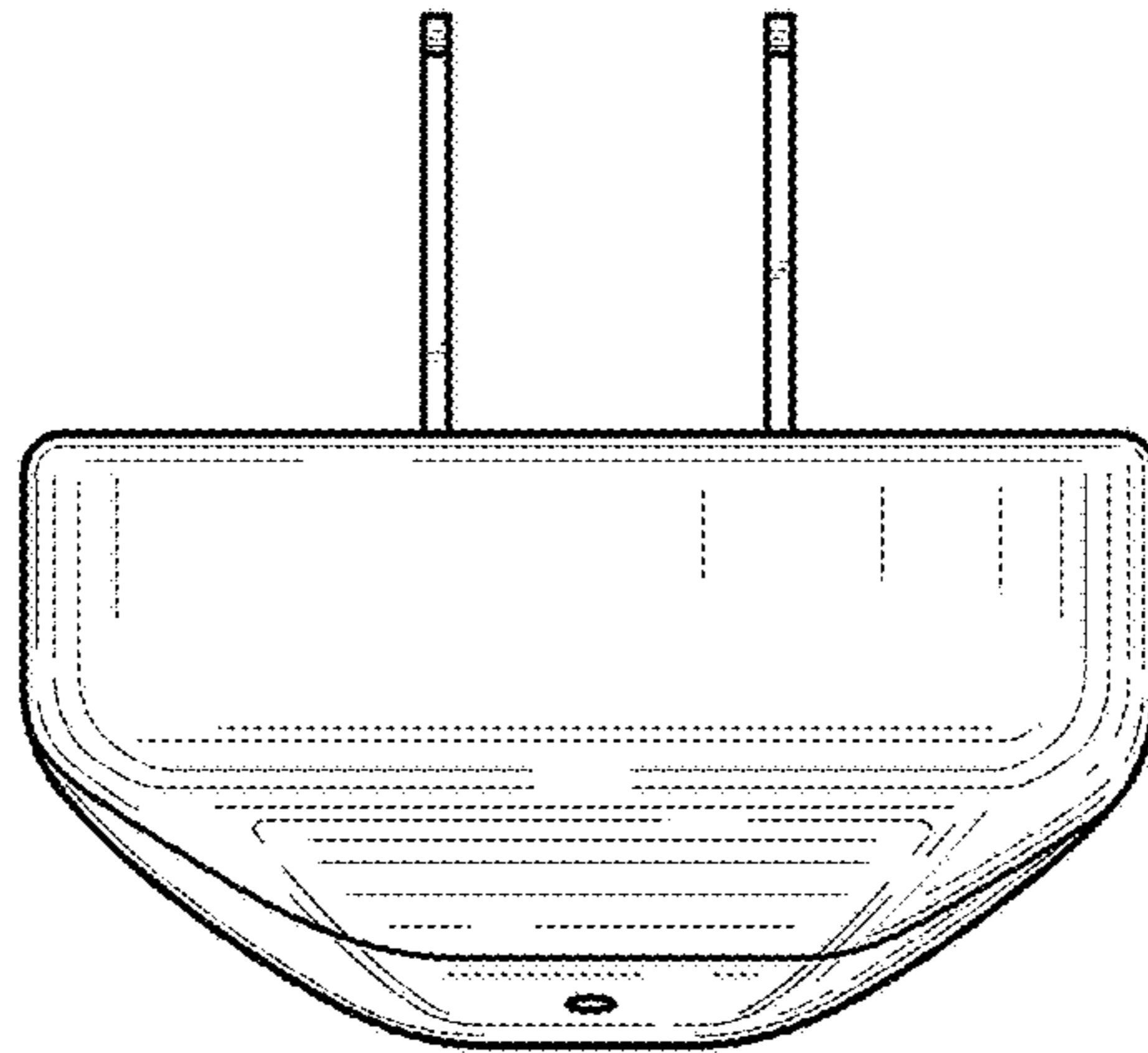


FIG. 6

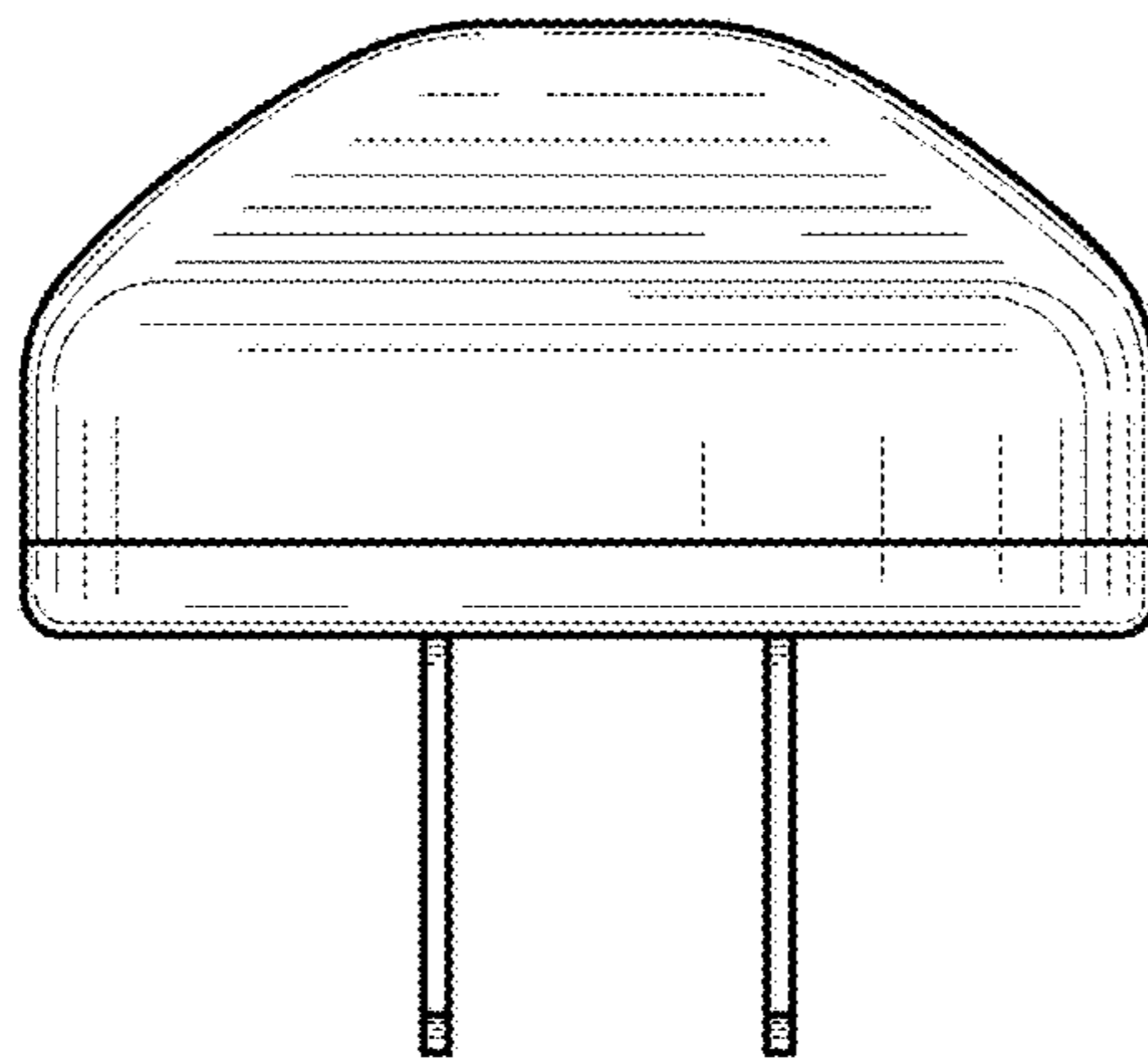


FIG. 7