

US00D867627S

(12) **United States Design Patent** (10) **Patent No.:** **US D867,627 S**
Pisupati et al. (45) **Date of Patent:** **** Nov. 19, 2019**

(54) **TAPERED CIRCULAR STRING LIGHTING FIXTURE**

(71) Applicant: **SIGNIFY HOLDING B.V.**, Eindhoven (NL)

(72) Inventors: **Kalyan Pisupati**, Reading, MA (US); **Zachary Robert Wessner**, Salem, NH (US); **Peter Swai**, Woburn, MA (US)

(73) Assignee: **SIGNIFY HOLDING B.V.**, Eindhoven (NL)

(**) Term: **15 Years**

(21) Appl. No.: **29/622,907**

(22) Filed: **Oct. 20, 2017**

(30) **Foreign Application Priority Data**

Apr. 21, 2017 (EM) 003866094-0001

(51) **LOC (12) Cl.** **26-03**

(52) **U.S. Cl.**
USPC **D26/25**

(58) **Field of Classification Search**
USPC D26/1, 24, 25, 94, 118, 128, 129
CPC F21W 2121/04; F21S 4/00; F21S 4/001;
F21S 4/002; F21S 4/003; G09F 13/00
See application file for complete search history.

(56) **References Cited**

U.S. PATENT DOCUMENTS

D547,887 S *	7/2007	Titmarsh	D26/25
D768,892 S *	10/2016	Lockart	D26/25
D814,669 S *	4/2018	Scoda	D26/25
D825,793 S *	8/2018	Lentz	D26/25
D836,221 S *	12/2018	Sauppe	D26/25

OTHER PUBLICATIONS

Colorkinetics Maximum flexibility FlexElite Product Guide.

* cited by examiner

Primary Examiner — Brian N. Vinson

(74) *Attorney, Agent, or Firm* — Daniel J. Piotrowski

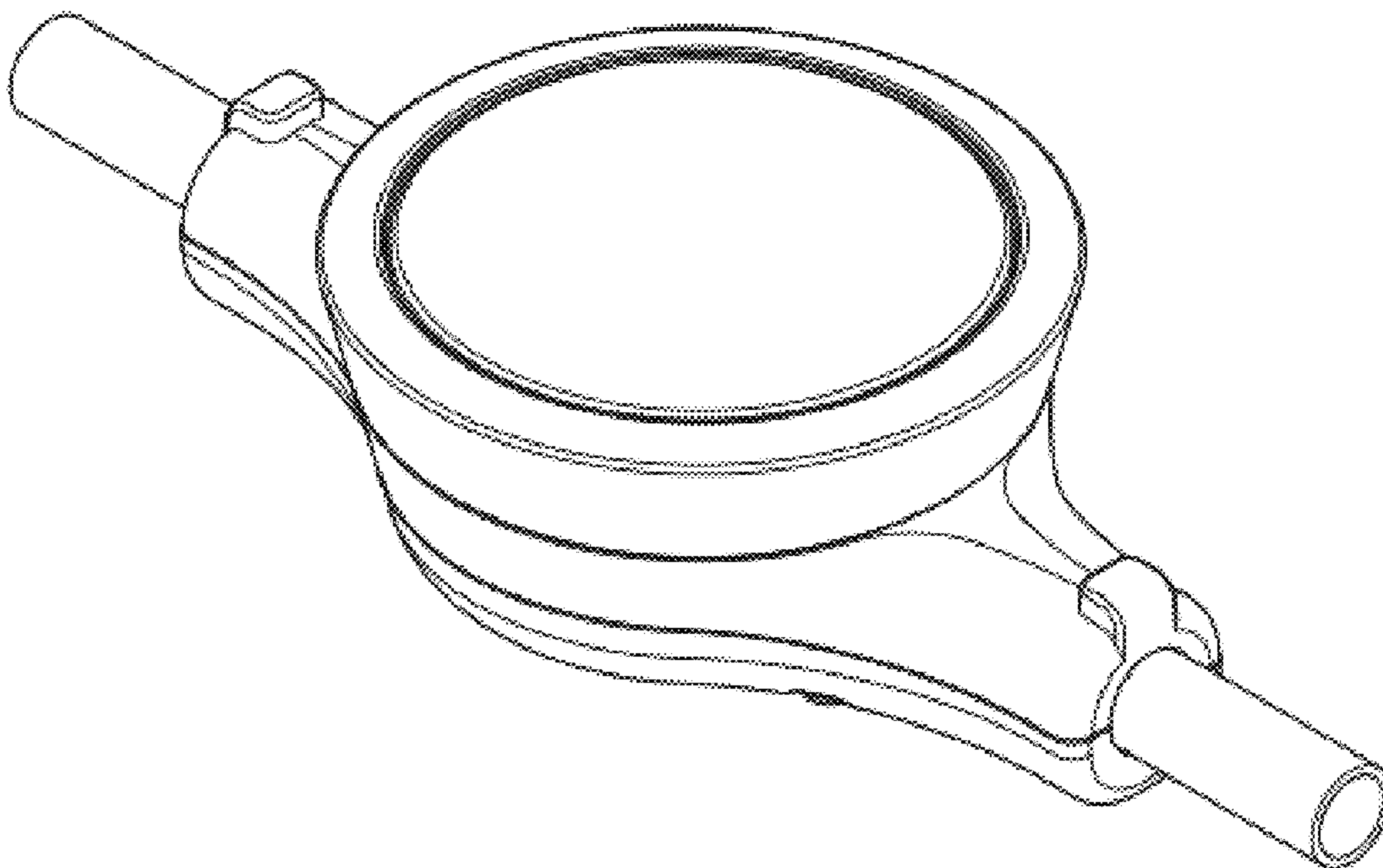
(57) **CLAIM**

The ornamental design for a tapered circular string lighting fixture, as shown and described.

DESCRIPTION

FIG. 1 is a perspective view showing my design;
FIG. 2 is a front elevational view thereof;
FIG. 3 is a rear elevational view thereof;
FIG. 4 is a right side elevational view thereof;
FIG. 5 is a left side elevational view thereof;
FIG. 6 is a top plan view thereof; and,
FIG. 7 is a bottom plan view thereof.

1 Claim, 4 Drawing Sheets



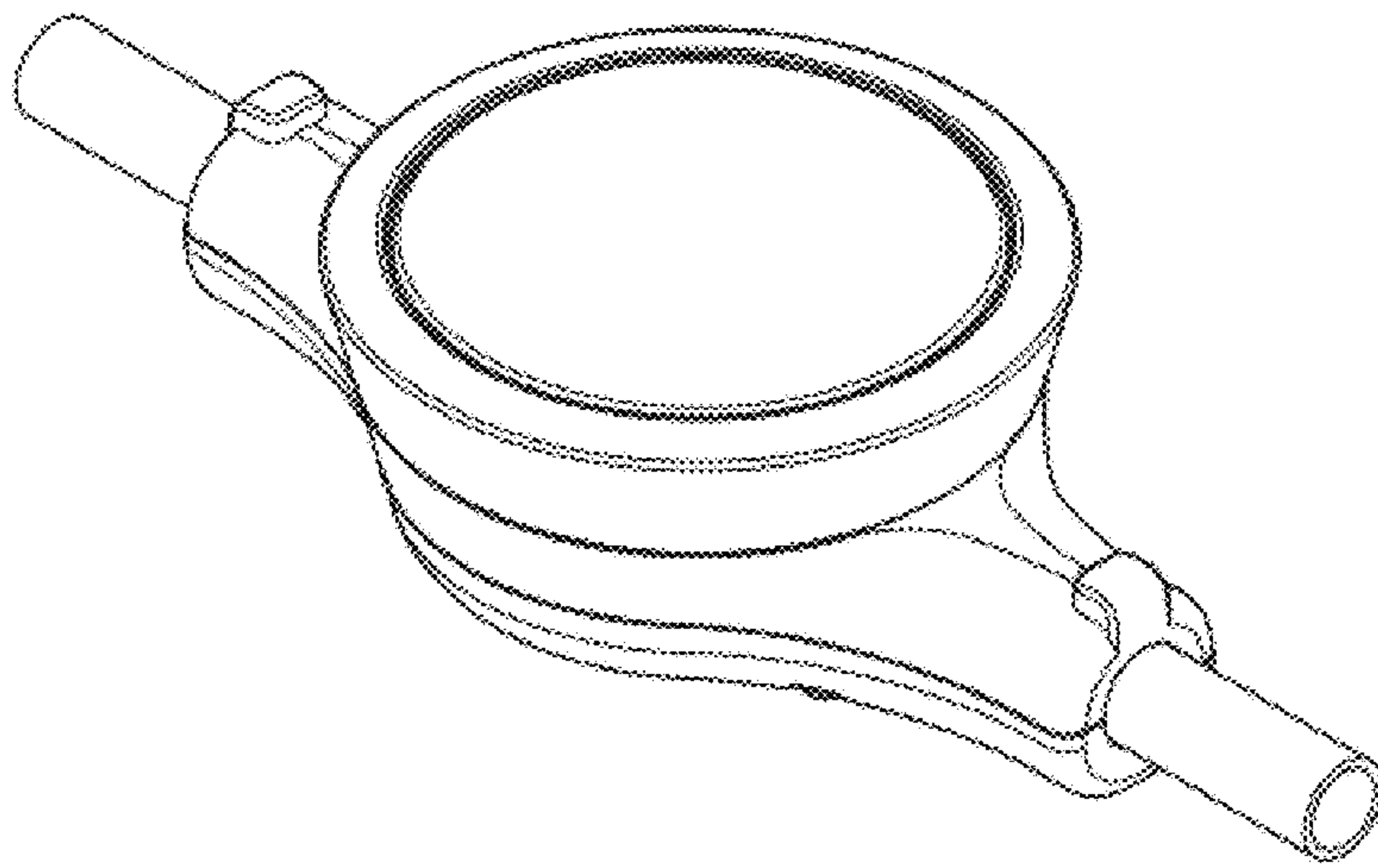


FIG. 1

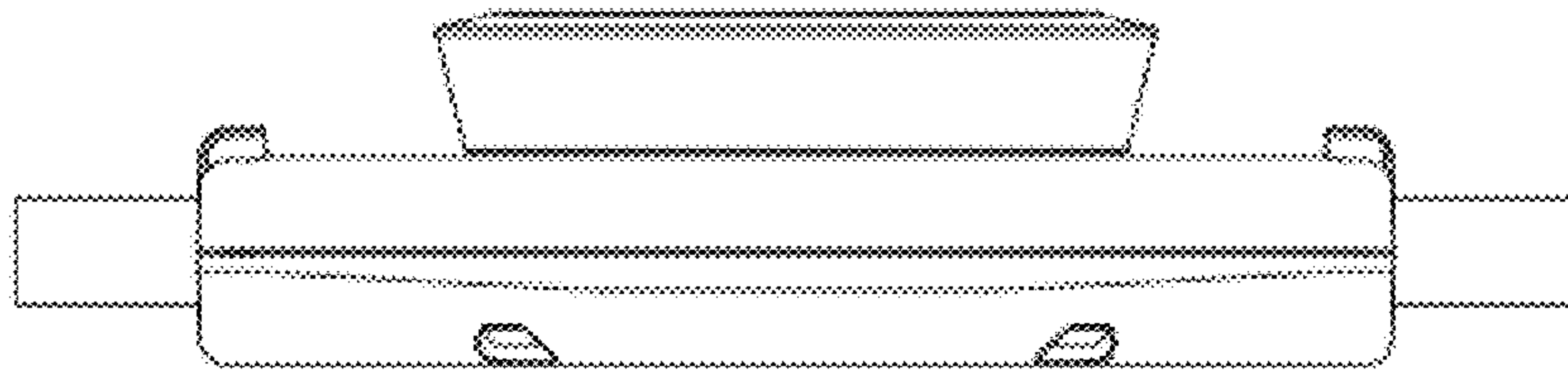


FIG. 2

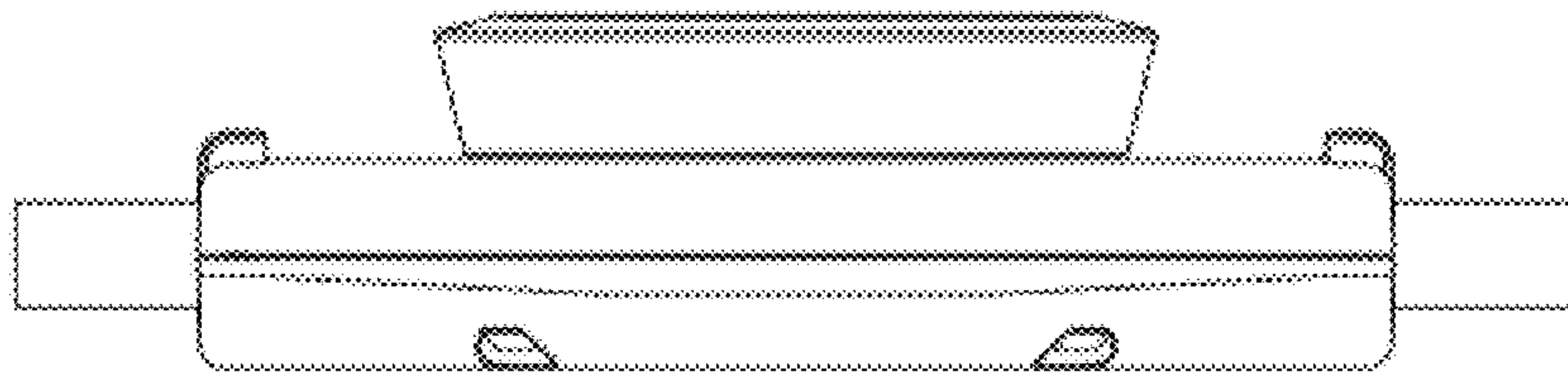


FIG. 3

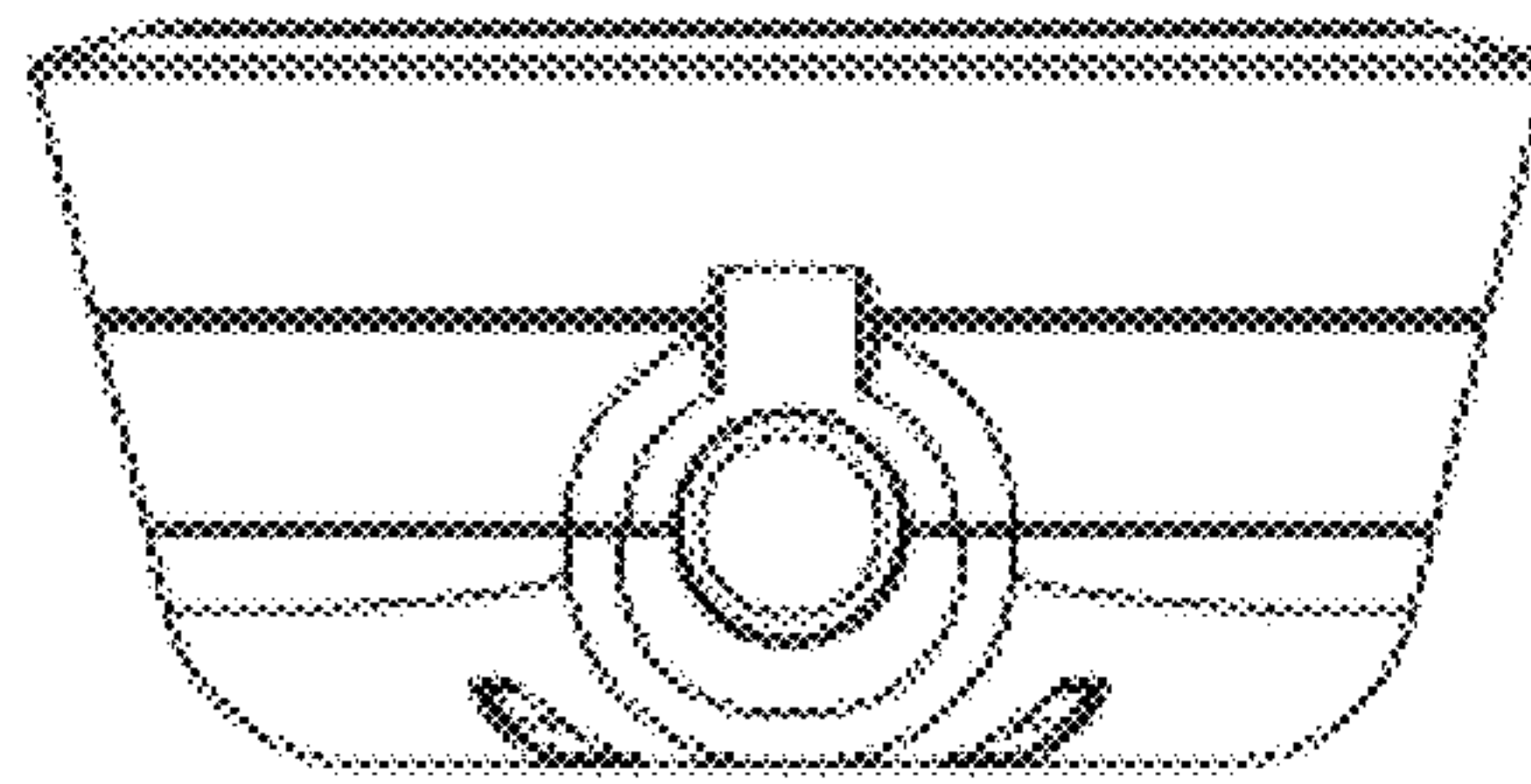


FIG. 4

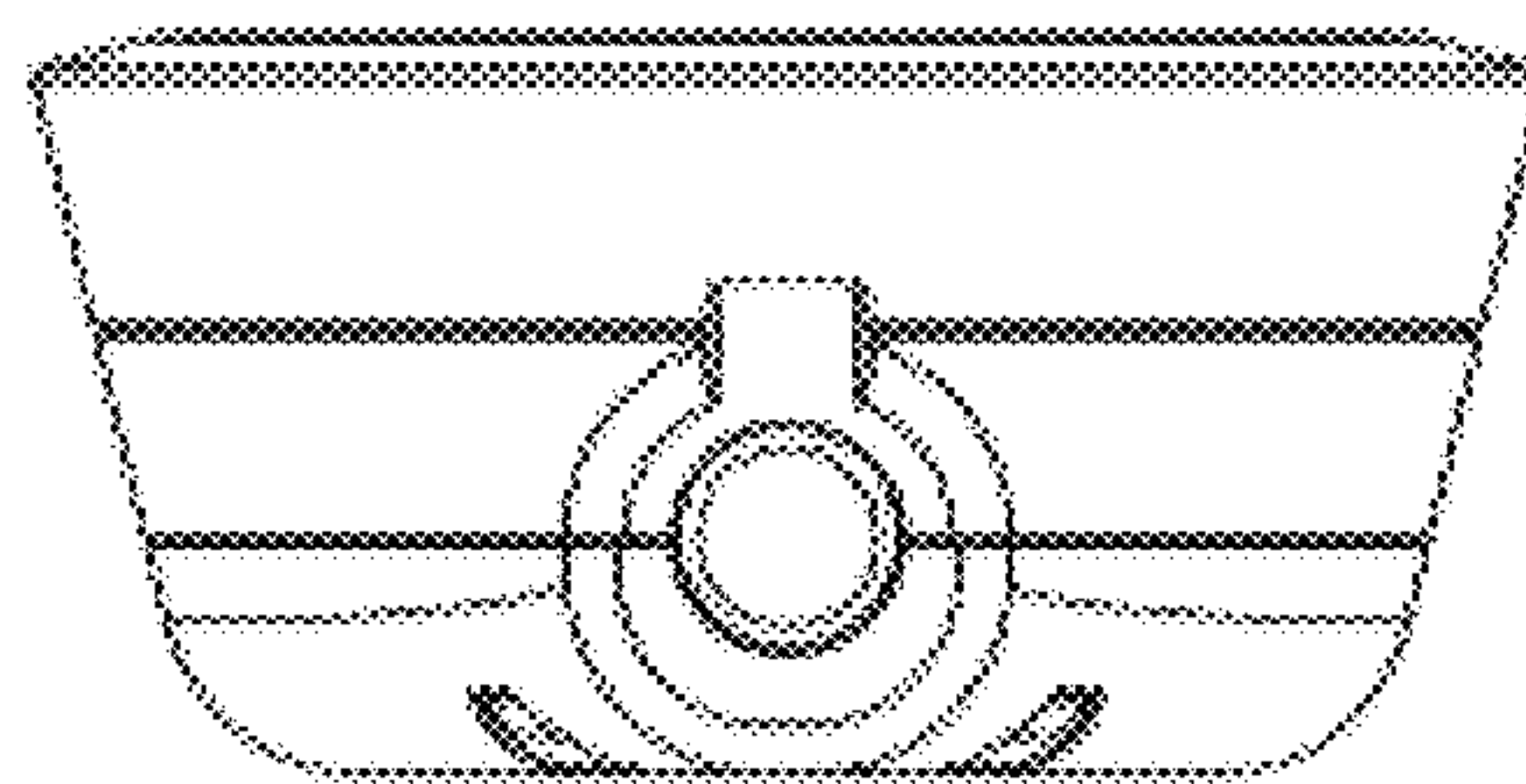


FIG. 5

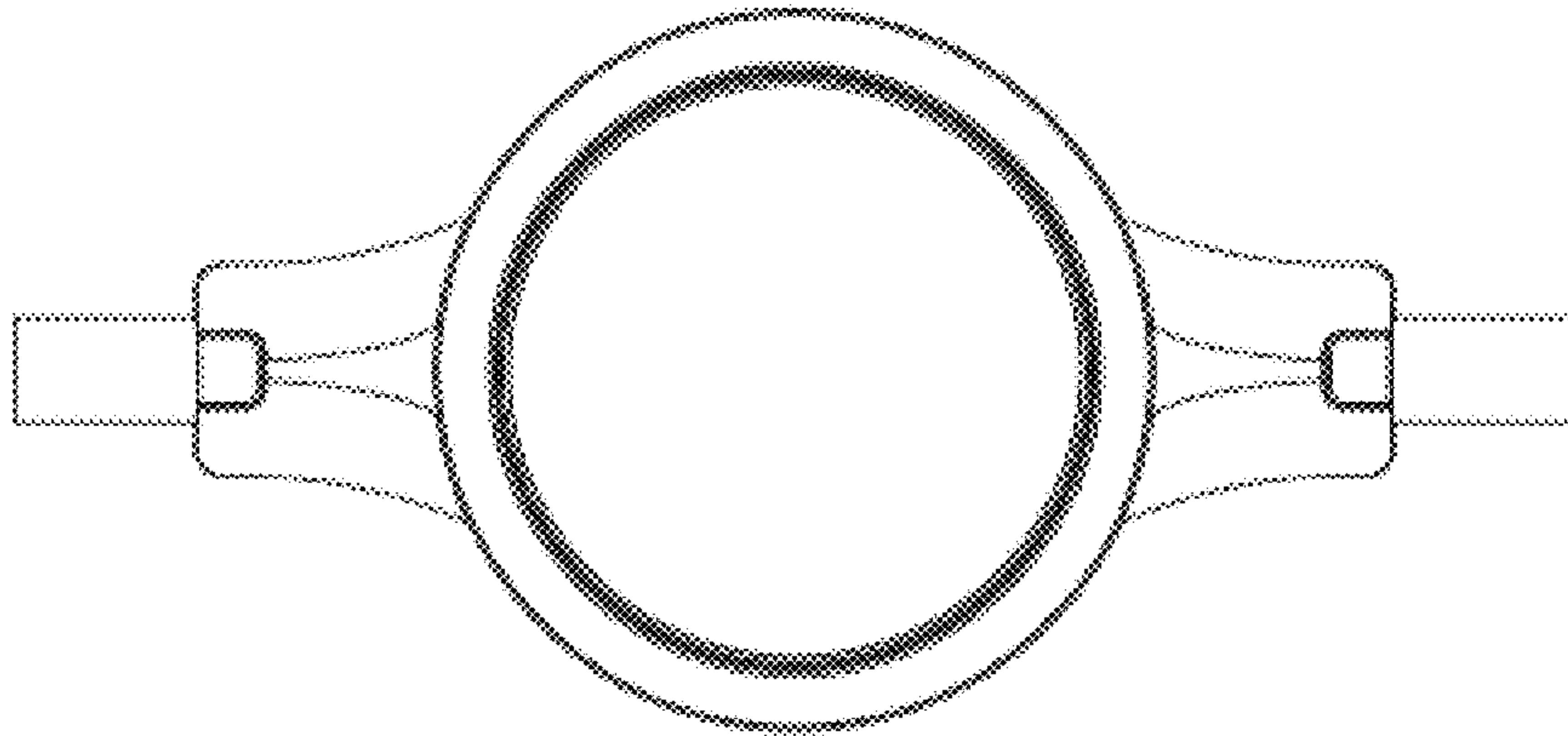


FIG. 6

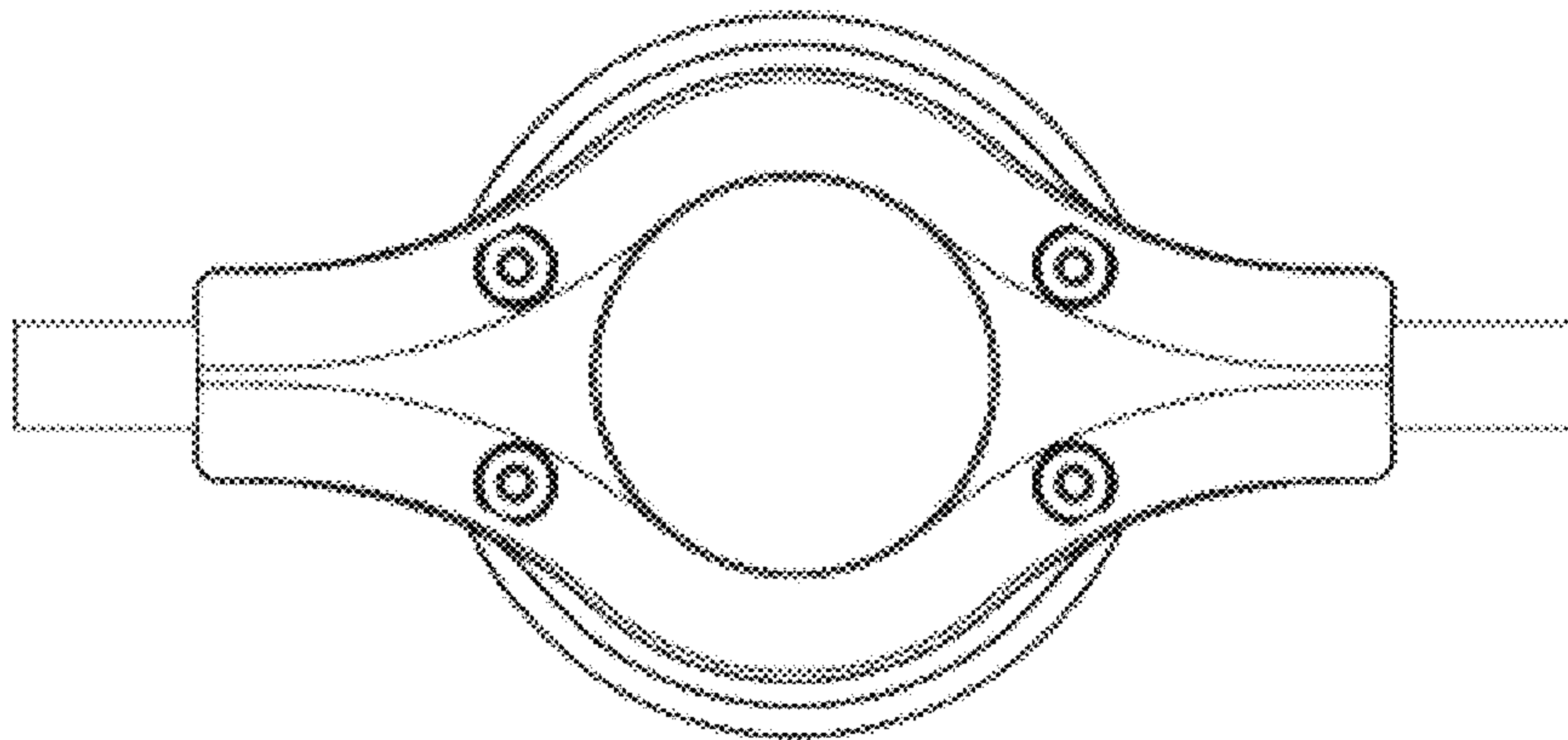


FIG. 7