



US00D867625S

(12) **United States Design Patent** (10) **Patent No.:** **US D867,625 S**
Khubani (45) **Date of Patent:** **** Nov. 19, 2019**

(54) **LIGHTING APPARATUS**

(56) **References Cited**

(71) Applicant: **Telebrands Corp.**, Fairfield, NJ (US)

U.S. PATENT DOCUMENTS

(72) Inventor: **Ajit Khubani**, Saddle River, NJ (US)

D589,636 S * 3/2009 Pinette D26/63
D614,781 S * 4/2010 Huang D26/2
D617,474 S * 6/2010 Huang D26/2
D617,930 S * 6/2010 Chen D26/60
D720,090 S * 12/2014 Toomey D26/24
D757,307 S * 5/2016 Wallach D26/24

(73) Assignee: **Telebrands Corp.**, Fairfield, NJ (US)

(**) Term: **15 Years**

* cited by examiner

(21) Appl. No.: **29/639,446**

Primary Examiner — Brian N. Vinson

(22) Filed: **Mar. 6, 2018**

(74) *Attorney, Agent, or Firm* — Cooper & Dunham LLP

Related U.S. Application Data

(63) Continuation-in-part of application No. 15/461,305, filed on Mar. 16, 2017, now Pat. No. 10,030,855.

(51) **LOC (12) Cl.** **26-03**

(52) **U.S. Cl.**
USPC **D26/24**

(58) **Field of Classification Search**
USPC D26/24, 60, 63, 65
CPC F21L 4/00; F21L 4/005; F21Y 2115/10;
F21V 21/08; F21V 23/023; F21V
23/0414; F21V 23/0471

See application file for complete search history.

(57) **CLAIM**

The ornamental design for a lighting apparatus, as shown and described.

DESCRIPTION

FIG. 1 is a top perspective view of a lighting apparatus in accordance with the present design;
FIG. 2 is a top view thereof;
FIG. 3 is a front view thereof;
FIG. 4 is a bottom view thereof;
FIG. 5 is a front perspective view thereof; and,
FIG. 6 is a front view thereof.
The broken lines represent portions of the lighting apparatus which form no part of the claimed design.

1 Claim, 5 Drawing Sheets

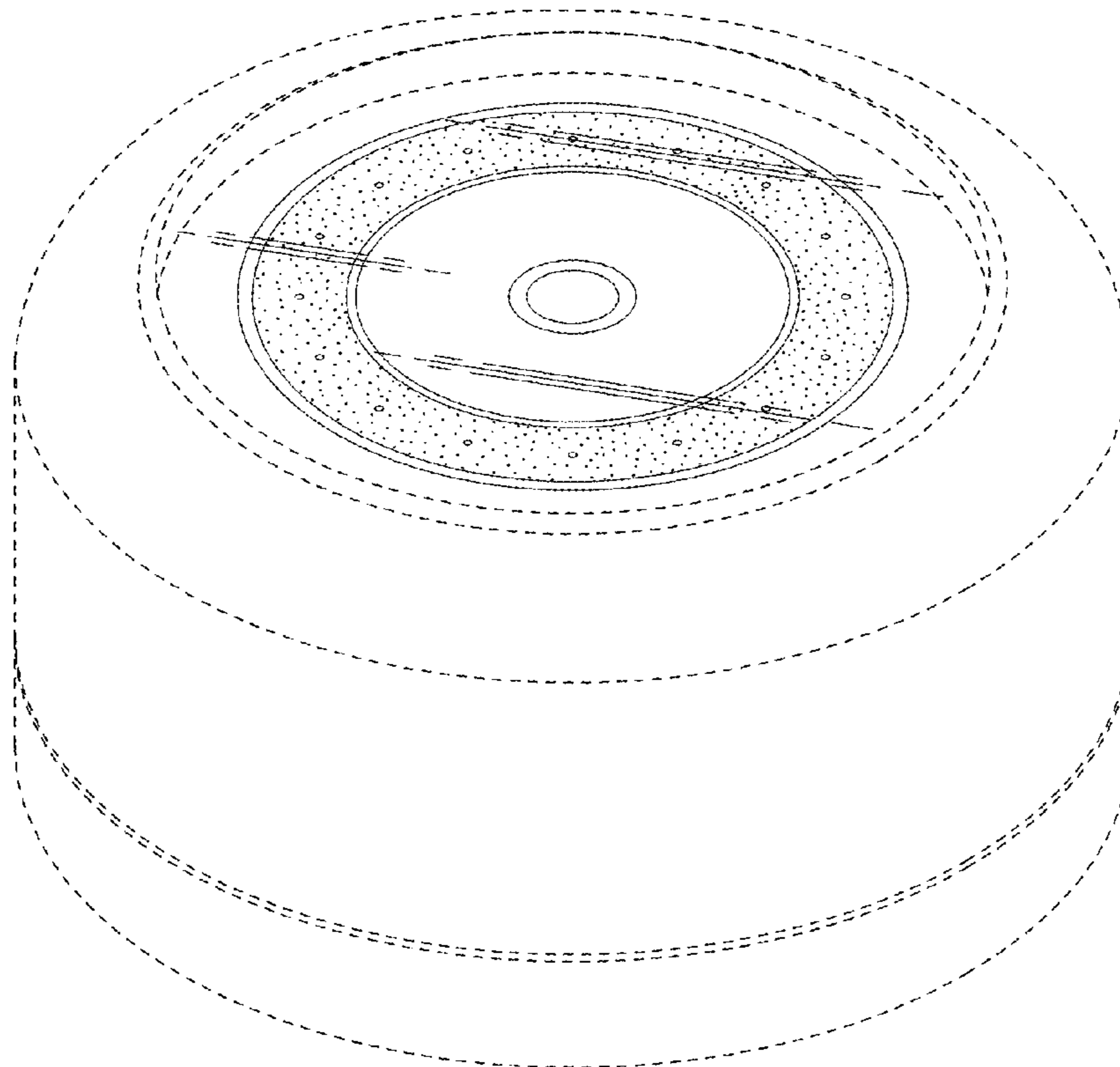


FIG. 1

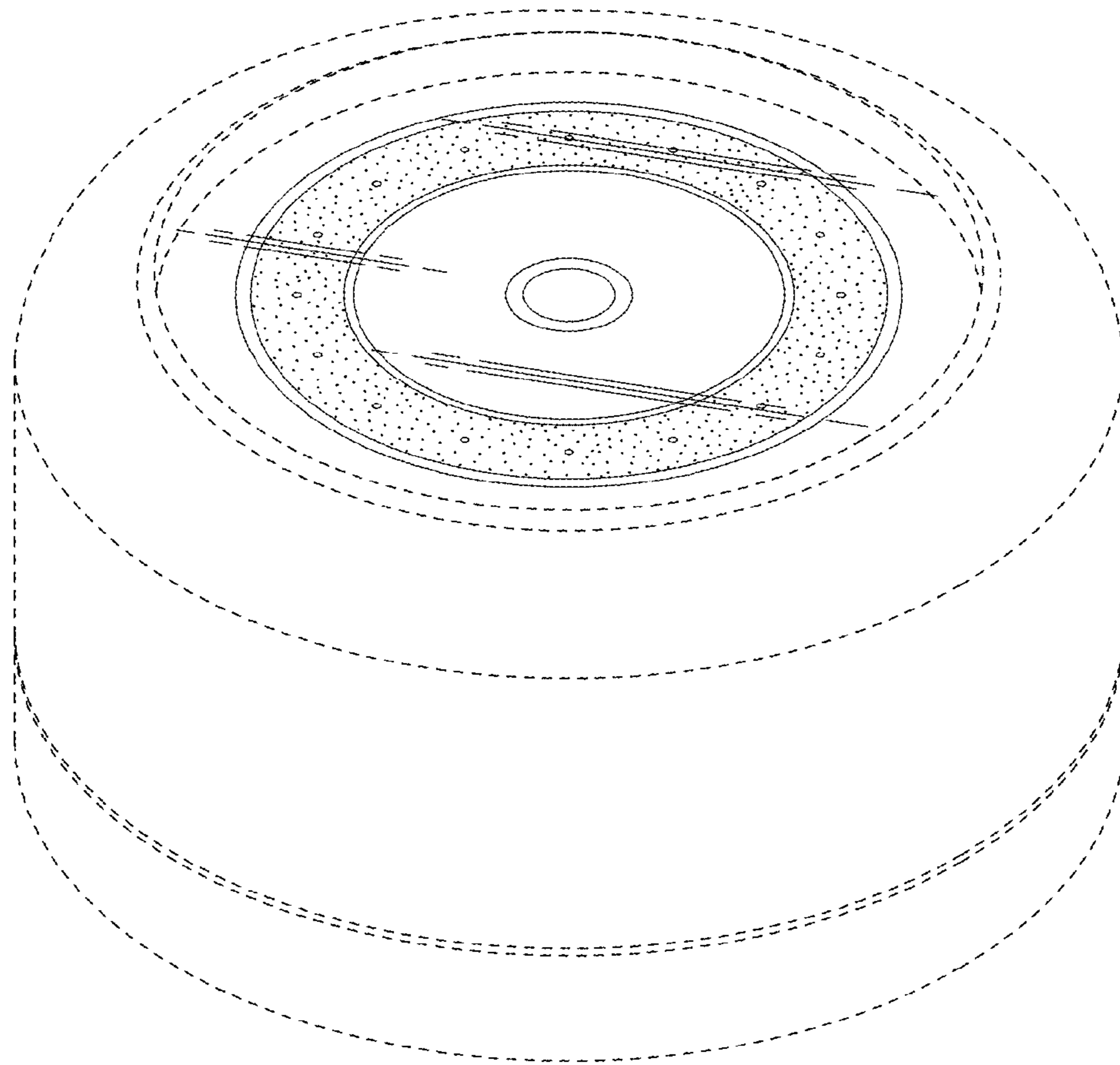


FIG. 2

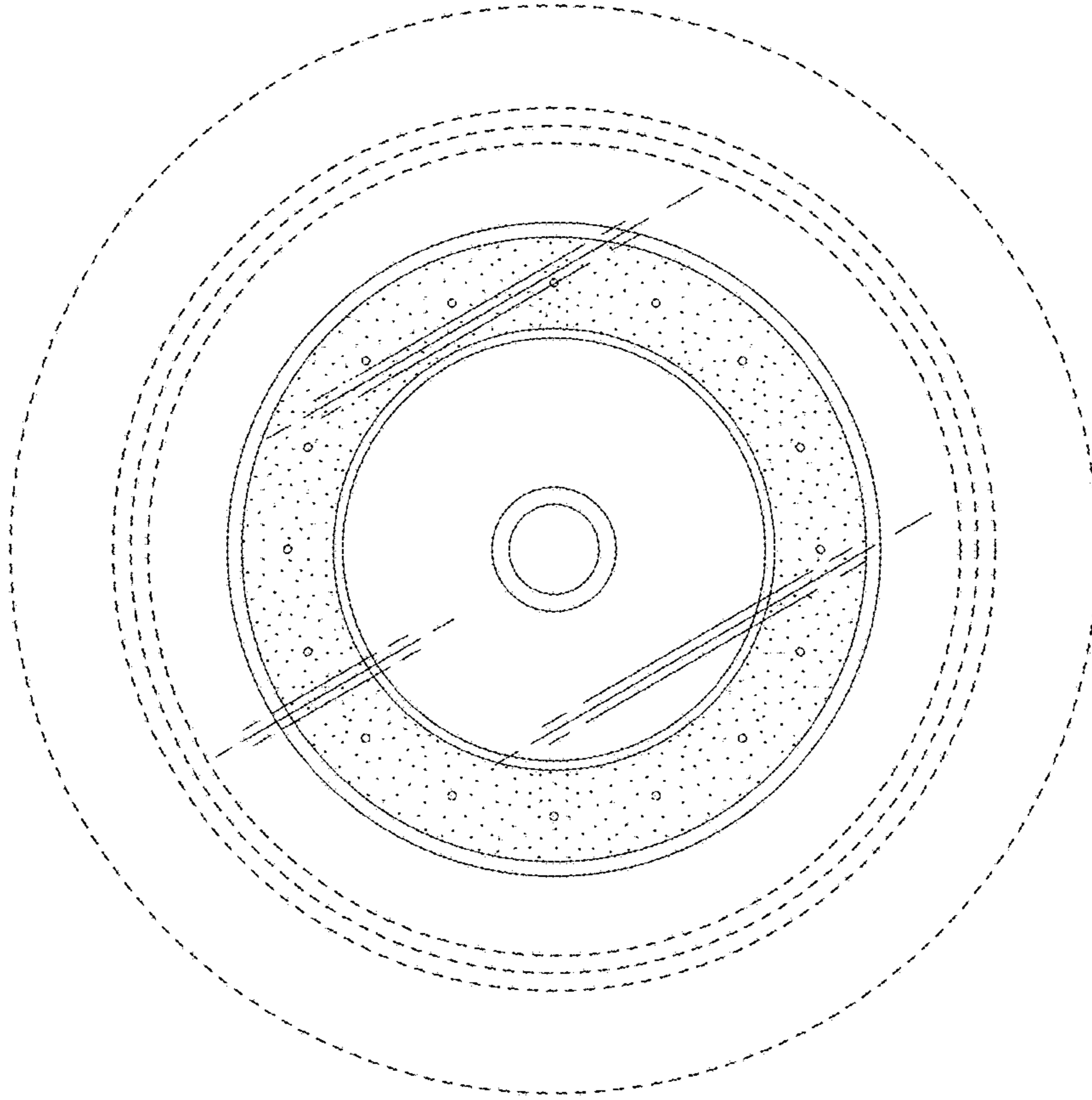


FIG. 3

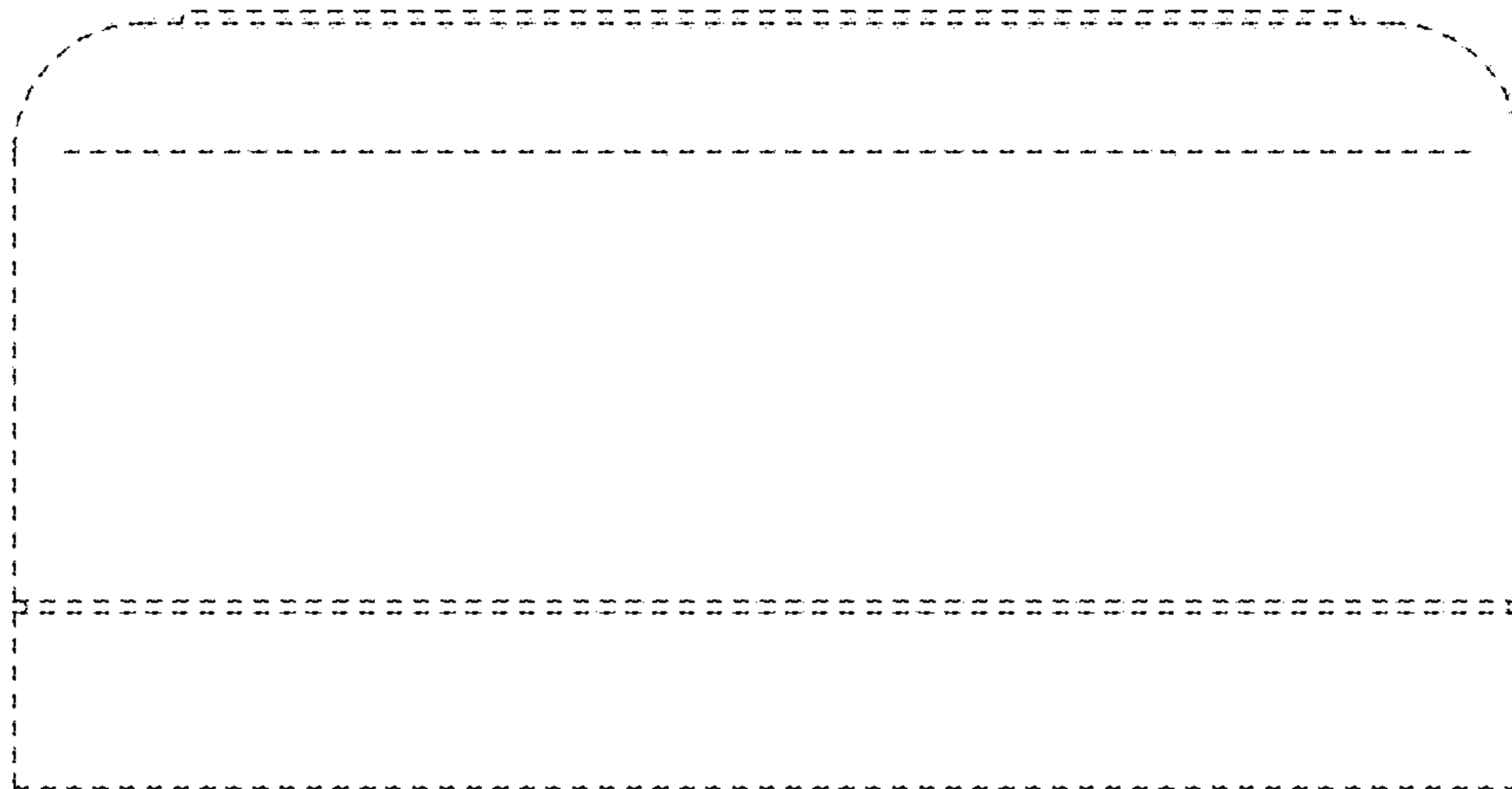


FIG. 4

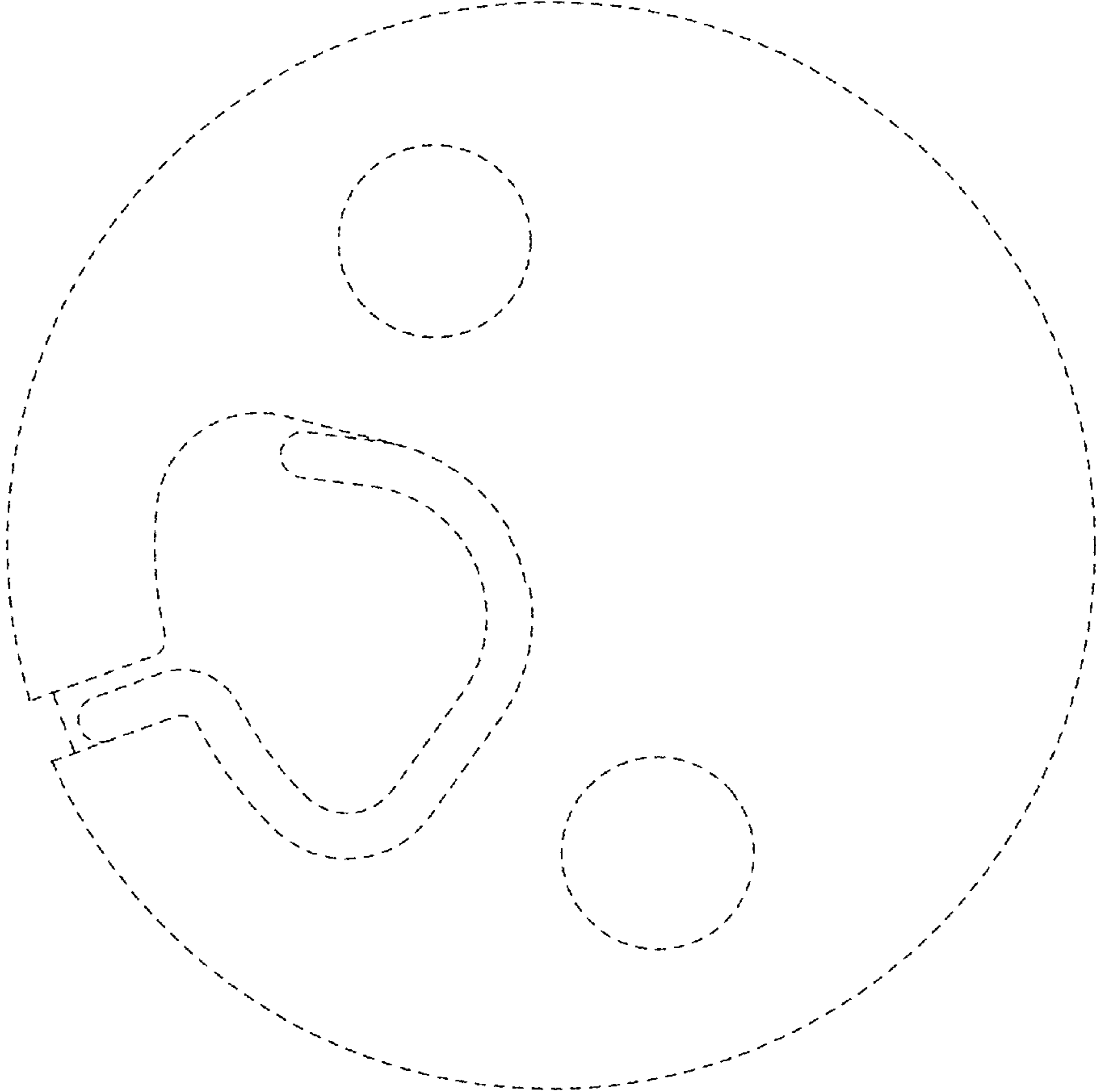


FIG. 5

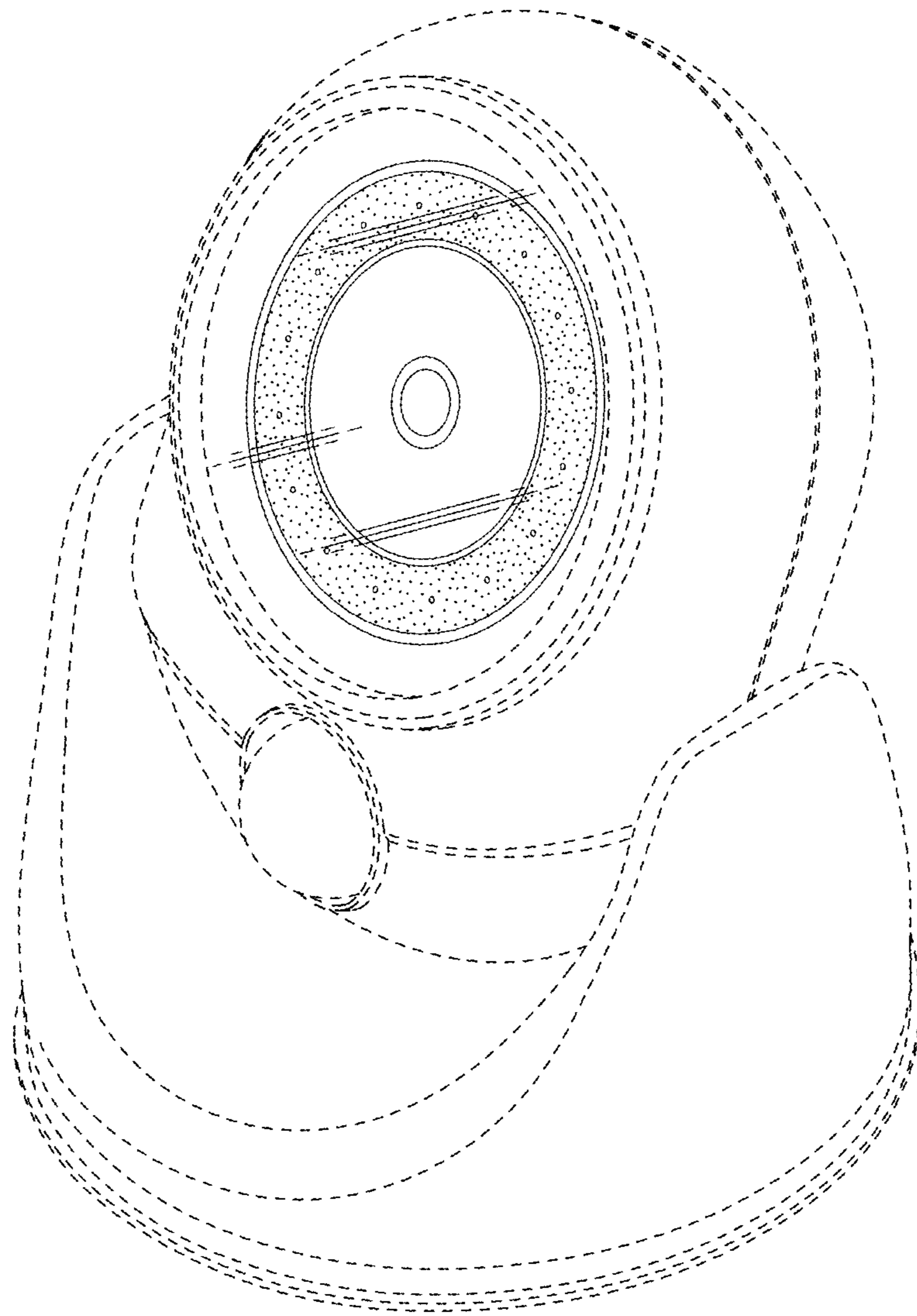


FIG. 6

