



US00D867620S

(12) **United States Design Patent** (10) **Patent No.:** **US D867,620 S**
Pegg (45) **Date of Patent:** **** Nov. 19, 2019**

(54) **RETAINING WALL BLOCK**

(71) Applicant: **Western Interlock, Inc.**, Rickreall, OR (US)

(72) Inventor: **Wyatt Pegg**, Rickreall, OR (US)

(73) Assignee: **Western Interlock, Inc.**, Rickreall, OR (US)

(**) Term: **15 Years**

(21) Appl. No.: **29/621,175**

(22) Filed: **Oct. 5, 2017**

(51) **LOC (12) Cl.** **25-01**

(52) **U.S. Cl.**
USPC **D25/114**

(58) **Field of Classification Search**
USPC D21/484-486, 499-505; D25/102, D25/113-118, 199

(Continued)

(56) **References Cited**

U.S. PATENT DOCUMENTS

5,294,216 A * 3/1994 Sievert B28B 7/0097 405/262

5,622,456 A 4/1997 Risi et al.
(Continued)

FOREIGN PATENT DOCUMENTS

AU 200027651 B2 11/2000
AU 200191446 B2 5/2002

(Continued)

OTHER PUBLICATIONS

Western Interlock Facebook <https://www.facebook.com/WesternInterlock/photos/a.750098355057905/2155585511175842/?type=3&theater> Posted Feb. 18, 2019 (Year: 2019).*

Primary Examiner — Leanne Was-Englehart

(74) *Attorney, Agent, or Firm* — McKee, Voorhees & Sease, PLC

(57) **CLAIM**

I claim the ornamental design for a retaining wall block, substantially as shown and described.

DESCRIPTION

FIGS. 1-7 illustrate a first configuration of the retaining wall block of the present invention.

FIGS. 8-14 show a second configuration of the retaining wall block according to the present invention.

More particularly, FIG. 1 is a perspective view of the first configuration of the retaining wall block, according to the present invention, with structure shown in broken lines not being a part of the claimed invention.

FIG. 2 is a front elevation view of the retaining wall block shown in FIG. 1, with structure shown in broken lines not being a part of the claimed invention.

FIG. 3 is a rear elevation view of the retaining wall block shown in FIG. 1.

FIG. 4 is a left end view of the retaining wall block shown in FIG. 1.

FIG. 5 is right end view of the retaining wall block shown in FIG. 1.

FIG. 6 is a top plan view of the retaining wall block shown in FIG. 1.

FIG. 7 is a bottom plan view of the retaining wall block shown in FIG. 1.

FIG. 8 is a perspective view of the second configuration of the retaining wall block, according to the present invention, with structure shown in broken lines not being a part of the claimed invention.

FIG. 9 is a front elevation view of the retaining wall block shown in FIG. 8, with structure shown in broken lines not being a part of the claimed invention.

FIG. 10 is a rear elevation view of the retaining wall block shown in FIG. 8.

FIG. 11 is a left end view of the retaining wall block shown in FIG. 8.

FIG. 12 is right end view of the retaining wall block shown in FIG. 8.

(Continued)

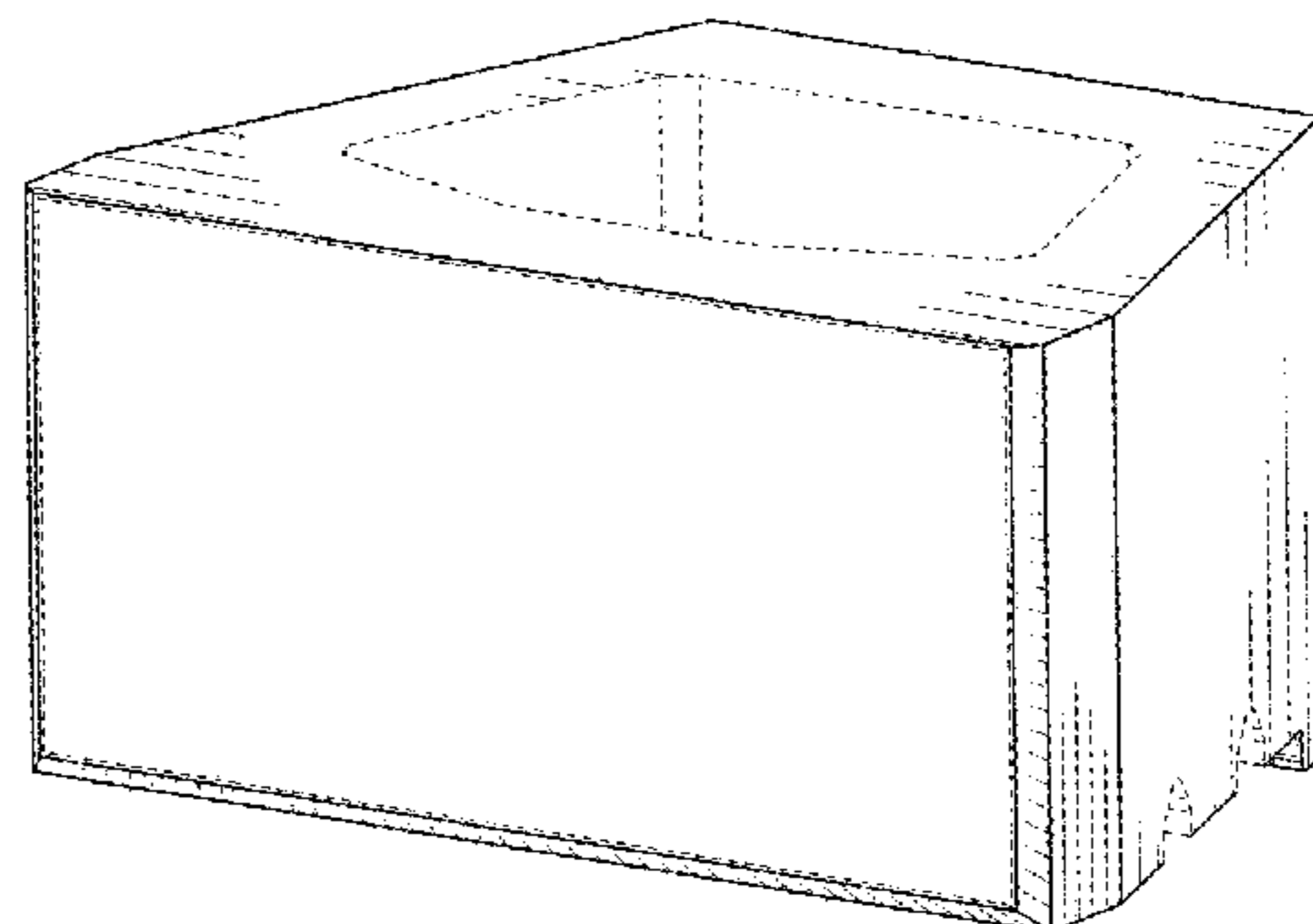
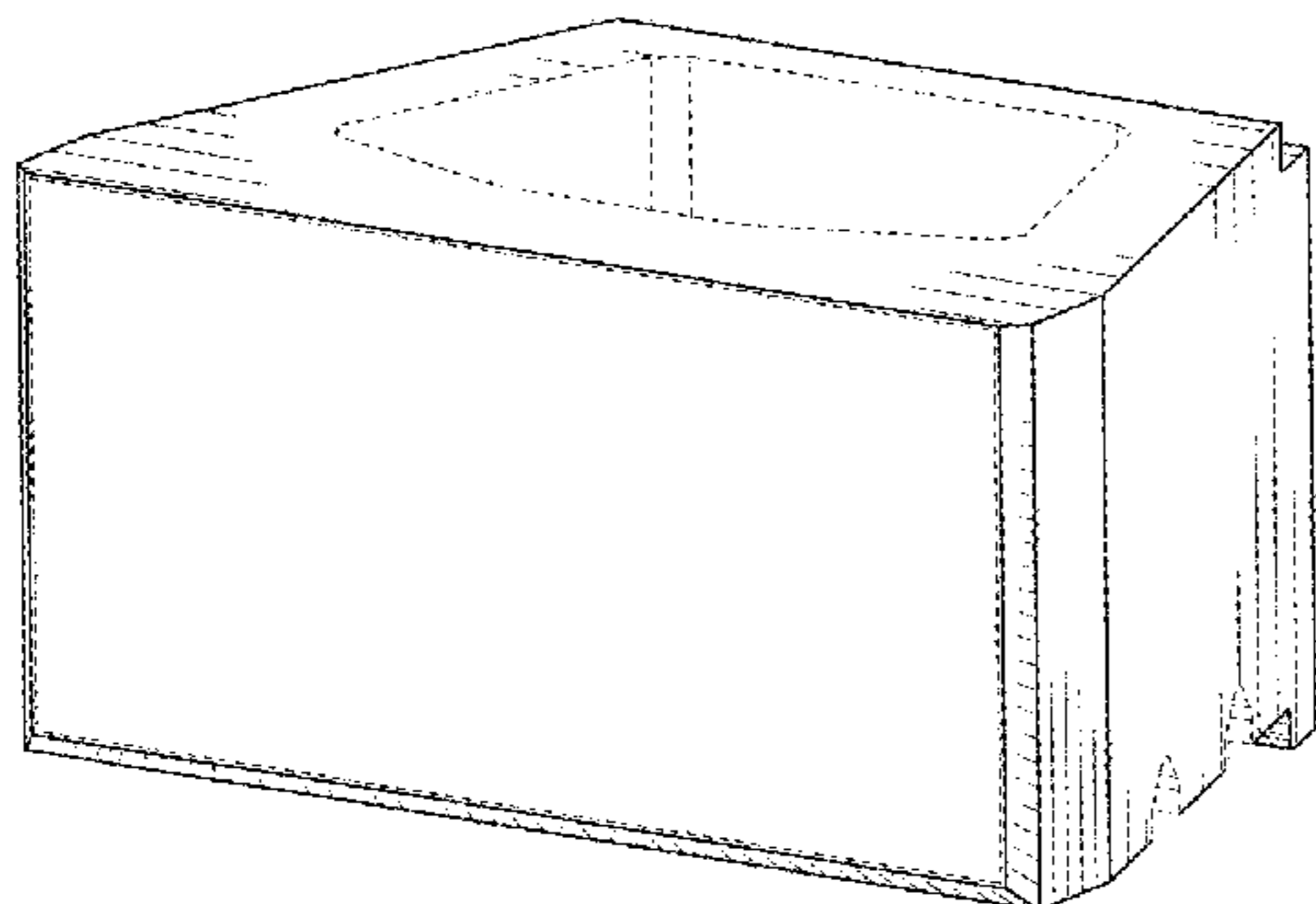


FIG. 13 is a top plan view of the retaining wall block shown in FIG. 8; and,
 FIG. 14 is a bottom plan view of the retaining wall block shown in FIG. 8.

1 Claim, 8 Drawing Sheets

(58) Field of Classification Search

CPC ... E02D 29/02; E02D 29/025; E02D 29/0225;
 E02D 29/0241; E04B 2/00; B28B 7/162
 See application file for complete search history.

(56) References Cited

U.S. PATENT DOCUMENTS

5,707,184	A *	1/1998	Anderson	B29C 49/2408	
						405/262
D397,451	S *	8/1998	Stevenson	D25/115	
5,941,042	A *	8/1999	Dueck	E04C 1/395	
						405/286
6,168,354	B1 *	1/2001	Martin	E02D 29/025	
						405/284
6,178,715	B1	1/2001	Pacitto et al.			
6,398,458	B1	6/2002	Pacitto et al.			
D467,009	S *	12/2002	Agee	D25/113	
6,701,687	B1 *	3/2004	Shillingburg	E02D 29/0241	
						405/284

6,829,867	B2	12/2004	Gresser et al.			
6,871,468	B2 *	3/2005	Whitson	E02D 29/025	
						52/169.4
7,360,970	B2	4/2008	Woolford et al.			
7,963,727	B1	6/2011	Wauhop			
D689,203	S *	9/2013	MacDonald	D25/114	
D689,204	S *	9/2013	MacDonald	D25/114	
8,684,633	B2	4/2014	Rainey			
D708,765	S *	7/2014	MacDonald	D25/113	
8,882,398	B2	11/2014	Bender et al.			
D768,876	S *	10/2016	Lindberg	D25/113	
2006/0051166	A1	3/2006	Lee			
2007/0036616	A1 *	2/2007	Knudson	E02D 29/0241	
						405/284
2011/0217127	A1 *	9/2011	MacDonald	E02D 29/025	
						405/284
2012/0057939	A1 *	3/2012	Bone	E02D 29/0225	
						405/284
2015/0197912	A1	7/2015	Parsons			
2016/0369472	A1	12/2016	Ianello et al.			

FOREIGN PATENT DOCUMENTS

AU	2003241633	A1	9/2003
AU	2006249237	A1	6/2007
CA	2700908		4/2009
CA	2854940		10/2016
CN	302352364	*	3/2013
EP	1600563	A3	11/2005
KR	20060026098	A	3/2006

* cited by examiner

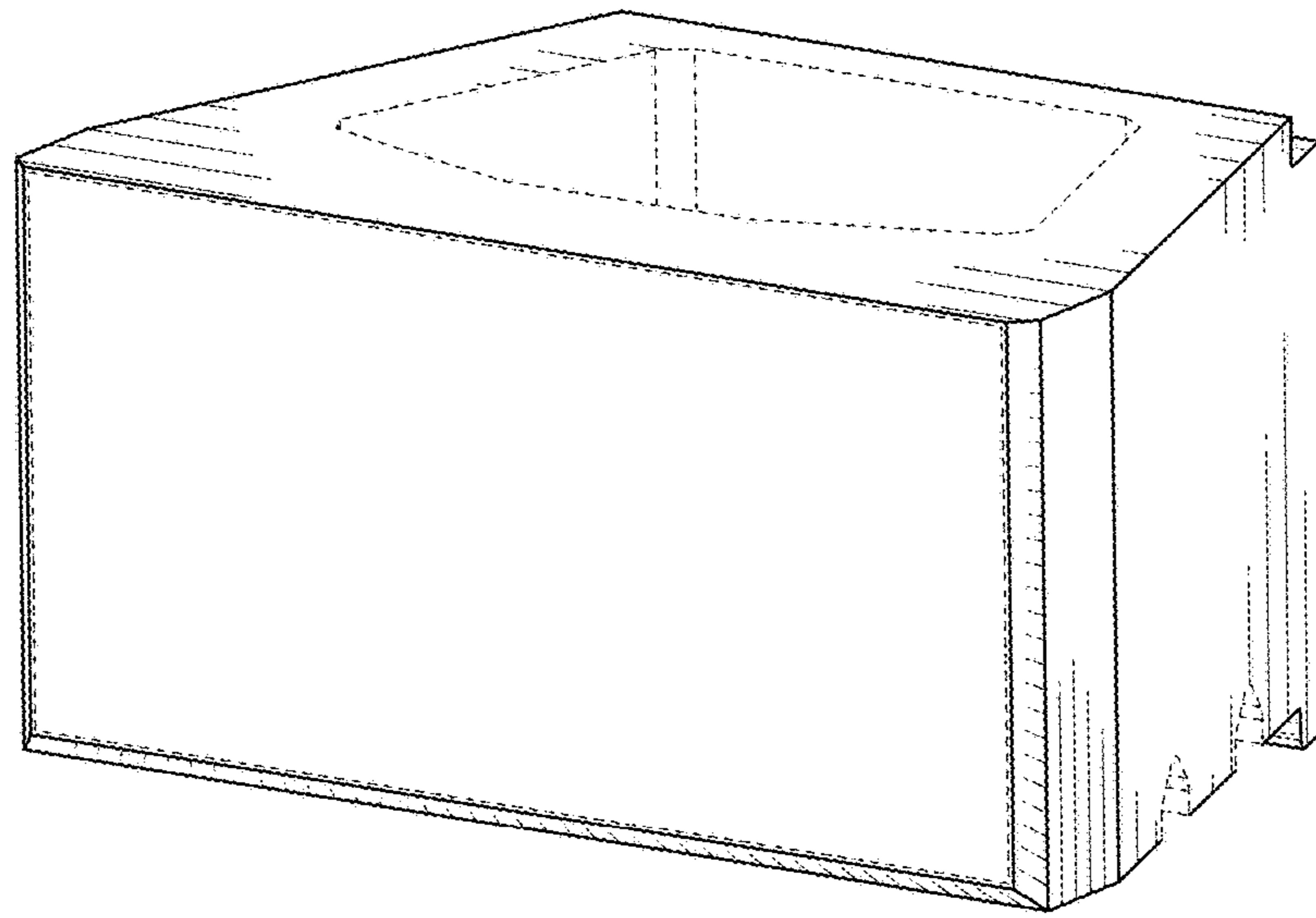


FIG. 1

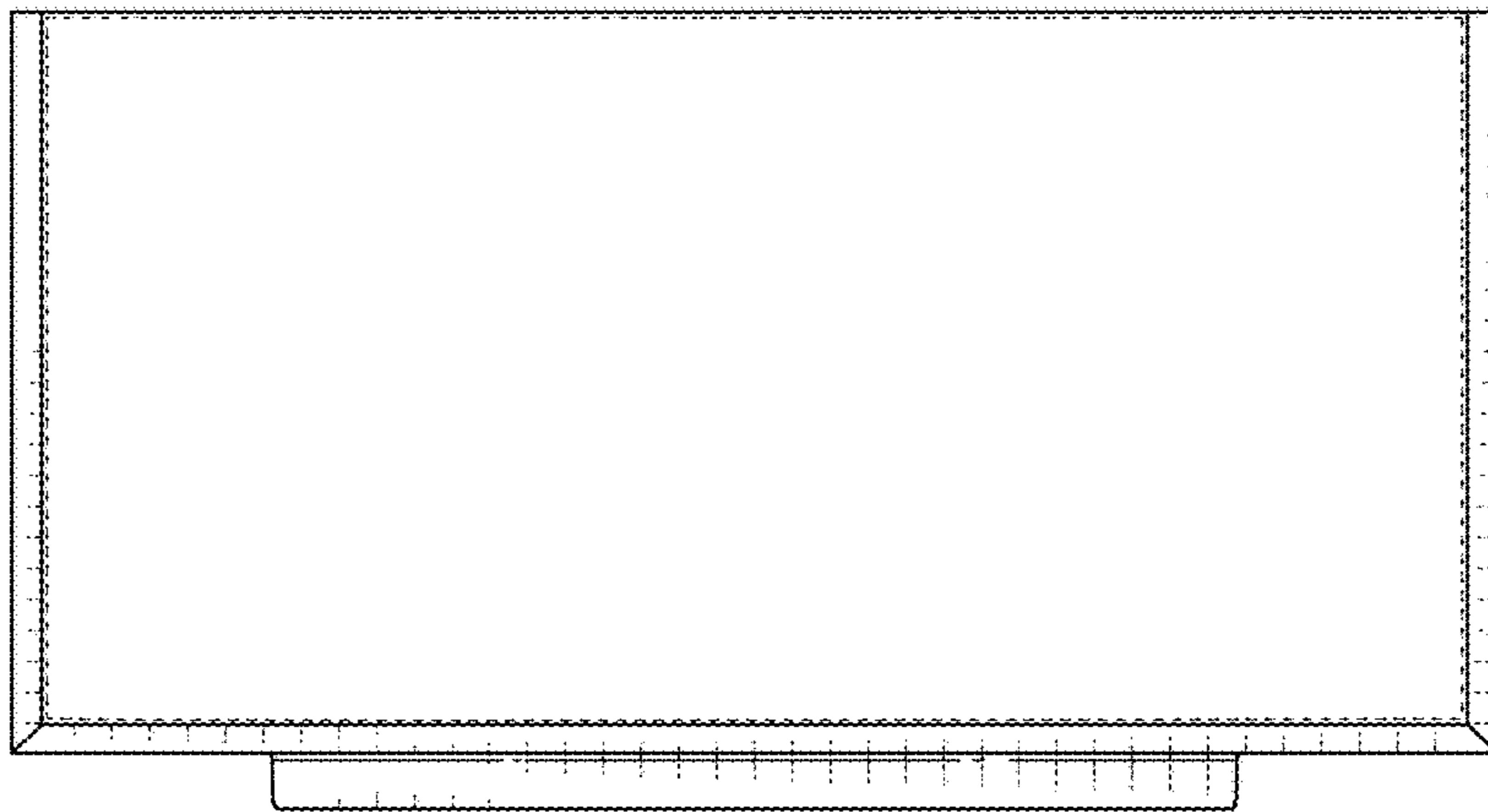


FIG. 2

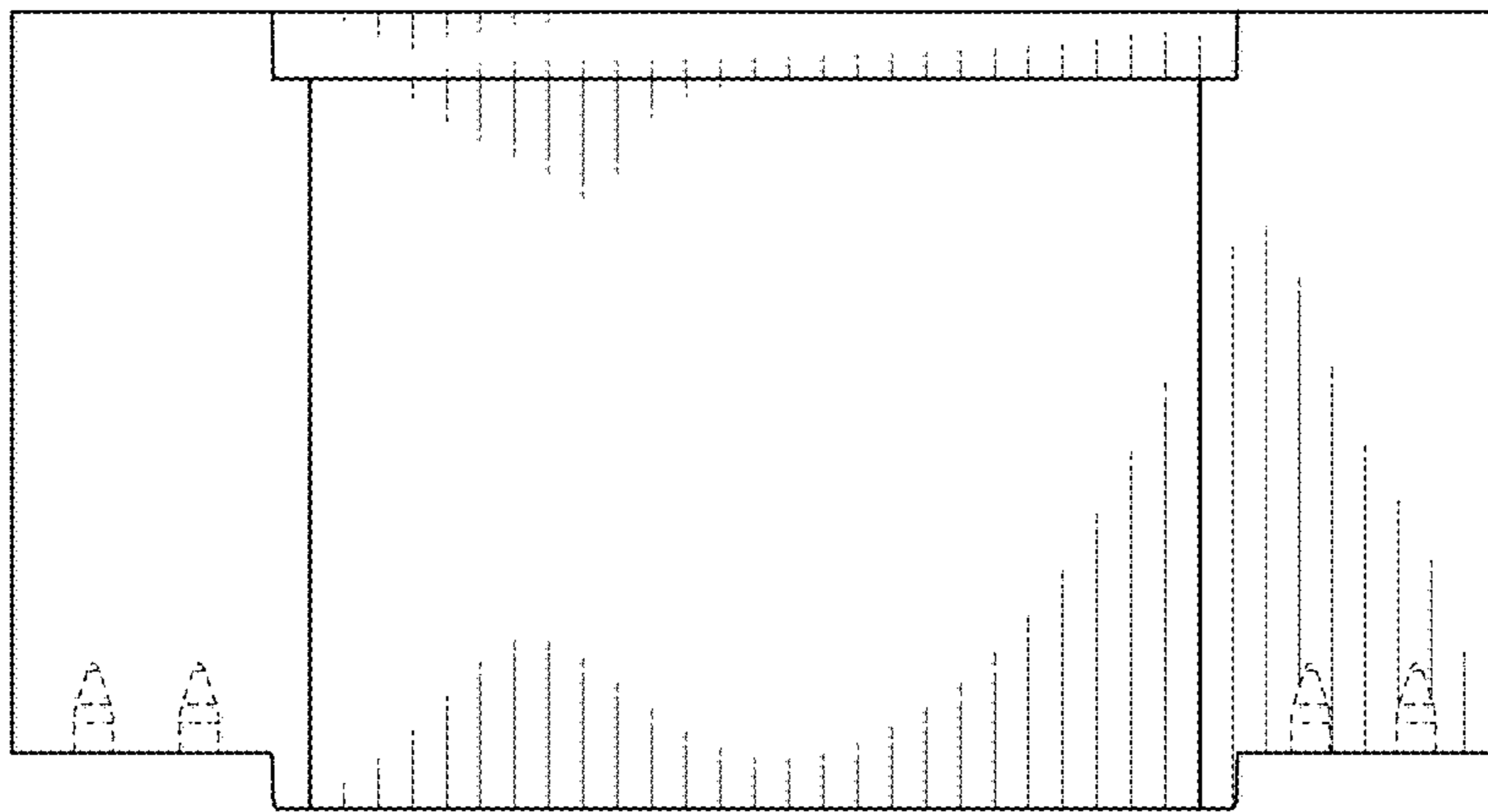


FIG. 3

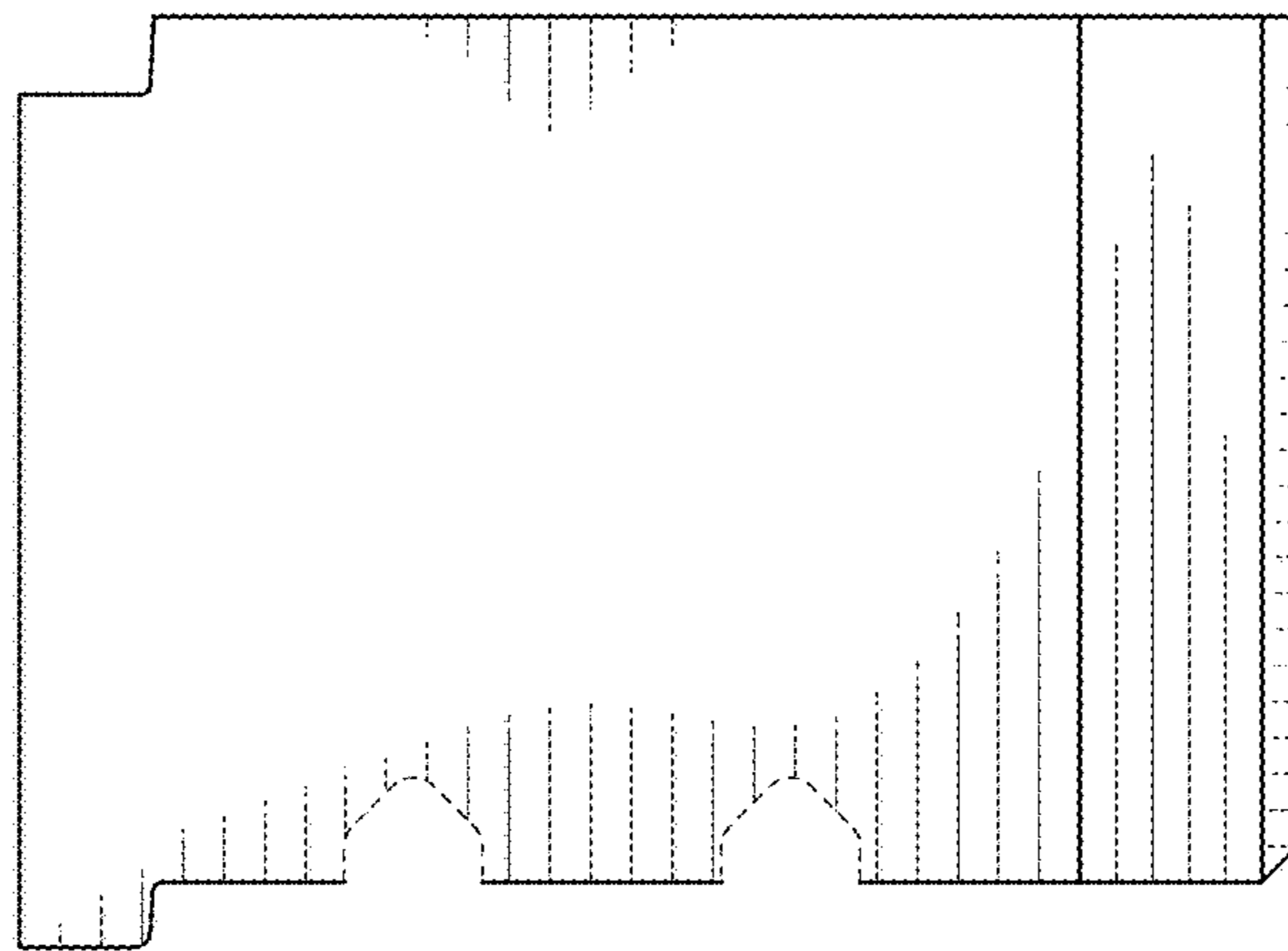


FIG. 4

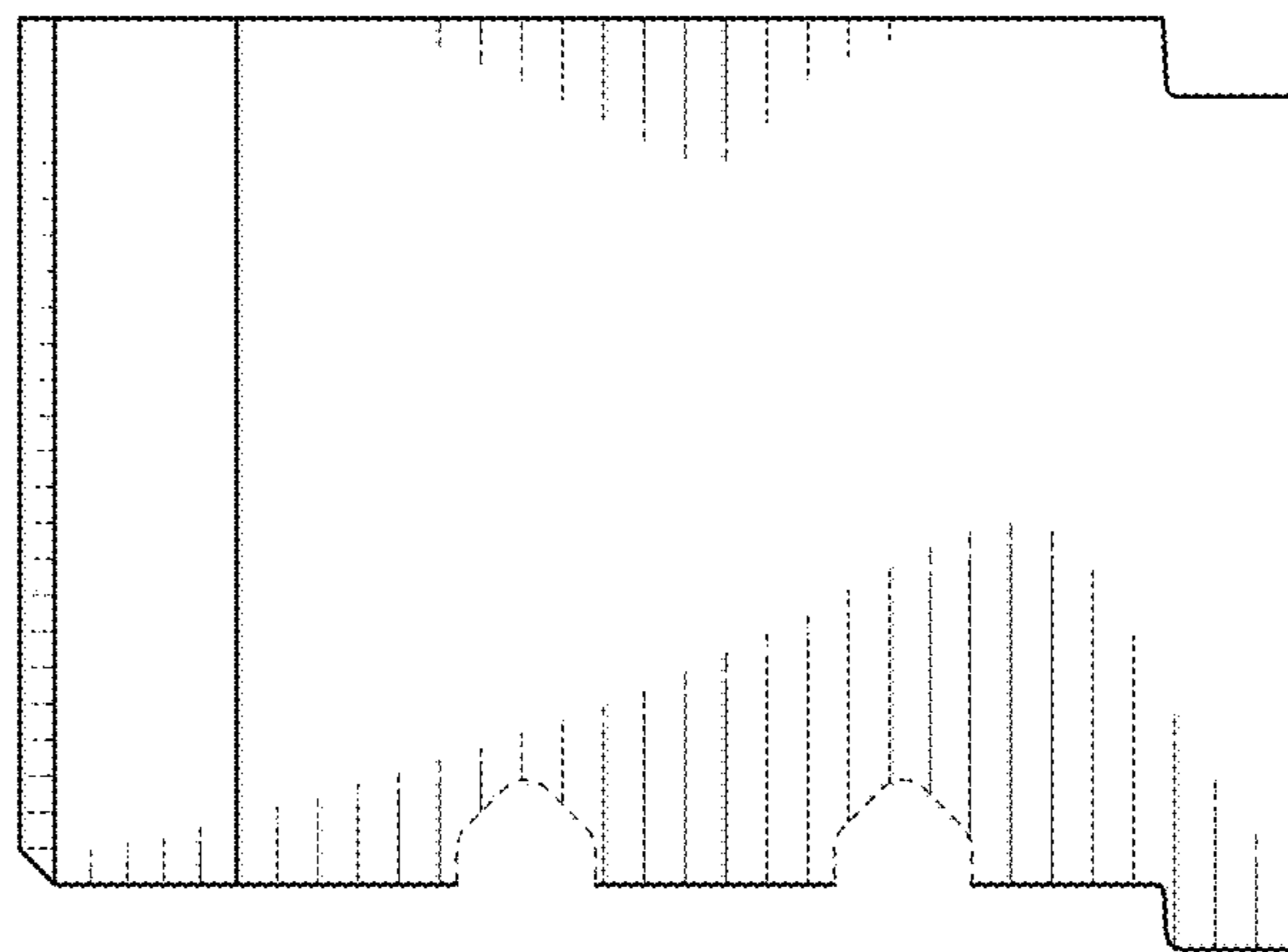


FIG. 5

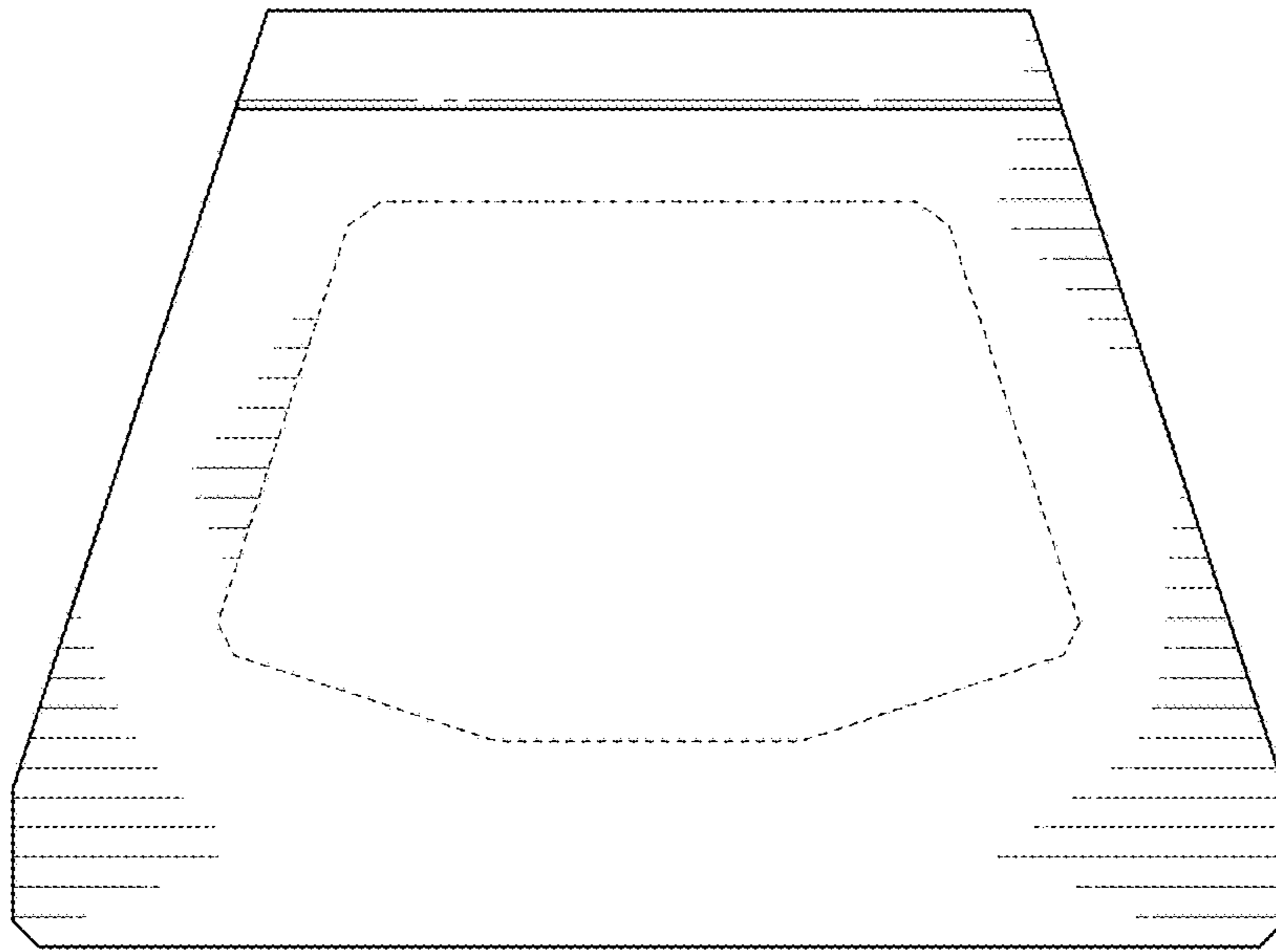


FIG. 6

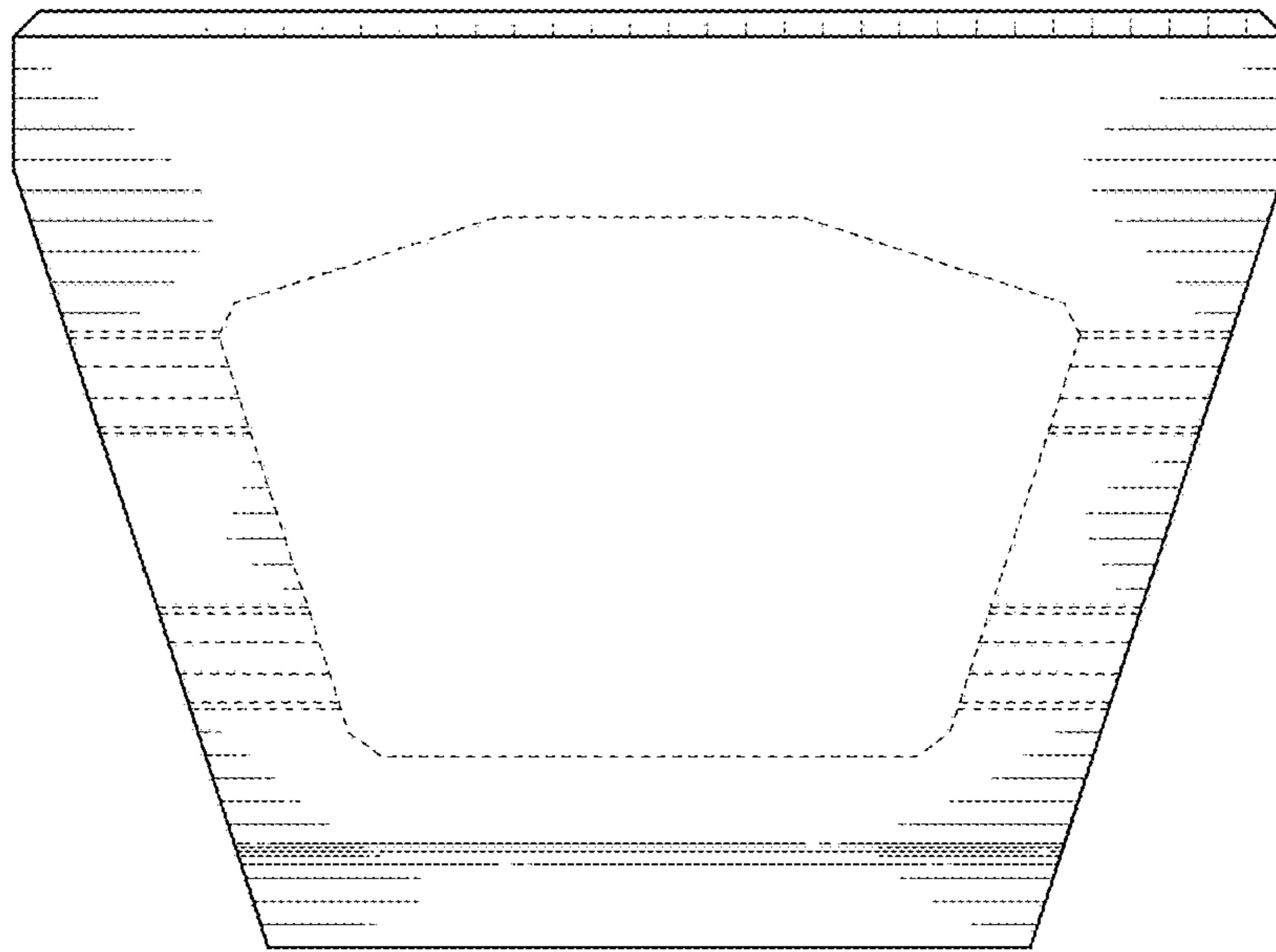


FIG. 7

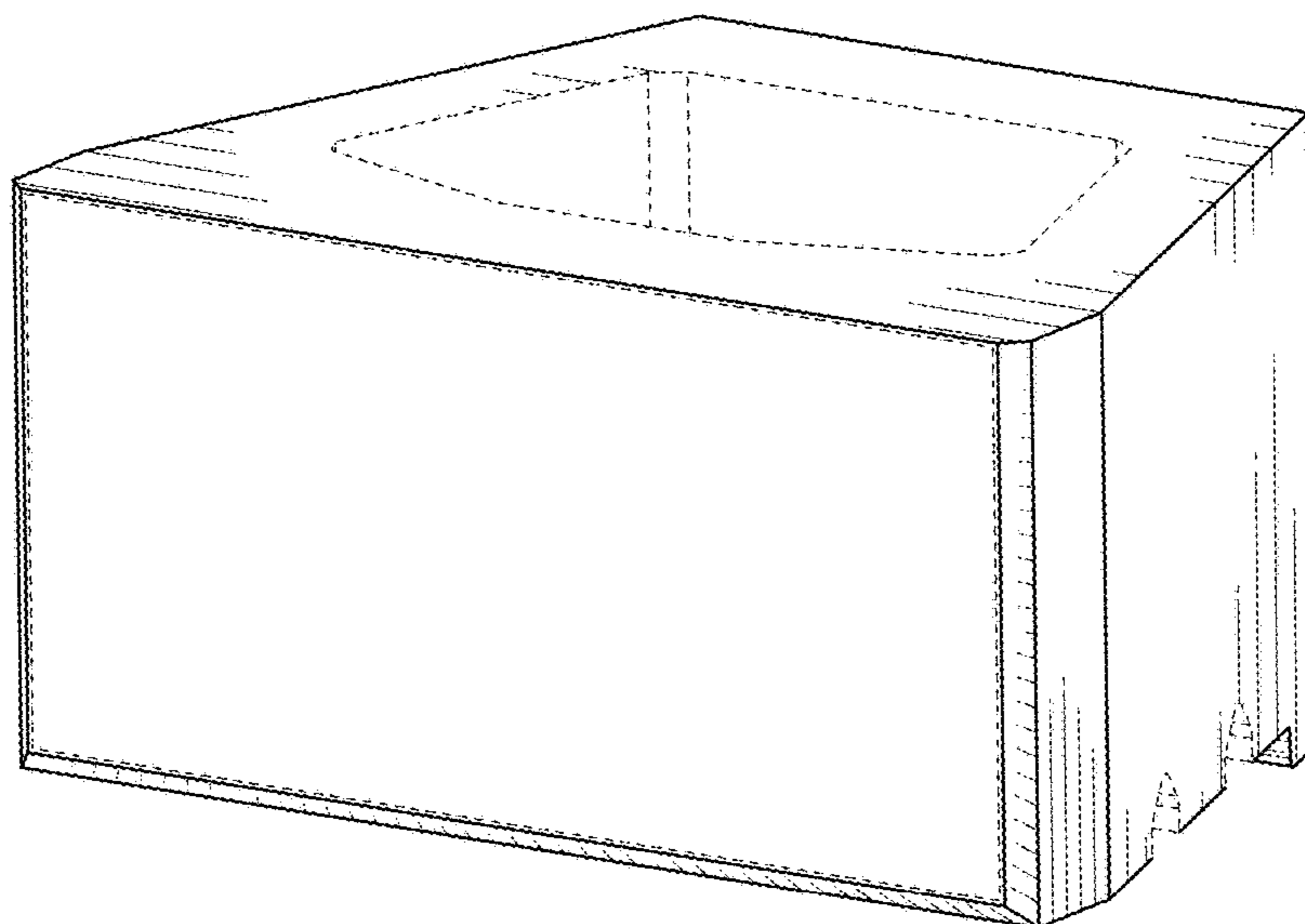


FIG. 8

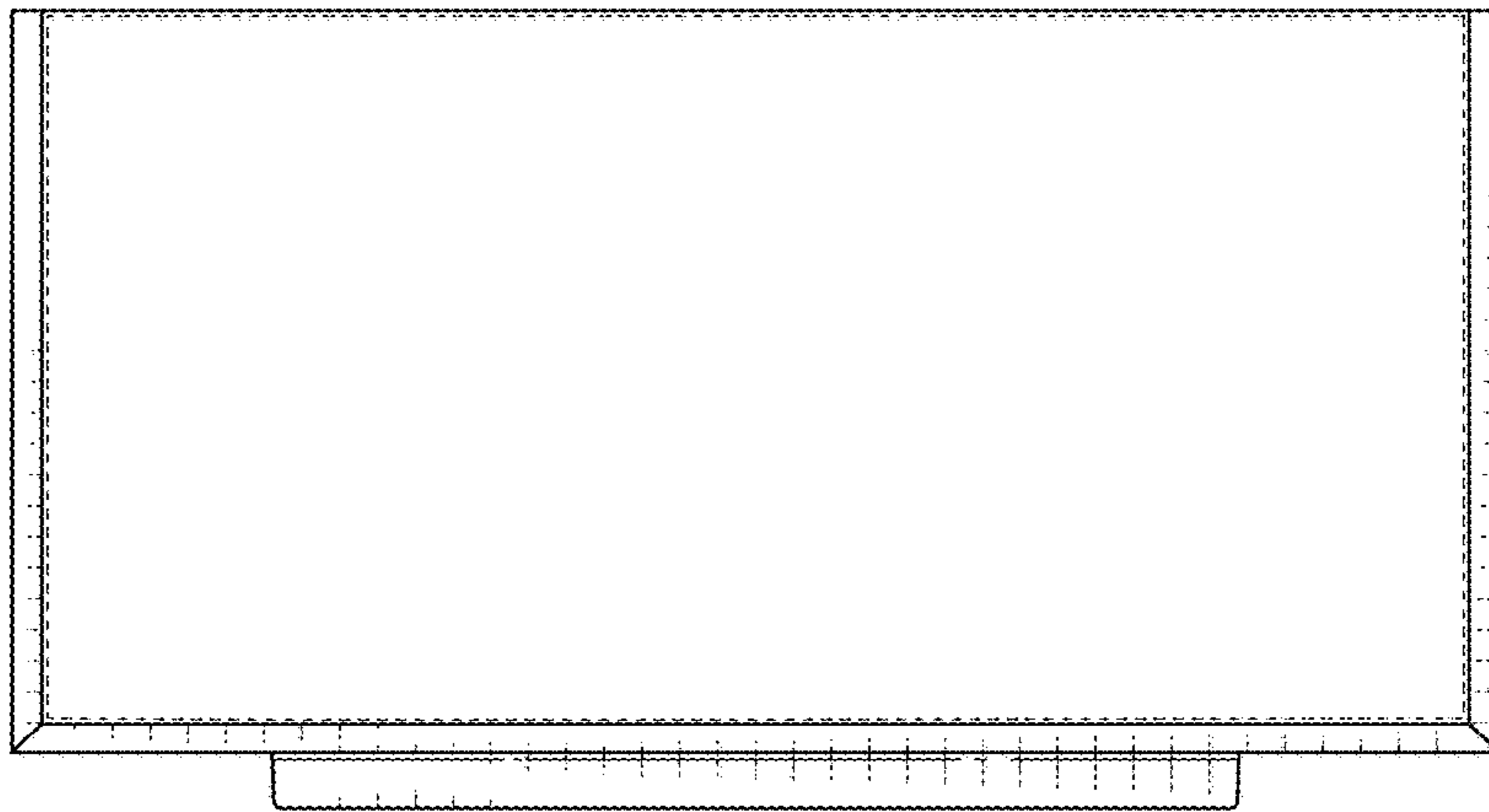


FIG. 9

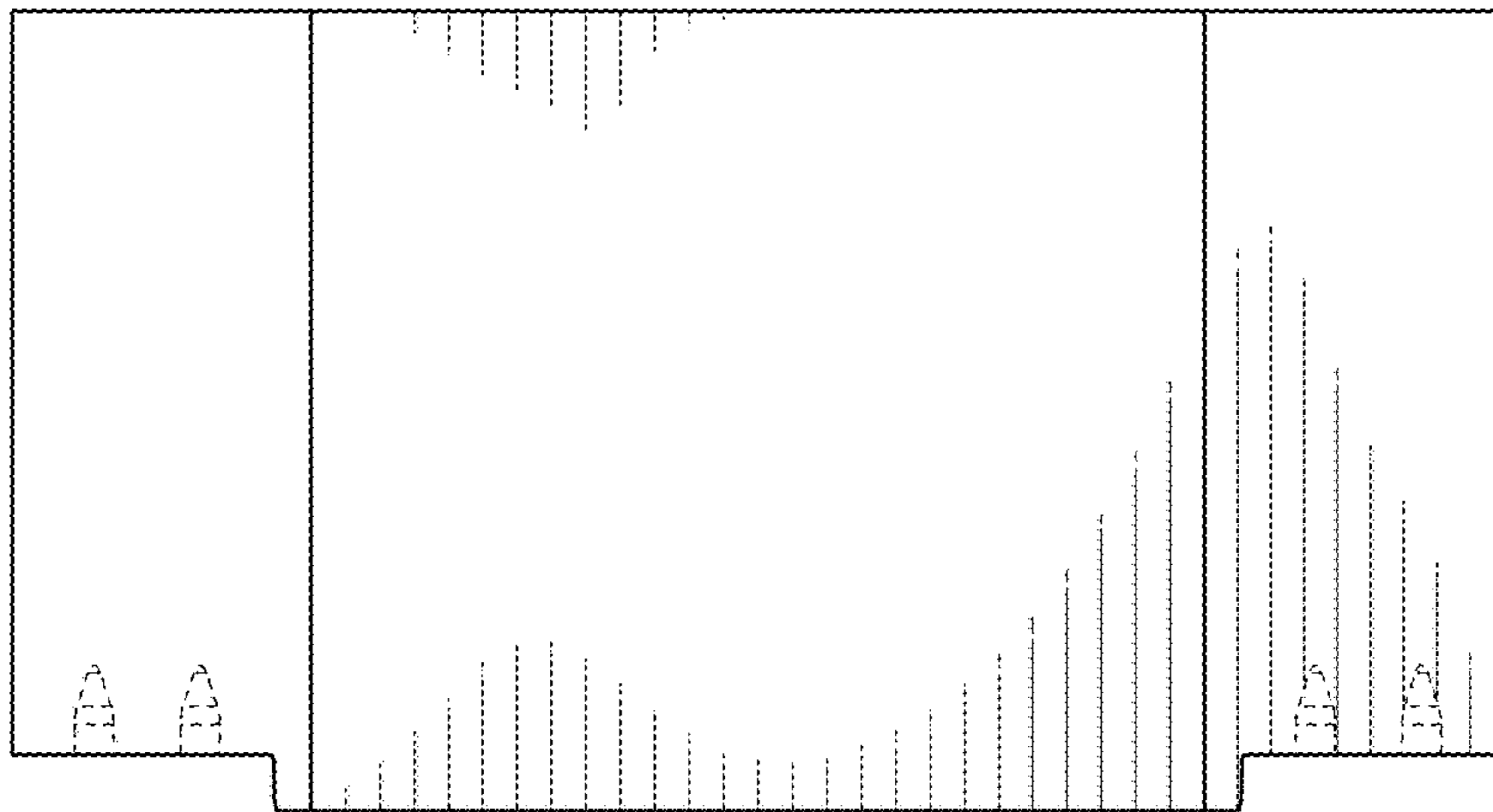


FIG. 10

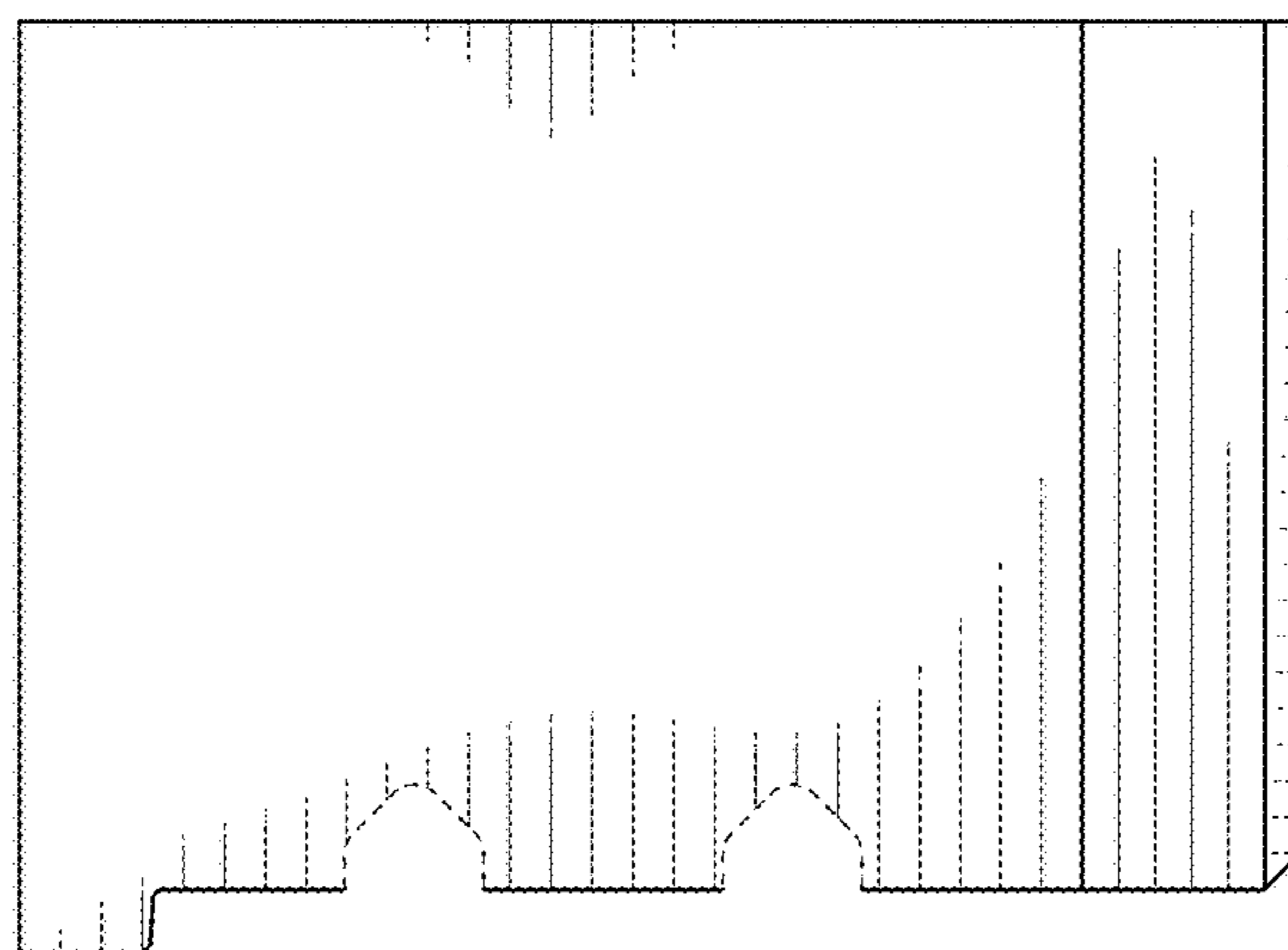


FIG. 11

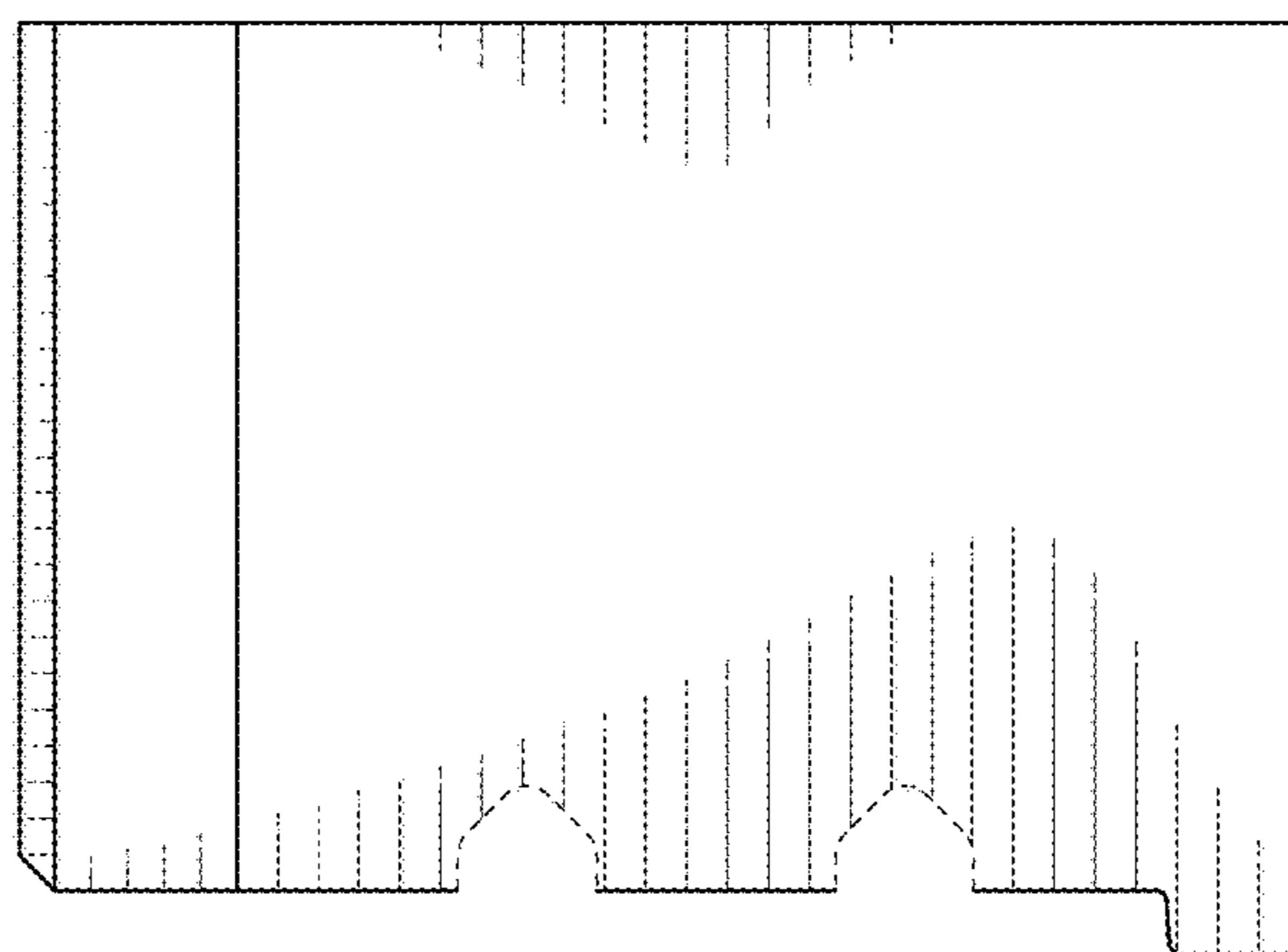


FIG. 12

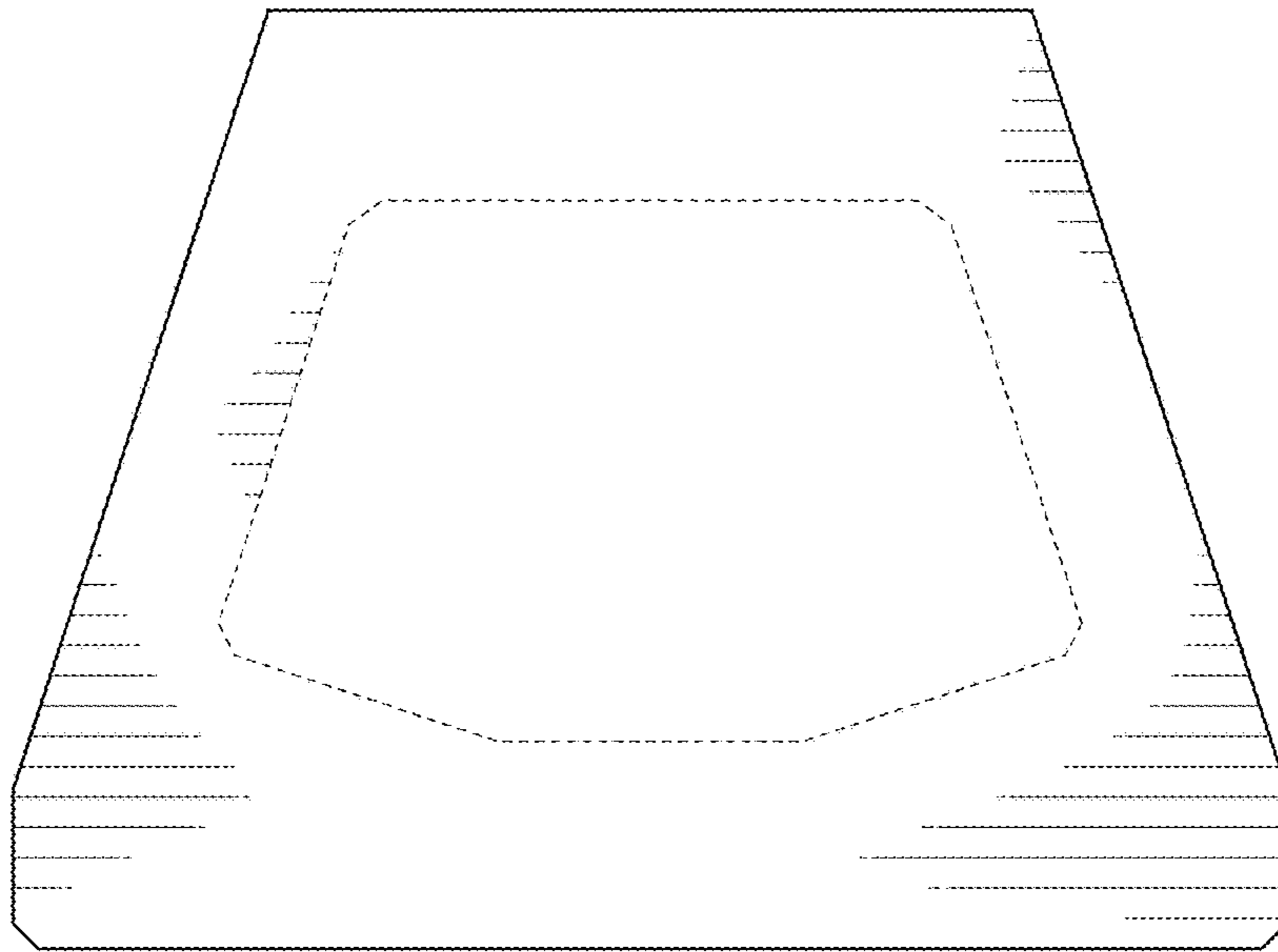


FIG. 13

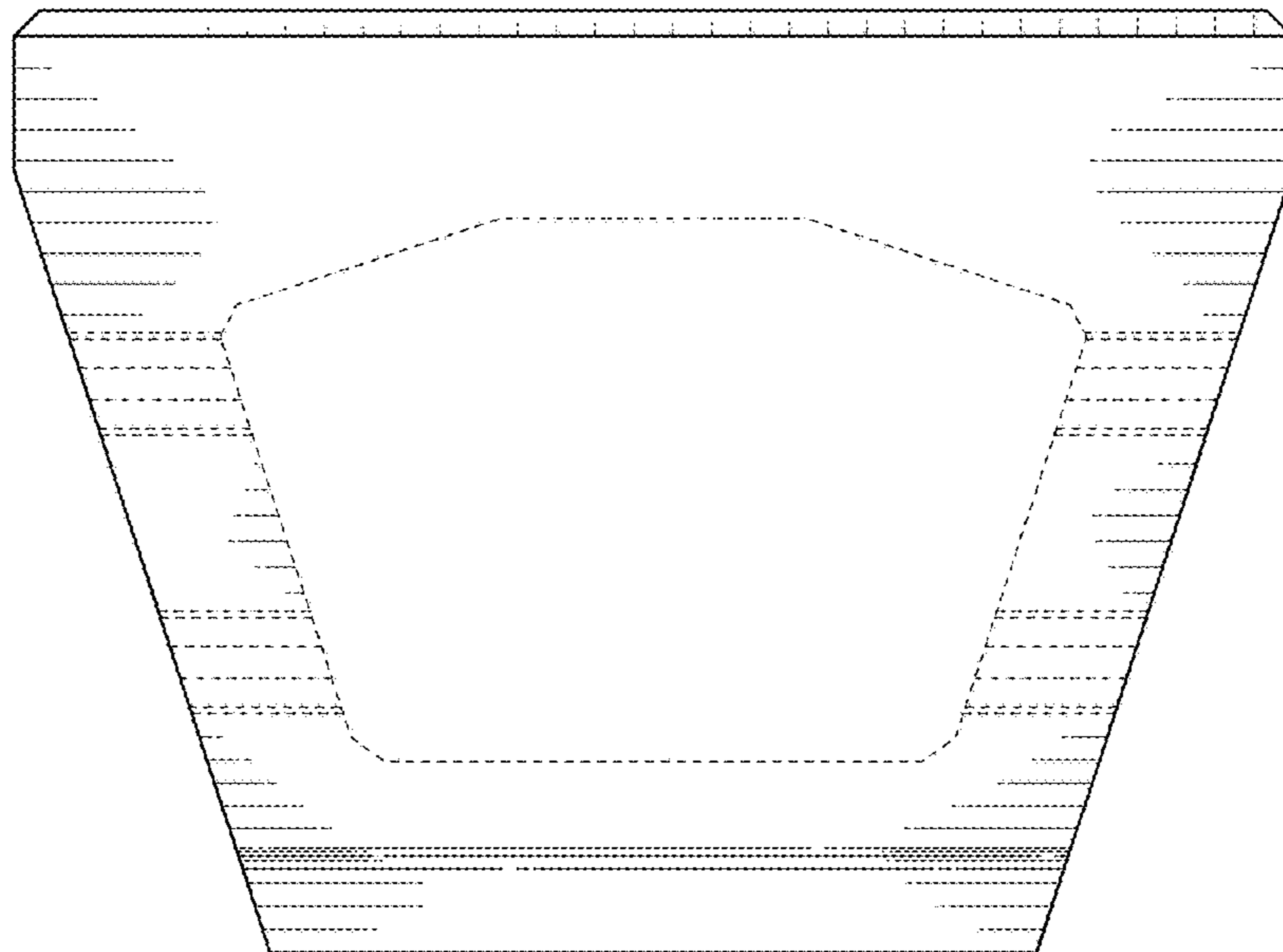


FIG. 14