



US00D867619S

(12) **United States Design Patent**  
**Galla**

(10) **Patent No.:** **US D867,619 S**

(45) **Date of Patent:** **\*\* Nov. 19, 2019**

(54) **GATE SAFETY BARRIER**

(71) Applicant: **Paul V. Galla**, Erie, PA (US)

(72) Inventor: **Paul V. Galla**, Erie, PA (US)

(\*\*) Term: **15 Years**

(21) Appl. No.: **29/612,865**

(22) Filed: **Aug. 4, 2017**

(51) **LOC (12) Cl.** ..... **25-02**

(52) **U.S. Cl.**  
USPC ..... **D25/48.5**

(58) **Field of Classification Search**  
USPC ..... D25/48.5  
CPC .. E01F 1/00; E01F 13/04; E01F 13/06; B65G  
69/008; B65G 69/2876; B65G 69/2888;  
B61L 29/224  
See application file for complete search history.

(56) **References Cited**

**U.S. PATENT DOCUMENTS**

- 216,315 A \* 6/1879 Dawson ..... A23L 29/30  
426/658
- 1,331,673 A \* 2/1920 Proctor ..... B61L 29/20  
246/292
- 1,347,198 A \* 7/1920 Winter ..... B66B 13/26  
49/26
- 1,545,053 A \* 7/1925 Kelly ..... B61L 29/04  
49/361
- 1,698,424 A \* 1/1929 Banschbach ..... B61L 29/224  
49/360
- 3,839,824 A \* 10/1974 Ellis ..... E01F 13/04  
242/378
- 4,811,516 A \* 3/1989 Anderson ..... E01F 13/06  
49/141
- 4,920,598 A \* 5/1990 Hahn ..... B65G 69/2888  
14/71.1
- 5,118,056 A \* 6/1992 Jeanise ..... E01F 13/048  
246/111

- 5,299,386 A \* 4/1994 Naegelli ..... E01F 13/06  
49/27
- 5,459,963 A \* 10/1995 Alexander ..... E01F 1/00  
49/34
- 5,564,238 A \* 10/1996 Ellis ..... B65G 69/008  
49/447

(Continued)

**FOREIGN PATENT DOCUMENTS**

- EM 002114785-0001 \* 10/2012
- JP D1281621 \* 9/2006
- KR 300693506.0000 \* 5/2013

**OTHER PUBLICATIONS**

<https://www.usnetting.com/static/pdf/capstatement2017usnetting.pdf> last modified Mar. 14, 2017 (Year: 2017).\*  
(Continued)

*Primary Examiner* — Leanne Was-Englehart  
(74) *Attorney, Agent, or Firm* — Jonathan M. D'Silva;  
MMI Intellectual Property

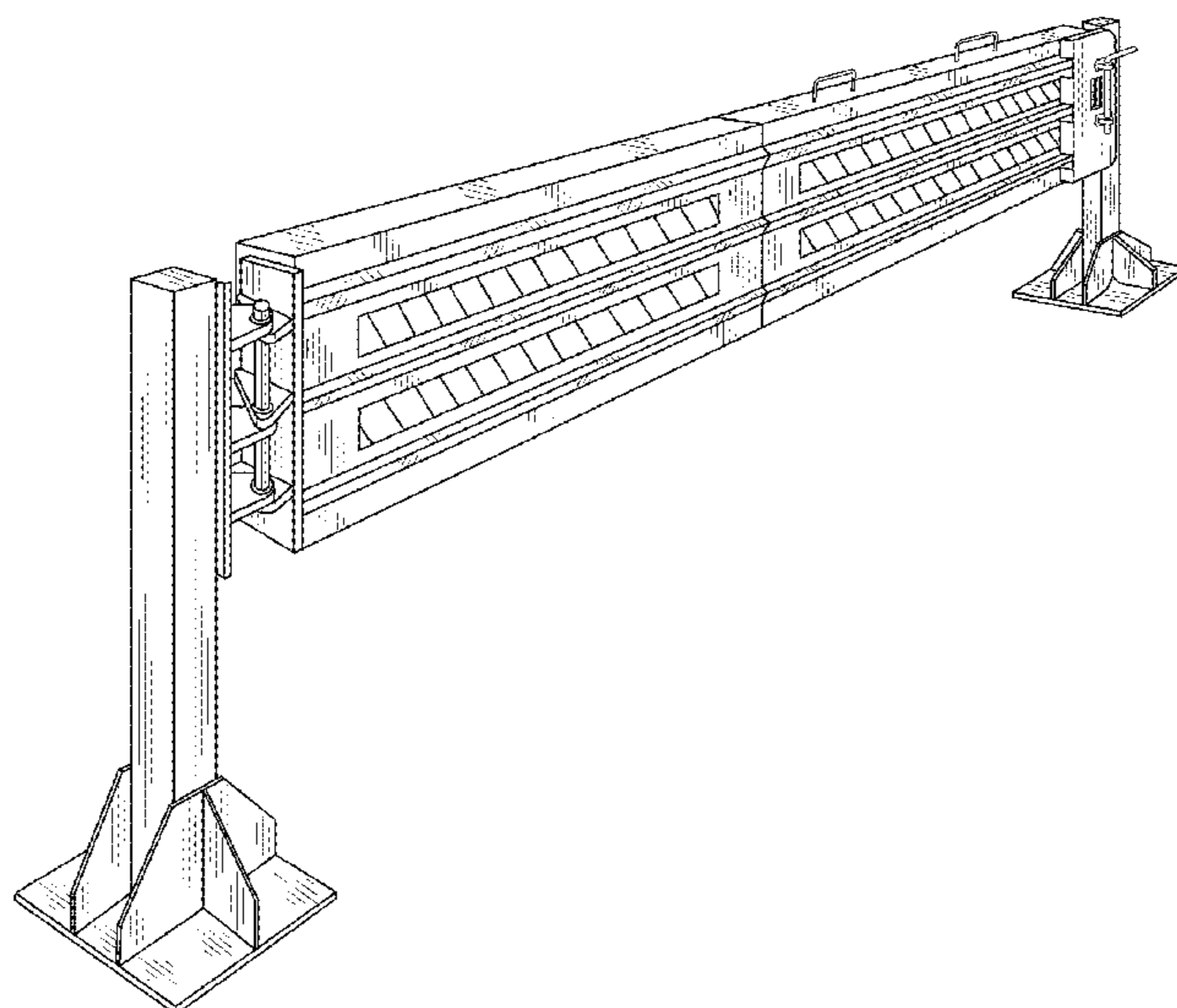
(57) **CLAIM**

What is claimed the ornamental design for a gate safety barrier, as shown and described.

**DESCRIPTION**

FIG. 1 is a perspective view of the gate safety barrier; FIG. 2 is a front view of the gate safety barrier of FIG. 1; FIG. 3 is a rear view of the gate safety barrier of FIG. 1; FIG. 4 is a left side view of the gate safety barrier of FIG. 1; FIG. 5 is a right side view of the gate safety barrier of FIG. 1; FIG. 6 is a top view of the gate safety barrier of FIG. 1; and, FIG. 7 is a bottom view of the gate safety barrier of FIG. 1. The broken lines in FIGS. 2 and 3 depict portions of the gate safety barrier that form no part of the claimed design.

**1 Claim, 4 Drawing Sheets**



(56)

**References Cited**

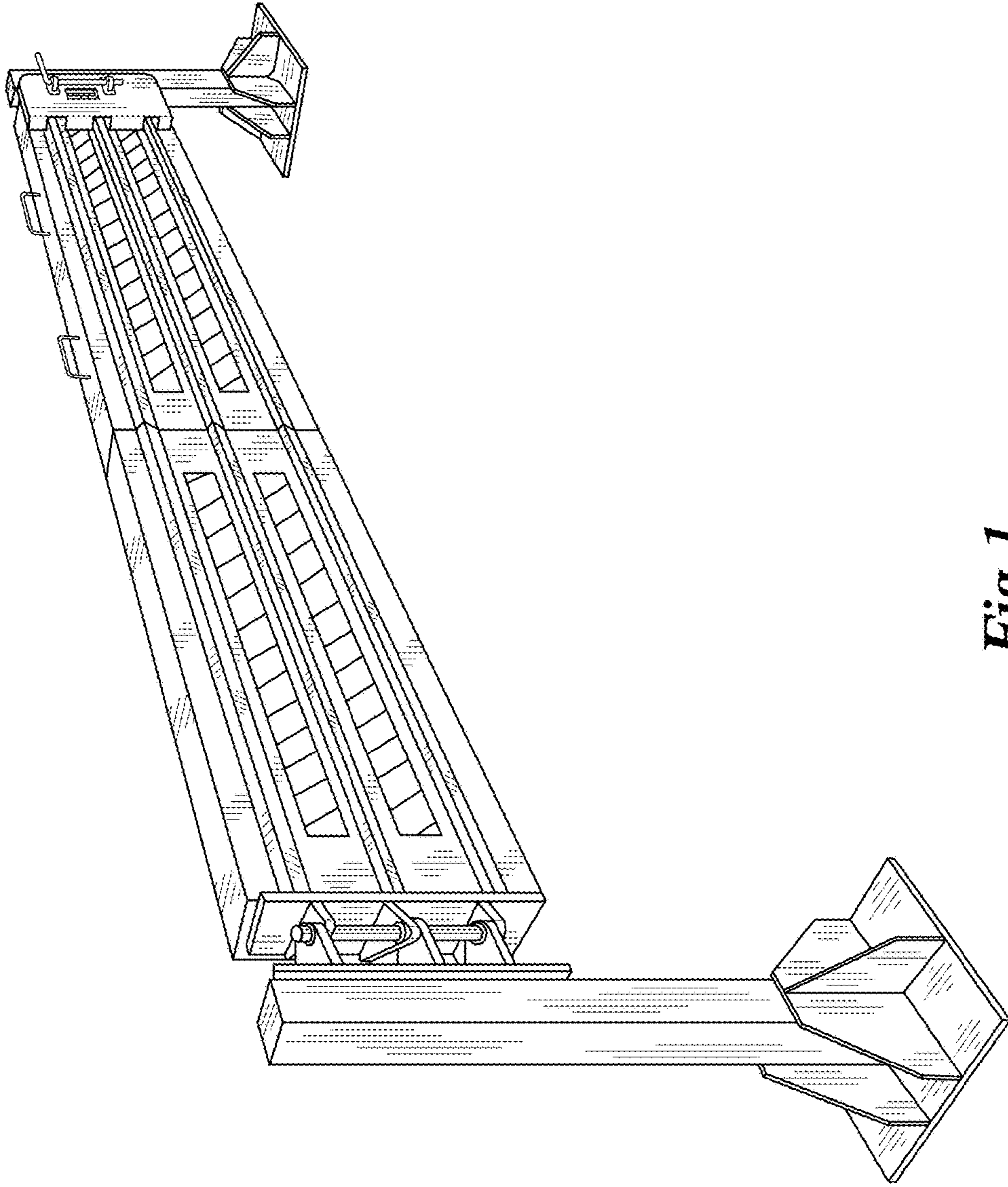
U.S. PATENT DOCUMENTS

5,649,396 A \* 7/1997 Carr ..... E01F 13/06  
49/34  
5,797,218 A \* 8/1998 Holland ..... E06B 9/04  
49/55  
7,207,370 B2 \* 4/2007 Snyder ..... E01F 13/028  
160/23.1  
2008/0000156 A1 \* 1/2008 Stoffels ..... E01F 13/06  
49/49  
2014/0161523 A1 \* 6/2014 Ball ..... E01F 13/06  
404/6

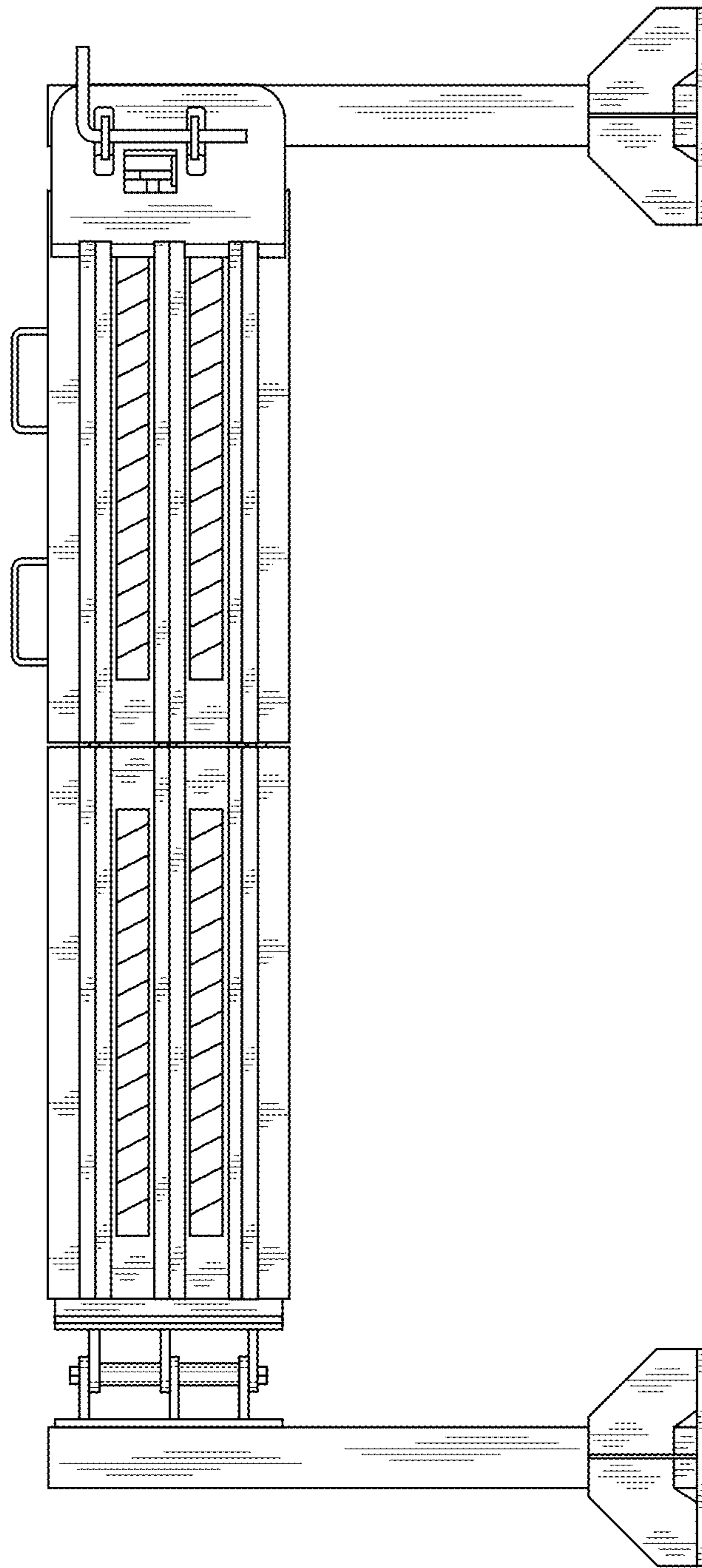
OTHER PUBLICATIONS

<https://cdn.thomasnet.com/ccp/30726168/252609.pdf> last modified  
Oct. 5, 2017 (Year: 2017).\*

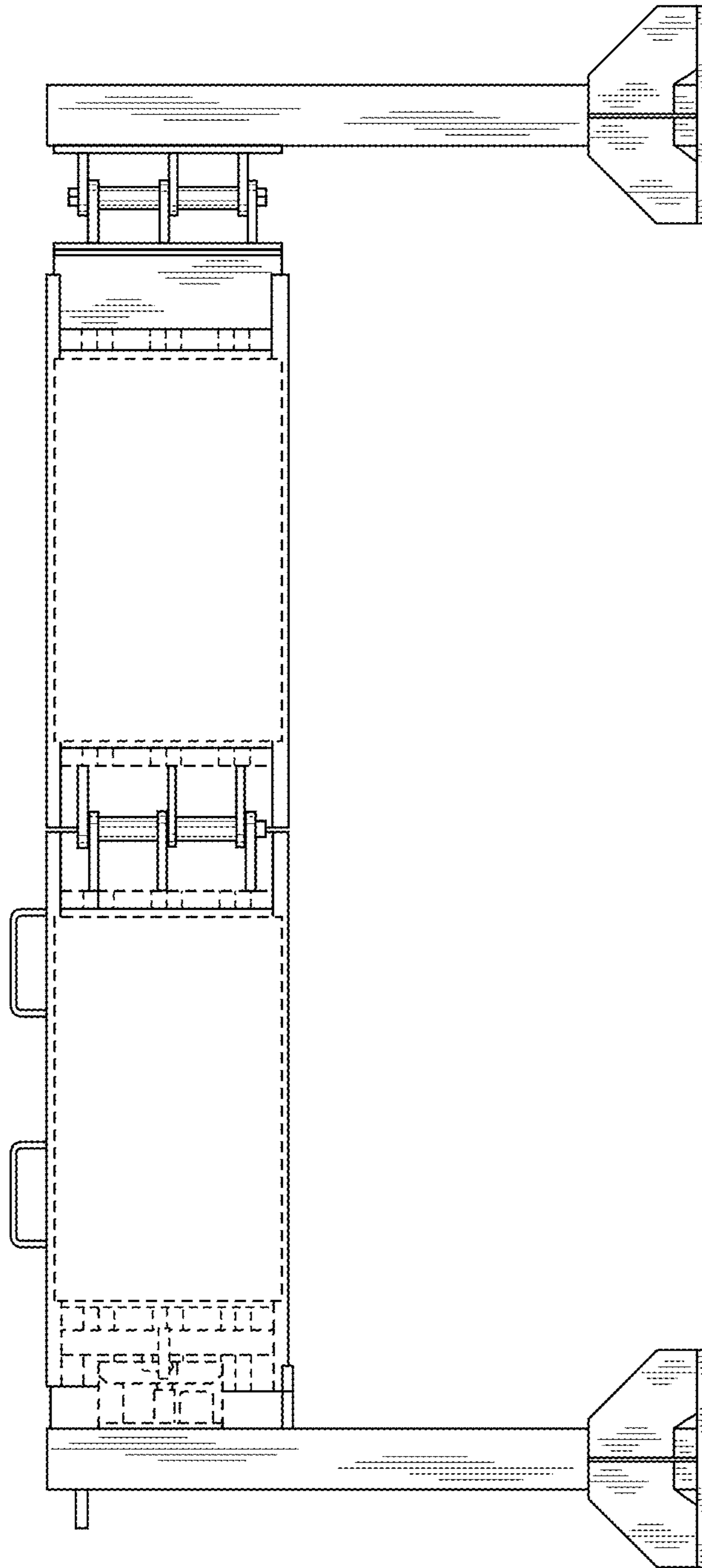
\* cited by examiner



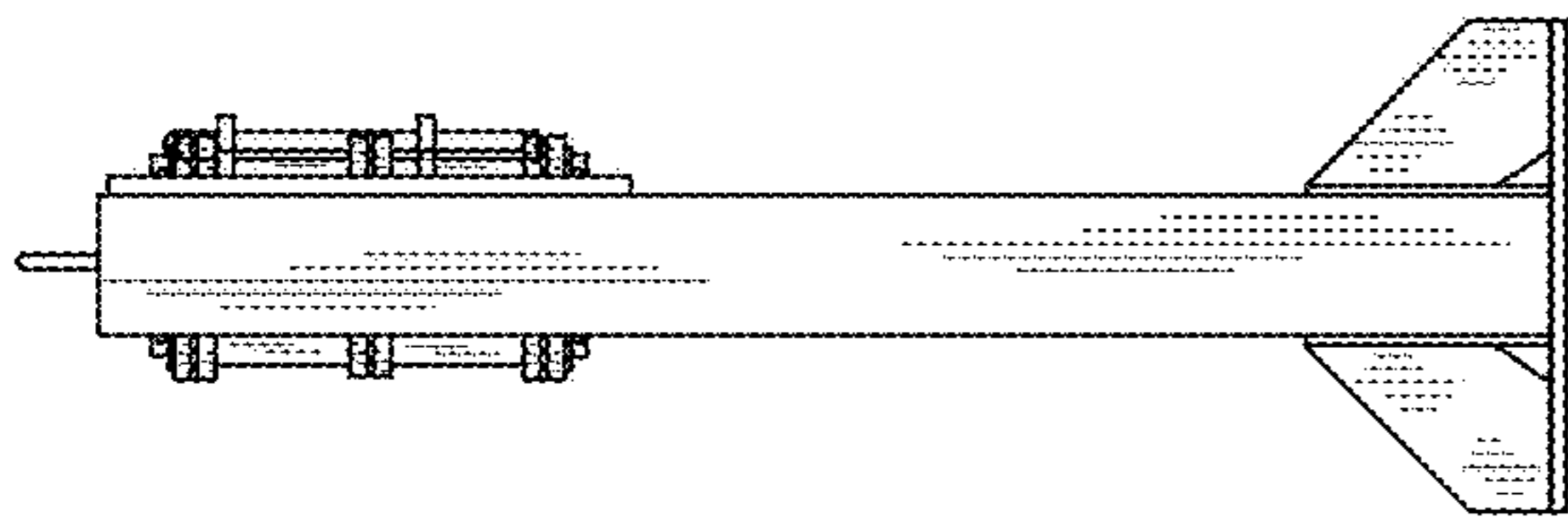
*Fig. 1*



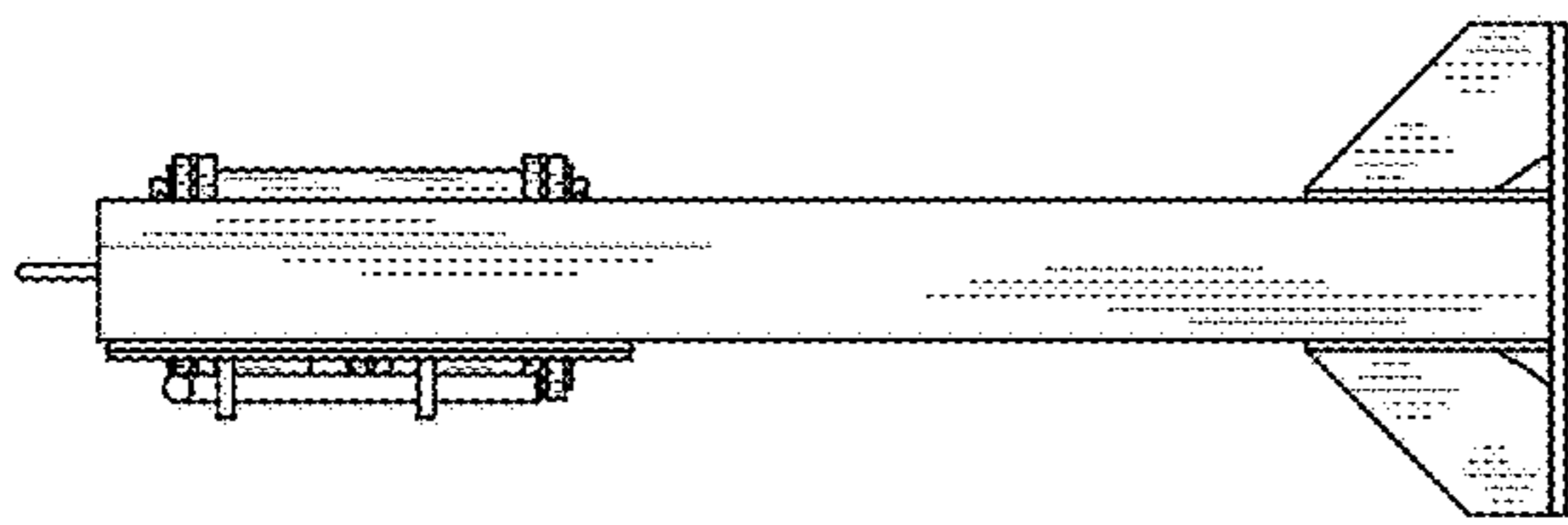
*Fig. 2*



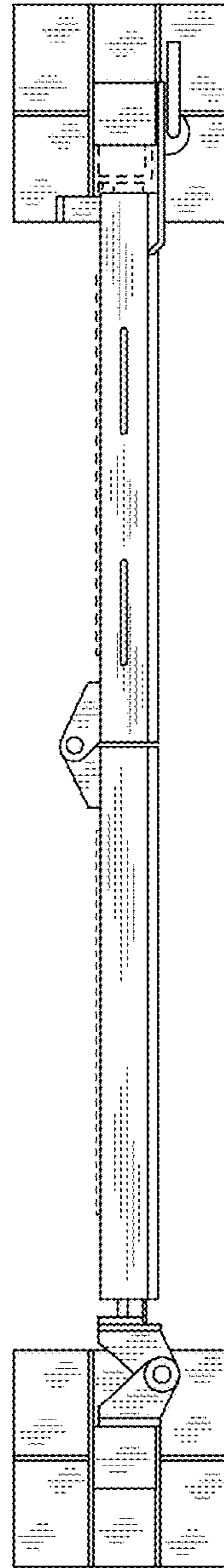
*Fig. 3*



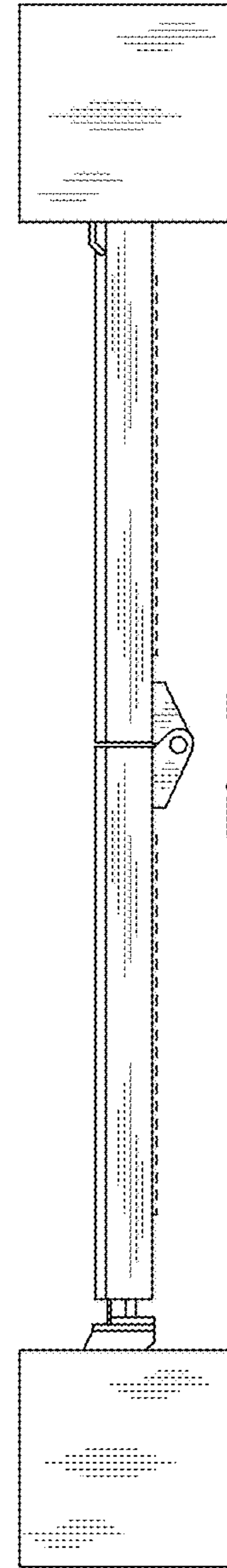
*Fig. 4*



*Fig. 5*



*Fig. 6*



*Fig. 7*