

US00D867618S

(12) **United States Design Patent** (10) **Patent No.:** **US D867,618 S**
Galla (45) **Date of Patent:** **** Nov. 19, 2019**

(54) **GATE SAFETY BARRIER**
(71) Applicant: **Paul V. Galla**, Erie, PA (US)
(72) Inventor: **Paul V. Galla**, Erie, PA (US)
(**) Term: **15 Years**

5,299,386 A * 4/1994 Naegelli E01F 13/06
49/27
5,459,963 A * 10/1995 Alexander E01F 1/00
49/34
5,564,238 A * 10/1996 Ellis B65G 69/008
49/447
5,649,396 A * 7/1997 Carr E01F 13/06
49/34

(Continued)

(21) Appl. No.: **29/612,655**

(22) Filed: **Aug. 2, 2017**

(51) **LOC (12) Cl.** **25-02**

(52) **U.S. Cl.**
USPC **D25/48.5**

(58) **Field of Classification Search**
USPC D25/48.5
CPC .. E01F 1/00; E01F 13/04; E01F 13/06; B65G
69/008; B65G 69/2876; B65G 69/2888;
B61L 29/224

See application file for complete search history.

(56) **References Cited**

U.S. PATENT DOCUMENTS

216,315 A * 6/1879 Dawson A23L 29/30
426/658
1,331,673 A * 2/1920 Proctor B61L 29/20
246/292
1,347,198 A * 7/1920 Winter B66B 13/26
49/26
1,545,053 A * 7/1925 Kelly B61L 29/04
49/361
1,698,424 A * 1/1929 Banschbach B61L 29/224
49/360
3,839,824 A * 10/1974 Ellis E01F 13/04
242/378
4,811,516 A * 3/1989 Anderson E01F 13/06
49/141
4,920,598 A * 5/1990 Hahn B65G 69/2888
14/71.1
5,118,056 A * 6/1992 Jeanise E01F 13/048
246/111

FOREIGN PATENT DOCUMENTS

EM 002114785-0001 * 10/2012
JP D1281621 * 9/2006
KR 300693506.0000 * 5/2013

OTHER PUBLICATIONS

<https://www.usnetting.com/static/pdf/capstatement2017usnetting.pdf> last modified Mar. 14, 2017 (Year: 2017).*

(Continued)

Primary Examiner — Leanne Was-Englehart
(74) *Attorney, Agent, or Firm* — Jonathan M. D’Silva;
MMI Intellectual Property

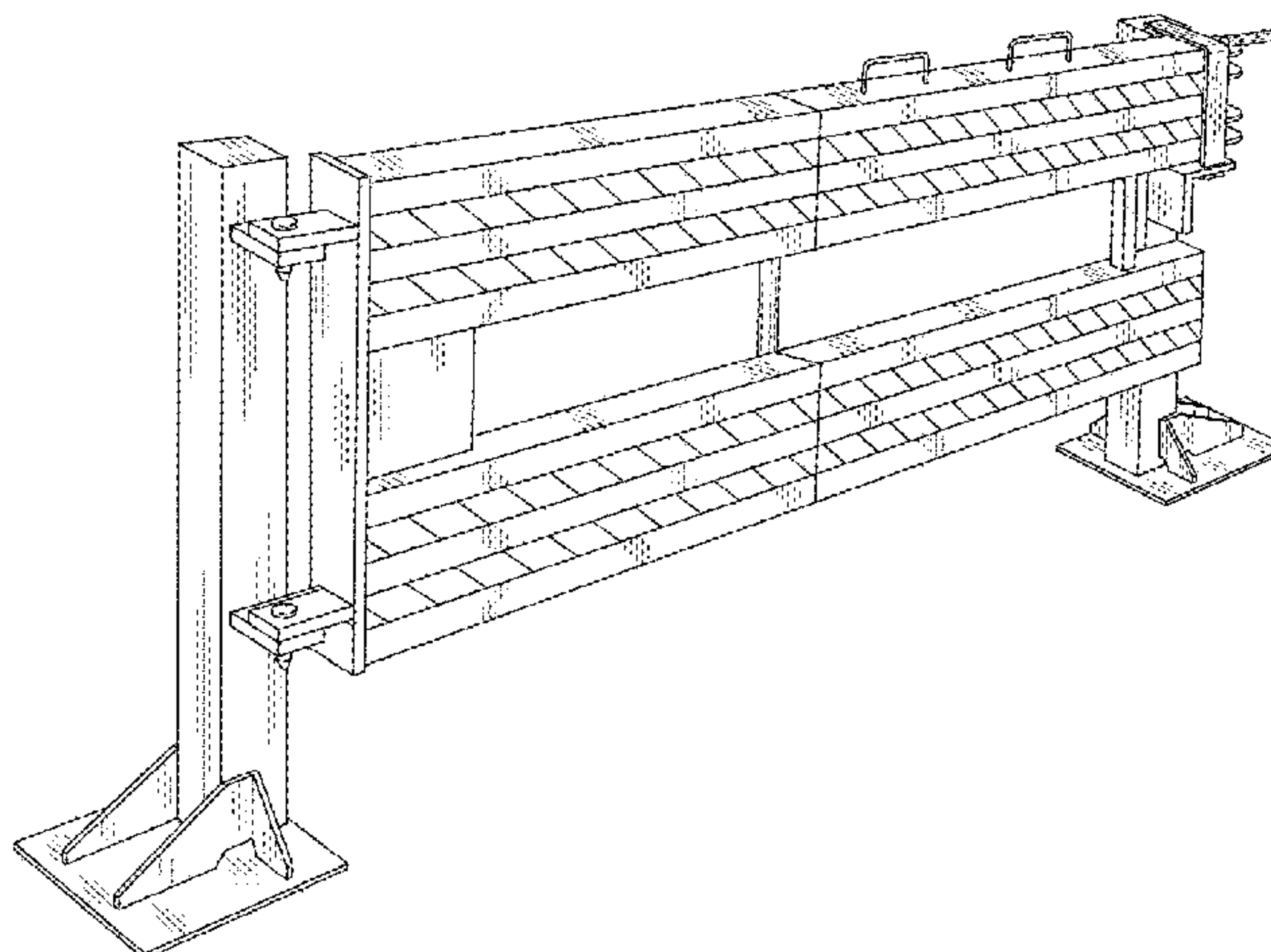
(57) **CLAIM**

What is claimed the ornamental design for a gate safety barrier, as shown and described.

DESCRIPTION

FIG. 1 is a perspective view of the gate safety barrier;
FIG. 2 is a front view of the gate safety barrier of FIG. 1;
FIG. 3 is a rear view of the gate safety barrier of FIG. 1;
FIG. 4 is a left side view of the gate safety barrier of FIG. 1;
FIG. 5 is a right side view of the gate safety barrier of FIG. 1;
FIG. 6 is a top view of the gate safety barrier of FIG. 1; and,
FIG. 7 is a bottom view of the gate safety barrier of FIG. 1.

1 Claim, 4 Drawing Sheets



(56)

References Cited

U.S. PATENT DOCUMENTS

5,797,218 A * 8/1998 Holland E06B 9/04
49/55
7,207,370 B2 * 4/2007 Snyder E01F 13/028
160/23.1
2008/0000156 A1 * 1/2008 Stoffels E01F 13/06
49/49
2014/0161523 A1 * 6/2014 Ball E01F 13/06
404/6

OTHER PUBLICATIONS

<https://cdn.thomasnet.com/ccp/30726168/252609.pdf> last modified
Oct. 5, 2017 (Year: 2017).*
<https://www.youtube.com/watch?v=acpjXOMsbMw> posted Feb. 6,
2018 (Year: 2018).*

* cited by examiner

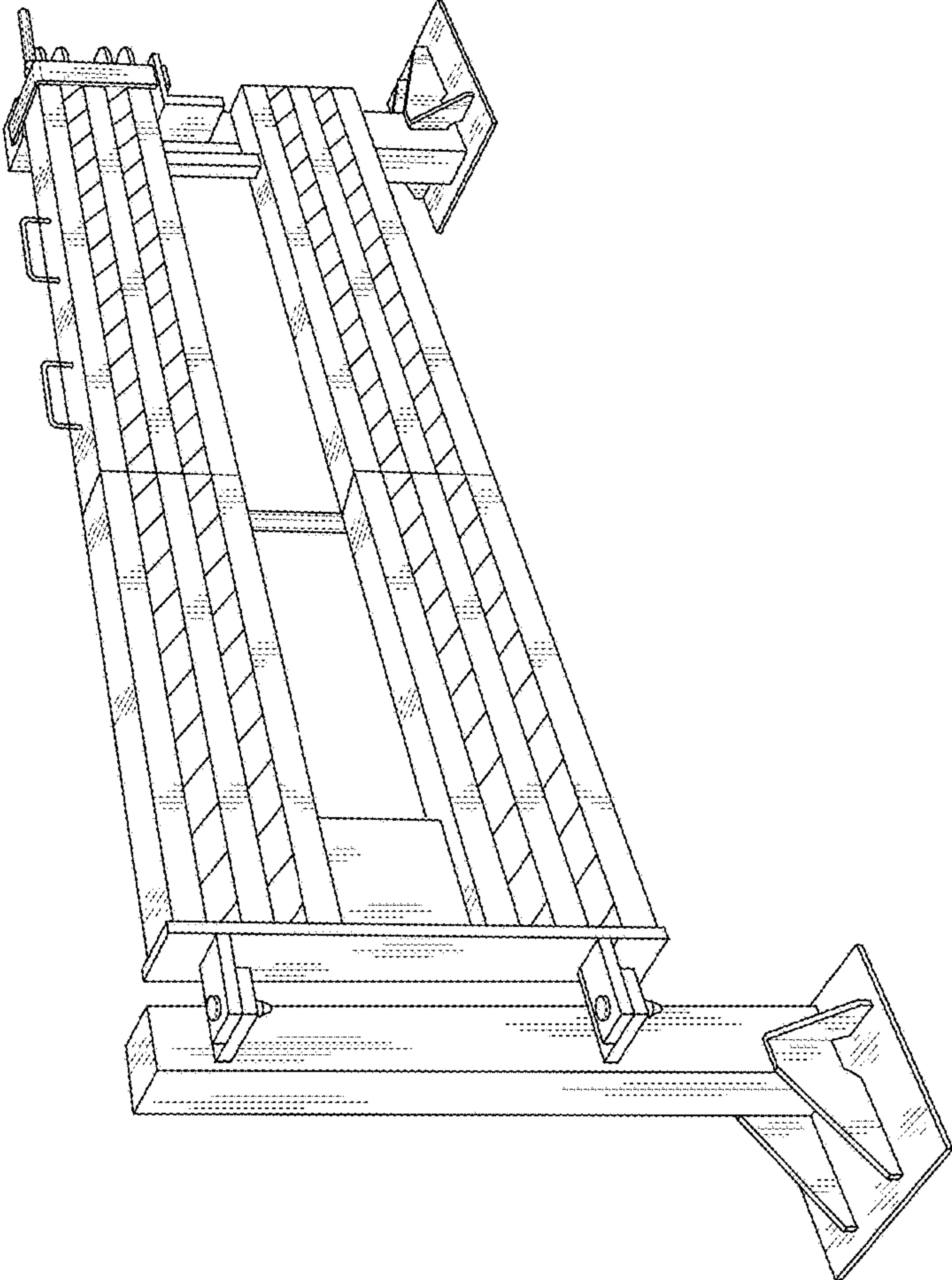


Fig. 1

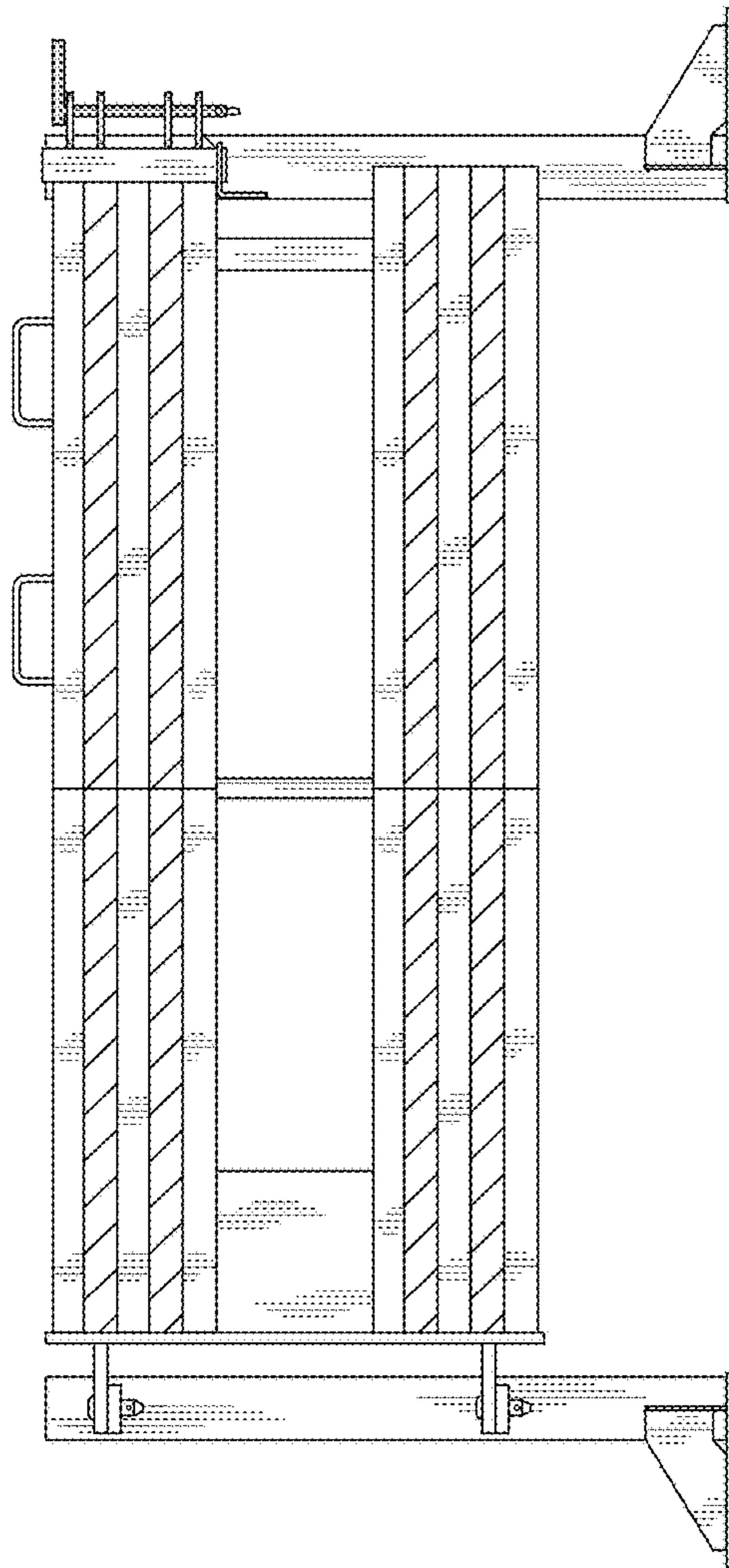


Fig. 2

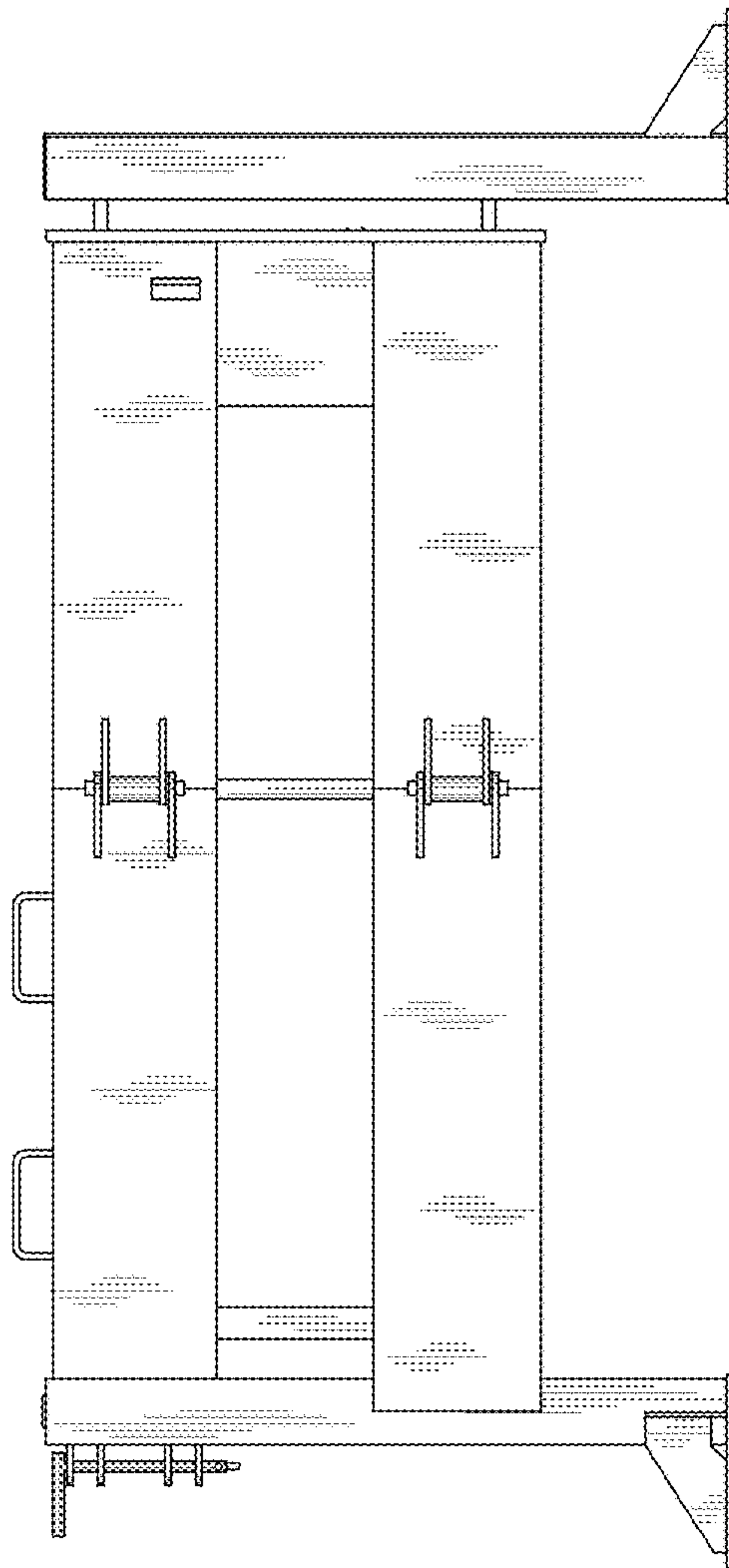


Fig. 3

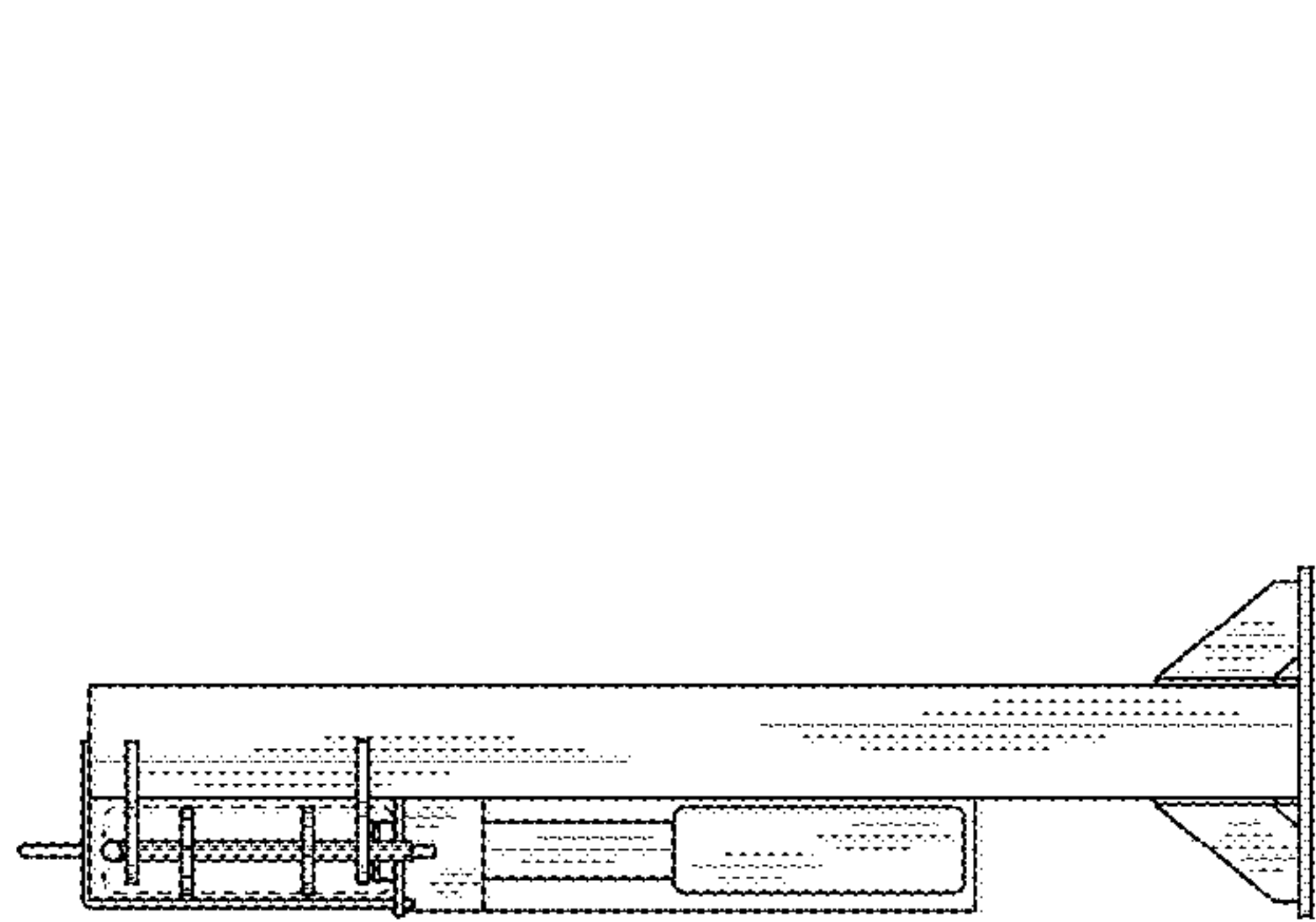


Fig. 4

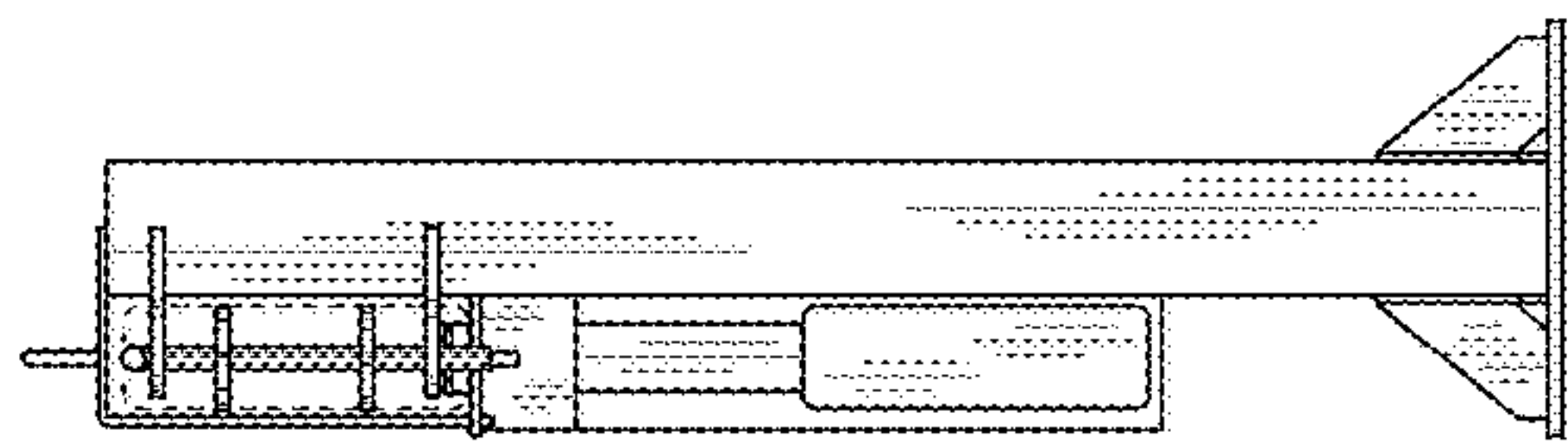


Fig. 5

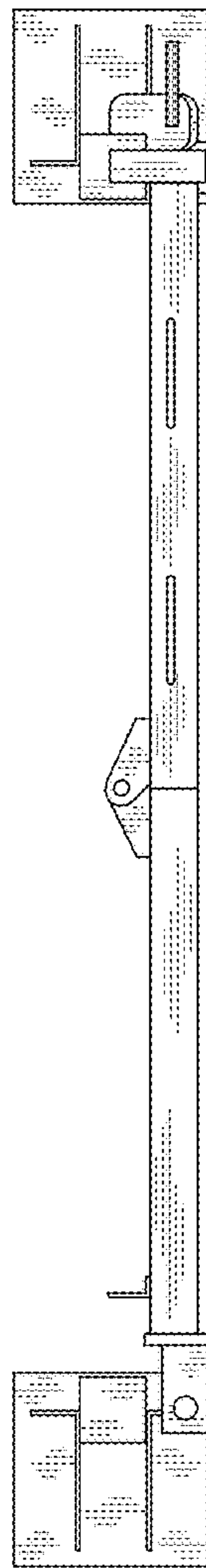


Fig. 6

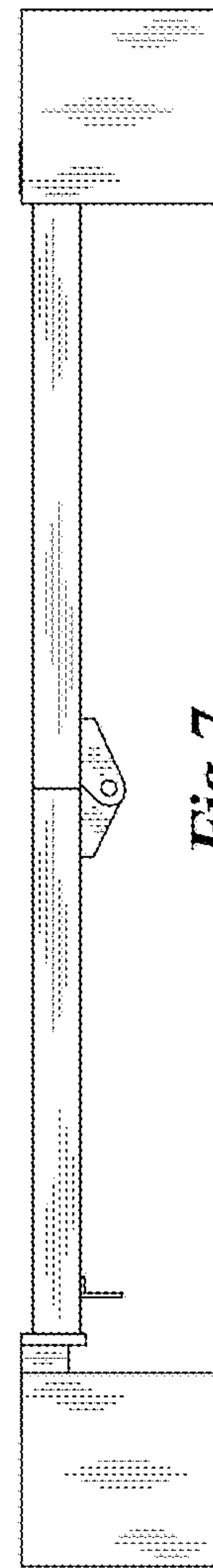


Fig. 7