

US00D867616S

(12) **United States Design Patent** (10) **Patent No.:** **US D867,616 S**  
**Malakauskas** (45) **Date of Patent:** **\*\* Nov. 19, 2019**

- (54) **PREFABRICATED MODULE** 2,825,098 A 4/1958 Hultquist
- 2,891,638 A 6/1959 Grundy
- (71) Applicant: **Vastint Hospitality B.V.**, Amsterdam 3,047,106 A 7/1962 Callahan  
(NL) 3,238,346 A 3/1966 Savko
- 3,462,891 A 8/1969 Smith
- (72) Inventor: **Giedrius Malakauskas**, Amsterdam 3,492,767 A 2/1970 Pincus  
(NL) 3,503,170 A 3/1970 Shelley

(Continued)

- (73) Assignee: **Vastint Hospitality B.V.**, Amsterdam  
(NL)

**FOREIGN PATENT DOCUMENTS**

- (\*\*) Term: **15 Years**

CA	2046217	1/1992
CH	688629	12/1997

(Continued)

- (21) Appl. No.: **29/570,383**

**OTHER PUBLICATIONS**

- (22) Filed: **Jul. 7, 2016**

U.S. Appl. No. 15/266,466, filed Sep. 15, 2016, entitled prefabricated Panel for a Building.

(Continued)

**Related U.S. Application Data**

- (62) Division of application No. 29/480,005, filed on Jan. 22, 2014, now Pat. No. Des. 765,266.

*Primary Examiner* — Brett Miller

- (30) **Foreign Application Priority Data**

(74) *Attorney, Agent, or Firm* — Merchant & Gould P.C.

Jul. 22, 2013 (EM) ..... 002278861

- (51) **LOC (12) Cl.** ..... **25-03**

(57) **CLAIM**

- (52) **U.S. Cl.**  
USPC ..... **D25/4**

The ornamental design for prefabricated module, as shown and described.

- (58) **Field of Classification Search**

**DESCRIPTION**

USPC ..... D25/1, 3, 4, 5, 6, 14, 15, 17, 18, 20, 24,  
D25/26, 32-33, 35, 56, 58, 59; 52/79.1

FIG. 1 is a top view of a prefabricated module.  
FIG. 2 is a door side view of a prefabricated module.  
FIG. 3 is a side view of a prefabricated module and panel.  
FIG. 4 is a perspective view of an assembled prefabricated module and panels and facade without a ceiling; and,  
FIG. 5 is a perspective view showing a complete ground floor of the building and a complete first floor constructed by prefabricated modules and panels and facades.

CPC ..... E04H 1/00-1277

See application file for complete search history.

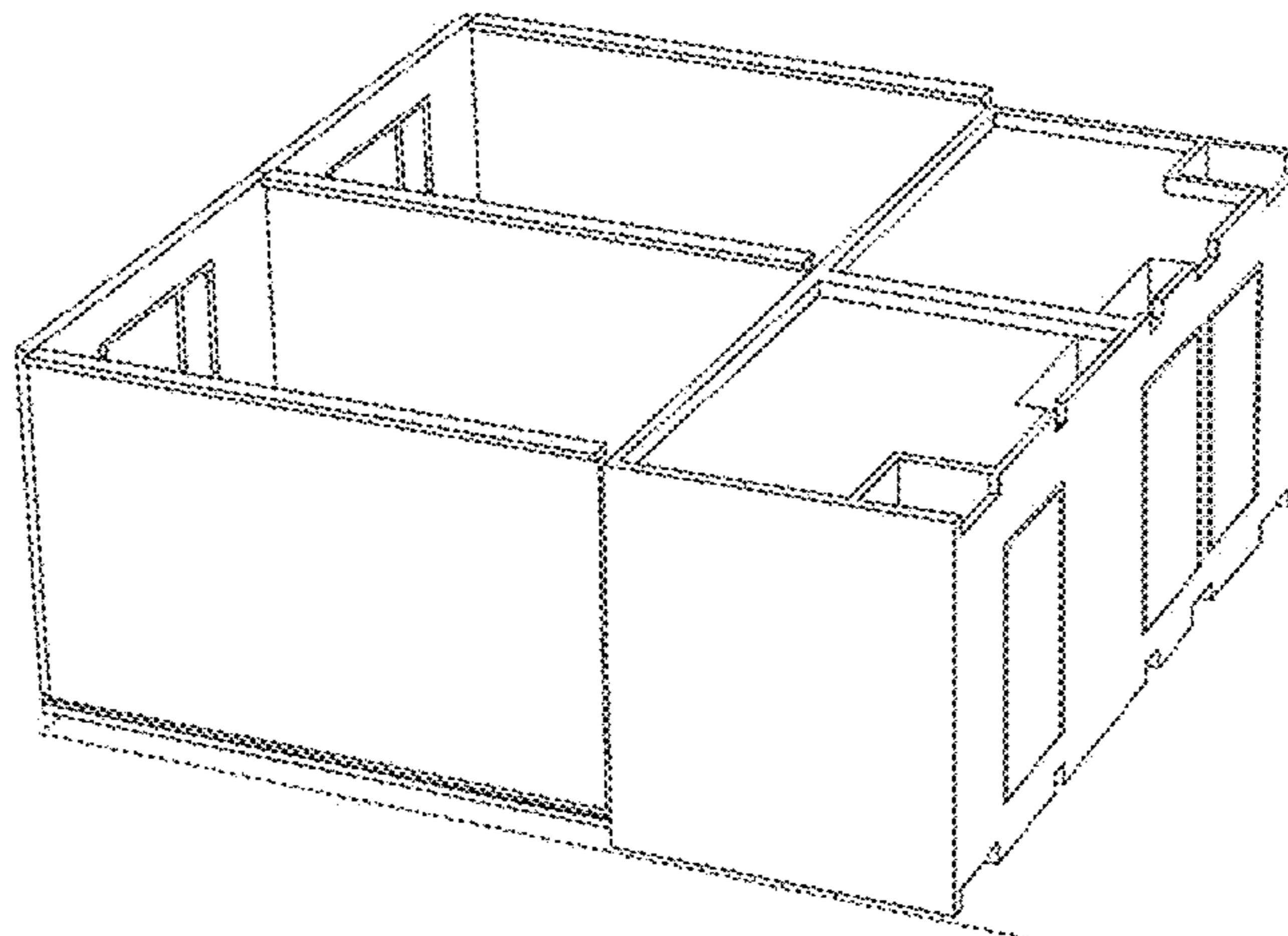
The broken lines shown in the figures represent environment and do not form a part of the claimed invention.

- (56) **References Cited**

**U.S. PATENT DOCUMENTS**

2,089,059 A	8/1937	Frykdahl	
2,204,319 A *	6/1940	Parsons	..... E04H 1/005 446/112
2,442,184 A	5/1948	Summers	

**1 Claim, 4 Drawing Sheets**



(56)

References Cited

U.S. PATENT DOCUMENTS

3,510,997 A 5/1970 Ratych  
 3,550,334 A 12/1970 Lely  
 3,577,672 A 5/1971 Nutting  
 3,585,767 A 6/1971 Wilk et al.  
 3,593,469 A 7/1971 Wall  
 3,623,296 A 11/1971 Santoro  
 3,643,390 A 2/1972 Shelley  
 3,656,266 A 4/1972 Tylus  
 3,691,003 A 9/1972 Elischer  
 3,694,977 A 10/1972 Verman  
 3,727,753 A 4/1973 Starr et al.  
 3,742,660 A 7/1973 Bierwiler  
 3,750,366 A 8/1973 Rich  
 3,793,796 A 2/1974 Hughes  
 3,828,502 A 8/1974 Carlsson  
 3,831,327 A 8/1974 McCrillis et al.  
 3,858,846 A 1/1975 Schmid  
 3,862,534 A 1/1975 Coletti  
 3,866,672 A 2/1975 Rich et al.  
 3,894,373 A 7/1975 Willingham  
 3,921,355 A 11/1975 Pennecot  
 3,971,867 A 7/1976 Randall  
 3,990,193 A 11/1976 Ray et al.  
 4,118,905 A 10/1978 Shelley  
 4,147,926 A 4/1979 Stähli  
 4,176,274 A 11/1979 Lippera  
 4,212,405 A 7/1980 Schmidt  
 4,231,199 A 11/1980 Gomez et al.  
 4,238,858 A 12/1980 Maihart  
 4,267,769 A 5/1981 Davis  
 4,324,605 A 4/1982 Bethea  
 4,327,529 A 5/1982 Bigelow, Jr. et al.  
 4,364,206 A 12/1982 Wybauw  
 4,439,957 A 4/1984 Raasakka  
 4,501,098 A 2/1985 Gregory  
 4,513,545 A 4/1985 Hopkins  
 4,525,975 A 7/1985 McWethy  
 4,599,829 A 7/1986 DiMartino  
 4,634,040 A 1/1987 Savard  
 D295,734 S 5/1988 Barber et al.  
 4,745,712 A 5/1988 O'Leary  
 4,748,777 A 6/1988 Glassco  
 4,788,802 A 12/1988 Wokas  
 4,879,850 A 11/1989 Glassco  
 D334,985 S 4/1993 D'Agostino et al.  
 5,233,808 A 8/1993 Salmenmäki et al.  
 5,305,568 A 4/1994 Beckerman  
 5,345,779 A 9/1994 Feeney  
 5,438,713 A 8/1995 Clarke  
 5,706,614 A 1/1998 Wiley et al.  
 5,724,773 A 3/1998 Hall  
 5,778,607 A 7/1998 Edwards  
 5,797,440 A 8/1998 Tsai  
 D399,572 S \* 10/1998 Ota ..... D25/1  
 D408,332 S 4/1999 Leoni  
 5,930,960 A 8/1999 Konnerth  
 6,014,842 A 1/2000 Matsubara  
 6,035,585 A \* 3/2000 Boyd ..... E04H 5/06  
 52/79.1  
 6,050,033 A 4/2000 Wrightman  
 D426,644 S 6/2000 Reiber et al.  
 6,164,106 A 12/2000 Nghiem et al.  
 6,195,950 B1 3/2001 Harris  
 6,393,774 B1 5/2002 Fisher  
 6,438,903 B1 8/2002 Weiss  
 6,510,659 B2 1/2003 Boyer et al.  
 6,534,143 B1 3/2003 Thoma  
 6,581,982 B1 6/2003 Nghiem  
 6,616,390 B1 9/2003 Feilner  
 6,699,575 B1 3/2004 Dagher  
 6,854,218 B2 2/2005 Weiss  
 6,951,079 B2 10/2005 Weiss  
 7,004,455 B2 2/2006 Pilja  
 7,327,529 B2 2/2008 Seo  
 7,520,102 B1 4/2009 diGirolamo et al.

D596,313 S 7/2009 Perrin  
 7,941,975 B2 5/2011 Ingjaldsdottir et al.  
 D655,019 S 2/2012 Colless et al.  
 8,291,647 B2 10/2012 Esposito  
 D705,449 S \* 5/2014 Moyer ..... D25/59  
 8,747,987 B2 6/2014 Yu  
 8,869,465 B2 10/2014 McDougall  
 8,875,445 B2 11/2014 Lippert  
 D765,266 S \* 8/2016 Malakauskas ..... D25/4  
 9,464,436 B2 10/2016 Malakauskas et al.  
 9,556,632 B2 1/2017 Malakauskas et al.  
 D791,967 S \* 7/2017 Goldberg ..... D25/16  
 2001/0047628 A1 12/2001 Mouton  
 2002/0059763 A1 5/2002 Wong  
 2003/0033769 A1 2/2003 Record  
 2003/0107471 A1 6/2003 Tsubone  
 2003/0150178 A1 8/2003 Bergman  
 2004/0226238 A1 11/2004 Haapiainen  
 2005/0108957 A1 5/2005 Quesada  
 2006/0059792 A1 3/2006 Tiramani  
 2006/0179749 A1 8/2006 Brabdt  
 2007/0163184 A1 7/2007 Olesch  
 2007/0200342 A1 8/2007 Roberts-Moore et al.  
 2007/0245640 A1 10/2007 Bergqvist  
 2007/0271857 A1 11/2007 Heather et al.  
 2008/0134589 A1 6/2008 Abrams et al.  
 2008/0202048 A1 8/2008 Miller  
 2008/0213040 A1 9/2008 Morze-Reichartz  
 2008/0245017 A1 10/2008 Hawes  
 2009/0113814 A1 5/2009 Roivera et al.  
 2009/0205277 A1 8/2009 Gibson  
 2009/0293396 A1 12/2009 Porter  
 2010/0126082 A1 5/2010 McLuskey  
 2010/0135746 A1 6/2010 Taneichi  
 2010/0283236 A1 11/2010 Sudar  
 2011/0023383 A1 2/2011 Brouillard  
 2011/0056147 A1 3/2011 Beaudet  
 2011/0088333 A1 5/2011 Ingjaldsdottir et al.  
 2011/0162293 A1 7/2011 Levy et al.  
 2011/0265396 A1 11/2011 Heather  
 2011/0296769 A1 12/2011 Collins  
 2012/0023837 A1 2/2012 Eisenbeisz  
 2012/0047821 A1 3/2012 Bowron  
 2013/0036702 A1 2/2013 Pacetti  
 2013/0133272 A1 5/2013 Desormeaux et al.  
 2013/0152485 A1 6/2013 Austin et al.  
 2013/0239487 A1 9/2013 Ingjaldsdottir et al.  
 2013/0305629 A1 11/2013 Stephenson et al.  
 2014/0352232 A1 12/2014 Malakauskas et al.  
 2015/0013240 A1 1/2015 Malakauskas et al.  
 2015/0240475 A1 8/2015 Malakauskas et al.

FOREIGN PATENT DOCUMENTS

CN 101967851 2/2011  
 DE 3744017 7/1989  
 DE 9313274 U 11/1993  
 DE 9314567 U1 3/1994  
 DE 9400057 U1 4/1994  
 DE 102005044980 3/2007  
 DE 19704824 10/2007  
 DE 202006007316 U1 10/2007  
 DE 202007009528 U1 12/2008  
 DE 102007037436 2/2009  
 DE 102007057003 5/2009  
 DE 102007057291 6/2009  
 DE 102008061009 6/2010  
 EP 0320381 A1 6/1989  
 EP 0 462 790 12/1991  
 EP 0 467 191 2/1992  
 EP 0565 842 10/1993  
 EP 0565842 10/1993  
 EP 1 039 056 9/2000  
 EP 1 088 943 4/2001  
 EP 0 772 719 8/2001  
 EP 1 126 091 8/2001  
 EP 1 254 289 8/2001  
 EP 0 879 118 11/2001  
 EP 1 042 630 6/2002

(56)

**References Cited**

FOREIGN PATENT DOCUMENTS

EP	0 913 612	4/2003
EP	1 369 636	12/2003
EP	1 403 441	3/2004
EP	1 740 787	10/2005
EP	1 863 980	10/2006
EP	1 899 542	12/2006
EP	1 764 447	3/2007
EP	1 733 100	1/2009
EP	2 537 999	12/2012
GB	569053	5/1945
GB	1 213 009	11/1970
GB	2492378	1/2013
KR	2009 0130562	12/2009
NL	6903809	9/1969
SE	324340	5/1970
WO	WO 96/36777	11/1996
WO	WO 97/28929	8/1997
WO	WO 98/38395	9/1998
WO	WO 99/23406	5/1999
WO	WO 00/34593	6/2000
WO	WO 01/55517	8/2001
WO	WO 2002/81831	10/2002
WO	WO 2004/048710	6/2004
WO	WO 2004/067868	8/2004
WO	WO 2004/099519	11/2004
WO	WO 2005/088021	9/2005
WO	WO 2005/093185	10/2005

WO	WO 2006/103033	10/2006
WO	WO 2006/119517	11/2006
WO	WO 2006/136853	12/2006
WO	WO 2008/102152	8/2008
WO	WO 2008/004896	10/2008
WO	WO 2008/143496	11/2008
WO	WO 2009/154387	12/2009
WO	WO 2010/001719	1/2010
WO	WO 2010/008295	1/2010
WO	WO 2010/018267	2/2010
WO	WO 2011/039439	4/2011
WO	WO 2011/102332	8/2011
WO	WO 2011/117675	9/2011
WO	WO 2011/123873	10/2011

OTHER PUBLICATIONS

U.S. Appl. No. 15/419,690, filed Jan. 30, 2017, entitled Method and System for Construction of a Building.  
 U.S. Appl. No. 14/373,729, filed Jul. 22, 2014, entitled Prefabricated Module for a Building.  
 International Search Report for International Application No. PCT/EP2013/051157 dated May 28, 2013 (3 pages).  
 International Search Report for International Application No. PCT/EP2013/051155 dated Jun. 20, 2013 (3 pages).  
 International Search Report for International Application No. PCT/EP2013/051158 dated Jun. 6, 2013 (2 pages).

\* cited by examiner

FIG. 1

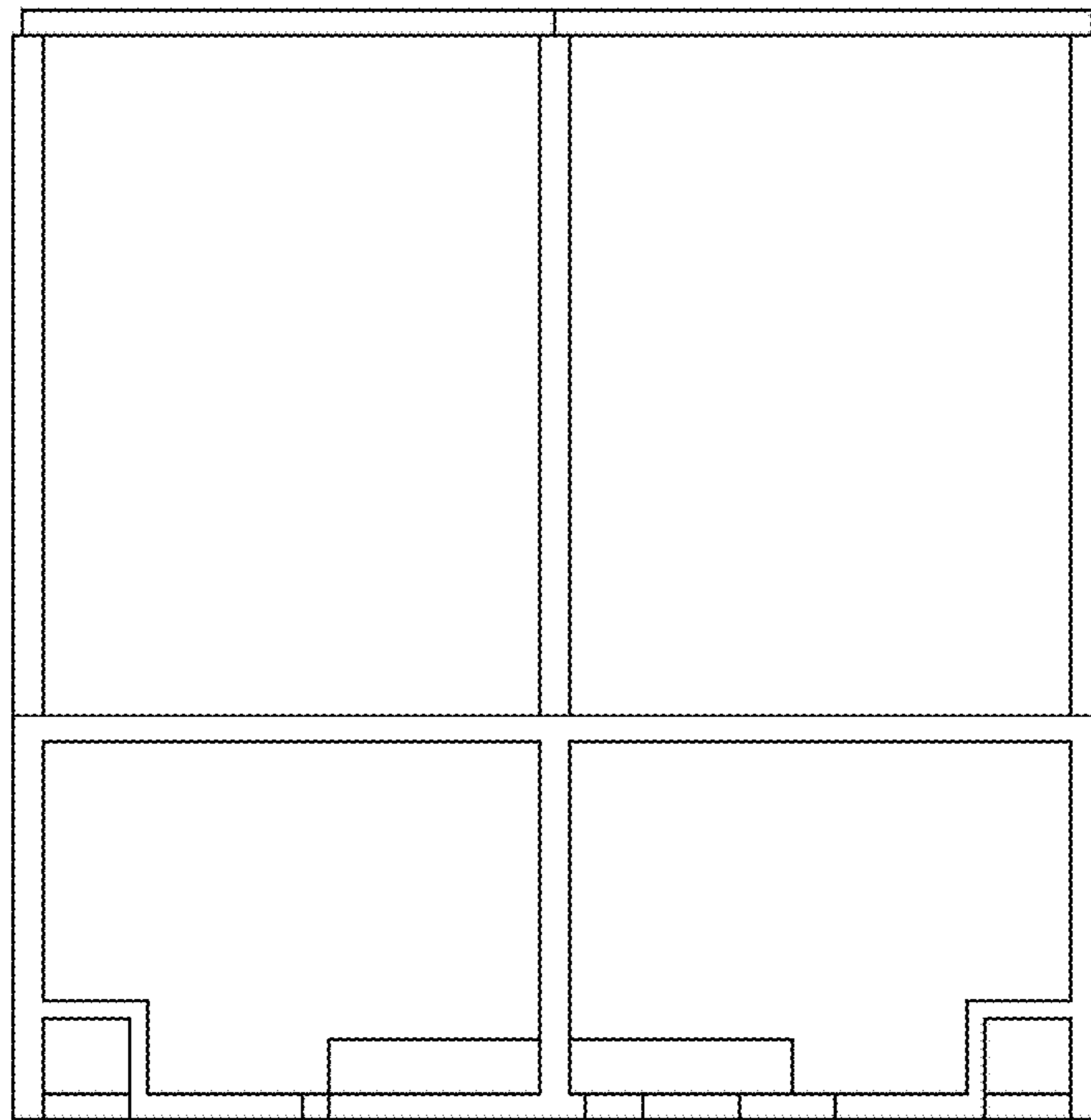


FIG. 2

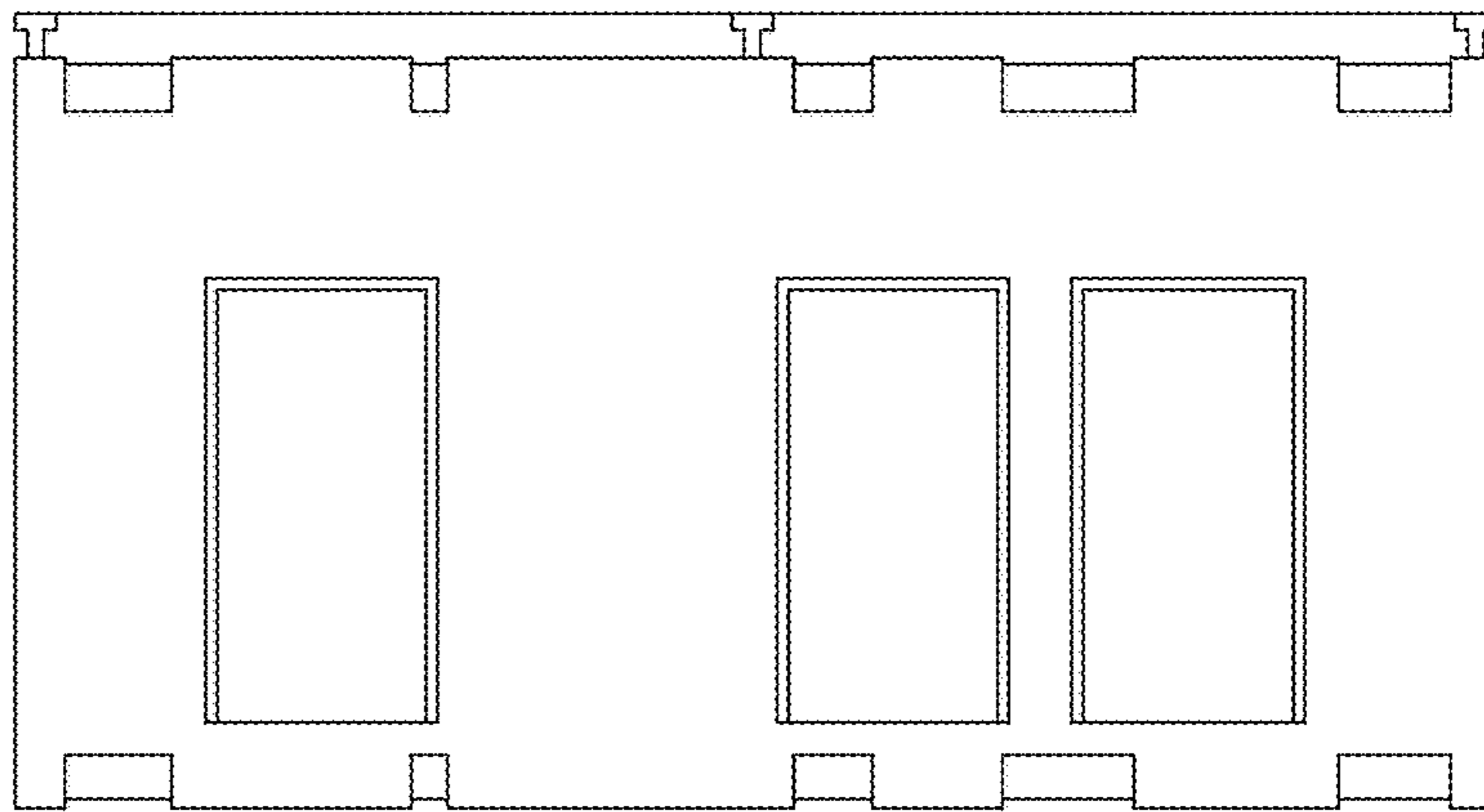


FIG. 3

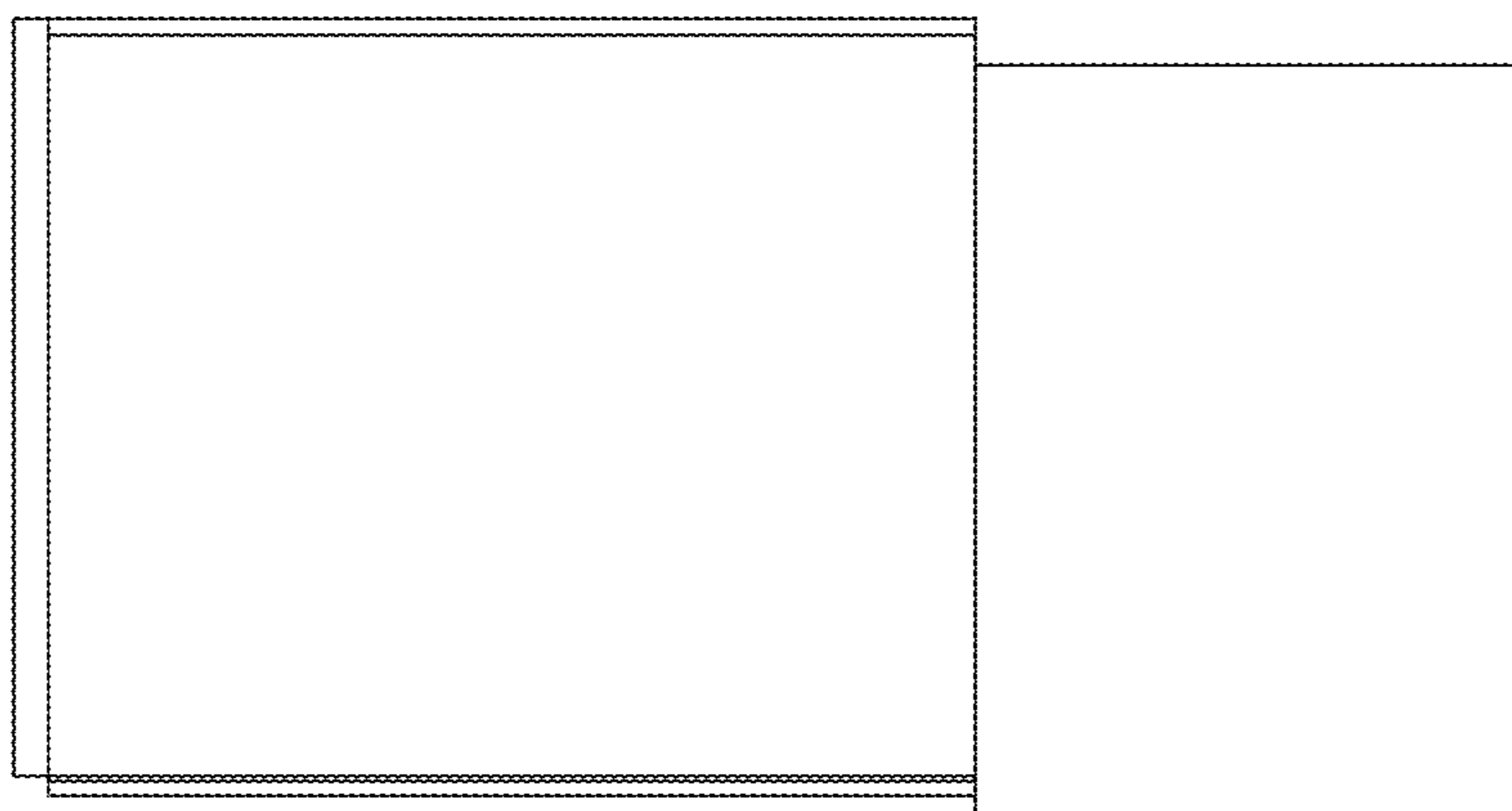
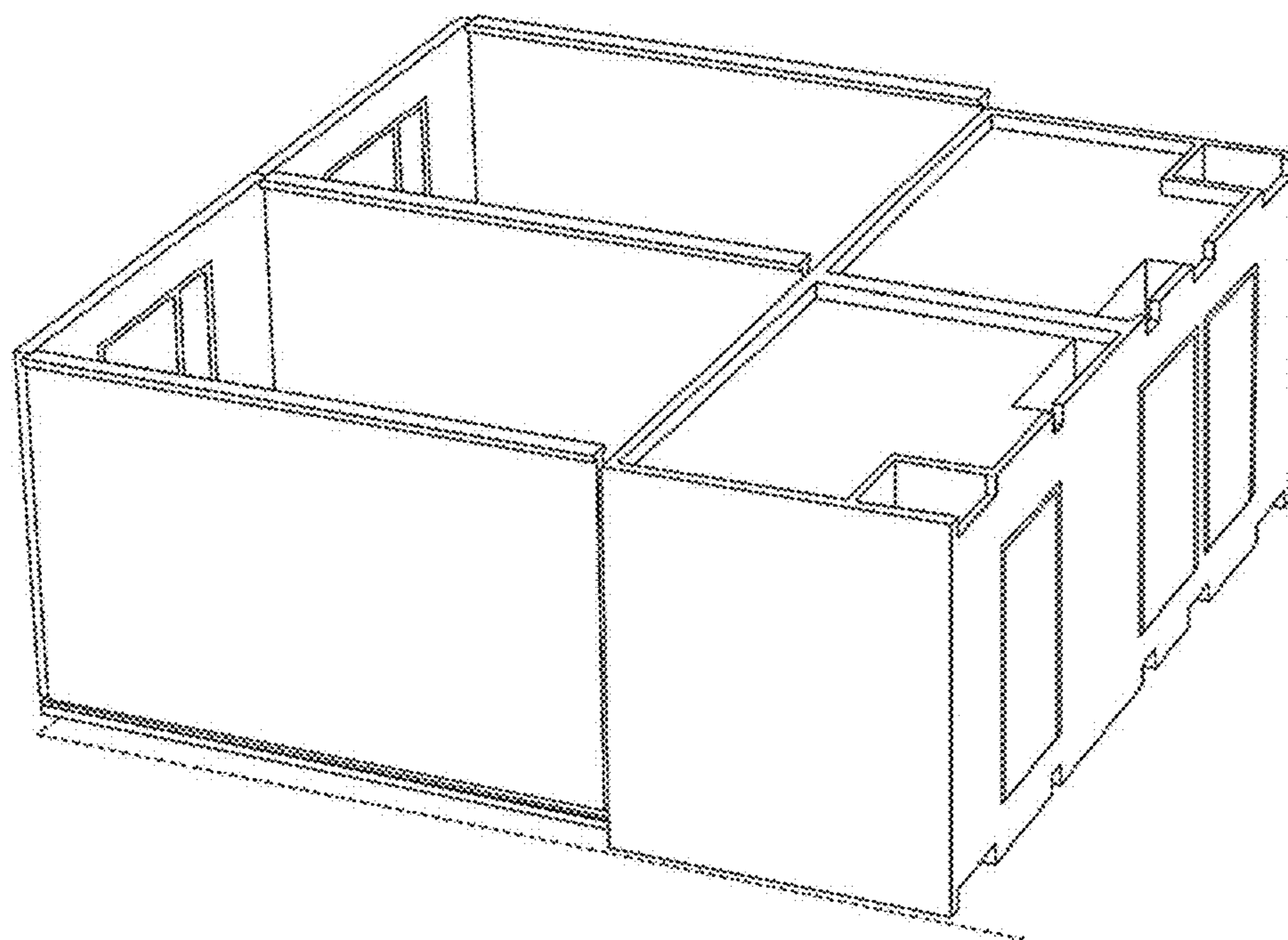


FIG. 4



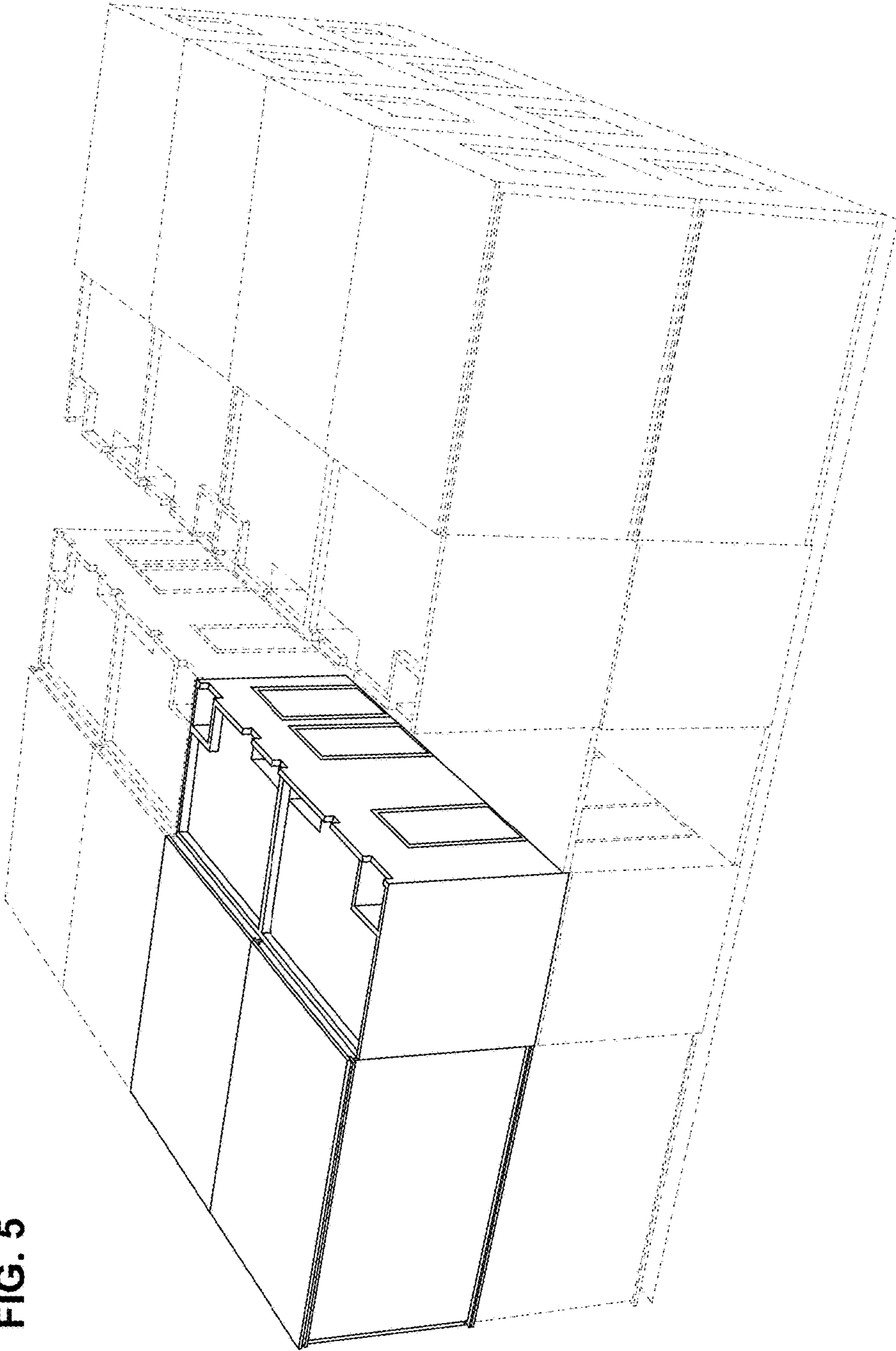


FIG. 5