

US00D867611S

(12) **United States Design Patent** (10) **Patent No.:** **US D867,611 S**
Schaff et al. (45) **Date of Patent:** **** Nov. 19, 2019**

(54) **SAMPLE CUP**

(56) **References Cited**

(71) Applicant: **Sandstone Diagnostics, Inc.**,
Livermore, CA (US)
(72) Inventors: **Ulrich Schaff**, Livermore, CA (US);
Jon Epperson, Livermore, CA (US);
Laura Fredriksen, Berkeley, CA (US);
Kirk Harmon, San Ramon, CA (US)
(73) Assignee: **Sandstone Diagnostics, Inc.**,
Pleasanton, CA (US)
(**) Term: **15 Years**

U.S. PATENT DOCUMENTS

3,401,696 A	9/1968	O'Brien	
3,518,164 A	6/1970	Andelin	
4,300,404 A	11/1981	Mehl	
D267,118 S	11/1982	Bernett	
4,530,816 A	7/1985	Douglas-Hamilton	
4,799,599 A	1/1989	Herrman	
D309,779 S *	8/1990	D'Aquino	D24/226
D316,449 S *	4/1991	D'Aquino	D24/226
D321,940 S *	11/1991	D'Aquino	D24/226
5,068,089 A	11/1991	Ericsson	
D324,271 S *	2/1992	Frenkel	D24/226
5,358,690 A	10/1994	Guirguis	
D398,993 S	9/1998	Jones	

(Continued)

(21) Appl. No.: **29/635,168**

(22) Filed: **Jan. 29, 2018**

(51) **LOC (12) Cl.** **24-02**

(52) **U.S. Cl.**
USPC **D24/224**

(58) **Field of Classification Search**
USPC D24/122, 128, 223-224, 226-227,
D24/229-230; D10/46.2, 46.3, 10;
D9/696

CPC A61B 10/007; A61B 10/0038; A61B
10/0045; A61B 10/0051; A61B 10/0058;
A61B 10/0096; A61B 5/20; A61D
19/021; A61F 5/00; B01L 3/50; B01L
3/502; B01L 3/5021; B01L 3/50215;
B01L 3/5023; B01L 3/505; B01L 3/508;
B01L 3/5082; B01L 3/50825; B01L
3/5453; B01L 9/06; B04B 5/0414; B04B
5/0421; G01F 19/00; G01N 1/08; G01N
1/10; G01N 1/12; G01N 1/14; G01N
1/2035; G01N 1/36; G01N 1/38; G01N
21/03; G01N 21/29; G01N 33/491; G01N
33/5005; G01N 33/5039; G01N 33/528;
G01N 33/77; G01N 33/54366; G01N
35/00732; G01N 35/0092; G01N 35/025;
G01N 35/026; G01N 35/04; G01N
35/1079

See application file for complete search history.

FOREIGN PATENT DOCUMENTS

EM	0 173 811 A1	1/1985
WO	WO20161884430 A1	12/2016

Primary Examiner — Samantha Q Lawrence
(74) *Attorney, Agent, or Firm* — Kim Rubin

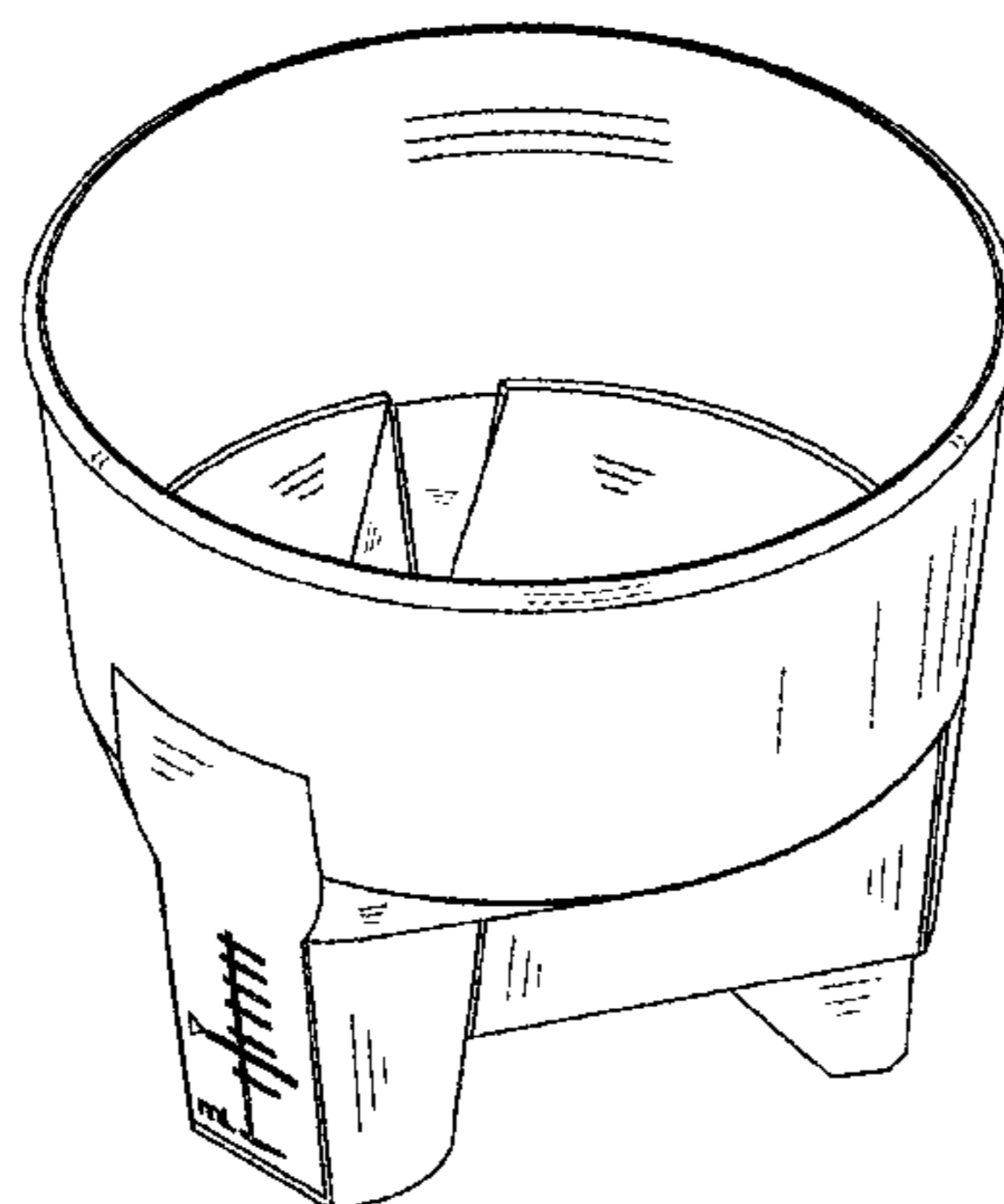
(57) **CLAIM**

The ornamental design for sample cup, as shown and described.

DESCRIPTION

FIG. 1 is a top view of a sample cup.
FIG. 2 is a front view of the sample cup.
FIG. 3 is a right side view of the sample cup.
FIG. 4 is a left side of the sample cup.
FIG. 5 is a bottom view of the sample cup.
FIG. 6 is a back view of the sample cup; and,
FIG. 7 is a perspective view of the sample cup.
The broken lines are included for the purpose of illustrating unclaimed portions of the sample cup and form no part of the claimed design.

1 Claim, 4 Drawing Sheets



(56)

References Cited

U.S. PATENT DOCUMENTS

5,807,360 A 9/1998 Shubin
 5,976,895 A * 11/1999 Cipkowski A61B 10/007
 422/412
 D425,618 S * 5/2000 Niermann D24/216
 D426,302 S * 6/2000 Wilkinson D24/122
 6,291,178 B1 9/2001 Schneider
 6,548,019 B1 * 4/2003 Lee A61B 10/0096
 422/417
 6,616,893 B1 * 9/2003 Pham G01N 33/528
 422/417
 6,699,226 B2 * 3/2004 Velazquez A61B 10/0058
 128/918
 7,077,000 B2 7/2006 Gouldsworthy
 7,300,633 B2 * 11/2007 Hudak B01L 3/502
 422/537
 D558,384 S 12/2007 Bickler et al.
 7,306,120 B2 * 12/2007 Hughes G01F 19/00
 222/158
 D560,813 S 1/2008 Matusuura
 7,438,852 B2 * 10/2008 Tung A61B 10/007
 422/562
 7,550,112 B2 * 6/2009 Gou A61B 10/007
 422/562
 D631,558 S 1/2011 Harmston
 7,864,046 B2 1/2011 Yarsa et al.
 7,947,026 B2 5/2011 Herr et al.
 D641,866 S 7/2011 Burgess

7,981,382 B2 * 7/2011 Wong A61B 10/0045
 422/401
 7,993,315 B2 8/2011 Matusuura
 D660,451 S 5/2012 Matusuura
 8,353,887 B2 1/2013 Matusuura
 D679,413 S * 4/2013 Bucher D24/224
 8,475,422 B2 7/2013 Wu
 8,535,622 B2 9/2013 Shany
 D739,552 S 9/2015 Hoke
 D743,279 S * 11/2015 Schwartz D10/46.2
 D762,299 S 7/2016 Matusuura
 D767,158 S * 9/2016 Wang D24/223
 9,594,034 B1 3/2017 Pompa
 2002/0085953 A1 * 7/2002 Parker A61B 10/007
 422/412
 2004/0081581 A1 * 4/2004 Mount G01N 21/29
 422/400
 2005/0032234 A1 * 2/2005 Ramsey B01L 3/502
 436/169
 2005/0058163 A1 3/2005 Kane et al.
 2007/0031895 A1 2/2007 Herr
 2009/0137974 A1 * 5/2009 Yvoz A61D 19/021
 604/349
 2011/0152801 A1 * 6/2011 Vollrath A61B 10/0058
 604/322
 2012/0078136 A1 * 3/2012 S Nchez Serrano
 A61B 10/0058
 600/580
 2014/0121561 A1 * 5/2014 Chacchia A61B 5/20
 600/574

* cited by examiner

Fig. 1

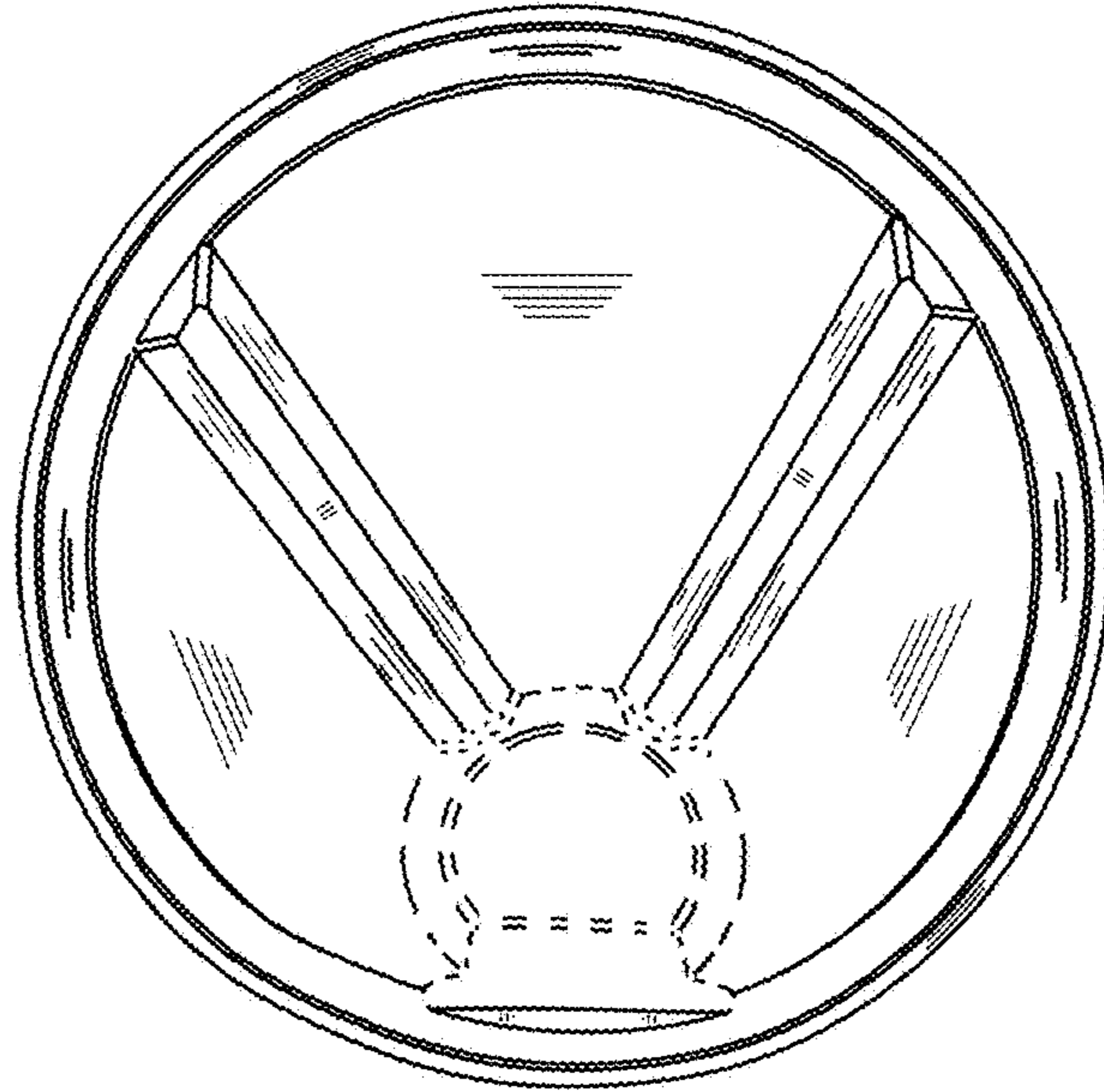


Fig. 2

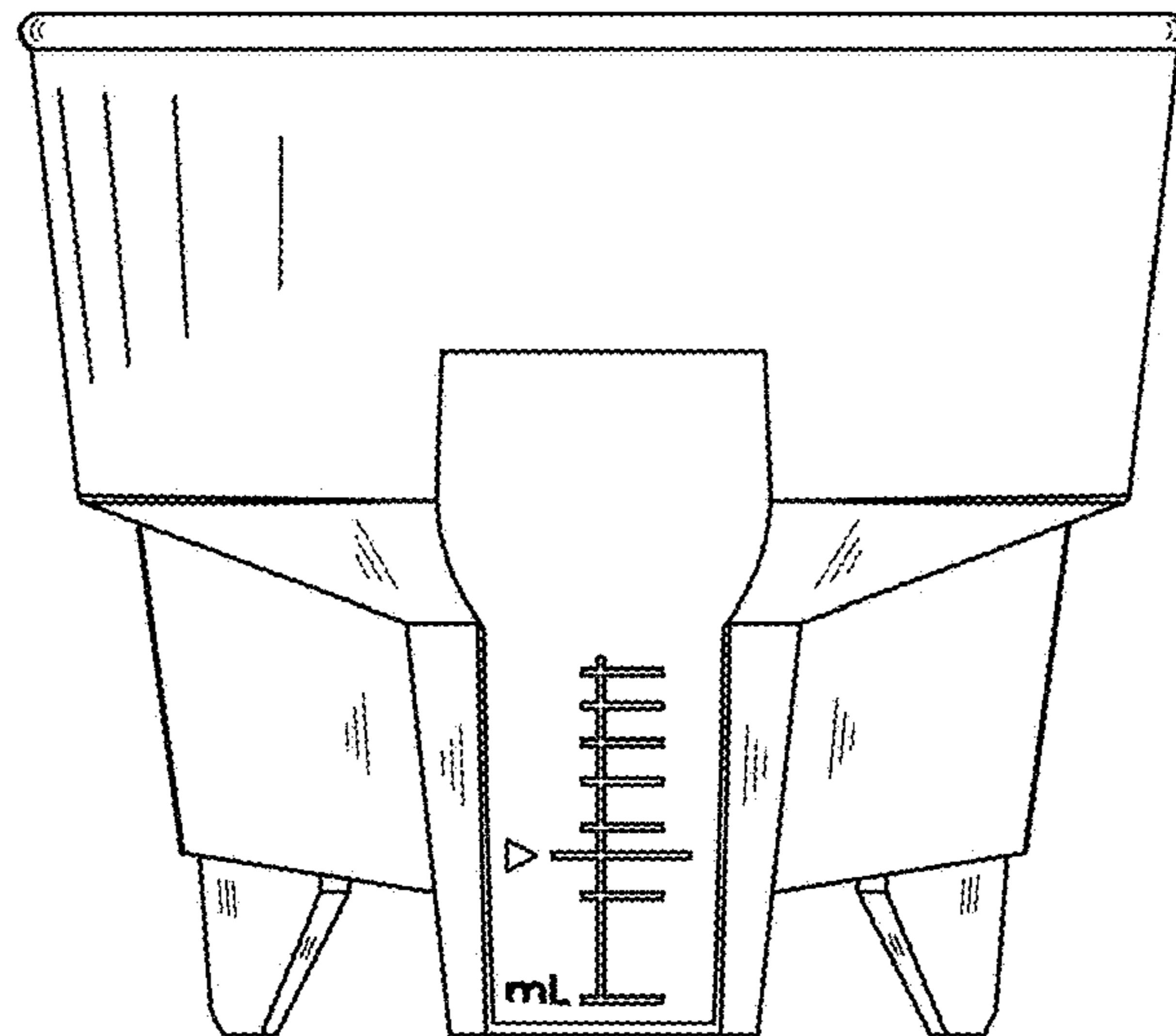


Fig. 3

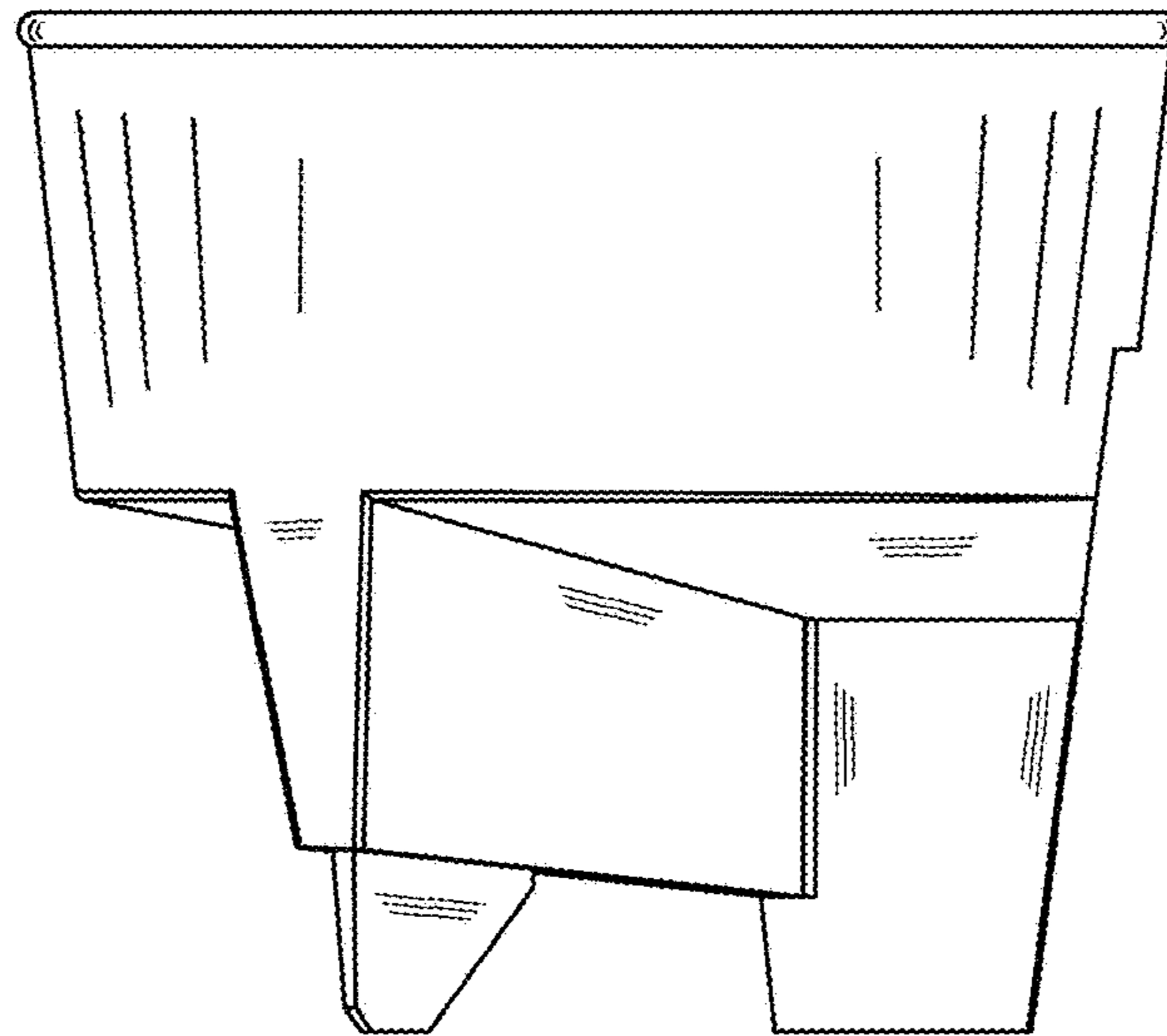


Fig. 4

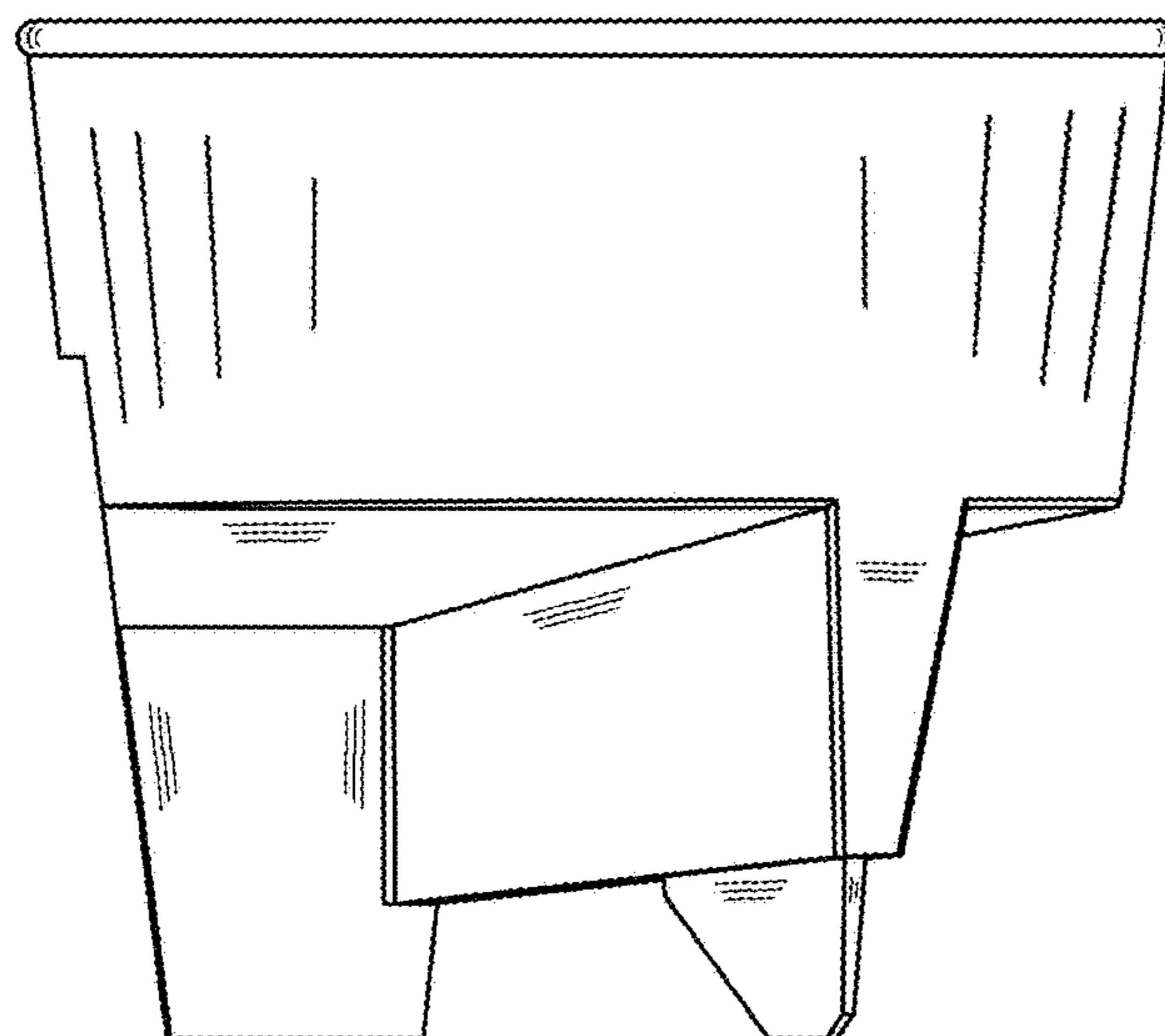


Fig. 5

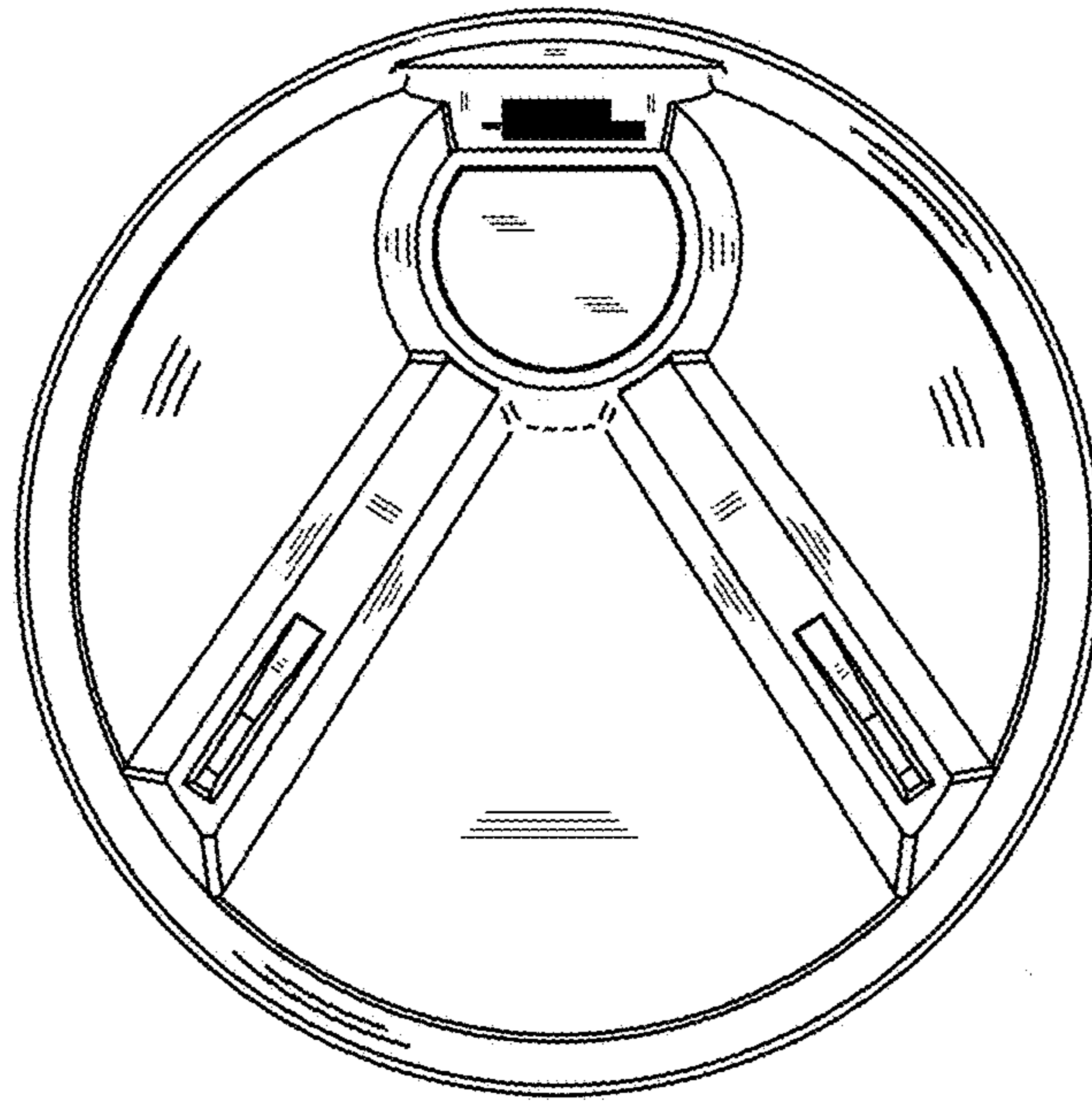


Fig. 6

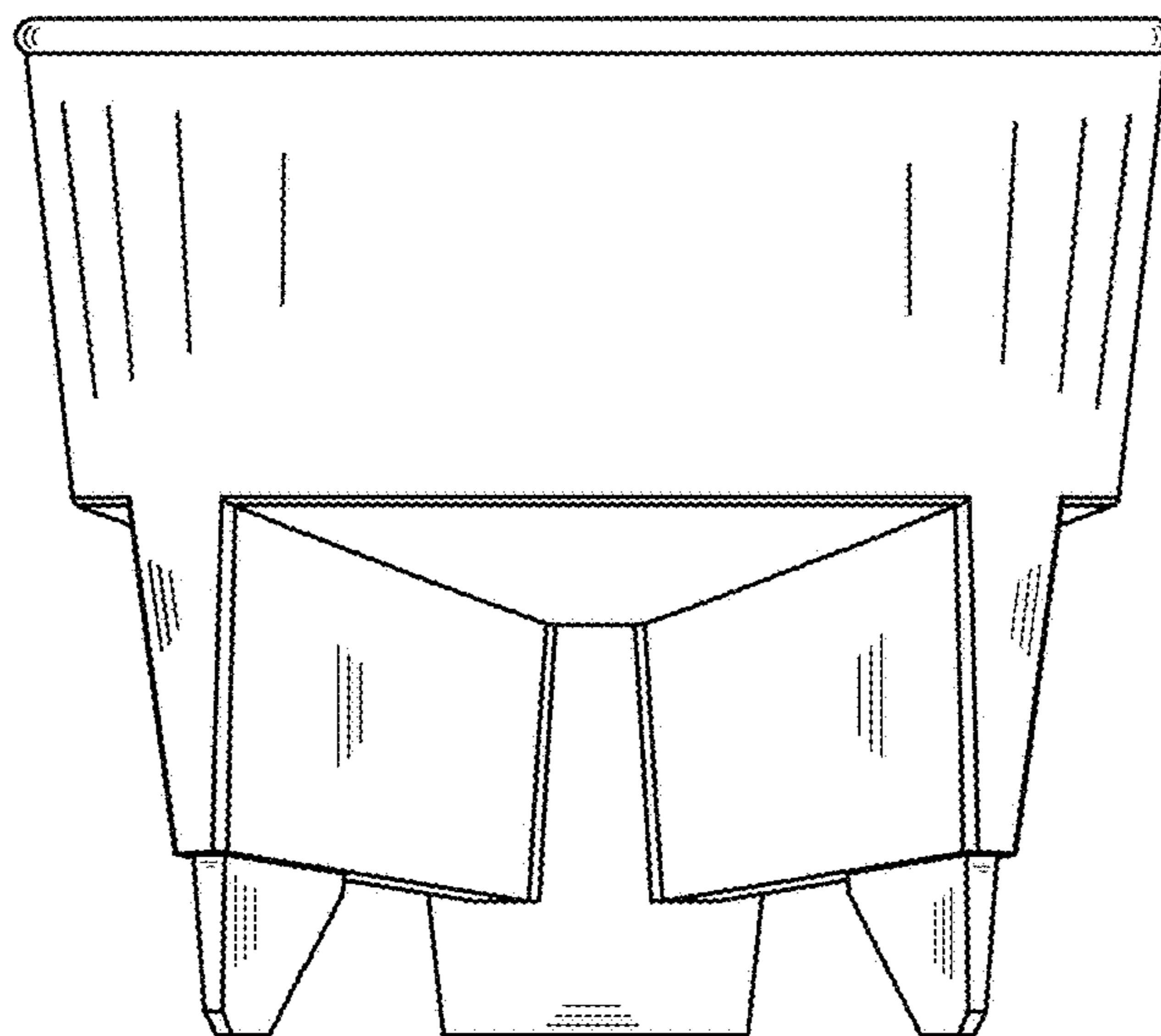


Fig. 7

