

US00D867610S

(12) **United States Design Patent**
Ohata et al.

(10) **Patent No.:** **US D867,610 S**

(45) **Date of Patent:** **** Nov. 19, 2019**

(54) **ULTRASONIC CLEANER**

(71) Applicant: **KAIJO CORPORATION**, Hamura-shi,
Tokyo (JP)

(72) Inventors: **Keisuke Ohata**, Hamura (JP); **Noriyuki Sakamoto**, Hamura (JP)

(73) Assignee: **KAIJO CORPORATION**, Hamura-shi,
Tokyo (JP)

(**) Term: **15 Years**

(21) Appl. No.: **29/645,879**

(22) Filed: **Apr. 30, 2018**

(30) **Foreign Application Priority Data**

Nov. 10, 2017 (JP) 2017-025100

(51) **LOC (12) Cl.** **24-01**

(52) **U.S. Cl.**
USPC **D24/217**

(58) **Field of Classification Search**

USPC D24/216, 217, 218, 219, 227-232;
D32/1, 25; D3/201, 203.1, 203.2, 203.3,
D3/203.4

CPC A61L 2/26; A61L 2/24; A61L 2/17; A61L
2/18; A61L 2/025; A61L 2202/122; A61L
2202/10; A61L 2202/11; A61L 2202/14;
A61L 2202/23; A61L 2202/24; A61L
2202/182

See application file for complete search history.

(56) **References Cited**

U.S. PATENT DOCUMENTS

D339,424 S * 9/1993 Riley D24/217
D543,422 S * 5/2007 Kaposi D7/674

D680,225 S * 4/2013 Boonprasop D24/217
D685,540 S * 7/2013 Yao D32/1
D748,872 S * 2/2016 Yao D32/1
D763,521 S * 8/2016 Yao D32/1
D764,068 S * 8/2016 Tipton D24/217
D778,004 S * 1/2017 Yao D32/1
D778,005 S * 1/2017 Yao D32/1
D781,509 S * 3/2017 Yao D32/1
D796,749 S * 9/2017 Kessler D32/1
D808,091 S * 1/2018 Pan D32/1
D828,654 S * 9/2018 Yao D32/1

* cited by examiner

Primary Examiner — Barbara Fox

Assistant Examiner — Mary Shannon Malley

(74) *Attorney, Agent, or Firm* — Buchanan Ingersoll &
Rooney PC

(57) **CLAIM**

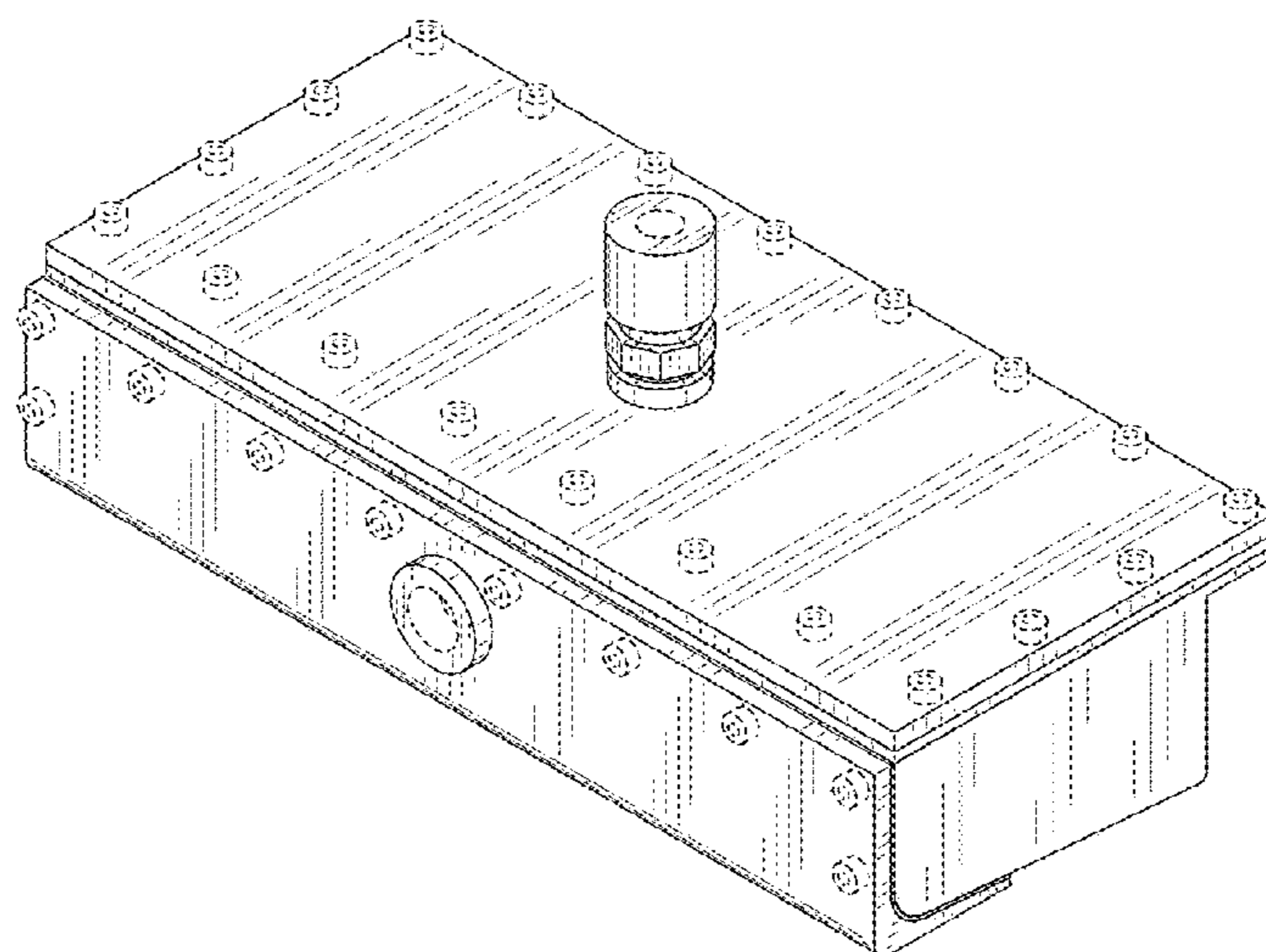
The ornamental design for an ultrasonic cleaning, as shown
and described.

DESCRIPTION

FIG. 1 is a front, right side, top perspective view of an
ultrasonic cleaning showing our new design;
FIG. 2 is a front elevational view thereof;
FIG. 3 is a rear elevational view thereof;
FIG. 4 is a left side view thereof;
FIG. 5 is a right side view thereof;
FIG. 6 is a top plan view thereof; and,
FIG. 7 is a bottom plan view.

The broken lines show portions of the ultrasonic cleaning
that form no part of the claimed design.

1 Claim, 4 Drawing Sheets



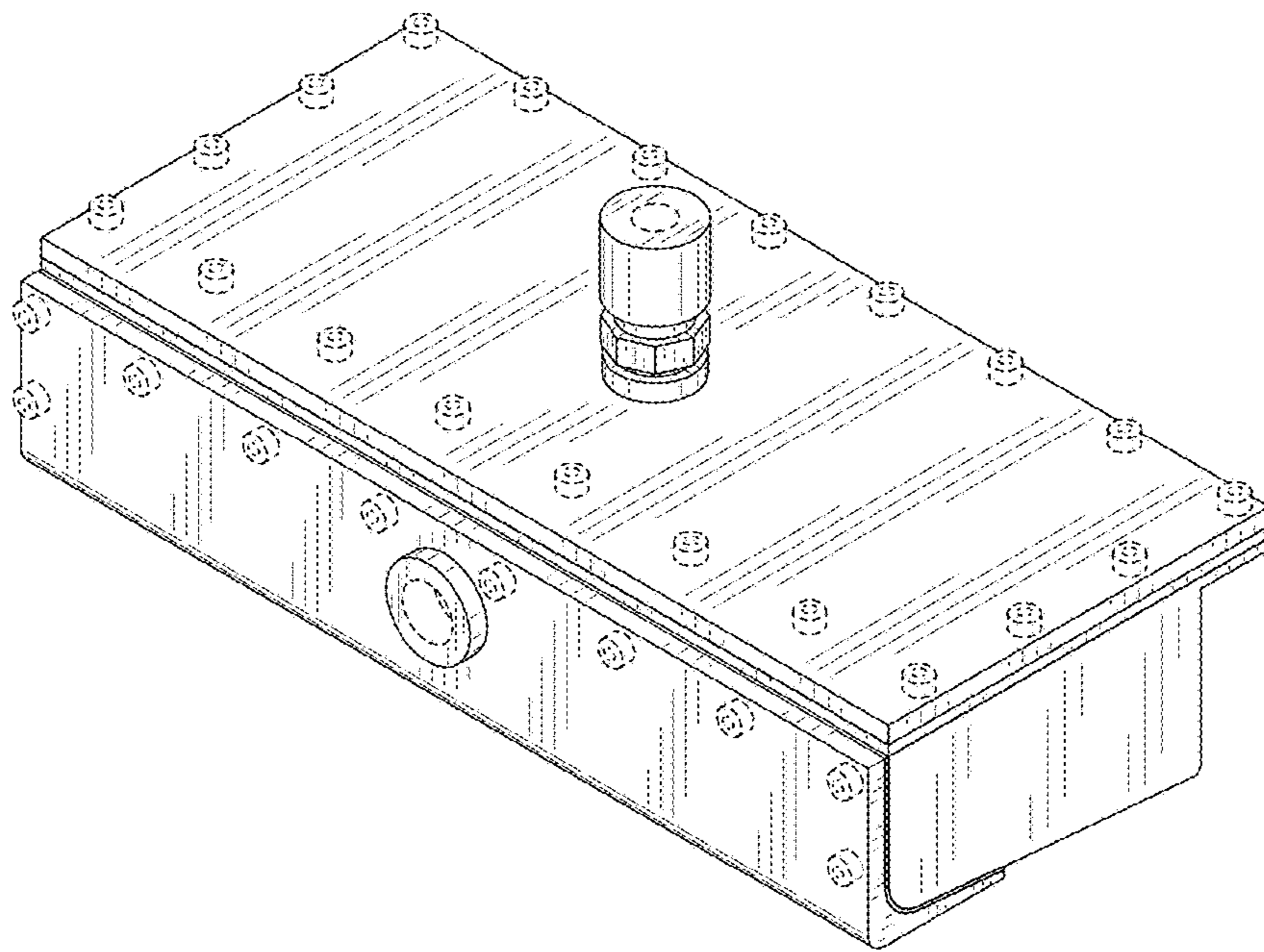


FIG. 1

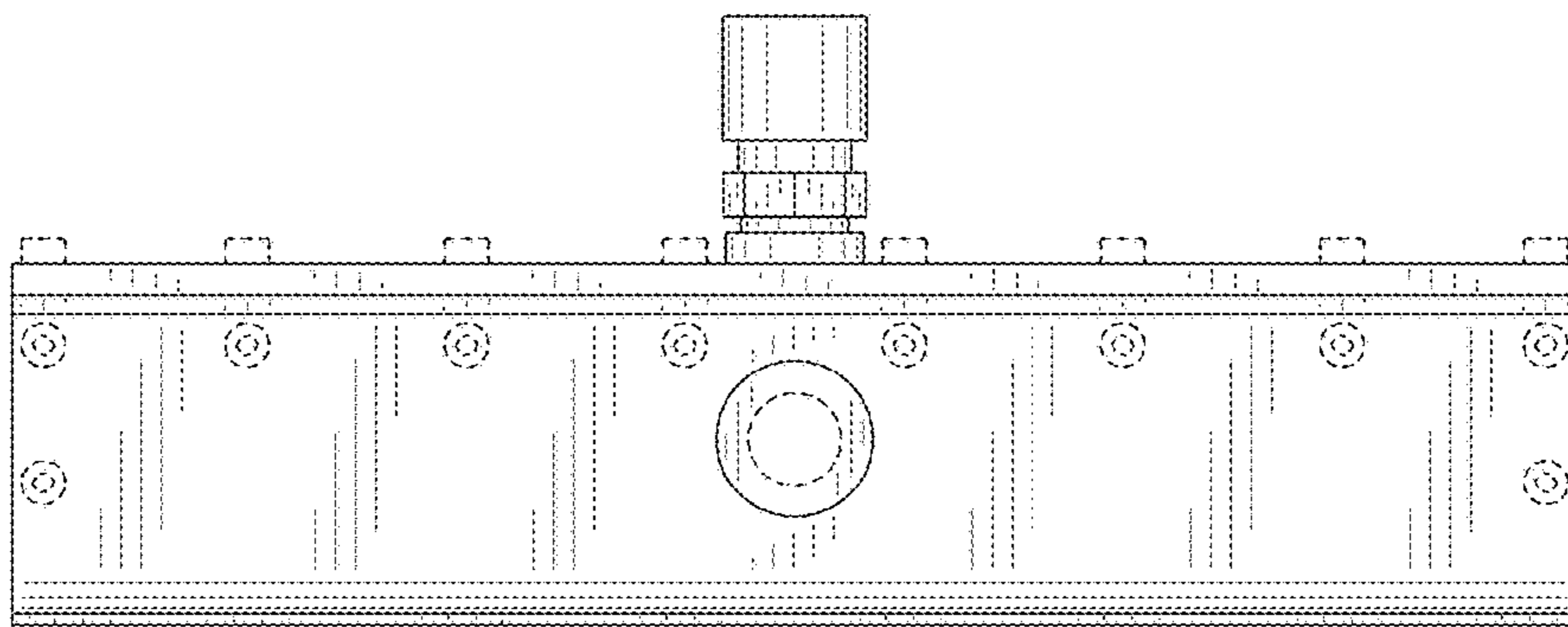


FIG. 2

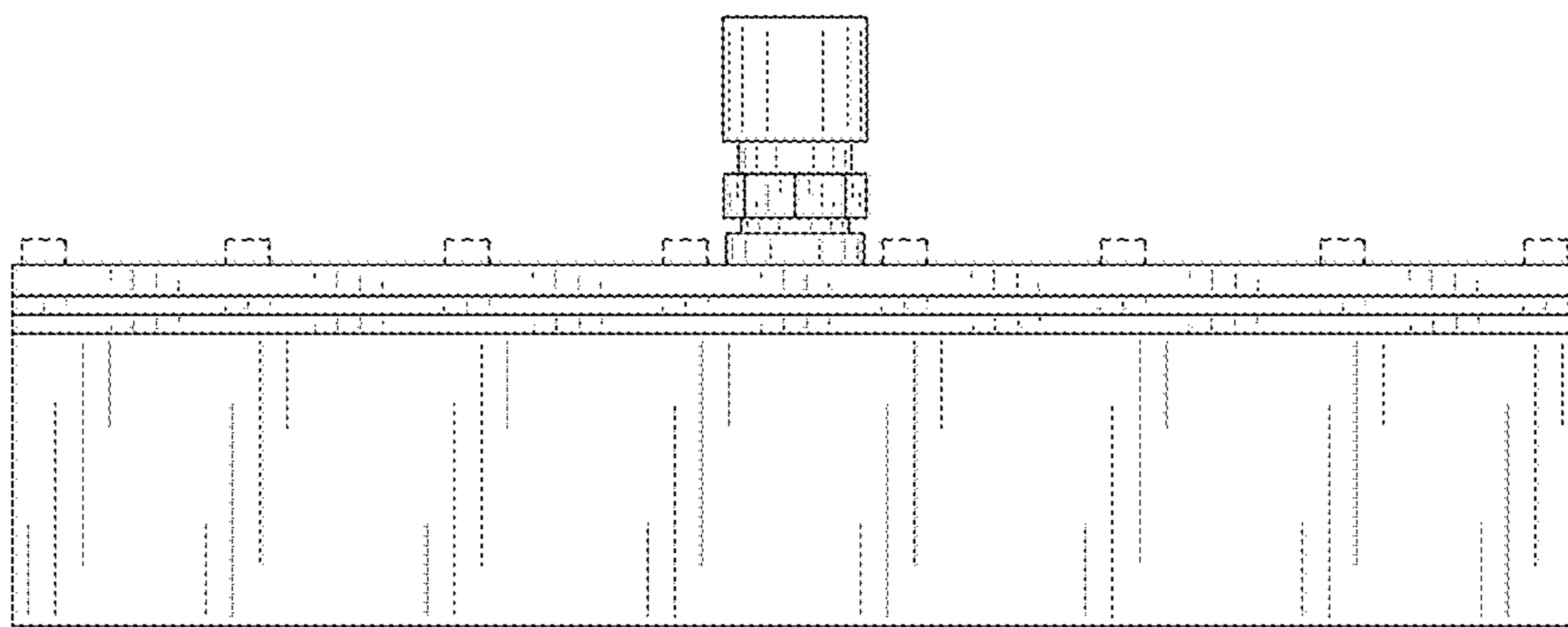


FIG. 3

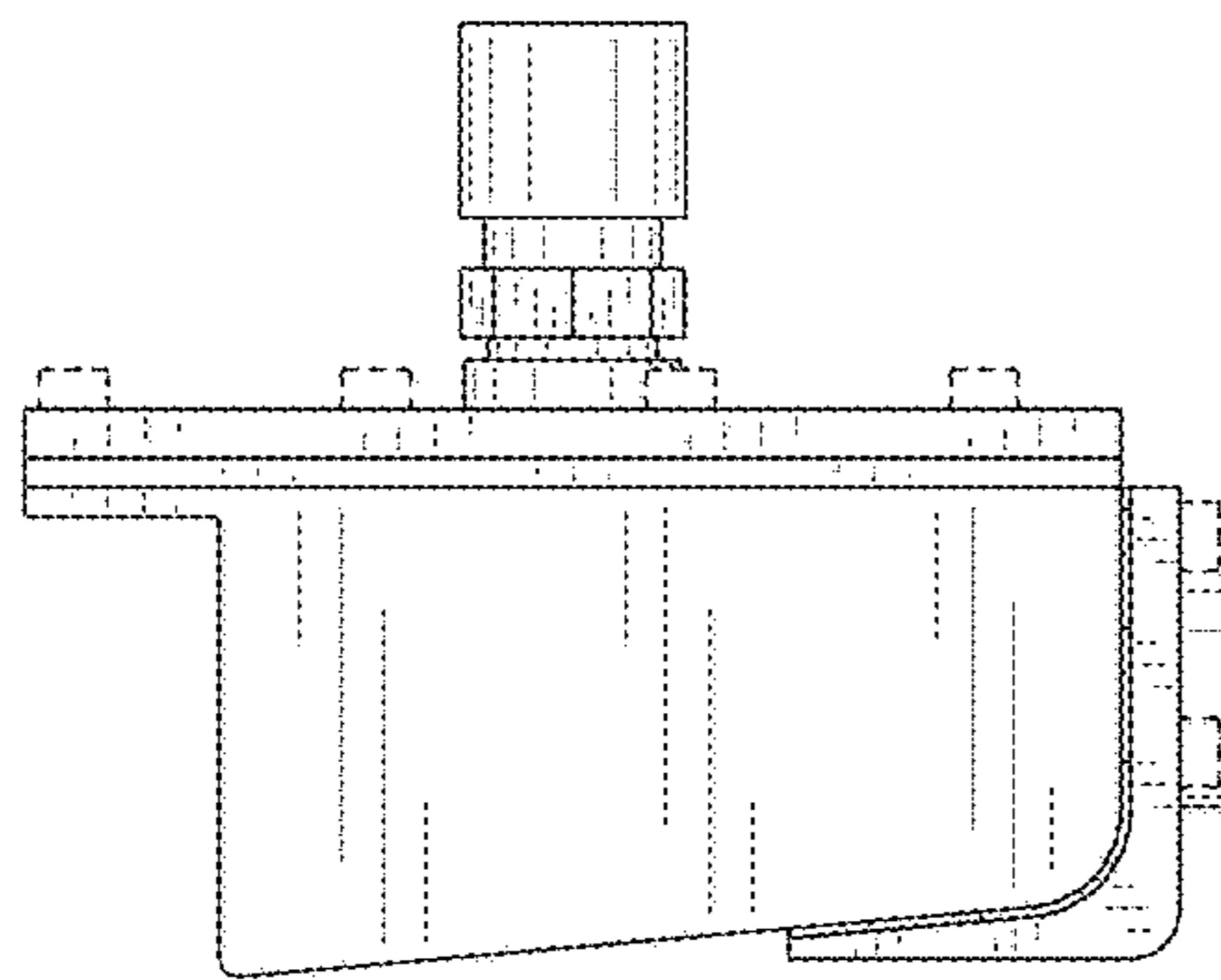


FIG. 4

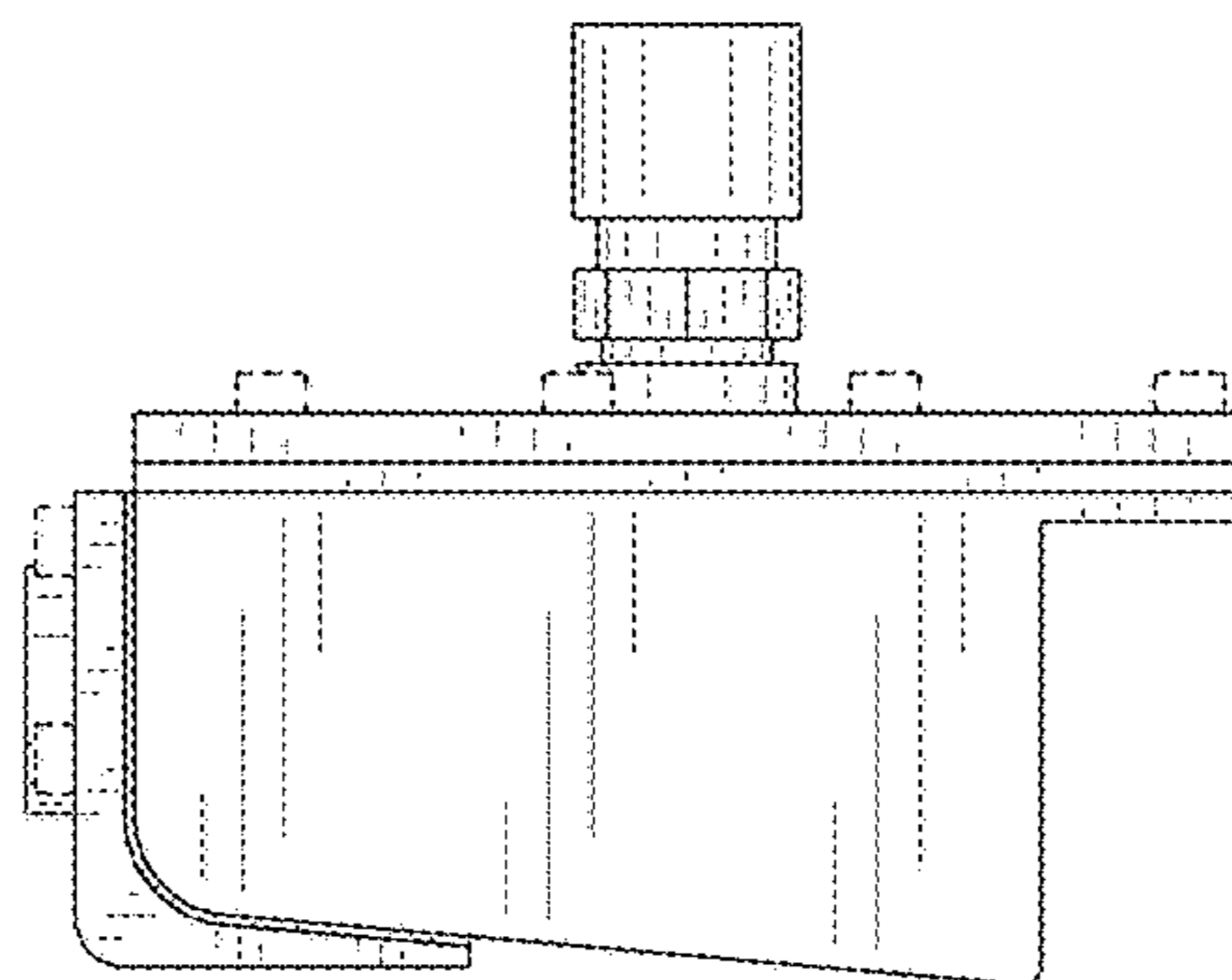


FIG. 5

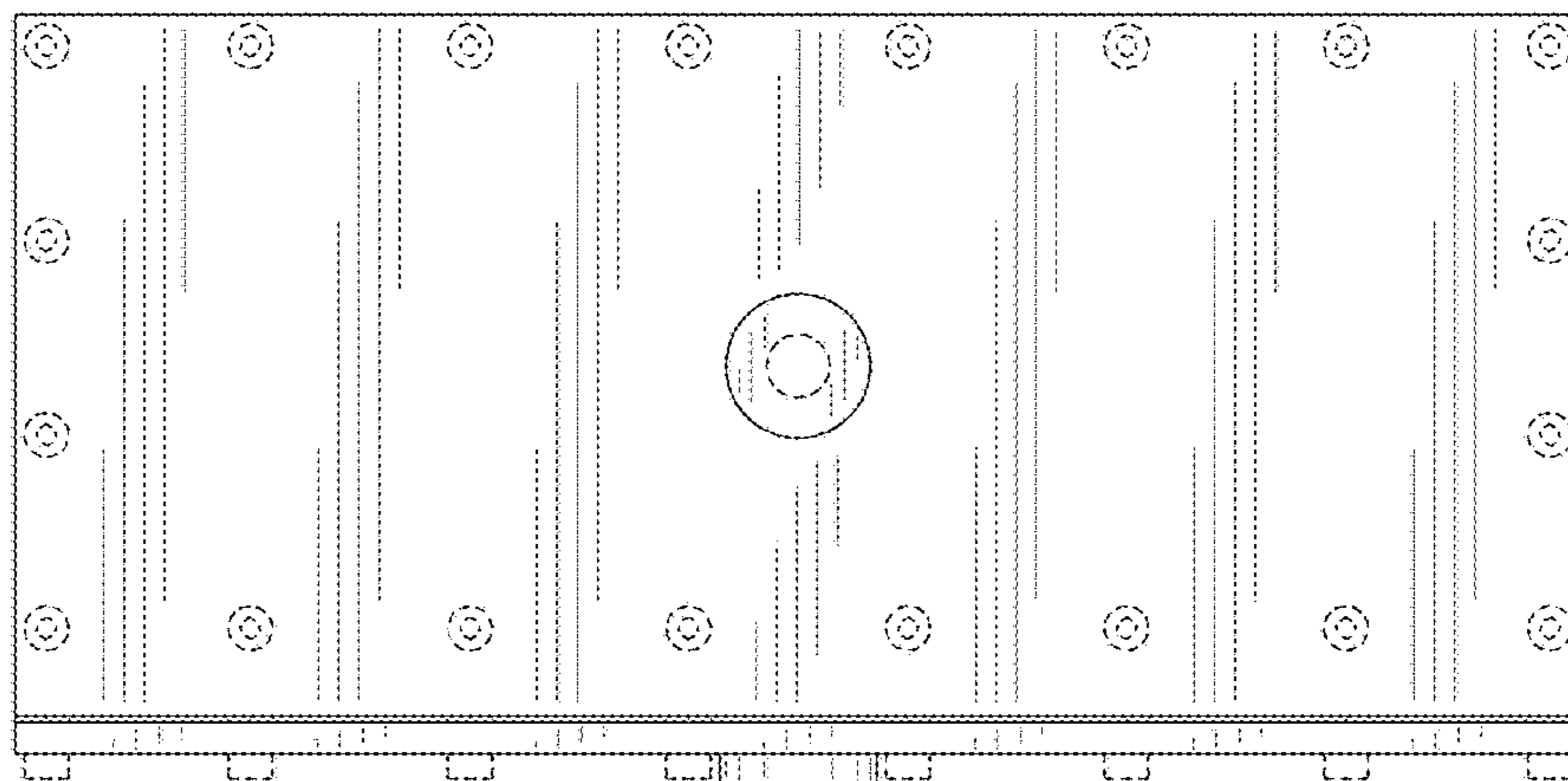


FIG. 6

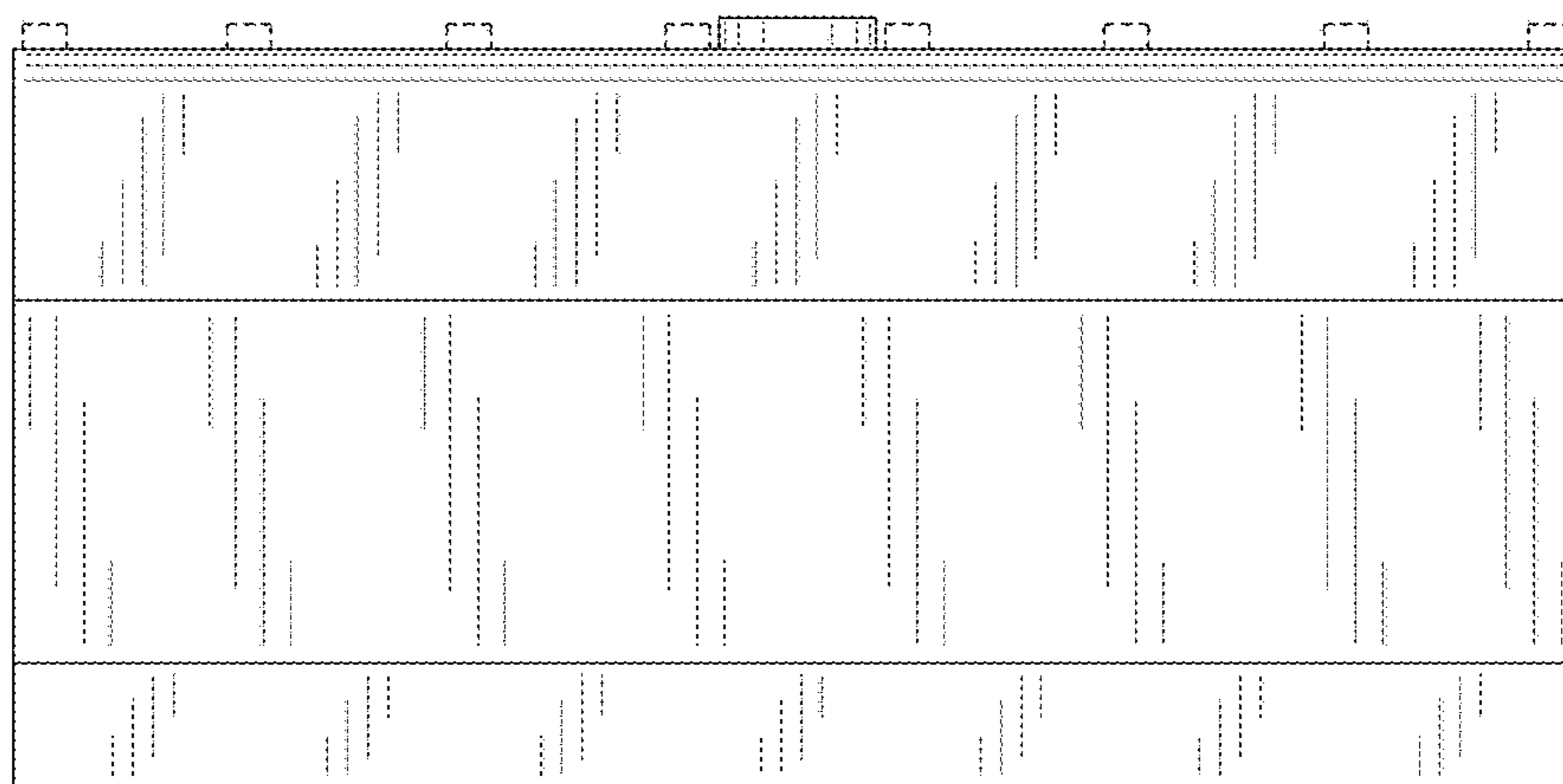


FIG. 7