



US00D867607S

(12) **United States Design Patent**
Nash

(10) **Patent No.:** **US D867,607 S**

(45) **Date of Patent:** **** Nov. 19, 2019**

(54) **MESSAGE APPARATUS**

(71) Applicant: **3RD WHEEL PRODUCTIONS PTY LTD**, Alderley (AU)

(72) Inventor: **Paul Nash**, Alderley (AU)

(**) Term: **15 Years**

(21) Appl. No.: **29/643,343**

(22) Filed: **Apr. 6, 2018**

(30) **Foreign Application Priority Data**

Oct. 6, 2017 (AU) 201716150

(51) **LOC (12) Cl.** **28-03**

(52) **U.S. Cl.**
USPC **D24/200**

(58) **Field of Classification Search**
USPC D24/200, 214–215; D21/686; 601/68,
601/118, 125–127, 130, 135–137
CPC .. A61H 15/00; A61H 1/00; A61H 2201/0138;
A61H 15/0092
See application file for complete search history.

(56) **References Cited**

U.S. PATENT DOCUMENTS

- 5,554,102 A * 9/1996 Chiou A61H 15/0092
601/118
- 5,711,758 A * 1/1998 Tseng A61H 15/0085
601/125
- D395,088 S * 6/1998 Wiggs, Sr. D24/214
- D824,036 S * 7/2018 Hu D24/200
- 2004/0127823 A1 * 7/2004 Mori A61H 1/00
601/99

- 2007/0142755 A1 * 6/2007 Kleiman A61H 15/0092
601/118
- 2011/0137218 A1 * 6/2011 Collins A61H 15/00
601/118
- 2012/0150082 A1 * 6/2012 Davis A61H 15/0092
601/118

* cited by examiner

Primary Examiner — Wan Laymon

(74) *Attorney, Agent, or Firm* — Law Office of Jeff Williams PLLC; J. Oliver Williams

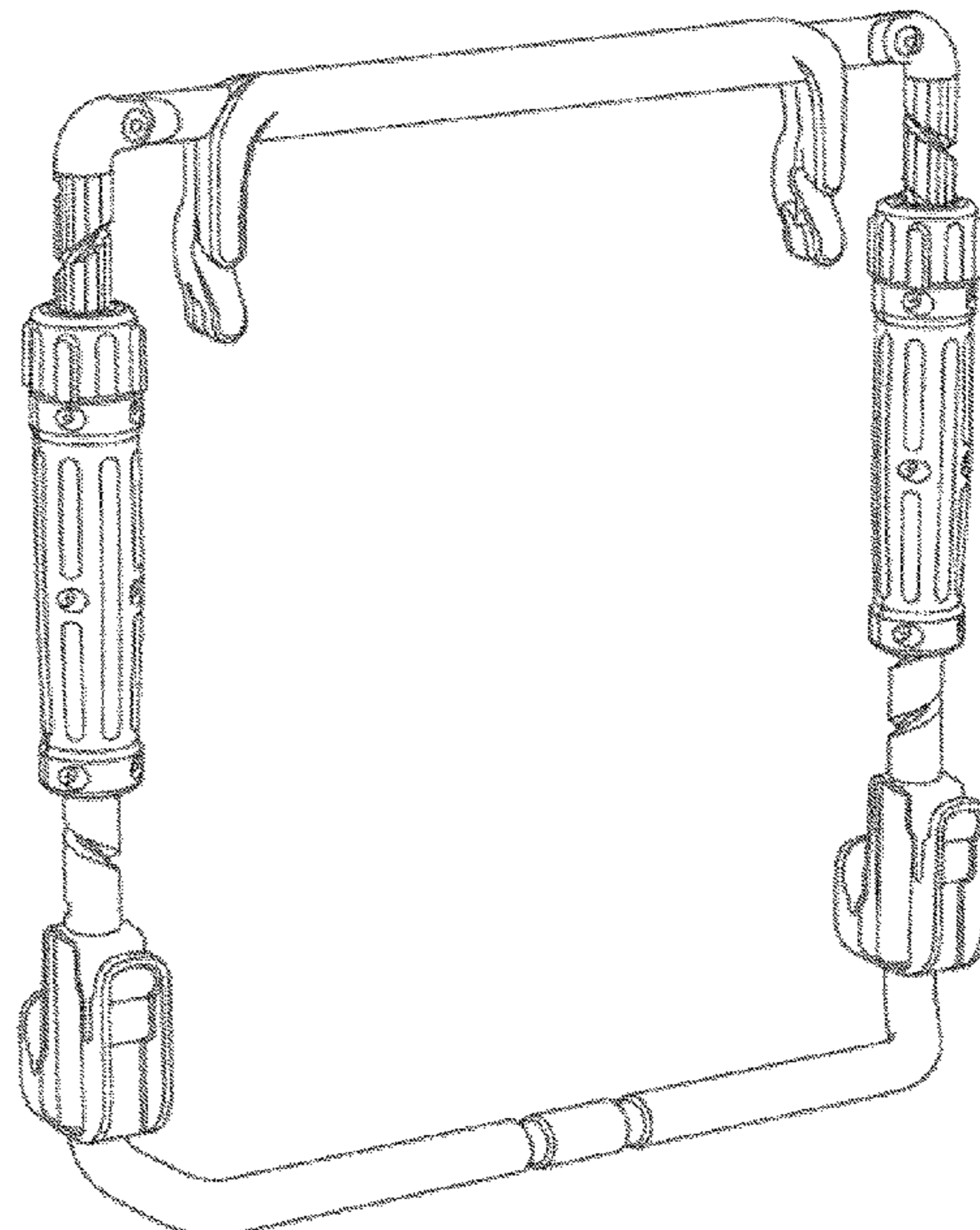
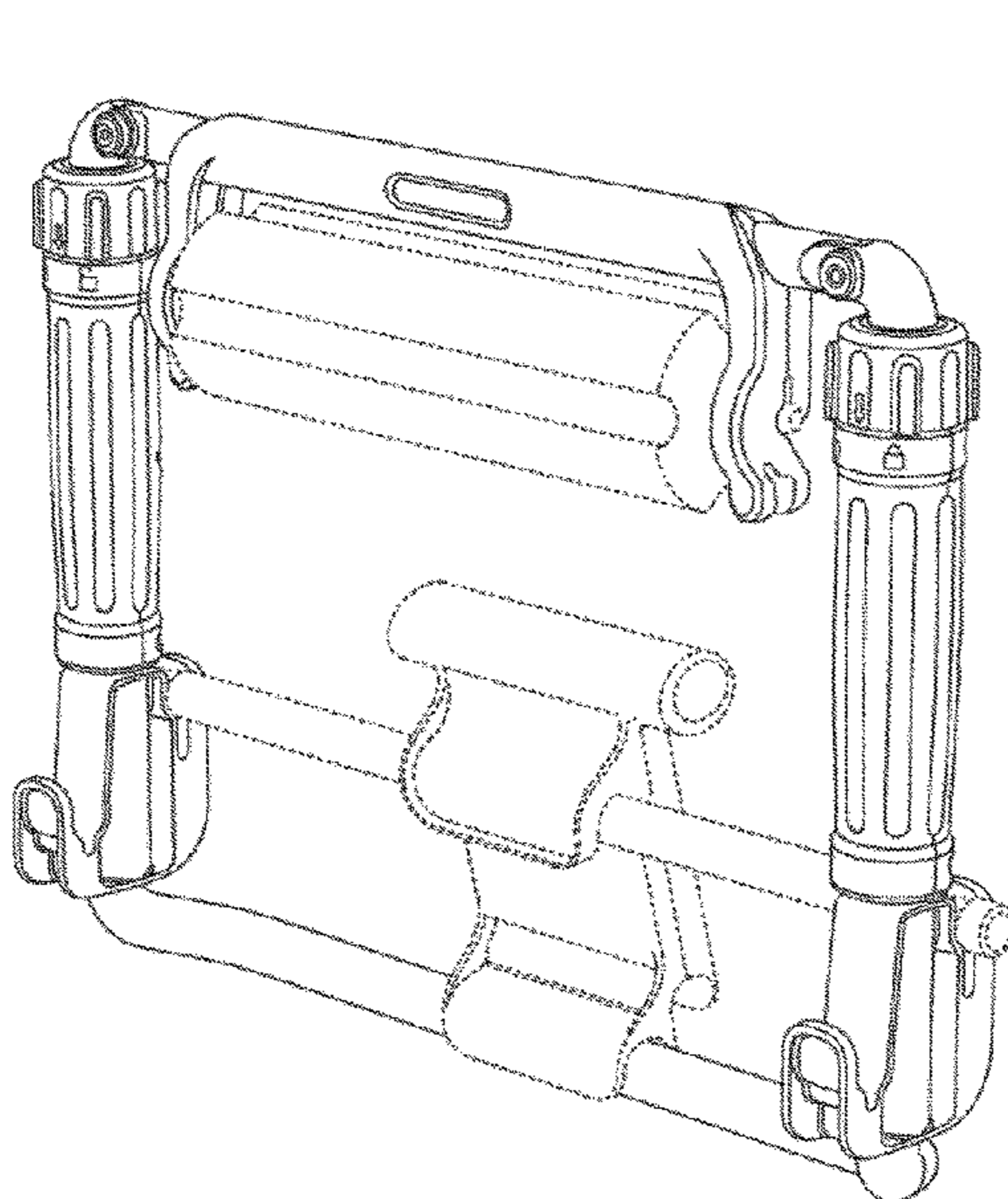
(57) **CLAIM**

The ornamental design for a massage apparatus, as shown and described.

DESCRIPTION

FIG. 1 is a front perspective view of a massage apparatus according to the present application.
 FIG. 2 is a secondary front perspective view of the massage apparatus of FIG. 1.
 FIG. 3 is a rear perspective view of the massage apparatus of FIG. 2.
 FIG. 4 is a front view of the massage apparatus of FIG. 2.
 FIG. 5 is a rear view of the massage apparatus of FIG. 2.
 FIG. 6 is a left view of the massage apparatus of FIG. 2.
 FIG. 7 is a right view of the massage apparatus of FIG. 2.
 FIG. 8 is a top view of the massage apparatus of FIG. 2.
 FIG. 9 is a bottom view of the massage apparatus of FIG. 2.
 FIG. 10 is an alternate front perspective view of the massage apparatus of FIG. 2; and,
 FIG. 11 is an alternate rear perspective view of the massage apparatus of FIG. 3.
 The broken lines are included for the purpose of illustrating environmental structure and form no part of the claimed design.

1 Claim, 10 Drawing Sheets



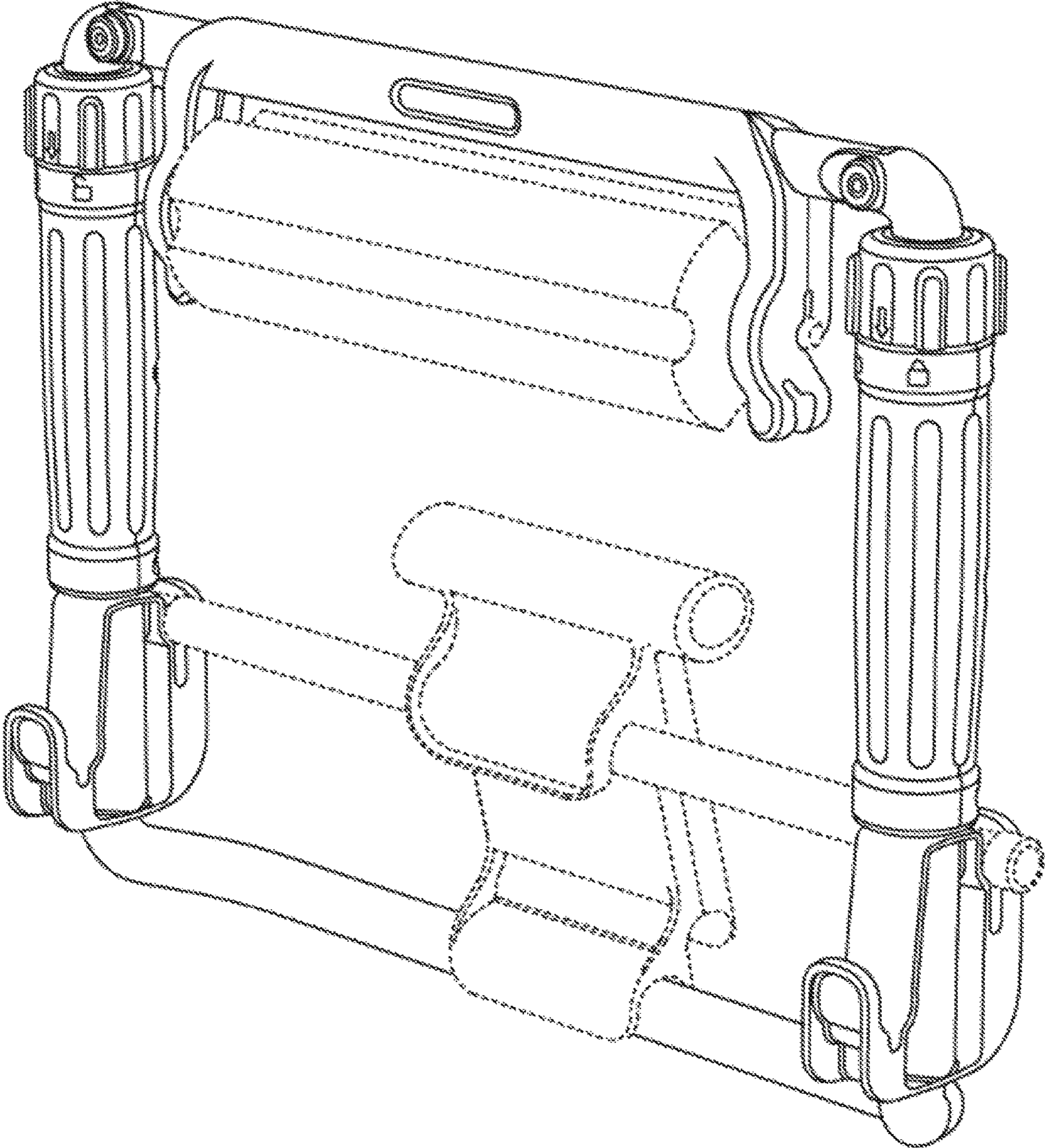


FIG. 1

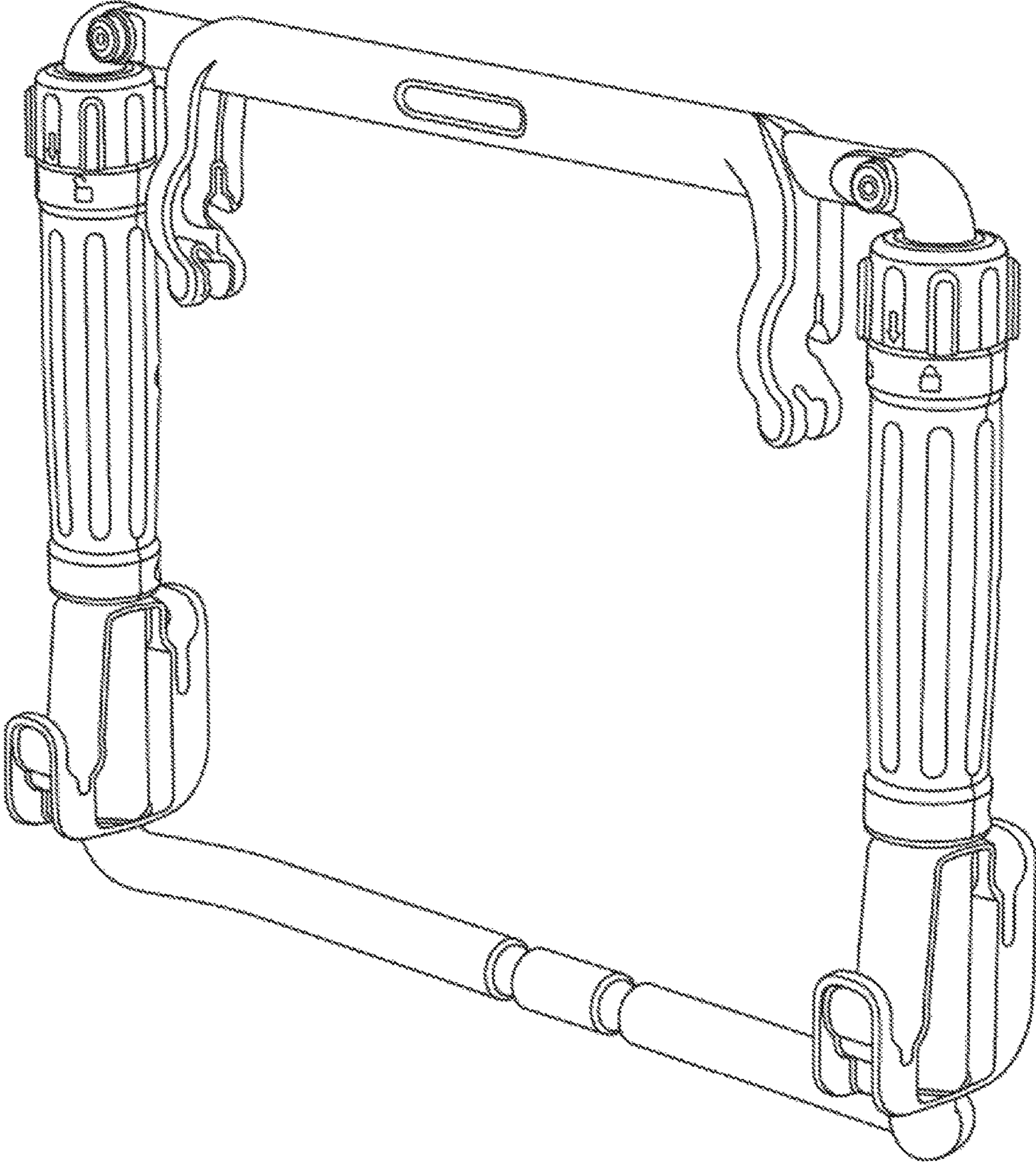


FIG. 2

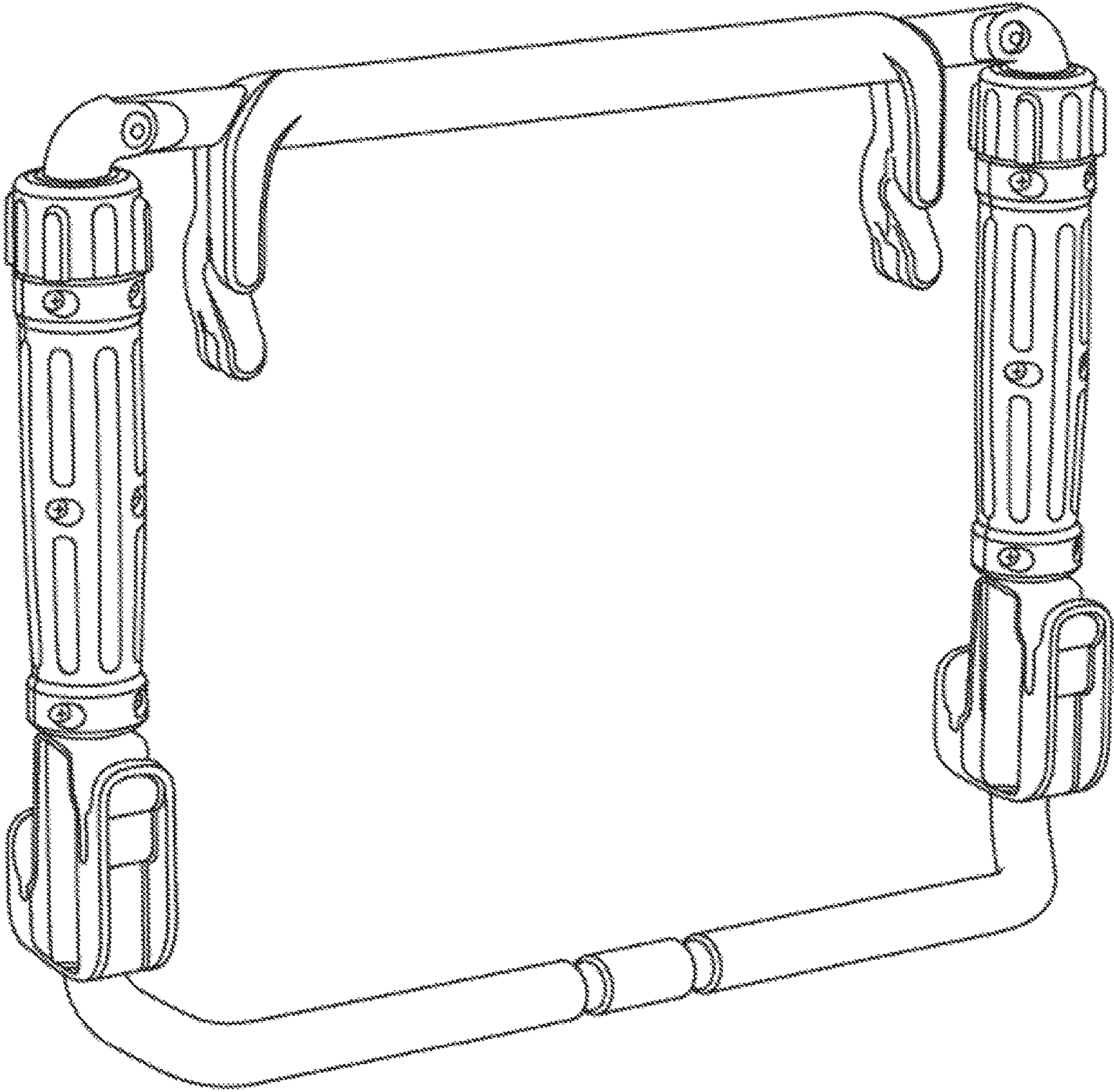


FIG. 3

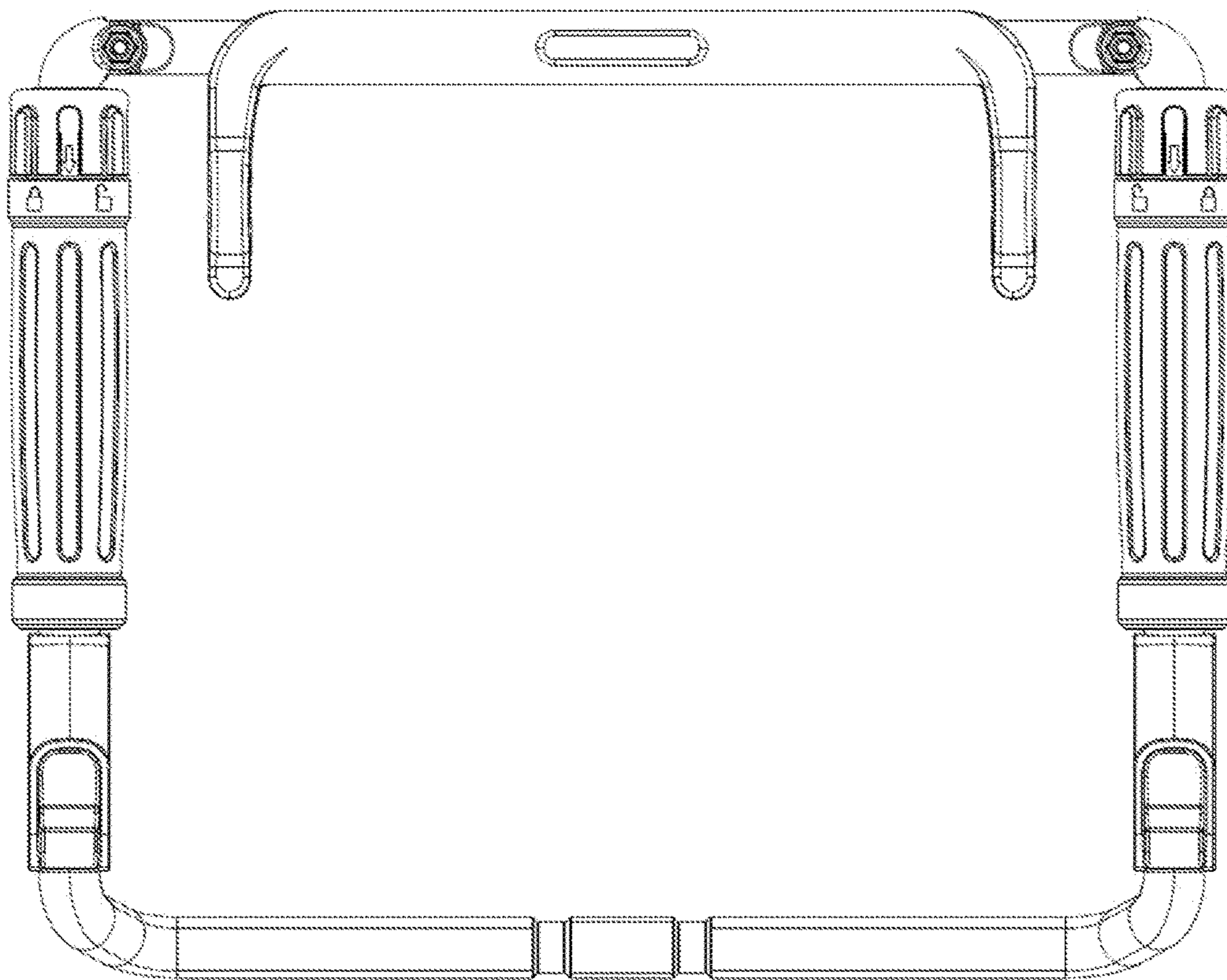


FIG. 4

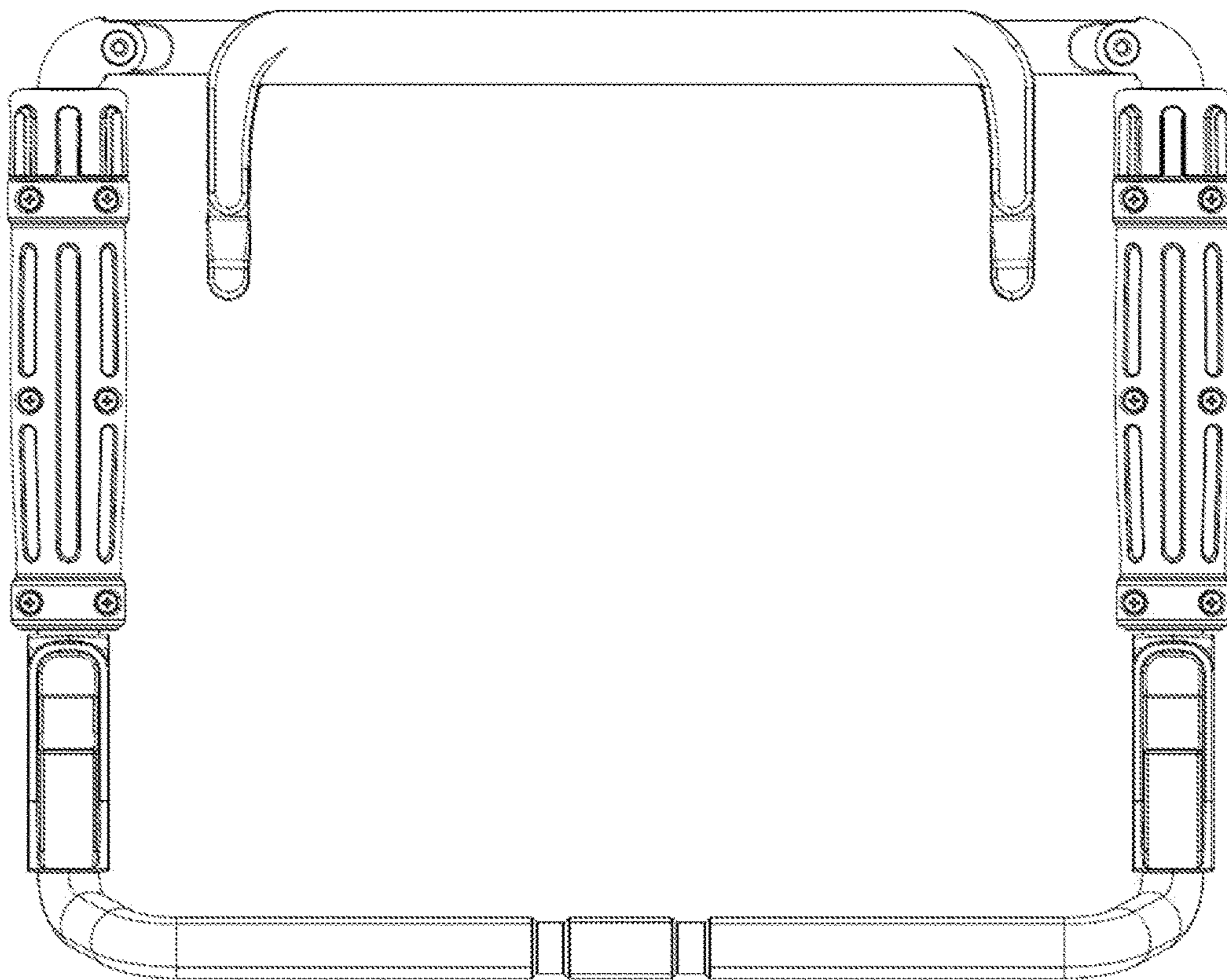


FIG. 5

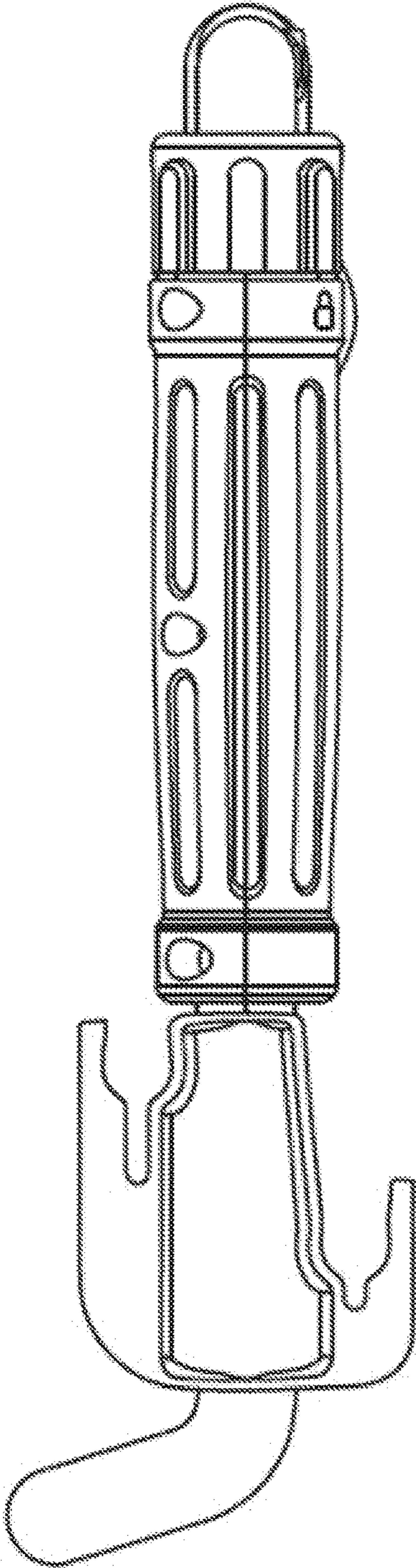


FIG. 6

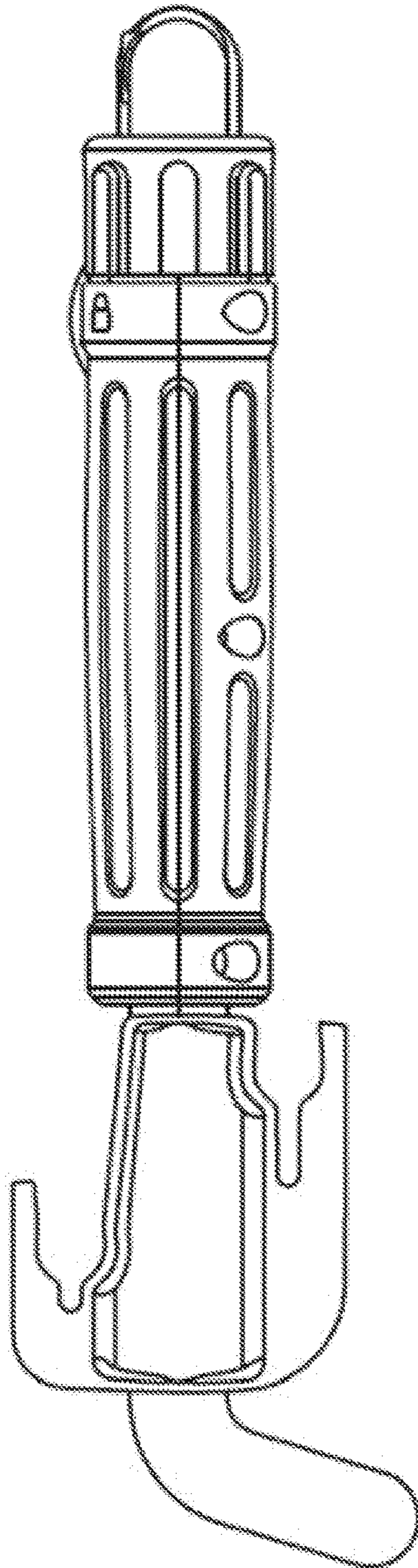


FIG. 7

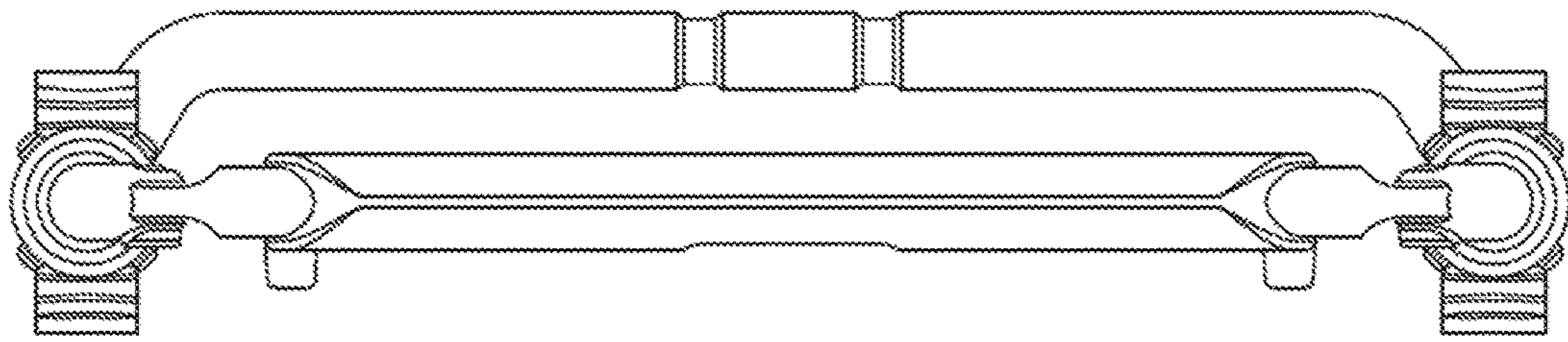


FIG. 8

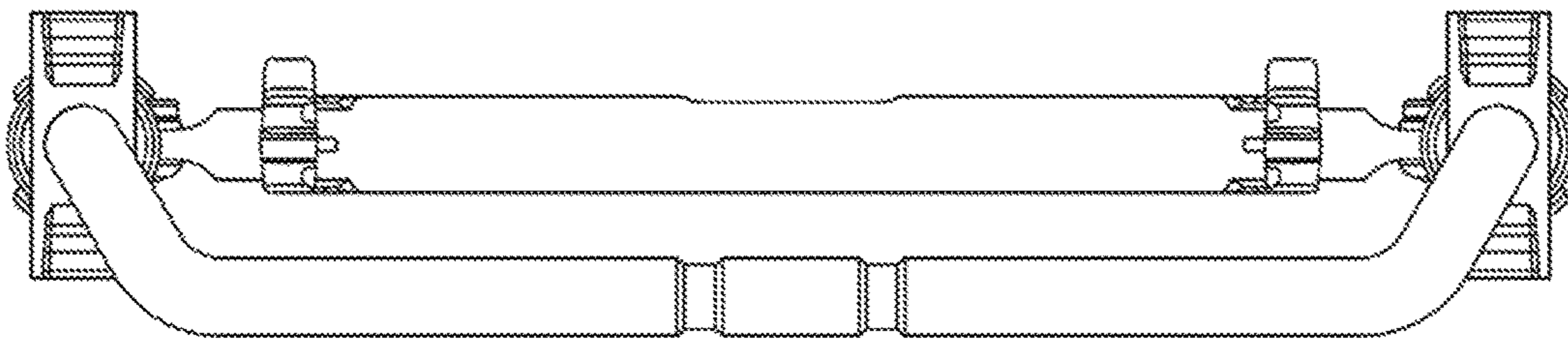


FIG. 9

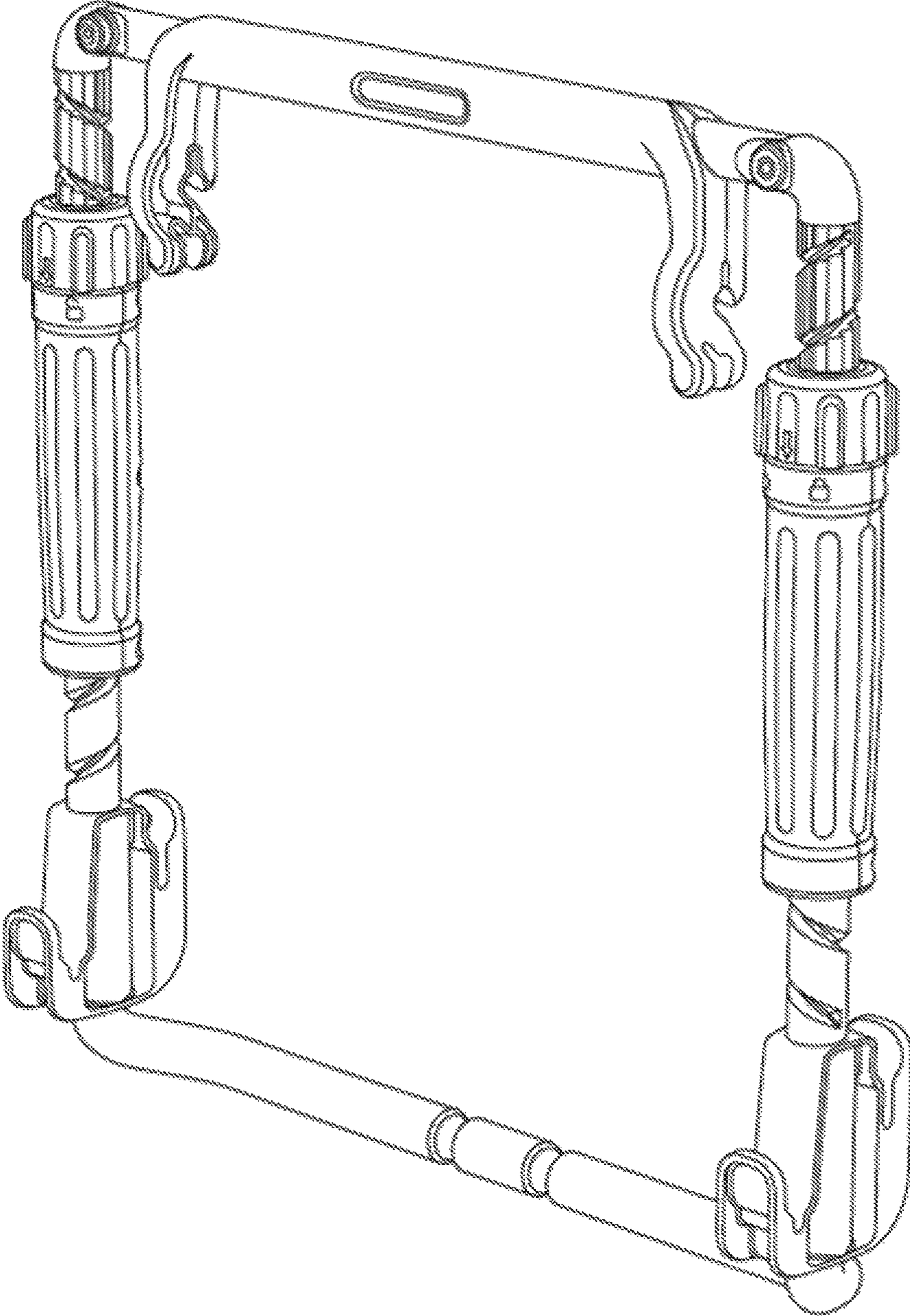


FIG. 10

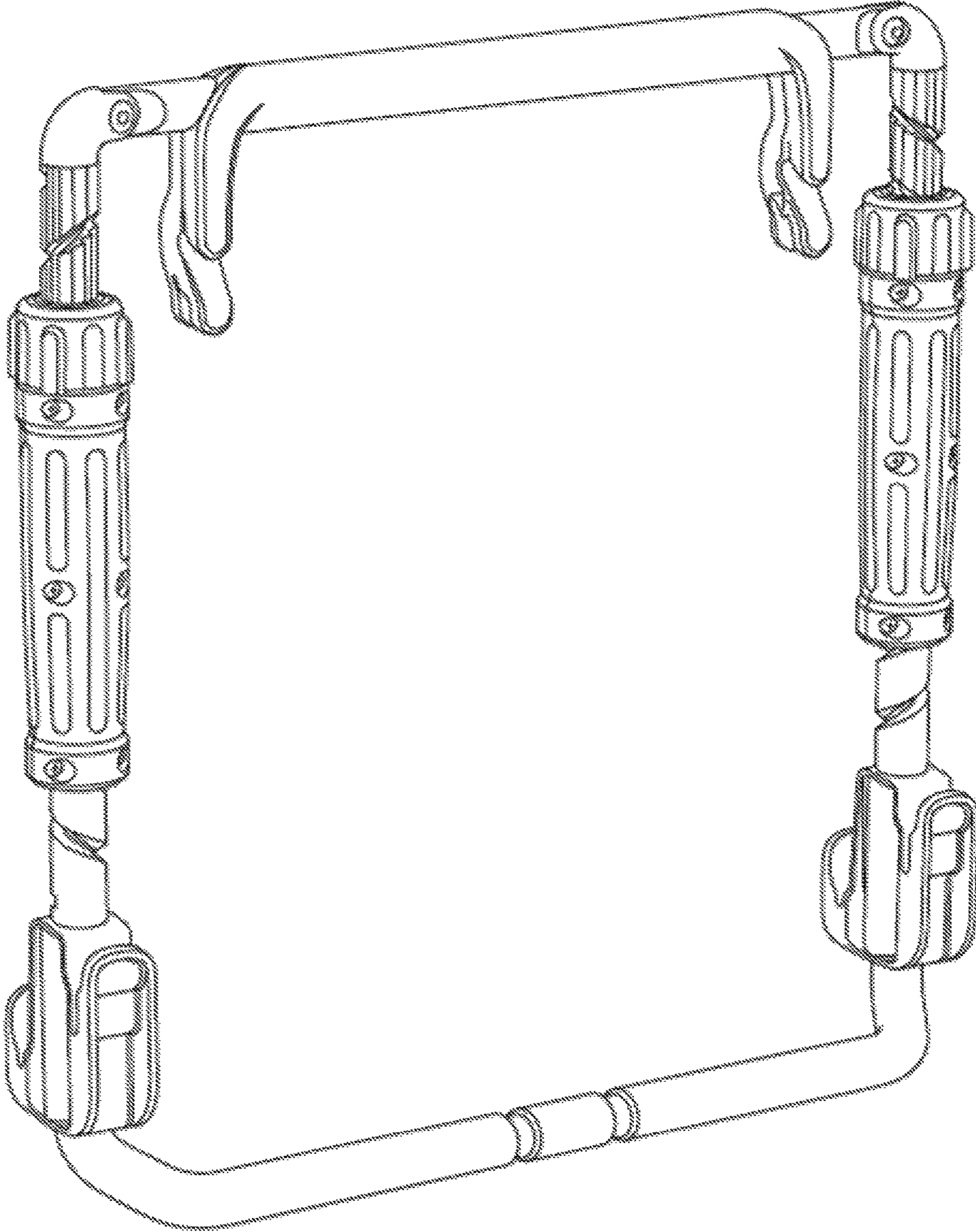


FIG. 11