

US00D867598S

(12) **United States Design Patent** (10) **Patent No.:** **US D867,598 S**  
**Qin et al.** (45) **Date of Patent:** **\*\* Nov. 19, 2019**

(54) **TOOTH WHITENING APPARATUS**

(71) Applicant: **Nanchang Dental Bright Technology Co., Ltd.**, Nanchang, Jiangxi Province (CN)

(72) Inventors: **Junyuan Qin**, Nanchang (CN);  
**Xiaomin Zhong**, Nanchang (CN)

(73) Assignee: **Nanchang Dental Bright Technology Co., Ltd.**, Nanchang (CN)

(\*\*) Term: **15 Years**

(21) Appl. No.: **29/666,166**

(22) Filed: **Oct. 10, 2018**

(30) **Foreign Application Priority Data**

Jun. 23, 2018 (CN) ..... 2018 3 0326331

(51) **LOC (12) Cl.** ..... **24-02**

(52) **U.S. Cl.**  
USPC ..... **D24/176; D24/181**

(58) **Field of Classification Search**  
USPC ..... D24/176-182, 108; D29/108; 433/215,  
433/217.1  
CPC ..... A61C 19/06; A61C 19/063; A61C 19/066;  
A61N 5/06; A61N 5/0603; A61N 5/0613;  
A61N 2005/0606

See application file for complete search history.

(56) **References Cited**

**U.S. PATENT DOCUMENTS**

8,940,033 B2 \* 1/2015 Dwyer ..... A61C 19/066  
362/249.02  
D795,439 S \* 8/2017 Mounce ..... D24/181  
D795,440 S \* 8/2017 Way ..... D24/181  
9,901,744 B2 \* 2/2018 Demarest ..... A61N 5/0603  
D849,956 S \* 5/2019 Demarest ..... D24/176

2003/0194383 A1 \* 10/2003 Gentile ..... A61C 19/063  
424/53  
2006/0019214 A1 \* 1/2006 Lawrence ..... A61C 19/06  
433/29  
2013/0052613 A1 \* 2/2013 Chetiar ..... A61C 19/066  
433/216

(Continued)

**FOREIGN PATENT DOCUMENTS**

EM 006530259-0001 \* 5/2019  
GB 6024823 \* 1/2018

**OTHER PUBLICATIONS**

AuraGlow Teeth Whitening Kit, LED Light, 35% Carbamide Peroxide, (2) 5ml Gel Syringes, Tray and Case by AuraGlow. 2016. Retrieved on Aug. 20, 2019. Retrieved from the Internet:https://www.amazon.com/dp/B00YI5VJW6/?tag=gearbeacon-20.\*

*Primary Examiner* — Wan Laymon

(74) *Attorney, Agent, or Firm* — Banner & Witcoff, Ltd.

(57) **CLAIM**

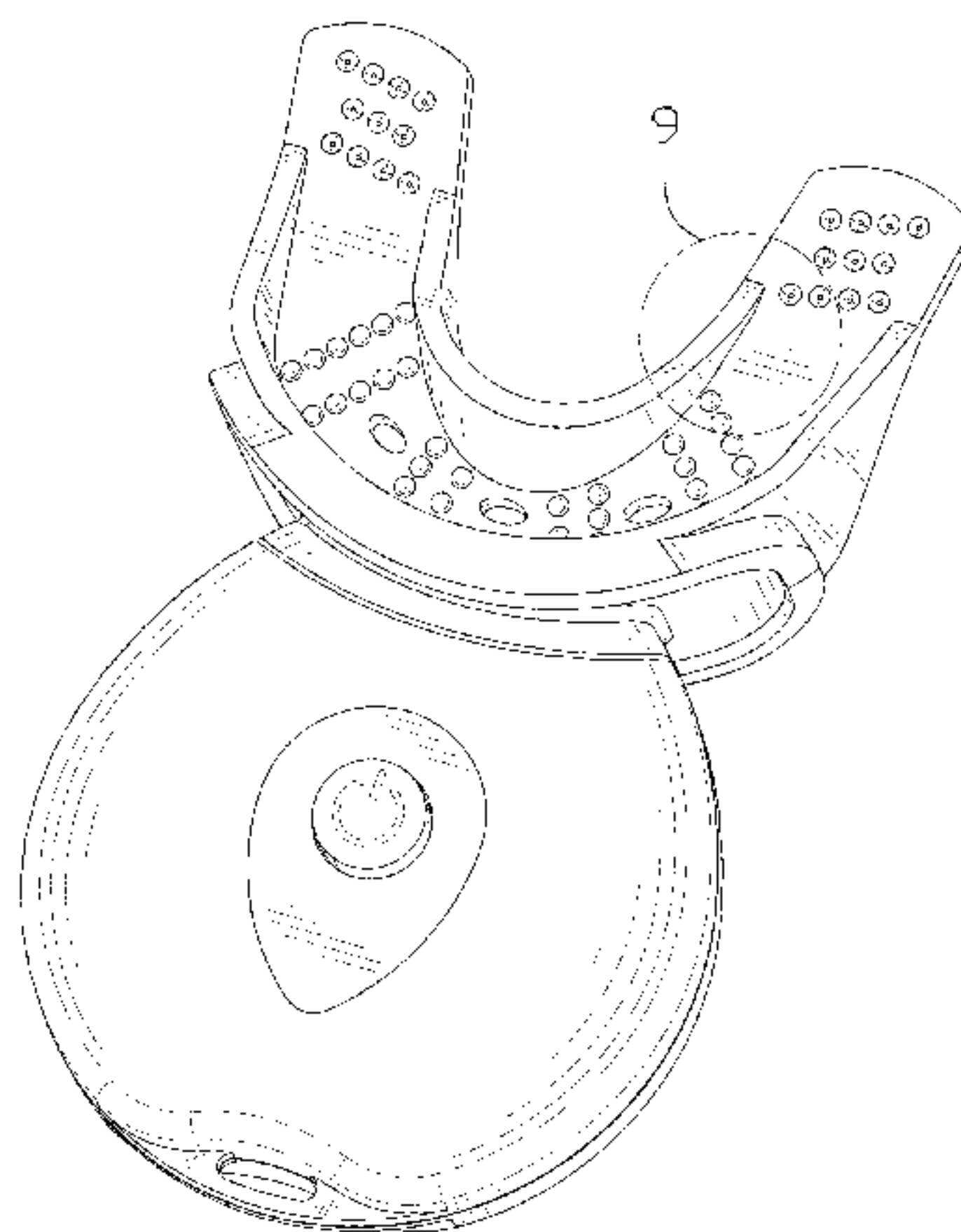
The ornamental design for a tooth whitening apparatus, as shown and described.

**DESCRIPTION**

FIG. 1 is a top perspective view of a tooth whitening apparatus showing our new design;  
FIG. 2 is a bottom perspective view thereof;  
FIG. 3 is a top view thereof;  
FIG. 4 is a bottom view thereof;  
FIG. 5 is a side view thereof;  
FIG. 6 is a side view of the opposite side thereof;  
FIG. 7 is a rear view thereof;  
FIG. 8 is a front view thereof; and,  
FIG. 9 is an enlarged view of the encircled region depicted in FIG. 1.

The even-length broken lines depicting the remainder of the tooth whitening apparatus show features that form no part of

(Continued)



the claimed design. The uneven-length broken lines shown in FIG. 9 form no part of the claimed design.

**1 Claim, 9 Drawing Sheets**

(56) **References Cited**

U.S. PATENT DOCUMENTS

2015/0132709	A1*	5/2015	Park .....	A61N 5/0603
				433/29
2017/0173358	A1*	6/2017	Demarest .....	A61N 5/0603
2018/0125627	A1*	5/2018	Mounce .....	A61C 19/066

\* cited by examiner

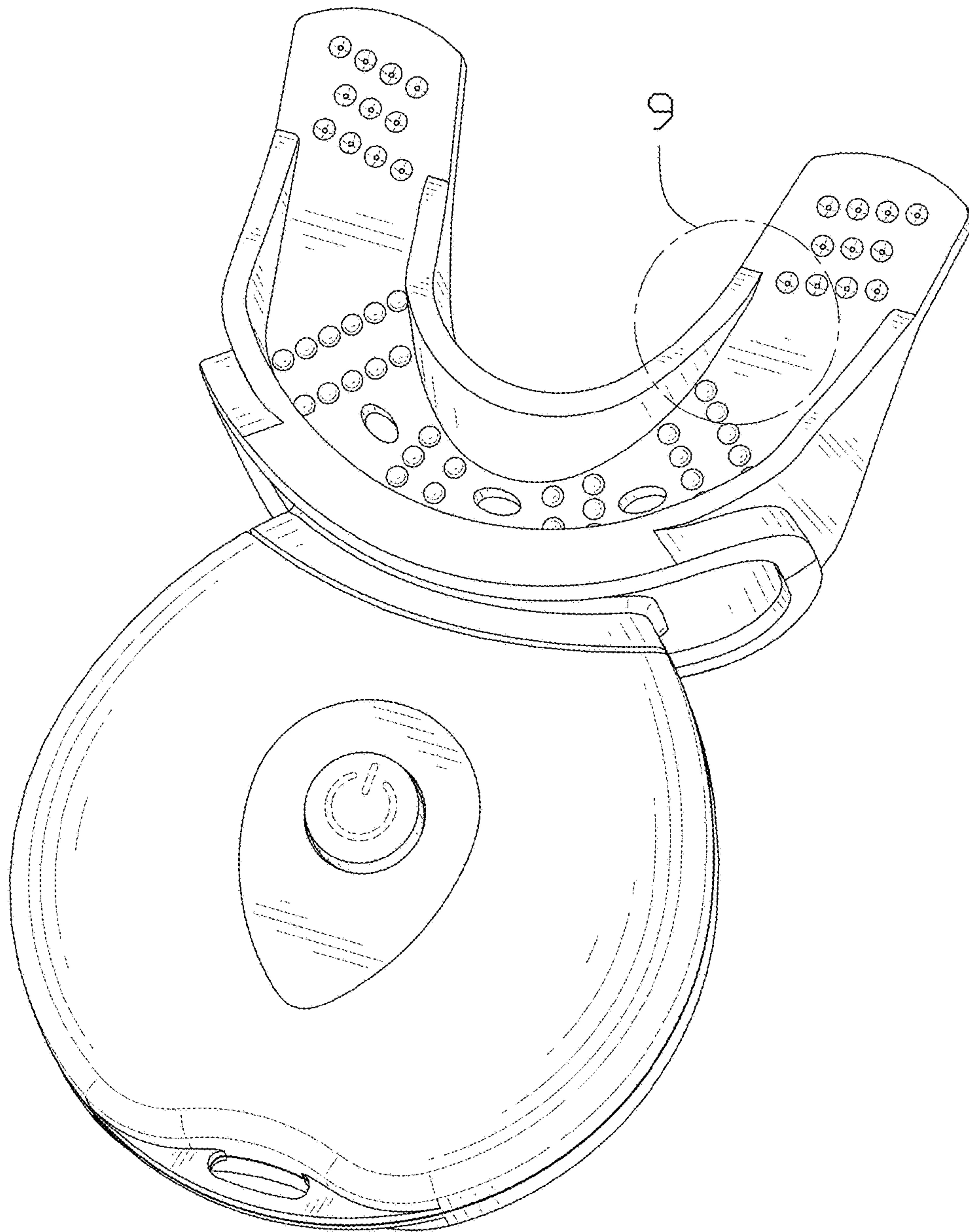


FIG. 1

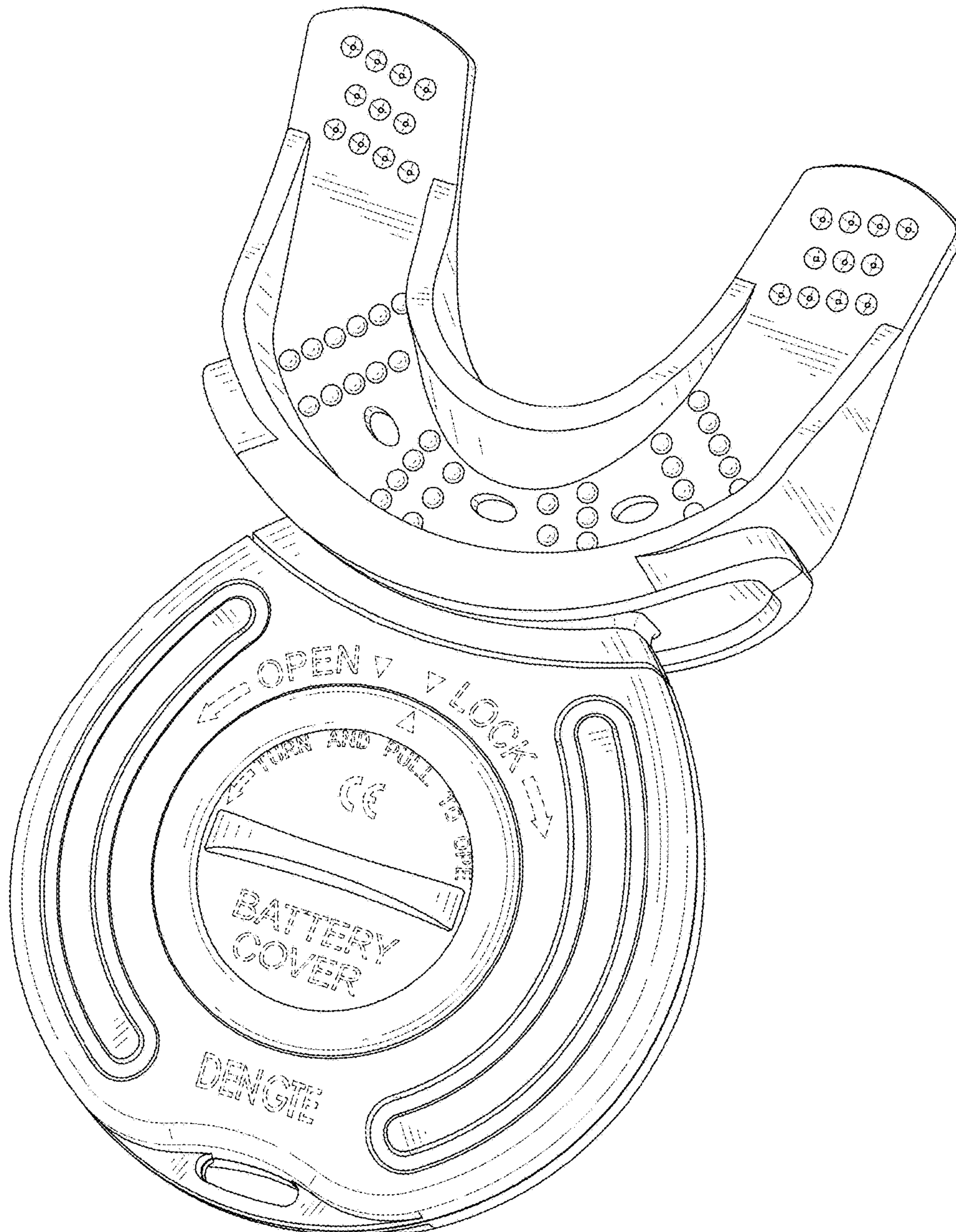


FIG. 2



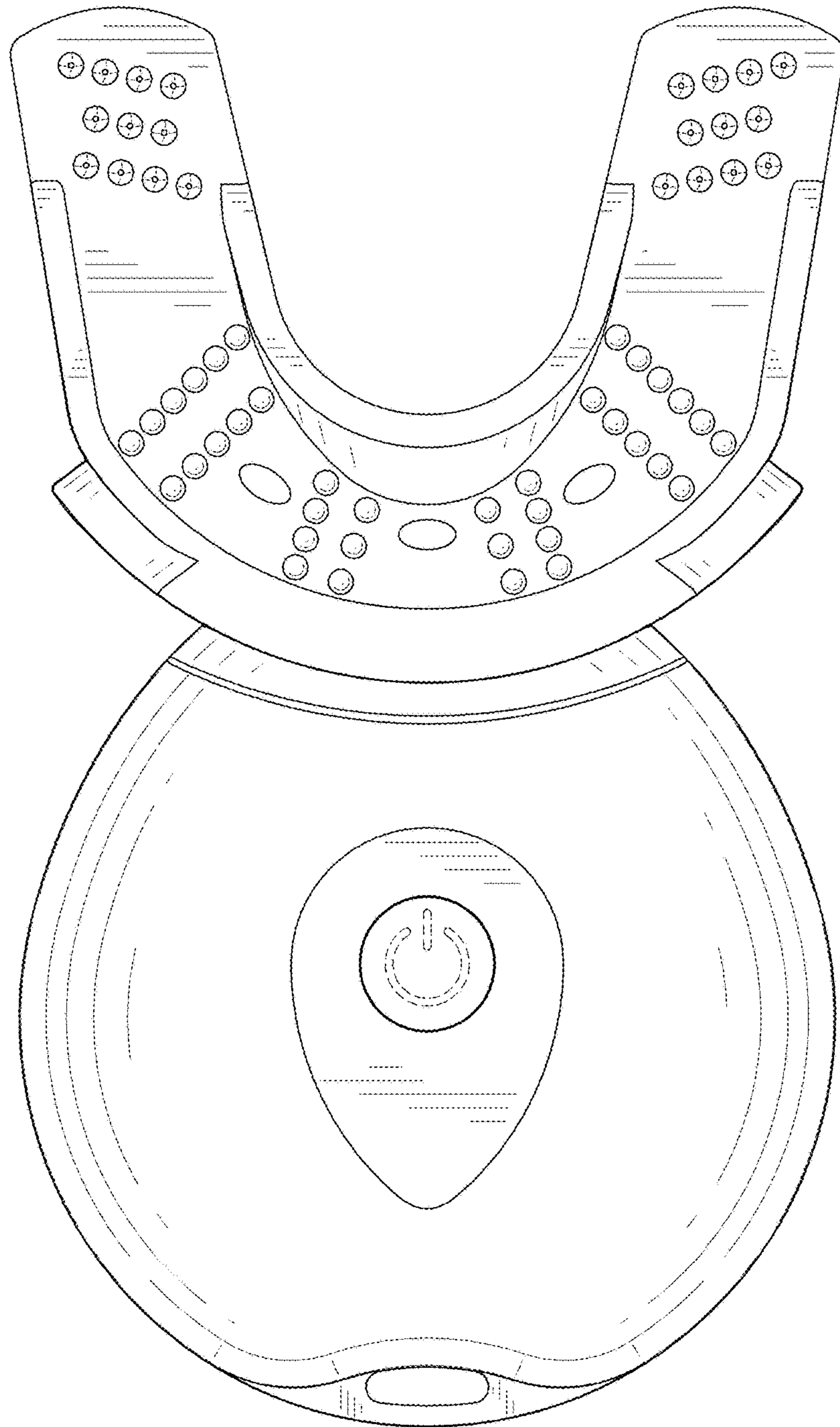


FIG. 3

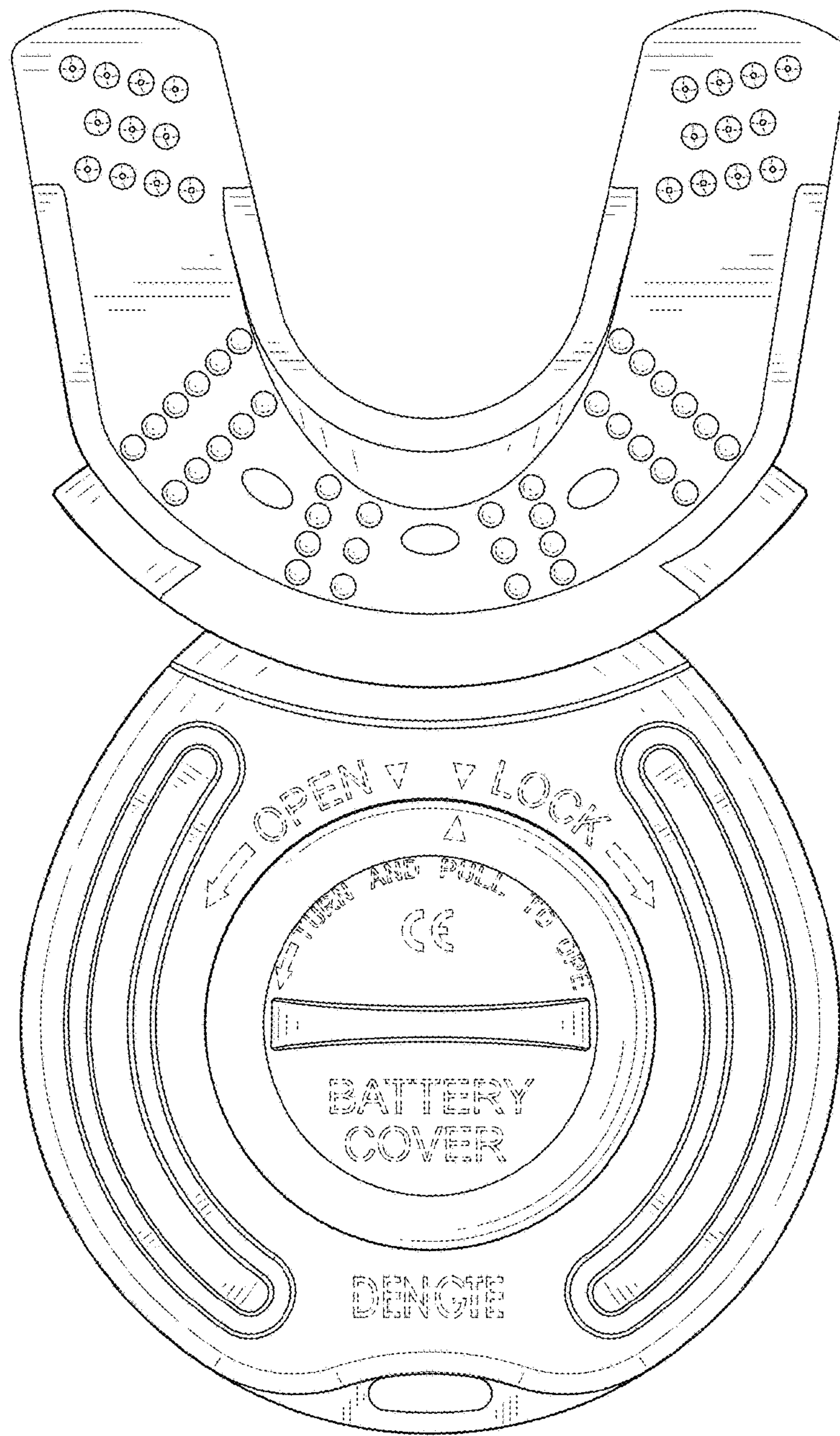


FIG. 4

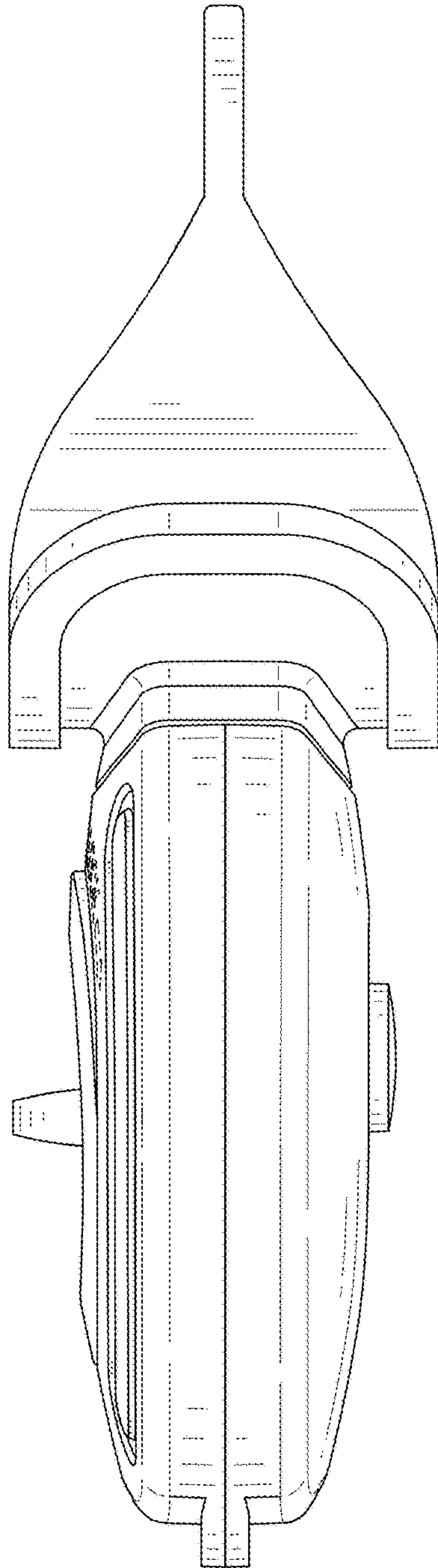


FIG. 5

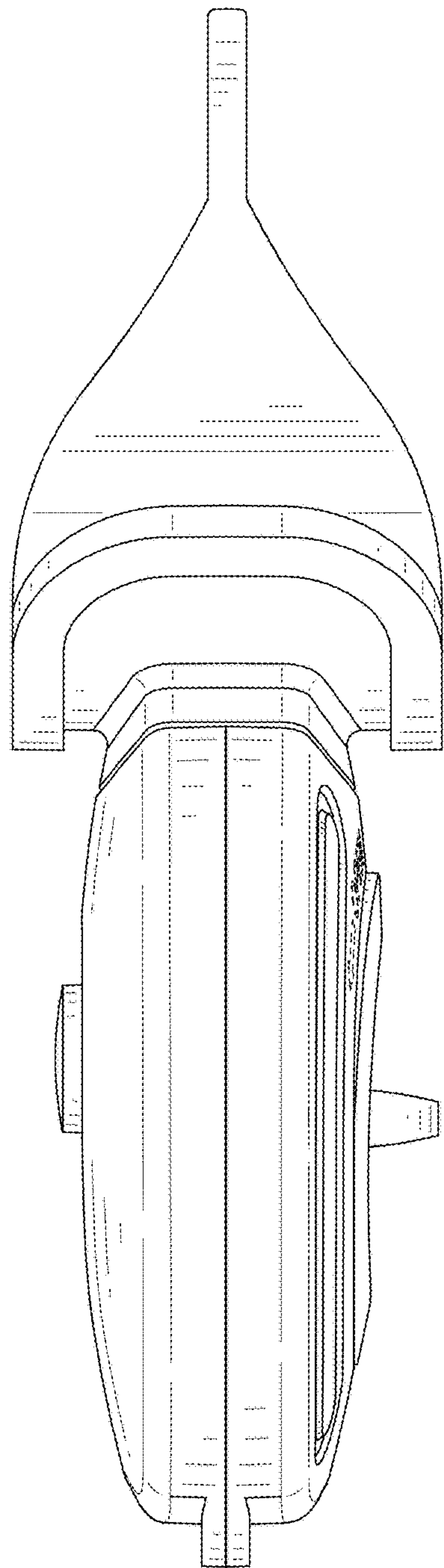


FIG. 6



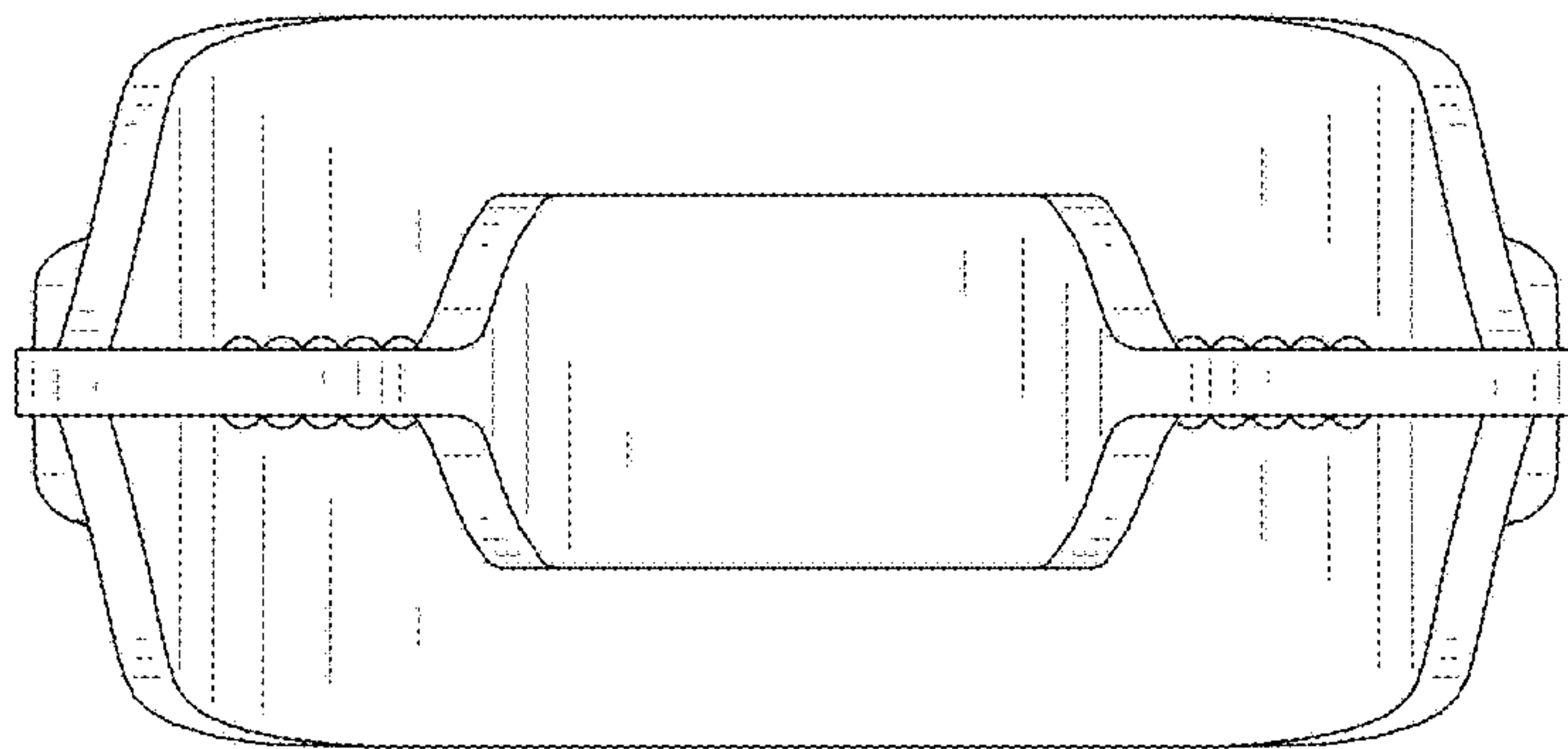


FIG. 7

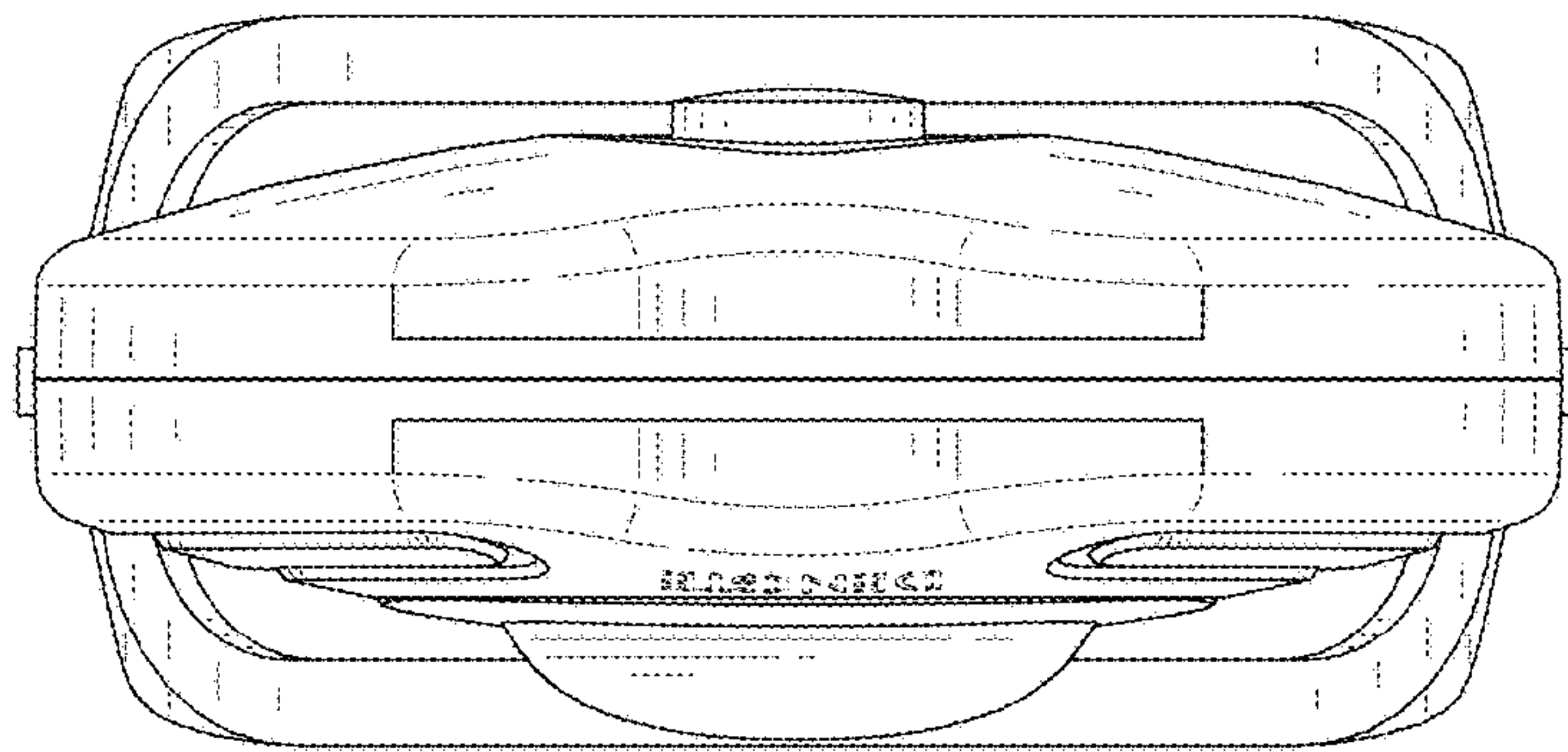


FIG. 8

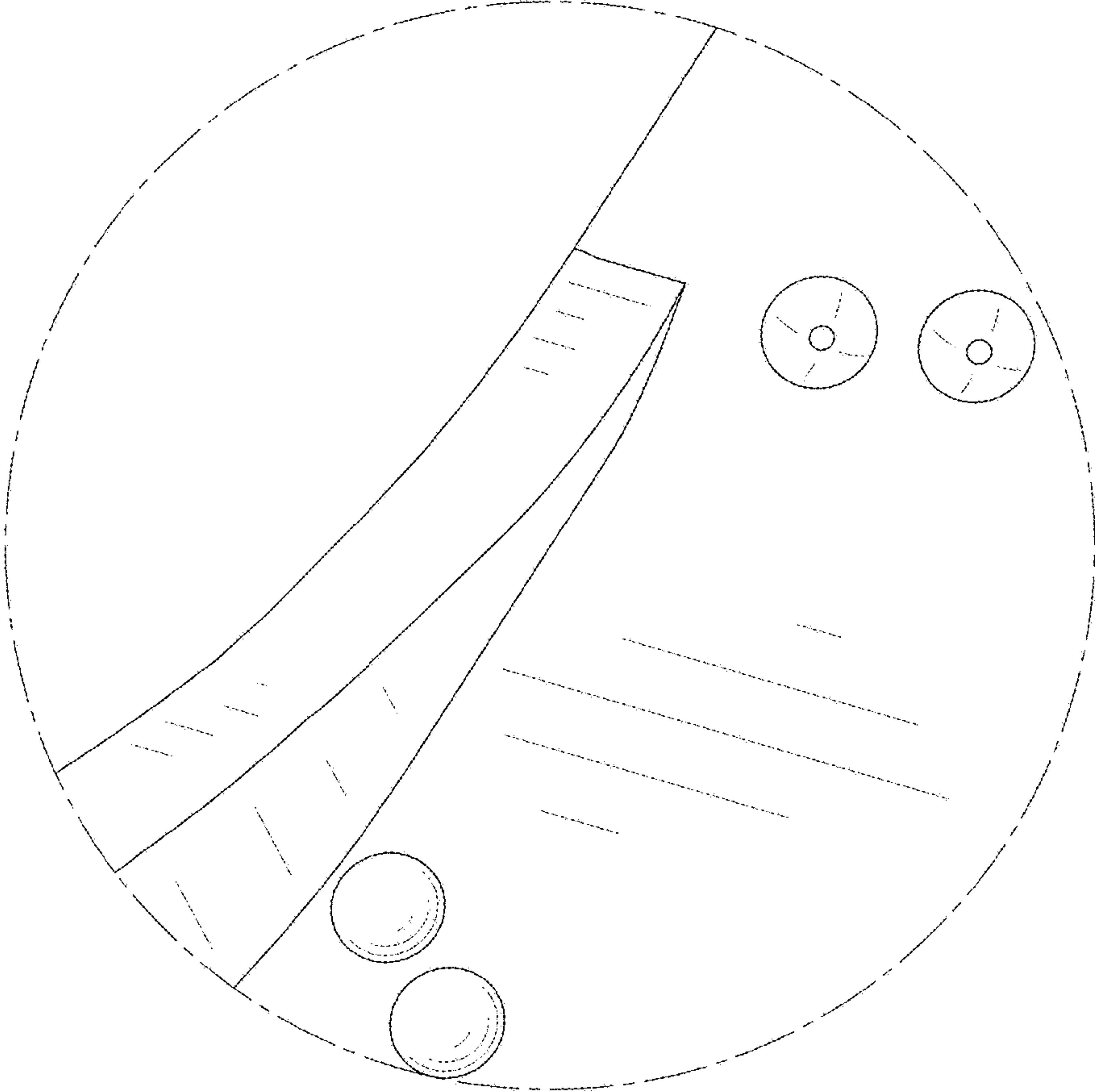


FIG. 9