



US00D867597S

(12) **United States Design Patent** (10) **Patent No.:** **US D867,597 S**
Bauer et al. (45) **Date of Patent:** **** Nov. 19, 2019**

(54) **DIALYSIS APPARATUS**

(56) **References Cited**

(71) Applicant: **FRESENIUS MEDICAL CARE DEUTSCHLAND GMBH**, Bad Homburg (DE)
(72) Inventors: **Rene Bauer**, Schweinfurt (DE); **Thomas Faulhaber**, Schweinfurt (DE); **Daniel Pelzl**, Schweinfurt (DE); **Fabio Rezzonico**, Como (IT)
(73) Assignee: **FRESENIUS MEDICAL CARE DEUTSCHLAND GMBH**, Bad Homburg (DE)
(**) Term: **15 Years**

U.S. PATENT DOCUMENTS

D611,152 S * 3/2010 Updyke D24/169
D781,410 S * 3/2017 Ritter D24/169
D801,531 S * 10/2017 Rezzonico D24/169
D802,142 S * 11/2017 Rezzonico D24/169
2004/0064080 A1 * 4/2004 Cruz A61M 1/16
604/5.04
2007/0252057 A1 * 11/2007 Utterberg A61M 1/16
248/218.4
2011/0101636 A1 * 5/2011 Faulhaber B62B 5/04
280/47.34
2013/0193282 A1 * 8/2013 Brehm A61M 5/1415
248/125.7
2018/0193545 A1 * 7/2018 Cmkovich A61M 1/1656
* cited by examiner

(21) Appl. No.: **29/646,663**
(22) Filed: **May 7, 2018**

Primary Examiner — Anhdao Doan
(74) *Attorney, Agent, or Firm* — Jacobson Holman, PLLC.

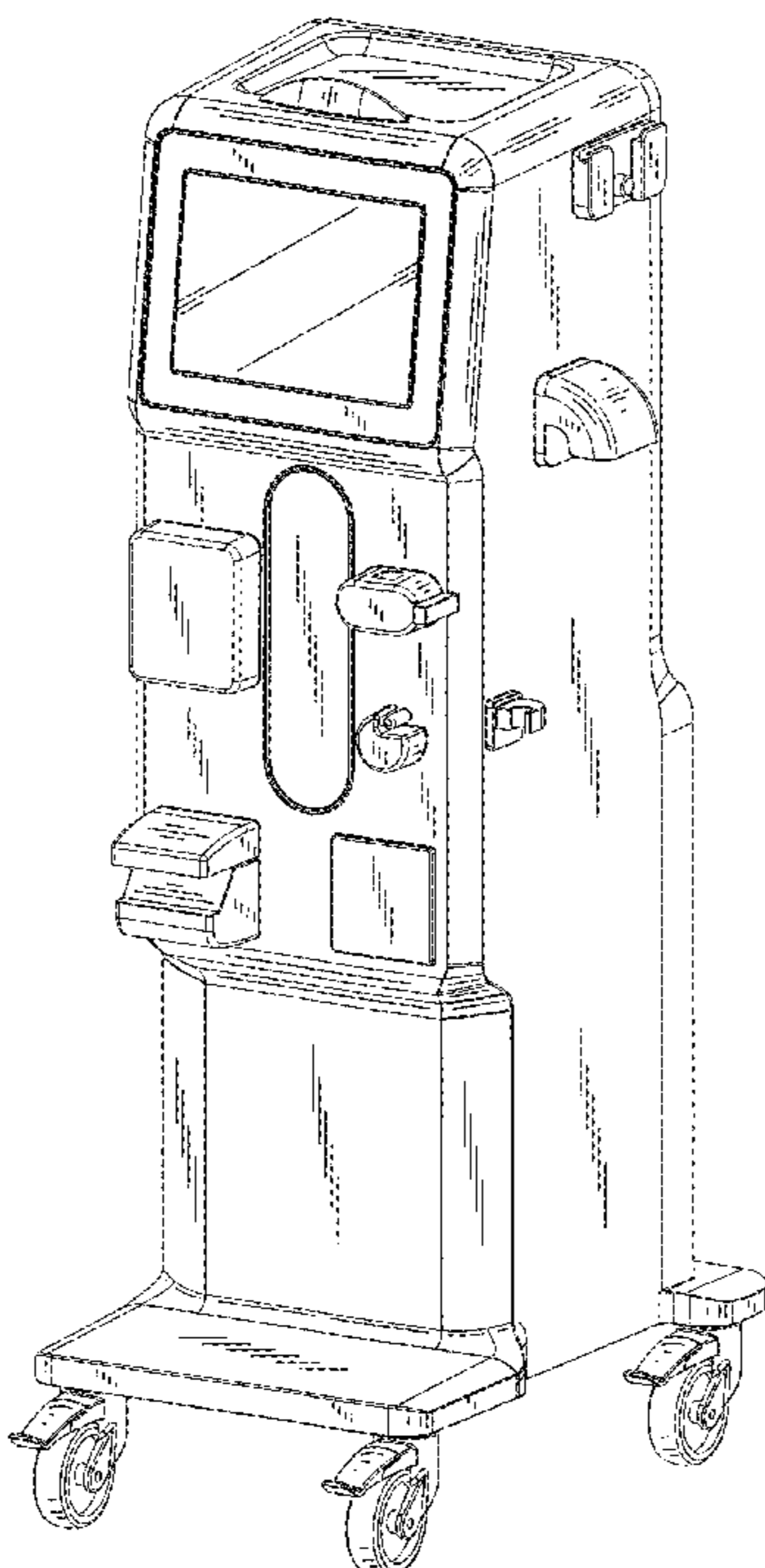
(30) **Foreign Application Priority Data**
Nov. 7, 2017 (EM) 004498525
(51) **LOC (12) Cl.** **24-01**
(52) **U.S. Cl.**
USPC **D24/169**
(58) **Field of Classification Search**
USPC D24/164–169, 186, 107, 216; D10/81
CPC A61M 1/16; A61M 1/1601; A61M 1/1621;
A61M 1/1654; A61M 1/36; A61M
1/3693; A61M 1/3696; A61M 2209/084;
A61M 2205/502; A61M 2205/505; A16B
50/10; A16B 50/13; A16B 50/15
See application file for complete search history.

(57) **CLAIM**
We claim the ornamental design for a dialysis apparatus, as shown and described.

DESCRIPTION

FIG. 1 is a front perspective view of a dialysis apparatus; FIG. 2 is the left side elevation of FIG. 1; FIG. 3 is a right side elevation of FIG. 1; FIG. 4 is a rear elevation of FIG. 1; FIG. 5 is a top plan view of FIG. 1; FIG. 6 is a bottom view of FIG. 1; and, FIG. 7 is front elevational view of FIG. 1.

1 Claim, 7 Drawing Sheets



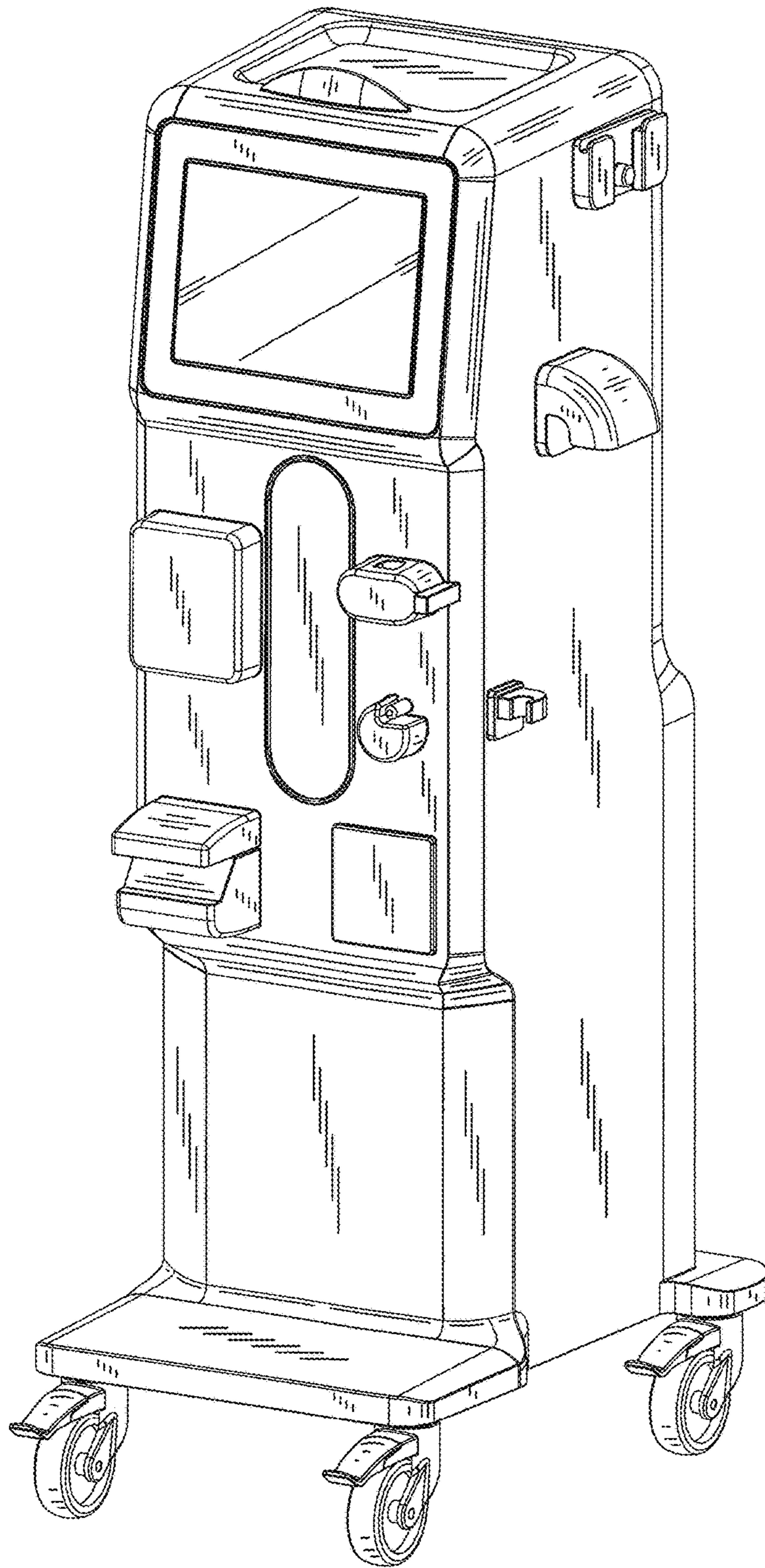


FIG. 1

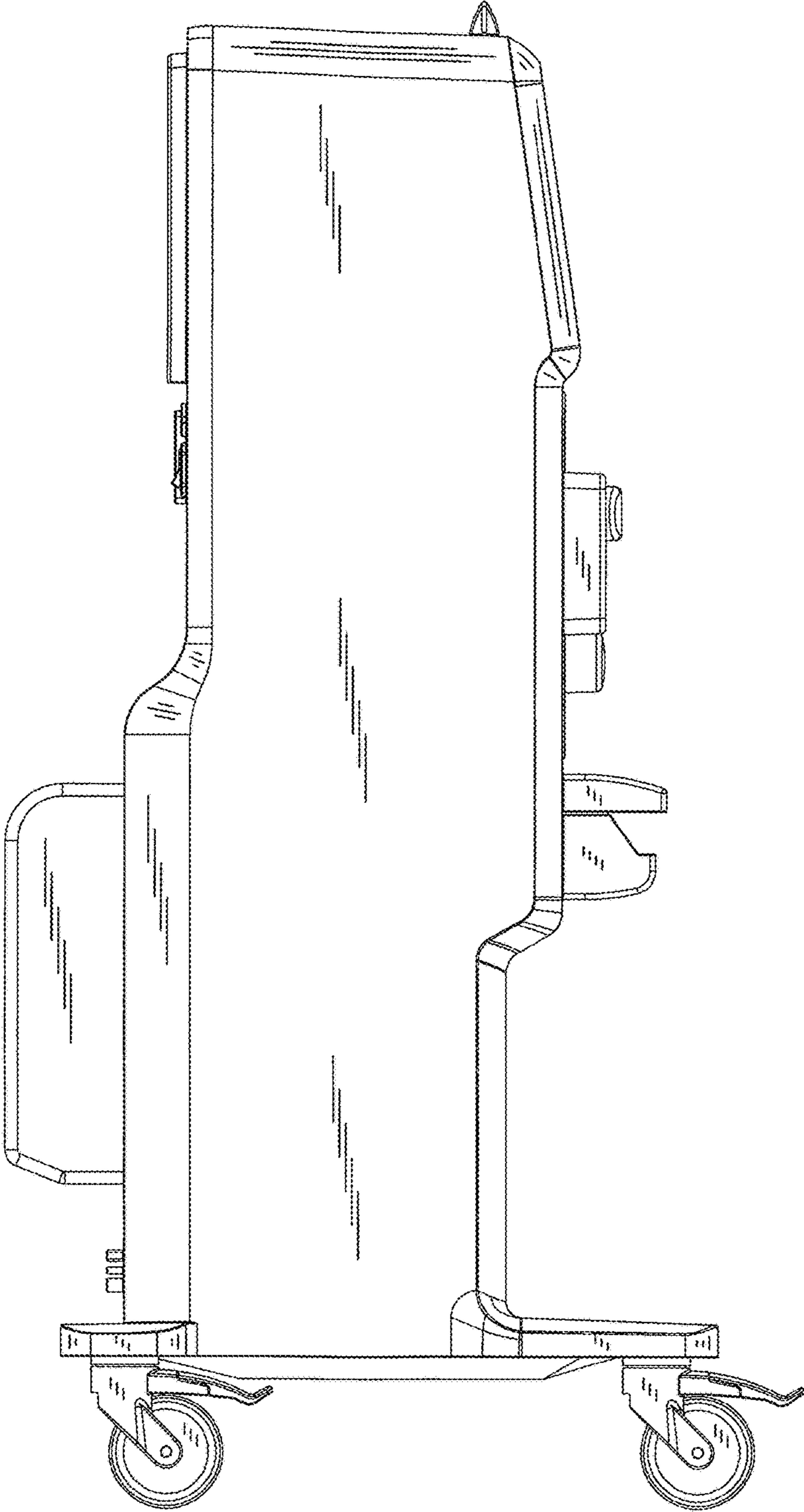


FIG. 2

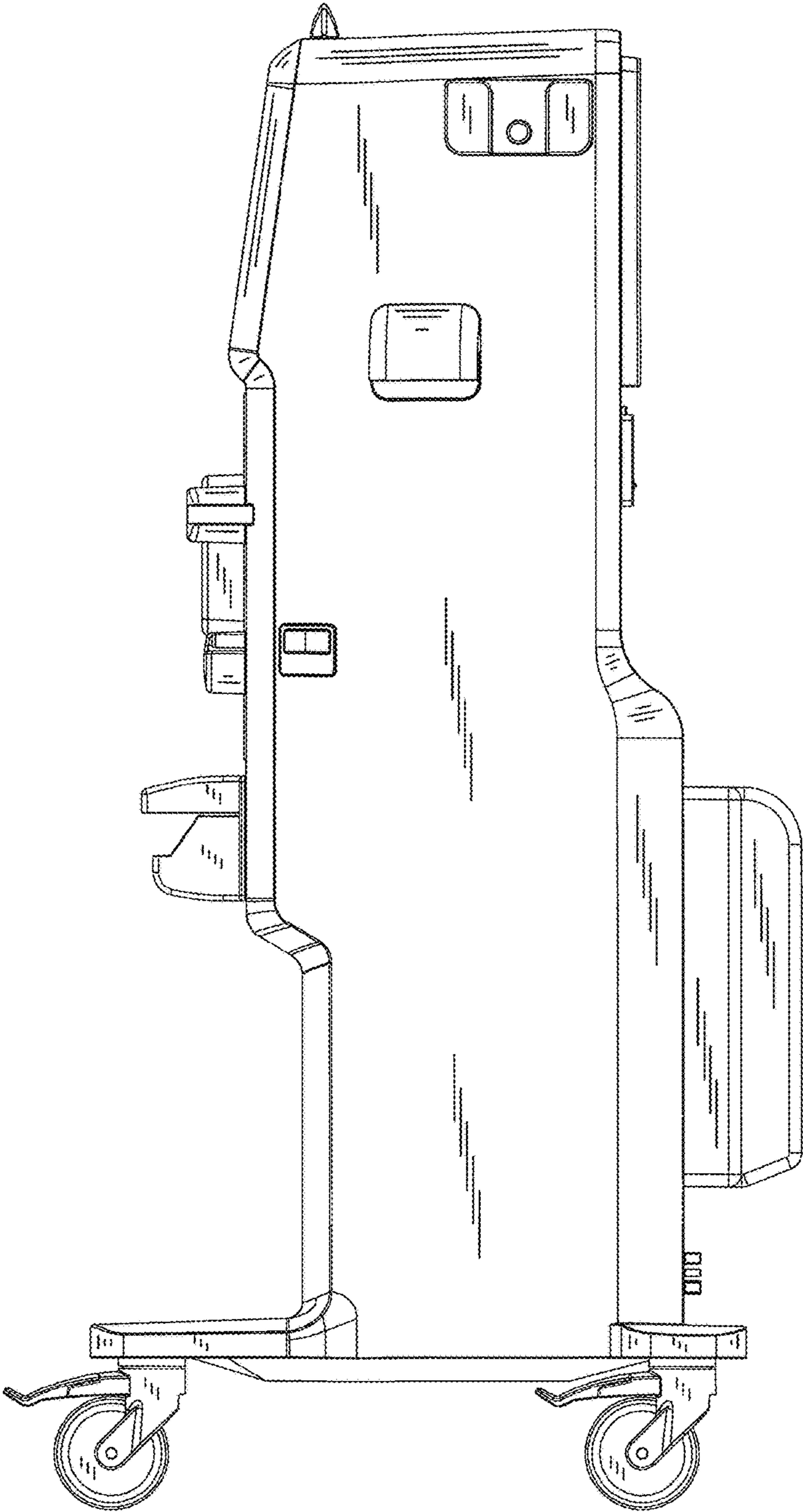


FIG. 3

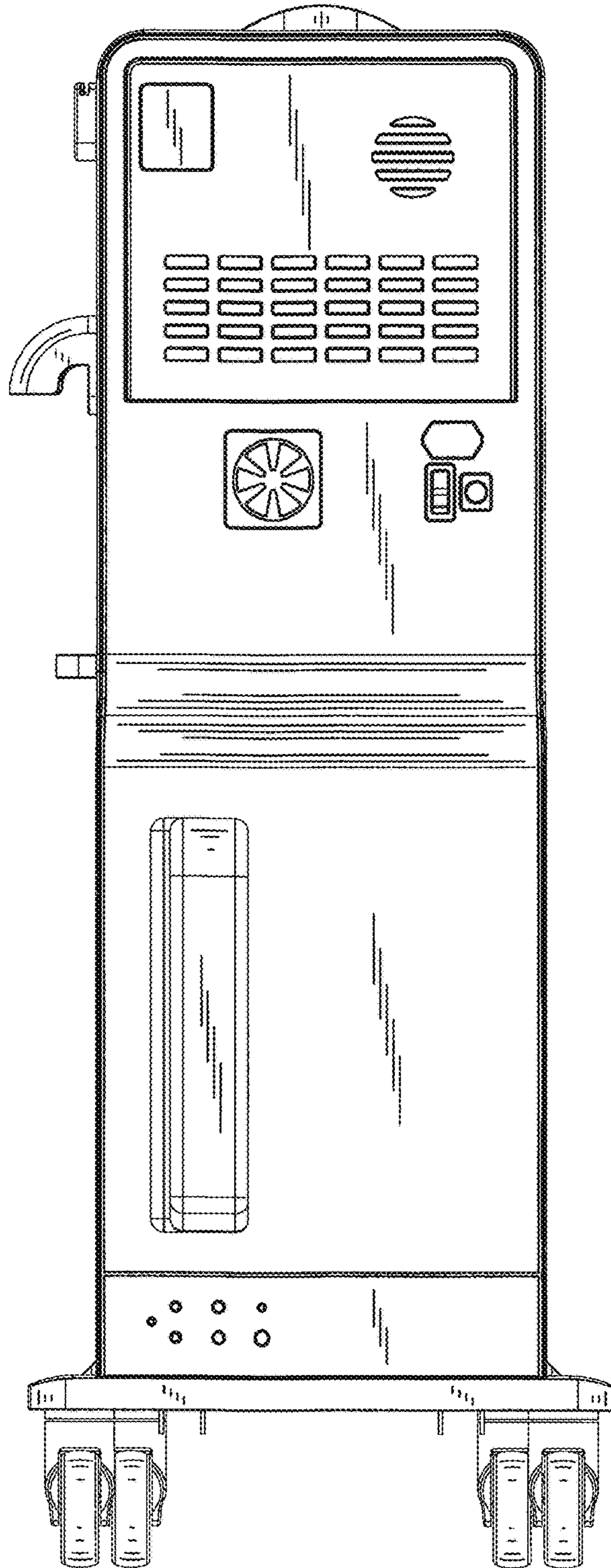


FIG. 4

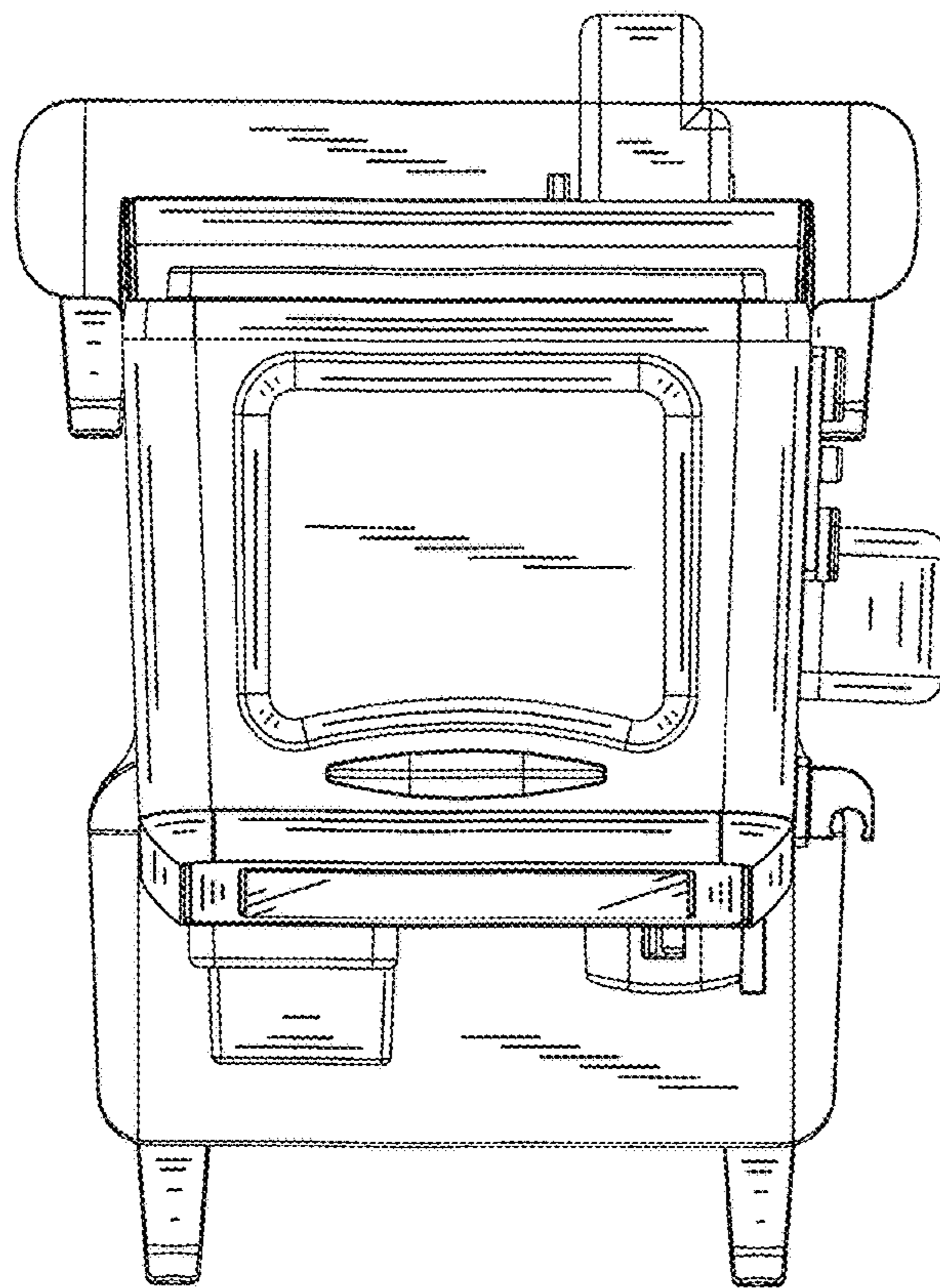


FIG. 5

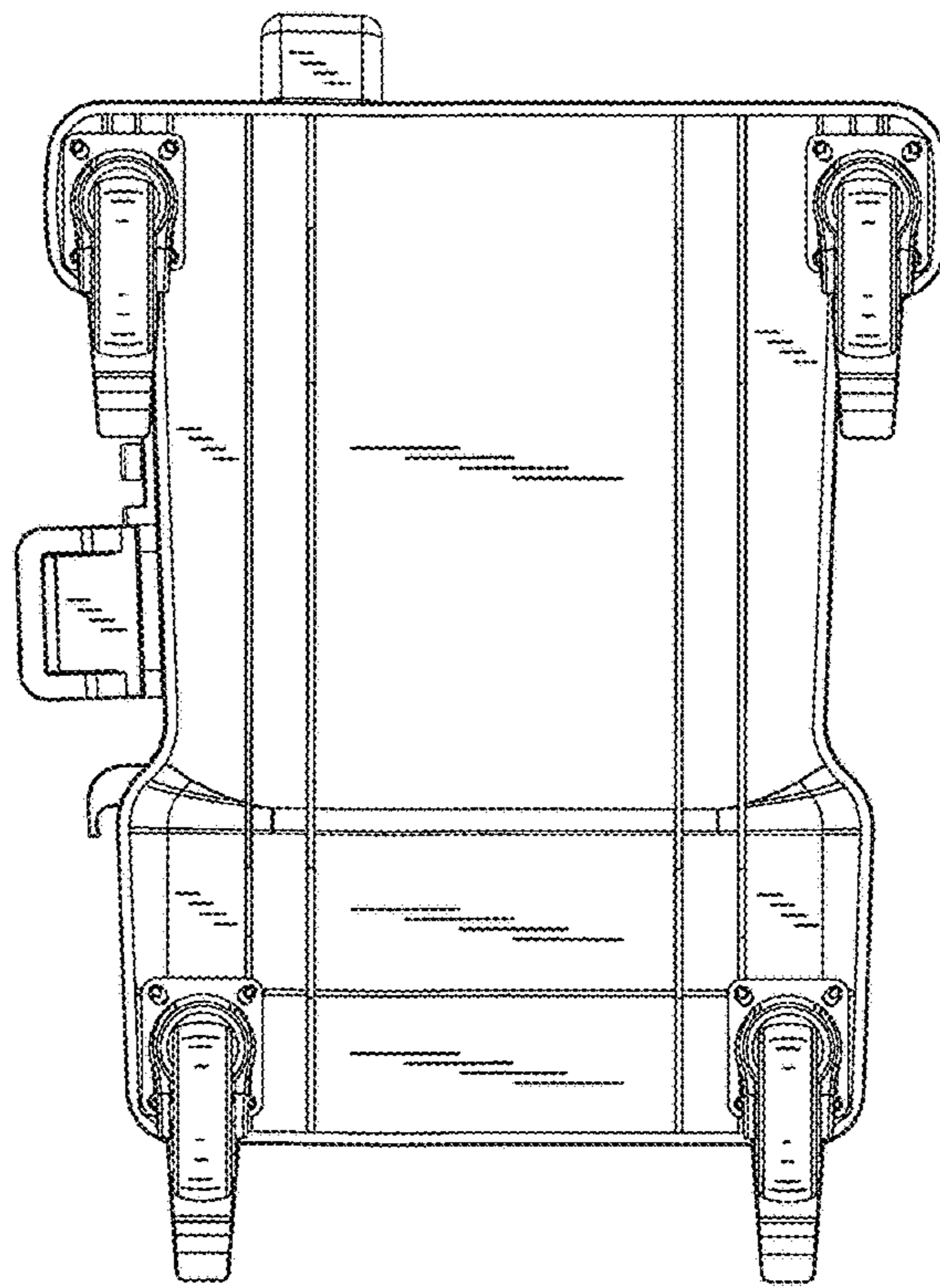


FIG. 6

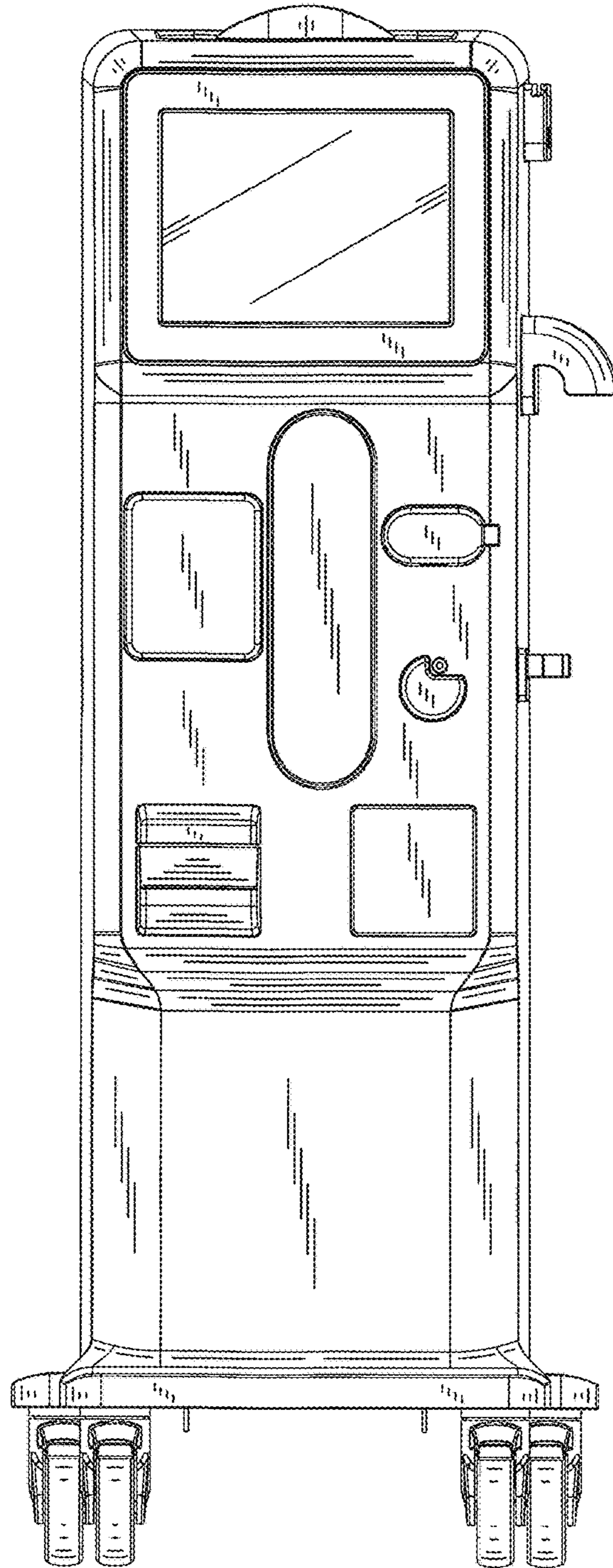


FIG. 7