



US00D867596S

(12) **United States Design Patent** (10) **Patent No.:** **US D867,596 S**
Glickman (45) **Date of Patent:** **** Nov. 19, 2019**

(54) **MOBILE RADIATION BARRIER**
 (71) Applicant: **Barrier Technologies, LLC**, Davie, FL (US)

D749,219 S * 2/2016 Ballsieper D24/158
 D754,348 S 4/2016 Ballsieper
 2016/0015336 A1* 1/2016 Ballsieper A61B 6/107
 250/515.1

(72) Inventor: **Marc Glickman**, Davie, FL (US)
 (73) Assignee: **Barrier Technologies, LLC**, Davie, FL (US)

OTHER PUBLICATIONS

Infab, "Adjustable Height Wraparound Mobile Barrier" Mar. 30, 2018.
 TechnoAide, "Standing Mobile Shield" Apr. 3, 2018.

(**) Term: **15 Years**

* cited by examiner

(21) Appl. No.: **29/645,435**

Primary Examiner — Anhdao Doan

(22) Filed: **Apr. 26, 2018**

(74) *Attorney, Agent, or Firm* — Jon Gibbons; Fleit Intellectual Property Law

(51) **LOC (12) Cl.** **24-01**

(57) **CLAIM**

(52) **U.S. Cl.**
USPC **D24/158**

The ornamental design for a mobile radiation barrier, as shown and described.

(58) **Field of Classification Search**
 USPC D24/107, 158–161, 185, 186, 187, 231;
 D29/100, 104–107
 CPC .. A61B 6/107; G21F 3/00; G21F 3/02; G21Y
 2002/501; A61N 2005/1094
 See application file for complete search history.

DESCRIPTION

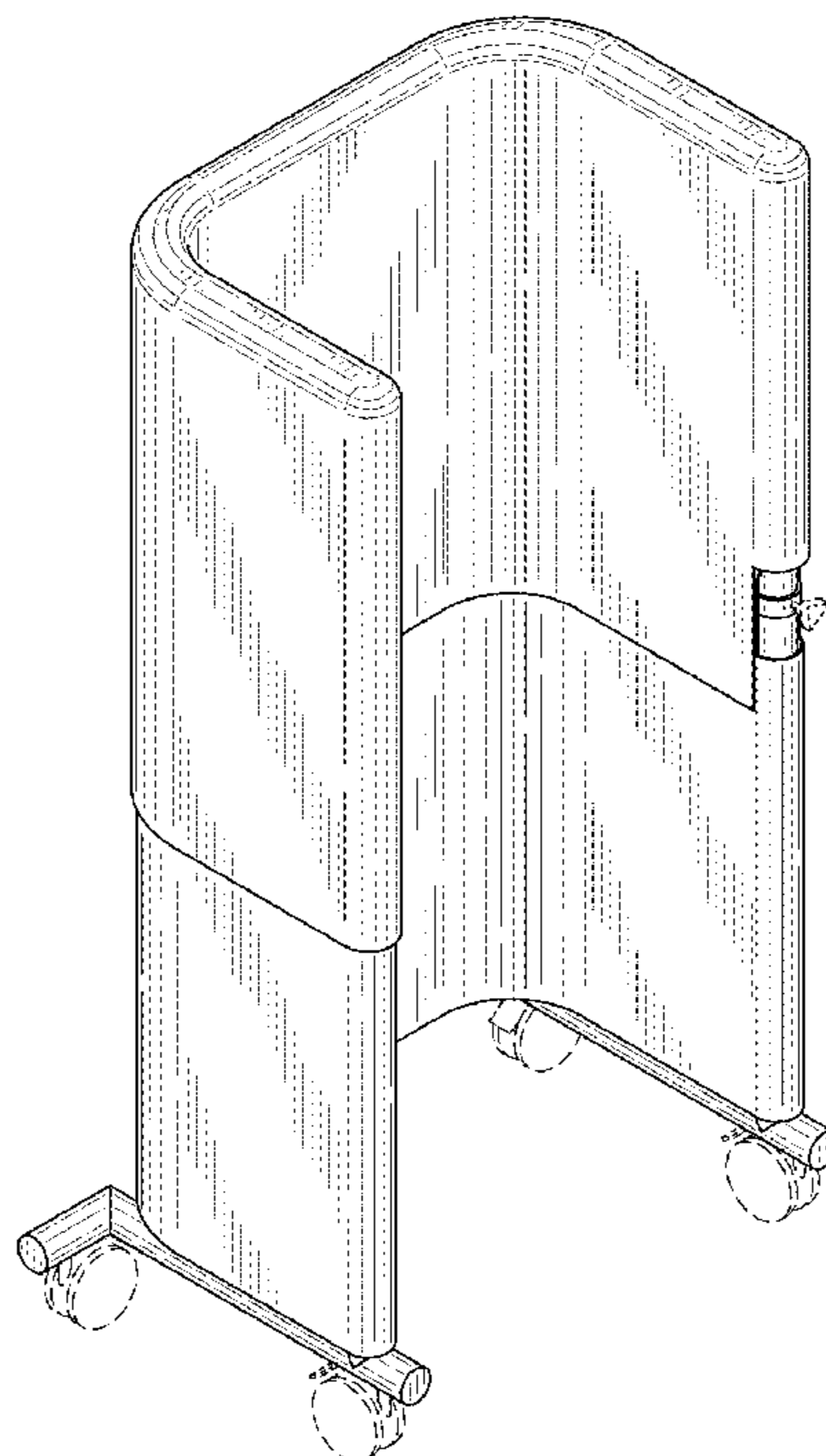
FIG. 1 is a left-rear-side perspective view of a mobile radiation barrier;
 FIG. 2 is a left-front-side perspective view thereof;
 FIG. 3 is a rear elevational view thereof;
 FIG. 4 is a front elevational view thereof;
 FIG. 5 is a left side elevational view thereof;
 FIG. 6 is a right side elevational view thereof;
 FIG. 7 is a top plan view thereof; and,
 FIG. 8 is a bottom plan view thereof.
 The broken lines illustrate portions of the mobile radiation barrier that form no part of the claimed design.

(56) **References Cited**

U.S. PATENT DOCUMENTS

D245,464 S * 8/1977 Reiss D24/158
 D249,552 S * 9/1978 Schwartz 607/91
 D693,478 S * 11/2013 Irick D24/158
 D693,479 S * 11/2013 McCall D24/158

1 Claim, 7 Drawing Sheets



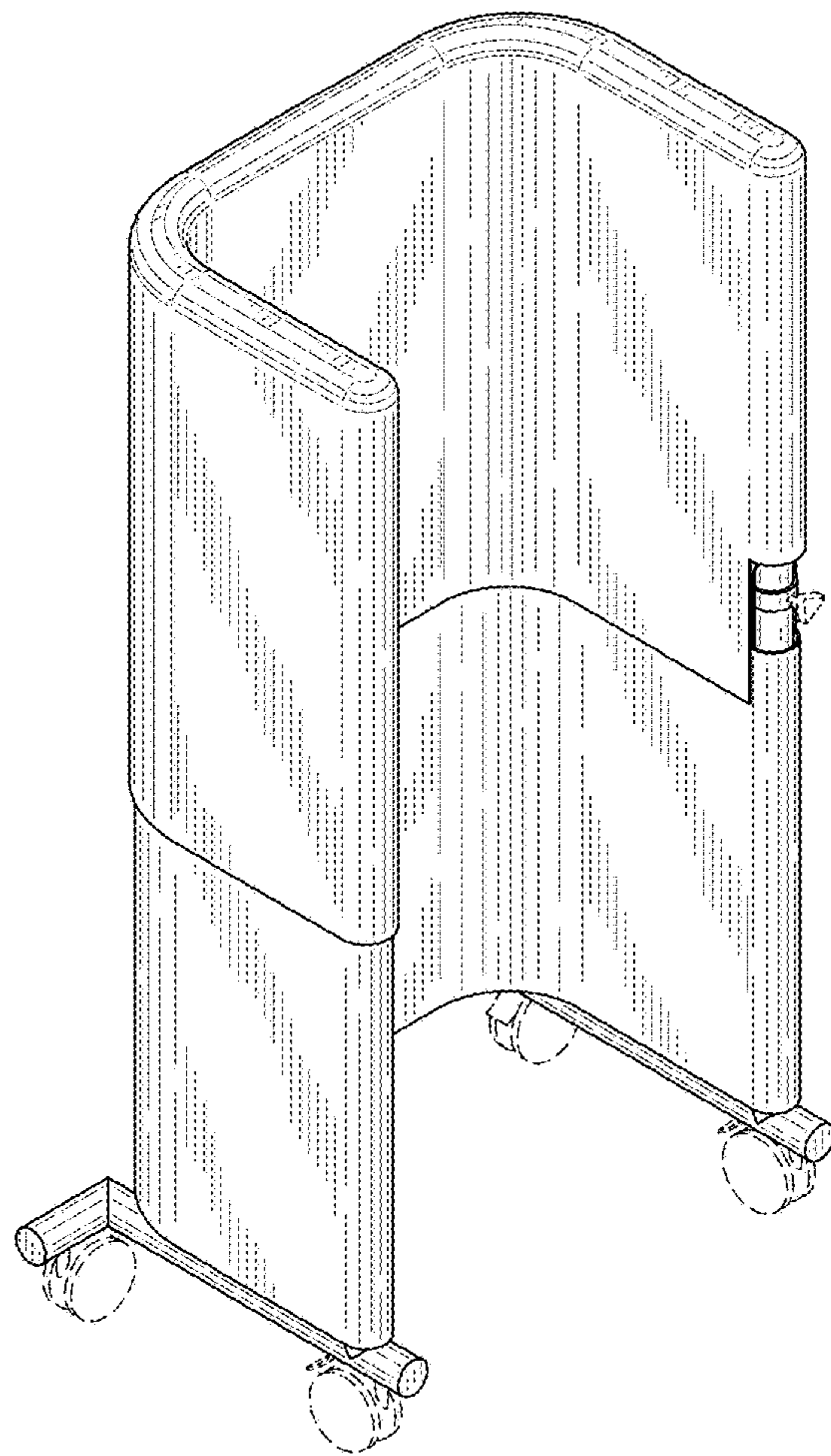


FIG. 1

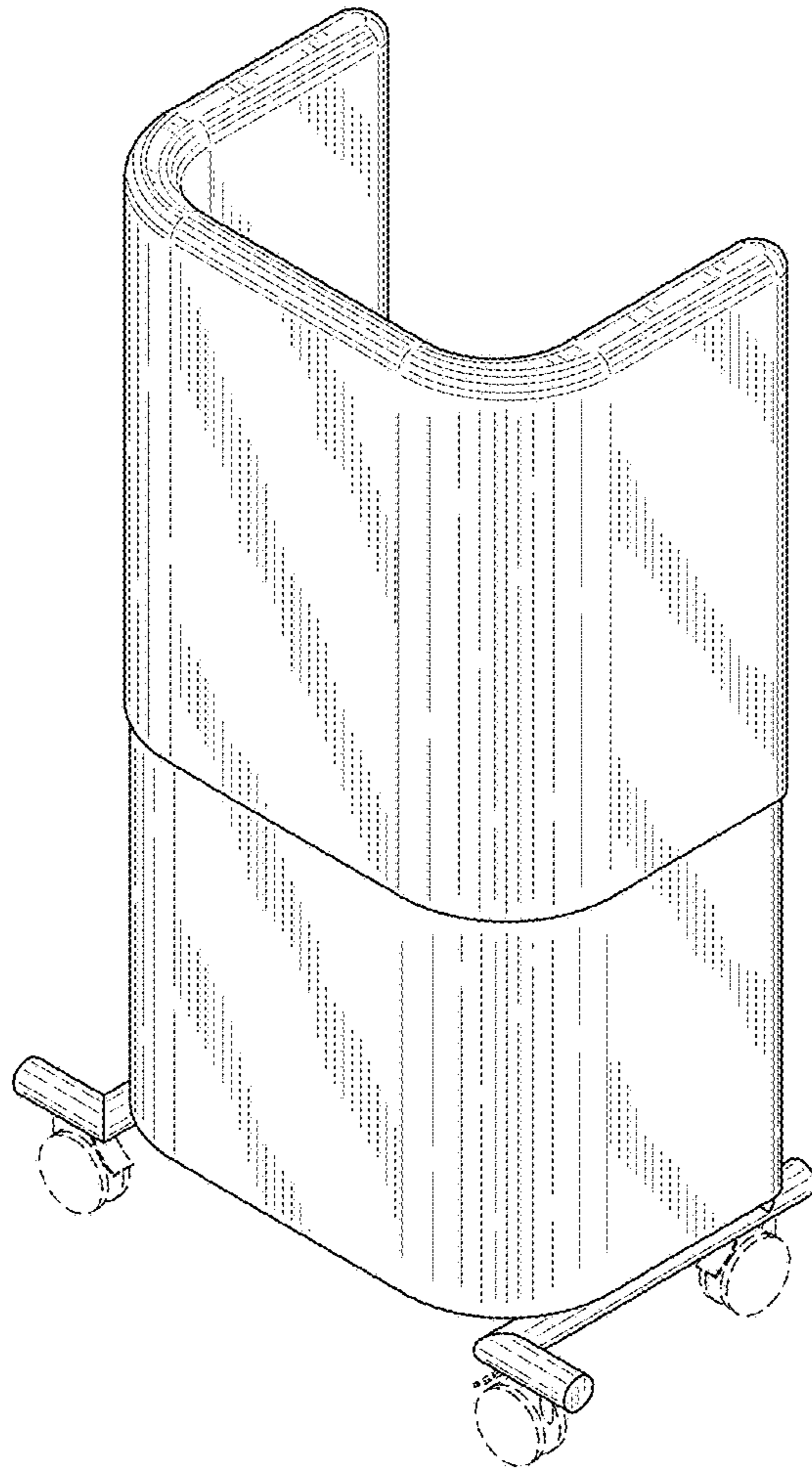


FIG. 2

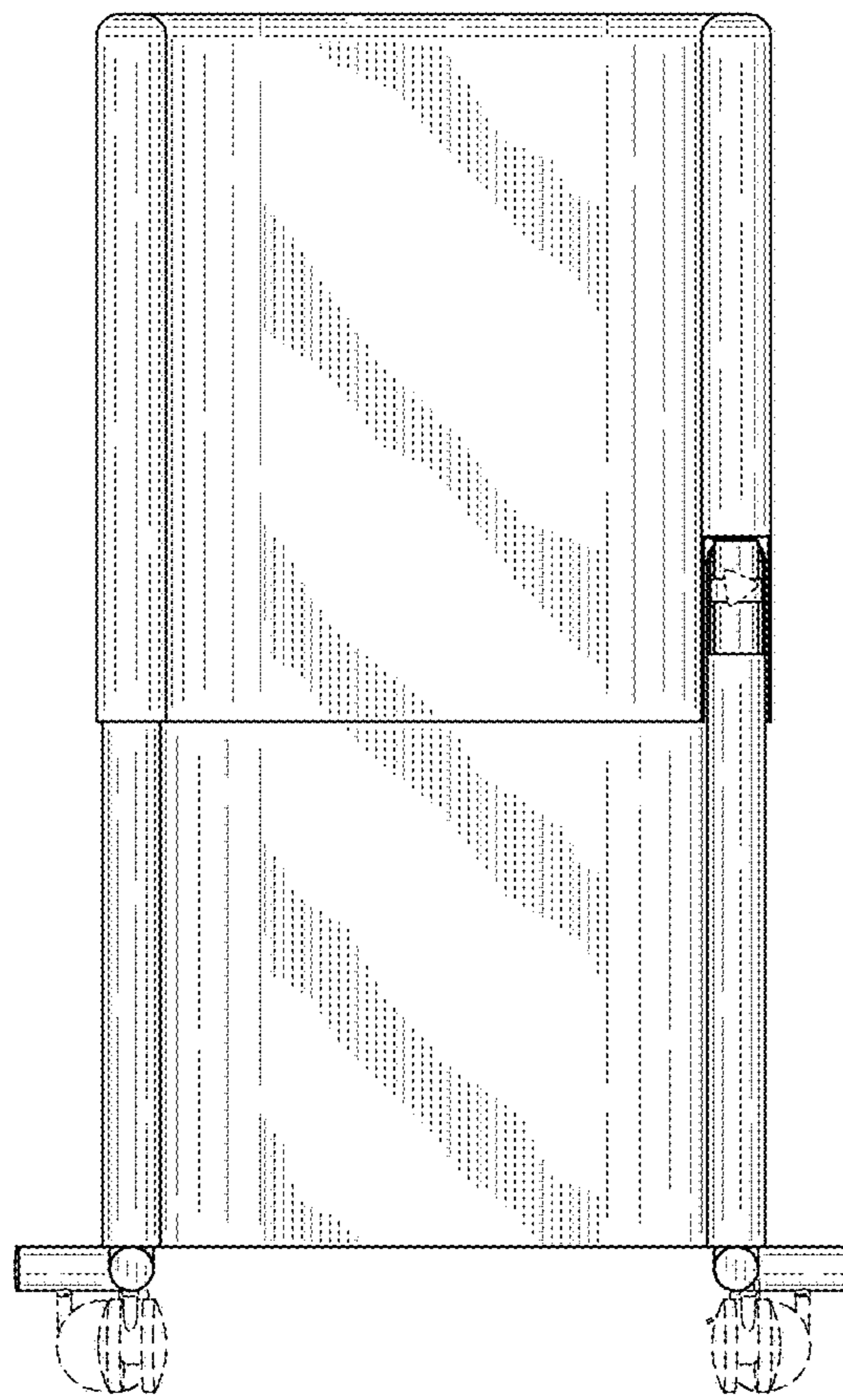


FIG. 3

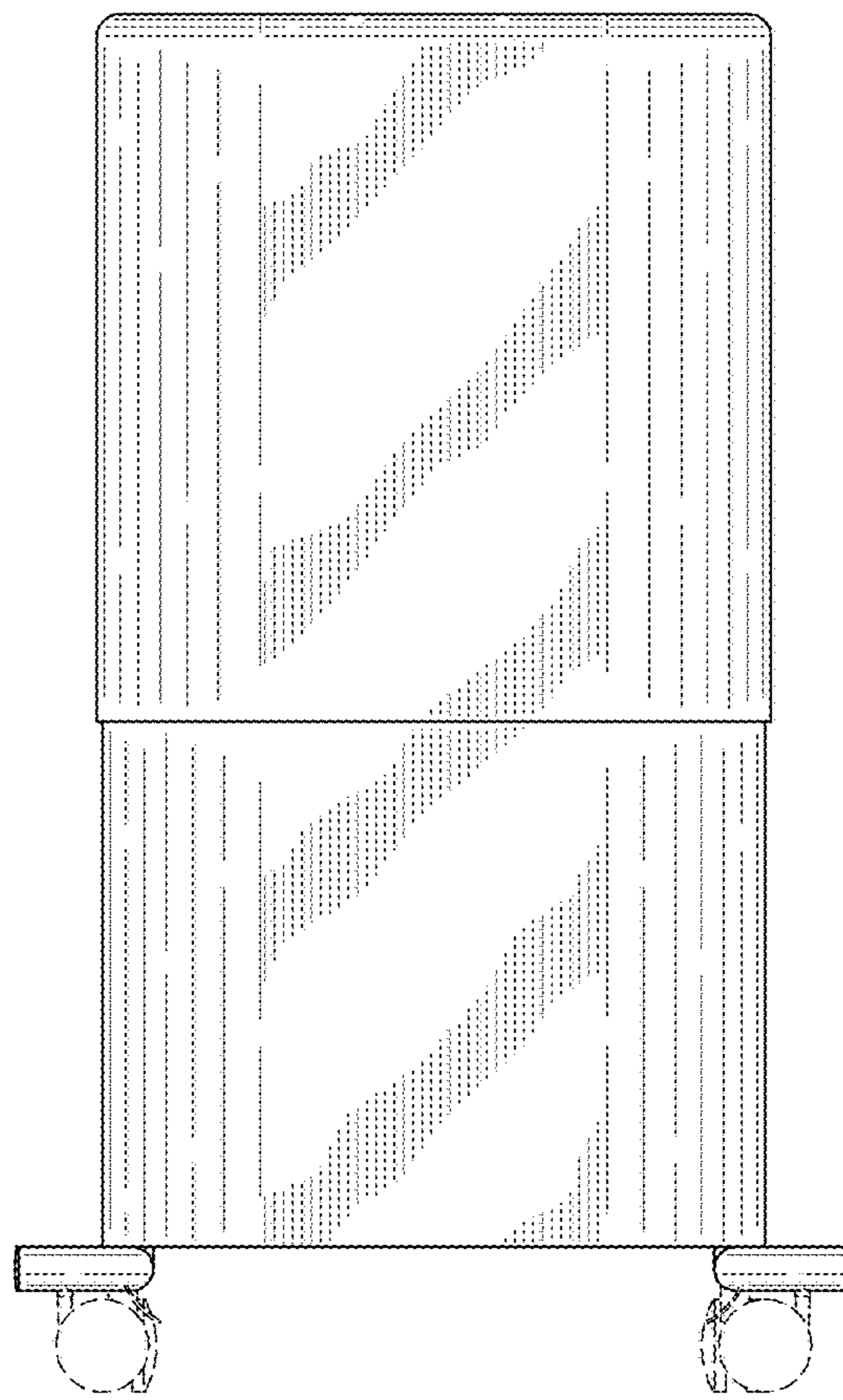


FIG. 4

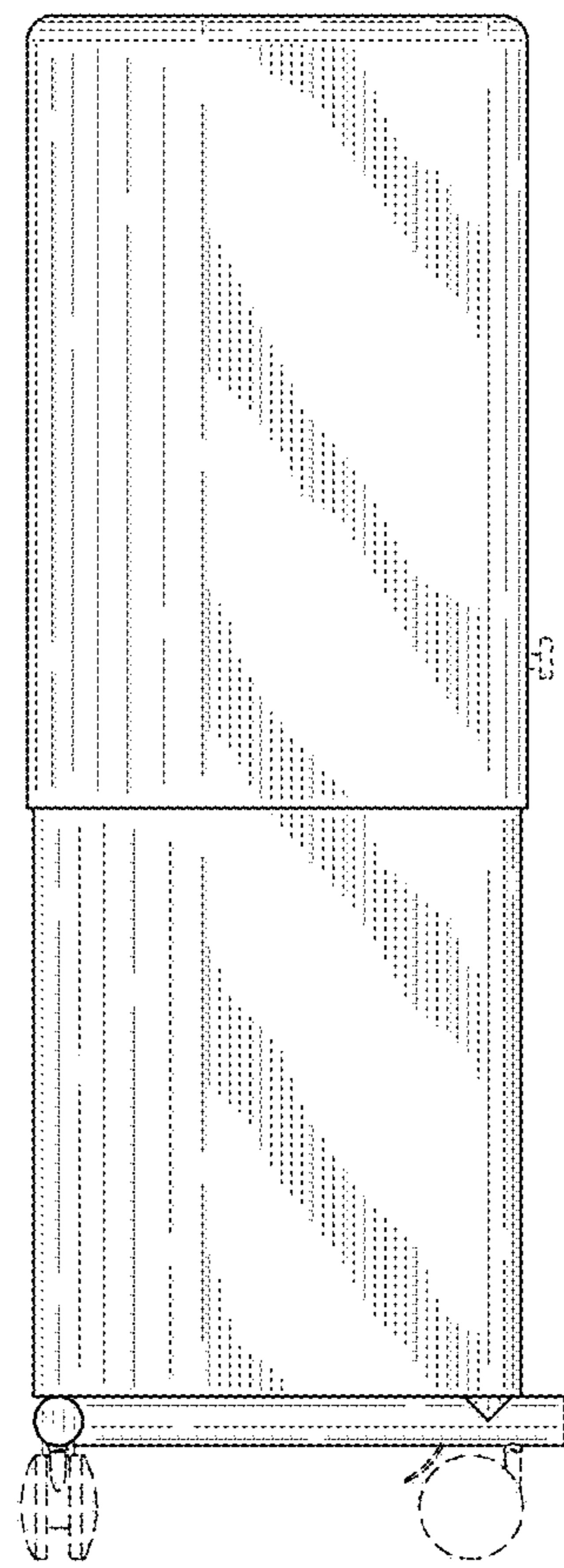


FIG. 5

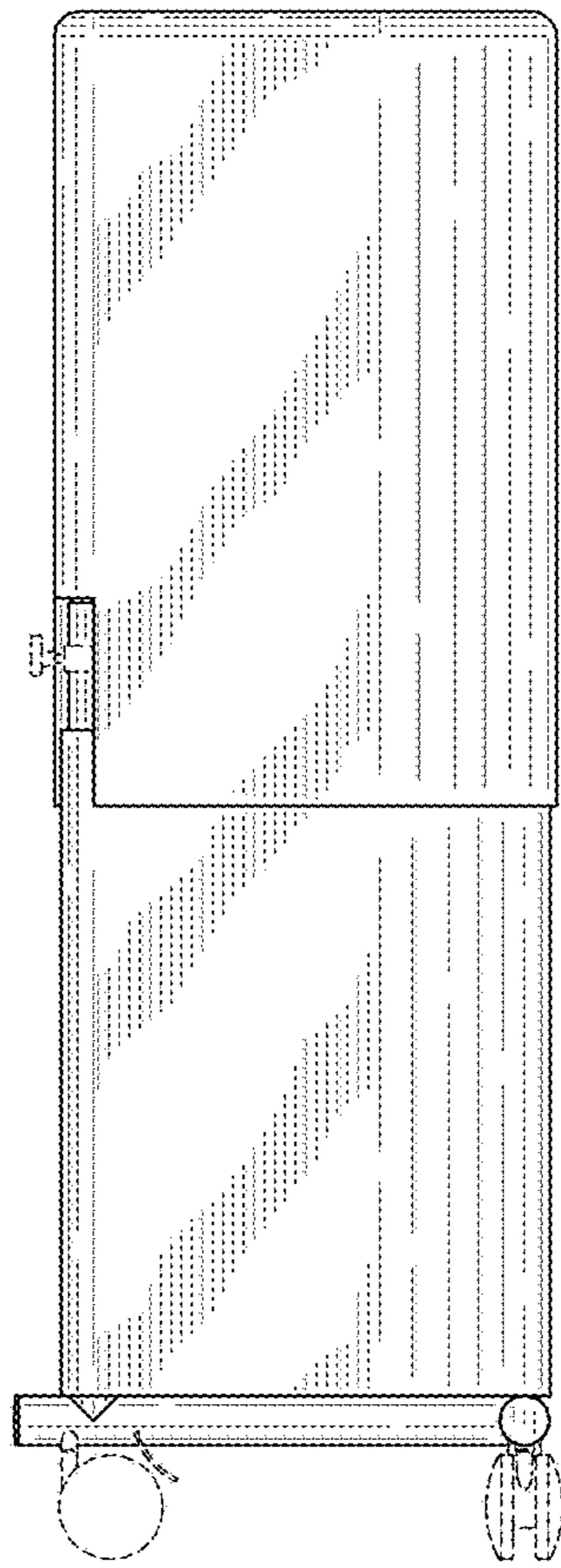


FIG. 6

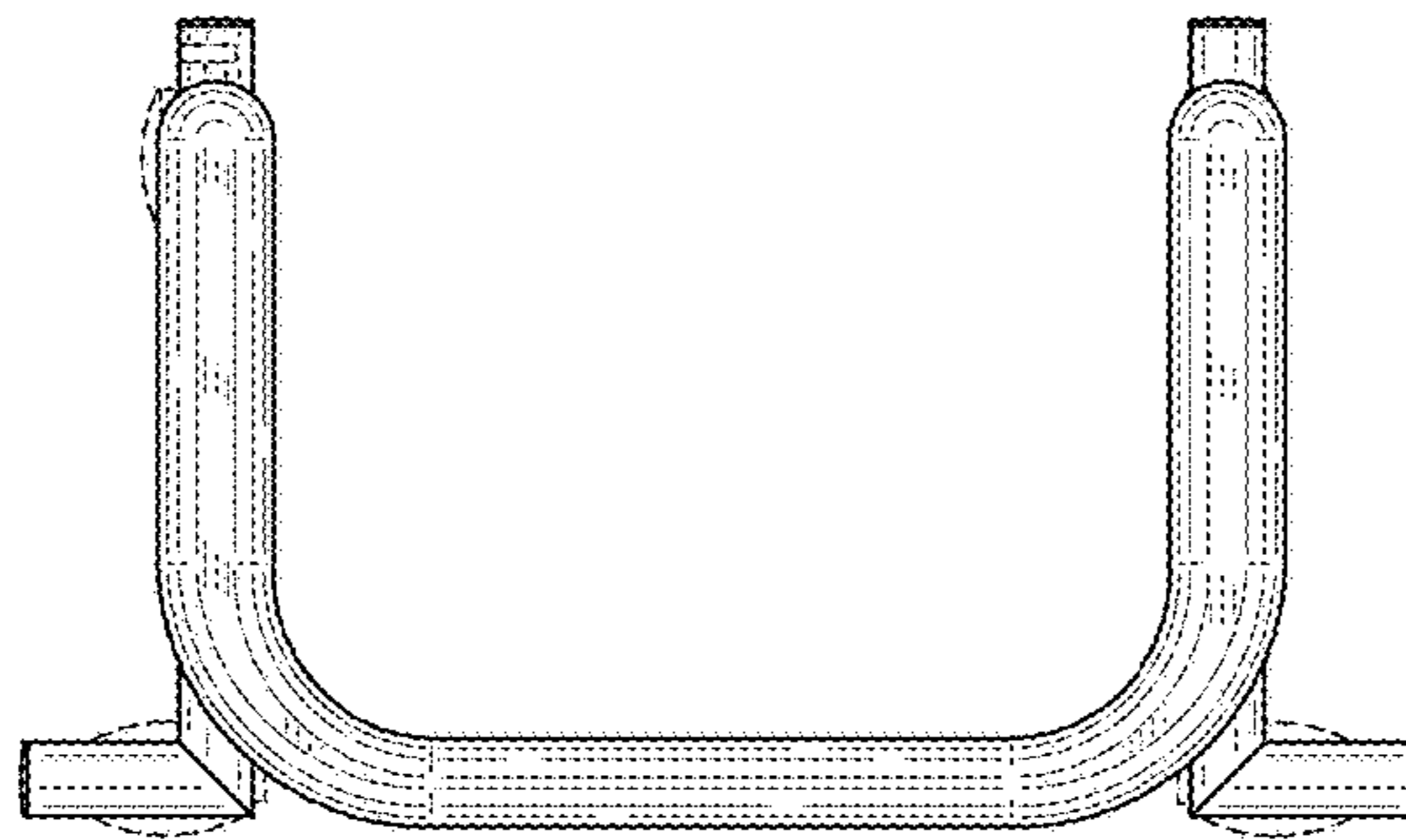


FIG. 7

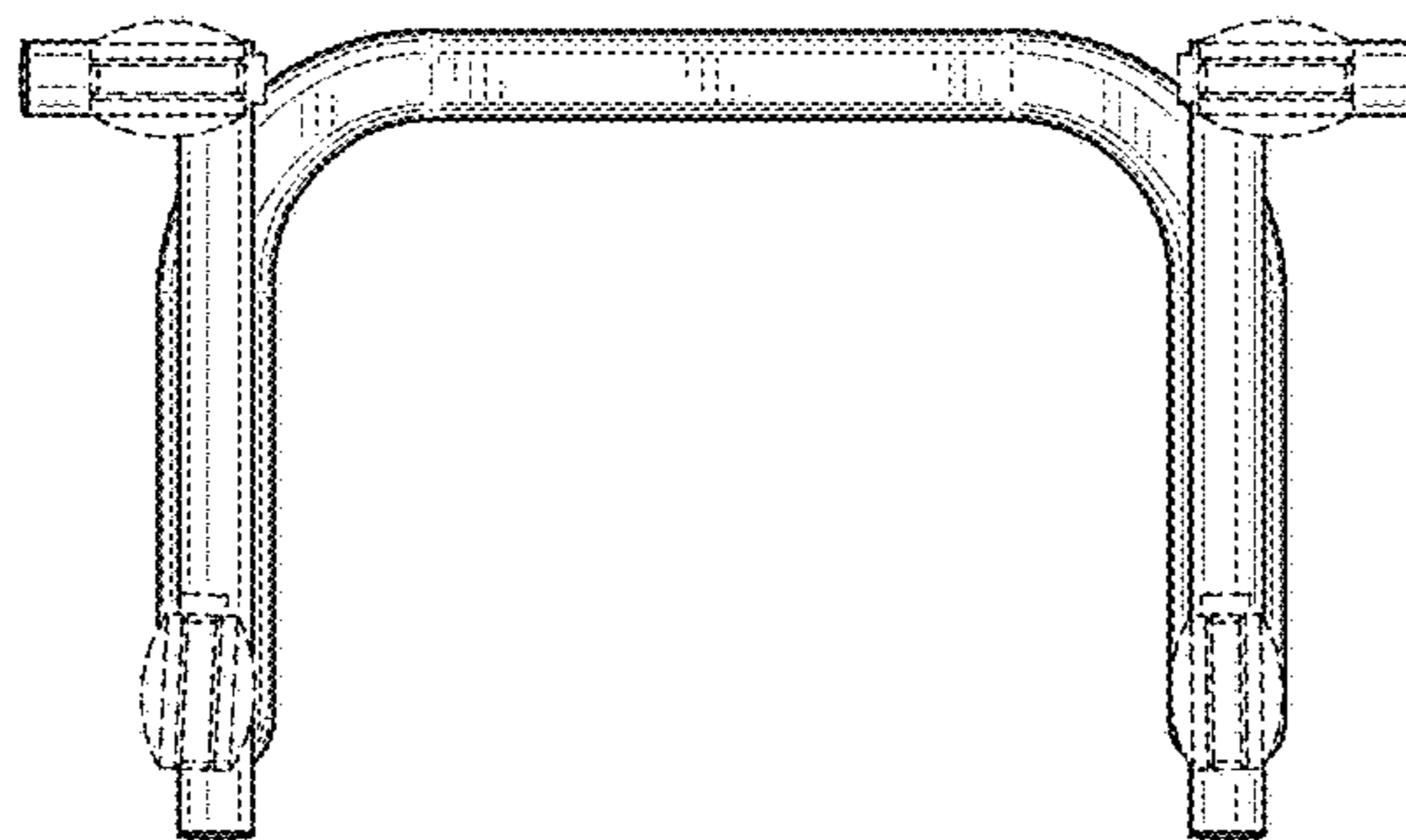


FIG. 8