



US00D867593S

(12) **United States Design Patent** (10) **Patent No.:** **US D867,593 S**  
**Baugh et al.** (45) **Date of Patent:** **\*\* Nov. 19, 2019**

(54) **PROSTHESIS FOR POST TISSUE RECOVERY**  
(71) Applicant: **BAUGH MEDICAL ORGANIZATION, LLC**, Hurricane, UT (US)  
(72) Inventors: **Jonathan M. Baugh**, Washington, UT (US); **Steven A. Baugh**, Hurricane, UT (US)  
(73) Assignee: **BAUGH MEDICAL ORGANIZATION, LLC**, Hurricane, UT (US)  
(\*\*) Term: **15 Years**  
(21) Appl. No.: **29/578,566**  
(22) Filed: **Sep. 22, 2016**  
(51) **LOC (12) Cl.** ..... **24-03**  
(52) **U.S. Cl.**  
USPC ..... **D24/155**  
(58) **Field of Classification Search**  
USPC ..... D24/155  
(Continued)

(56) **References Cited**  
U.S. PATENT DOCUMENTS  
4,459,709 A \* 7/1984 Leal ..... A61F 2/601  
156/60  
4,911,719 A \* 3/1990 Merle ..... A61F 2/4241  
623/23.39  
(Continued)

OTHER PUBLICATIONS  
Baugh Medical Website <http://baughmedical.com>, (9 pages) Based on information and belief, available at least as early as Jul. 27, 2016, accessed Jul. 27, 2016.

Primary Examiner — Charles D Hanson

(74) *Attorney, Agent, or Firm* — Workman Nydegger  
(57) **CLAIM**  
The ornamental design for a prosthesis for post tissue recovery, as shown.

**DESCRIPTION**  
FIG. 1 is an exploded perspective view of an arm prosthesis for post tissue recovery according to the present invention; FIG. 2 is a front perspective view of the arm prosthesis for post tissue recovery of FIG. 1, assembled, and adjusted for a short arm length; FIG. 3 is a rear perspective view of the arm prosthesis for post tissue recovery of FIG. 2; FIG. 4 is a front perspective view of the arm prosthesis for post tissue recovery of FIG. 2, adjusted for a longer arm length; FIG. 5 is a front view of the arm prosthesis for post tissue recovery as shown in FIG. 2; FIG. 6 is a rear view of the arm prosthesis for post tissue recovery as shown in FIG. 2; FIG. 7 is a first side view of the arm prosthesis for post tissue recovery as shown in FIG. 2; FIG. 8 is a second, opposite side view of the arm prosthesis for post tissue recovery as shown in FIG. 2; FIG. 9 is a top plan view of the arm prosthesis for post tissue recovery as shown in FIG. 2; FIG. 10 is a bottom view of the arm prosthesis for post tissue recovery as shown in FIG. 2; FIG. 11 is a front perspective view of a leg prosthesis for post tissue recovery according to the present invention; FIG. 12 is a rear perspective view of a leg prosthesis for post tissue recovery as shown in FIG. 11; FIG. 13 is a front view of the leg prosthesis for post tissue recovery as shown in FIG. 11; FIG. 14 is a rear view of the leg prosthesis for post tissue recovery as shown in FIG. 11; FIG. 15 is a first side view of the leg prosthesis for post tissue recovery as shown in FIG. 11; FIG. 16 is a second, opposite side view of the leg prosthesis for post tissue recovery as shown in FIG. 11; FIG. 17 is a top plan view of the leg prosthesis for post tissue recovery as shown in FIG. 11;

(Continued)

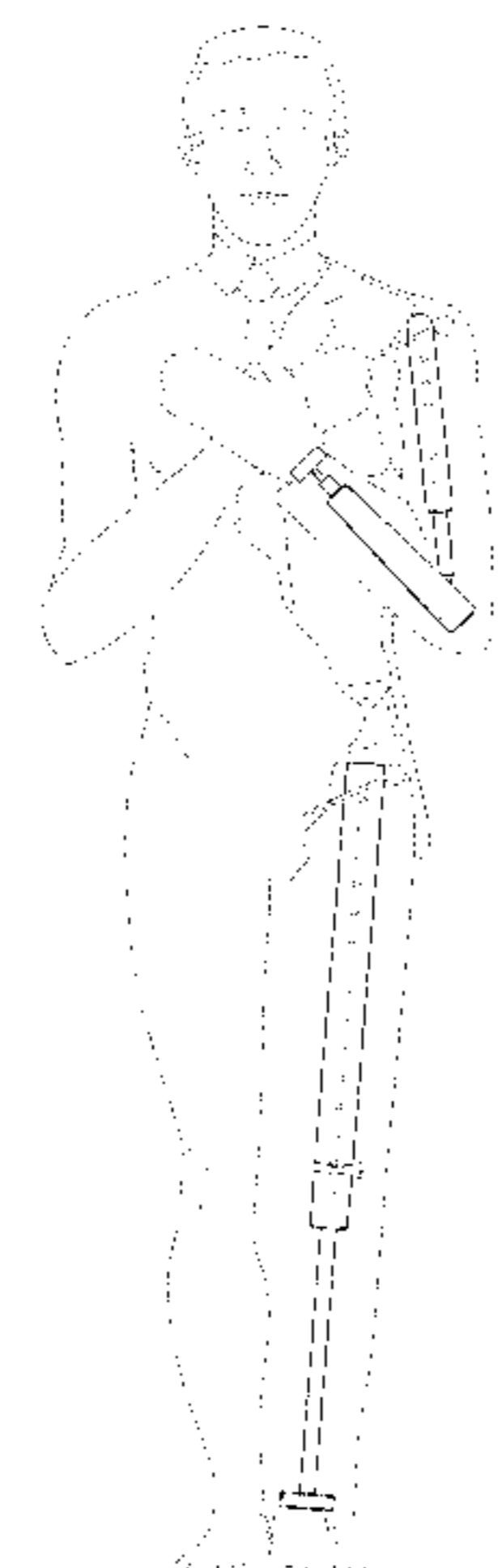


FIG. 18 is a bottom view of the leg prosthesis for post tissue recovery as shown in FIG. 11; and,

FIG. 19 shows how the arm and leg prosthesis of FIGS. 1-10 and 11-18, respectively may be placed within the body of a donor, post tissue recovery.

The prostheses for post tissue recovery may be formed from wood. Any broken lines shown are directed to environmental structure and are for illustrative purposes only. Such broken lines form no part of the claimed design.

**1 Claim, 9 Drawing Sheets**

(58) **Field of Classification Search**

CPC ..... A61F 2/80; A61F 2/60; A61F 2/76; A61F 2/68; A61F 2/64; A61F 2220/0025; A61F 2220/41; A61F 2002/607; A61F 2002/802; A61F 2002/5007

See application file for complete search history.

(56)

**References Cited**

U.S. PATENT DOCUMENTS

D325,084	S *	3/1992	Martinez .....	D24/155
5,133,761	A *	7/1992	Krouskop .....	A61F 2/30767
				623/21.16
5,458,656	A *	10/1995	Phillips .....	A61F 2/66
				623/27
5,549,681	A *	8/1996	Segmuller .....	A61F 2/4241
				623/23.4
6,368,357	B1 *	4/2002	Schon .....	A61F 2/7843
				601/152
9,039,779	B2 *	5/2015	Winslow .....	A61F 2/3804
				623/20.12
9,445,912	B2 *	9/2016	Oster .....	A61F 2/4261
9,974,579	B2 *	5/2018	Casola .....	A61B 17/72
2010/0130978	A1 *	5/2010	Orbay .....	A61B 17/1782
				606/62
2011/0160728	A1 *	6/2011	Blitz .....	A61B 17/1725
				606/64

\* cited by examiner

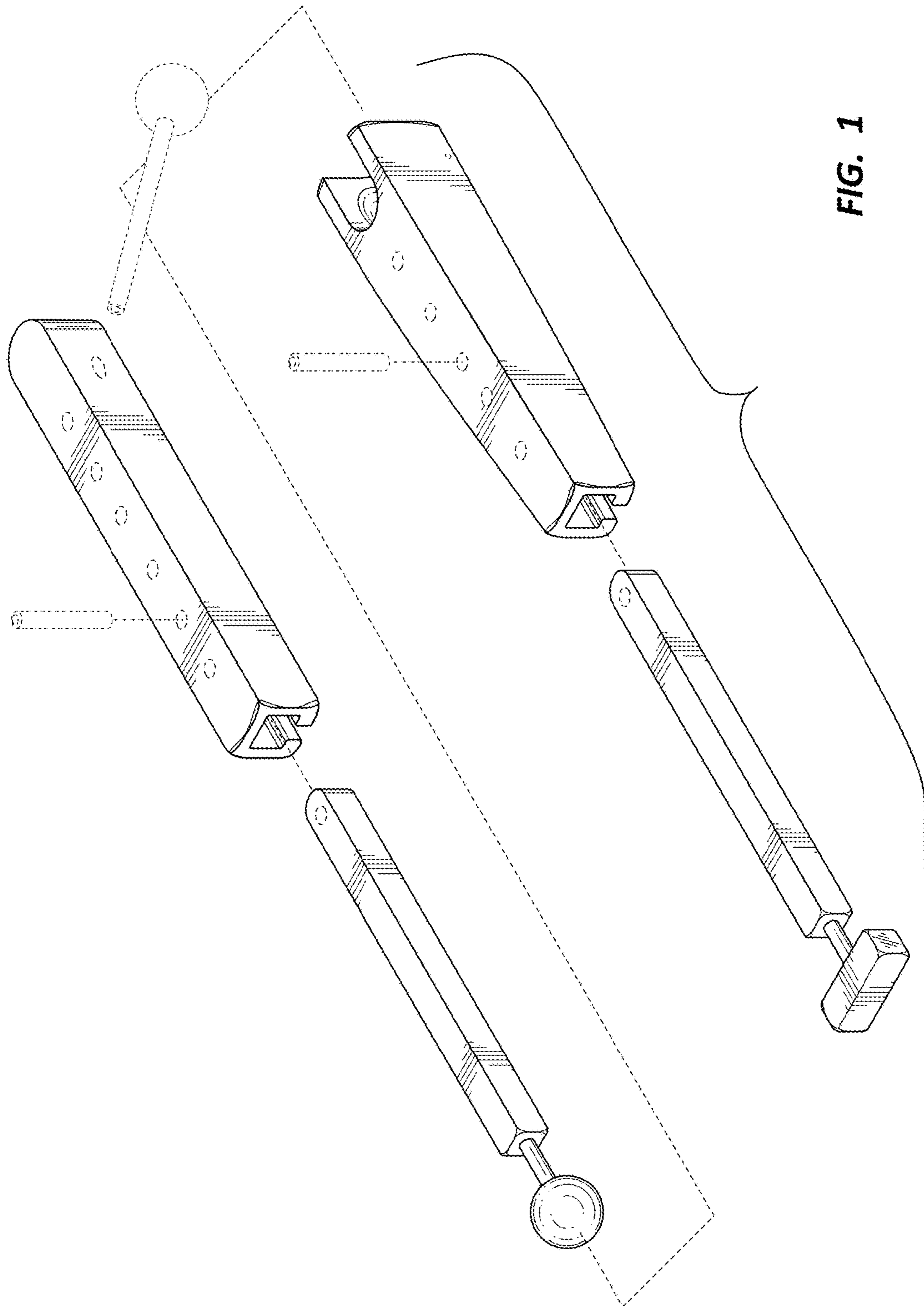


FIG. 1

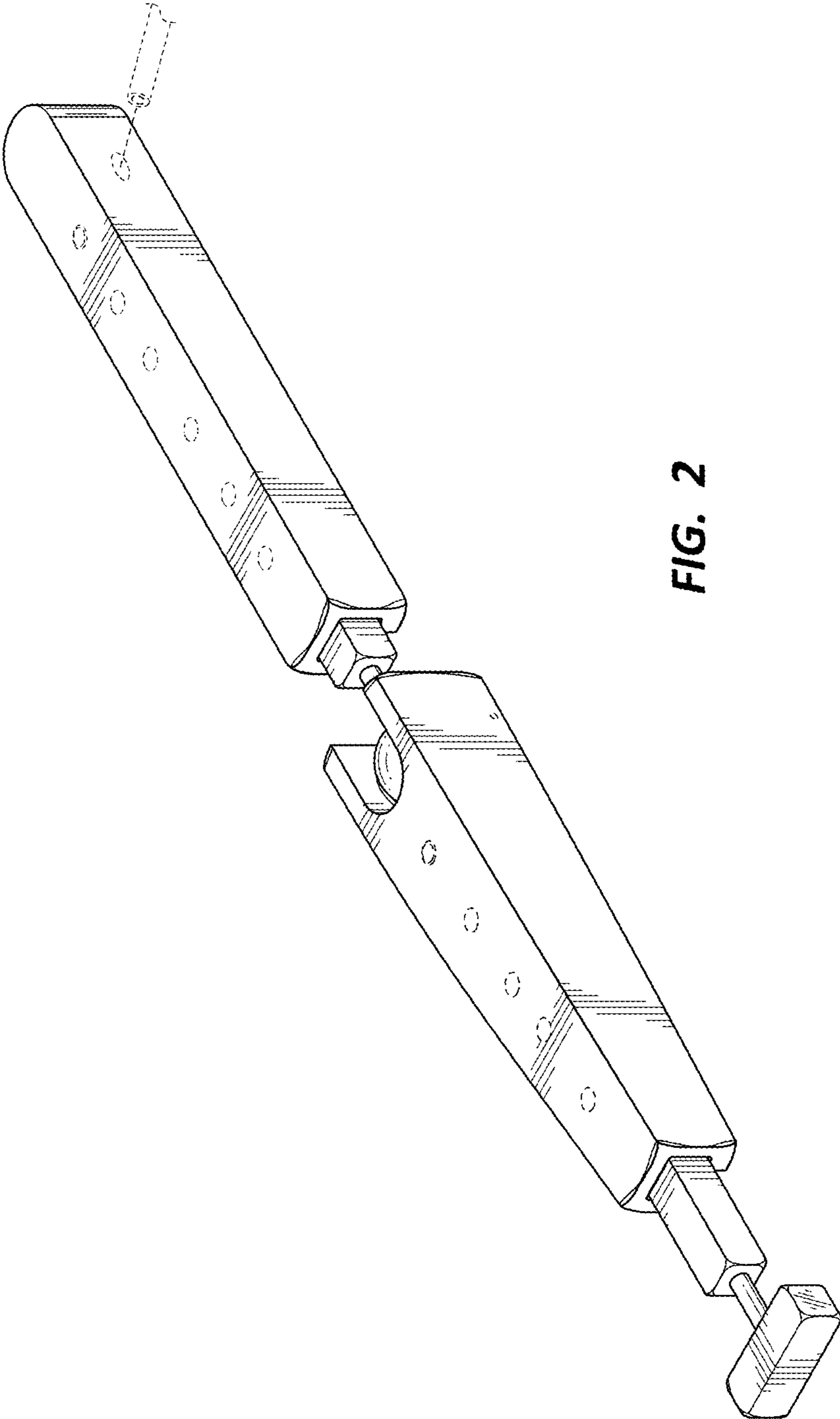


FIG. 2

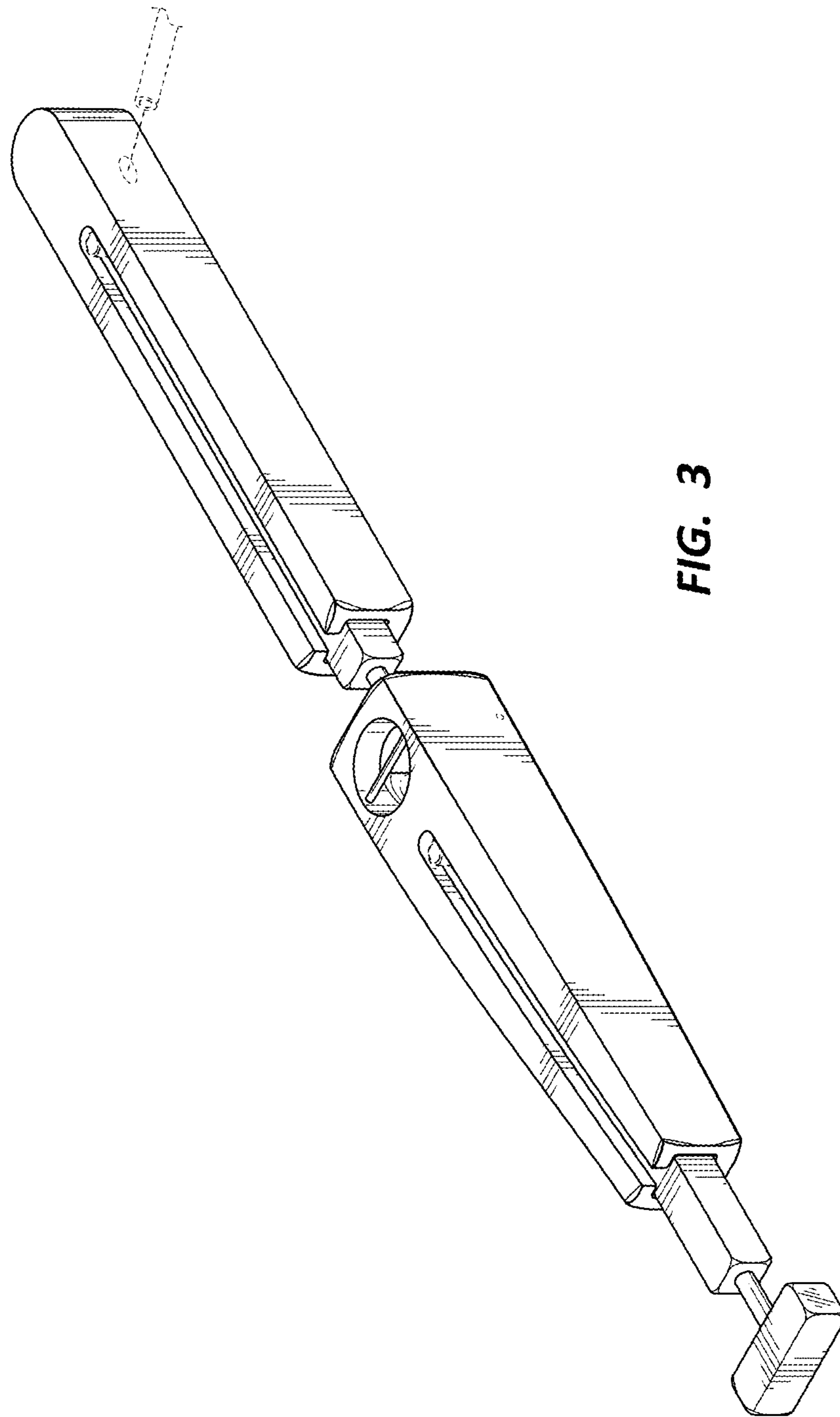


FIG. 3



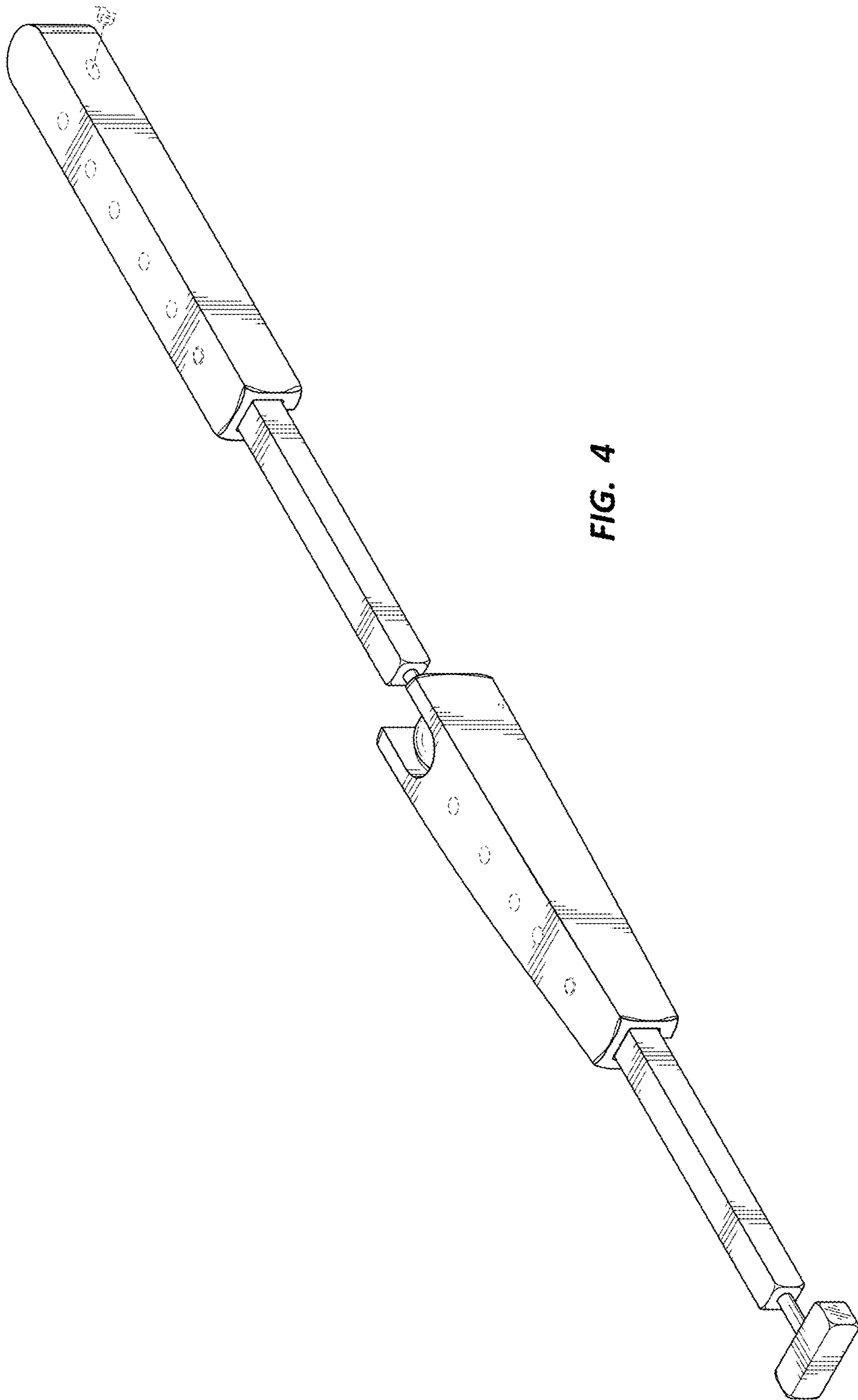
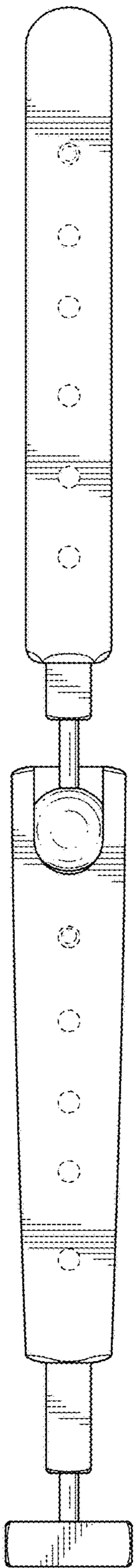
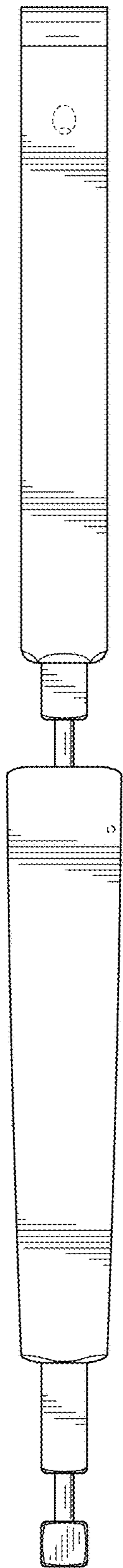


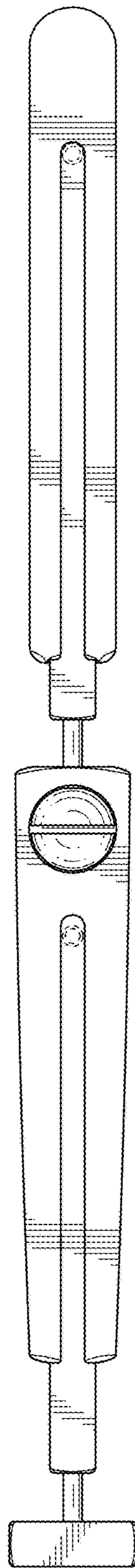
FIG. 4



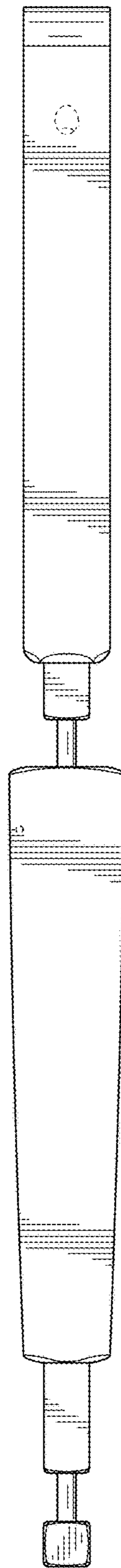
**FIG. 5**



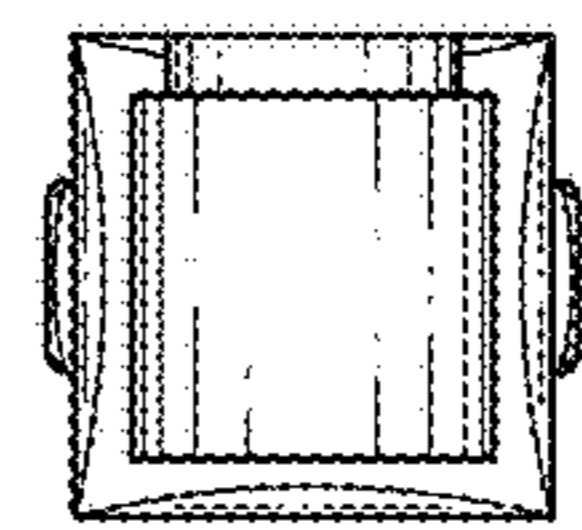
**FIG. 7**



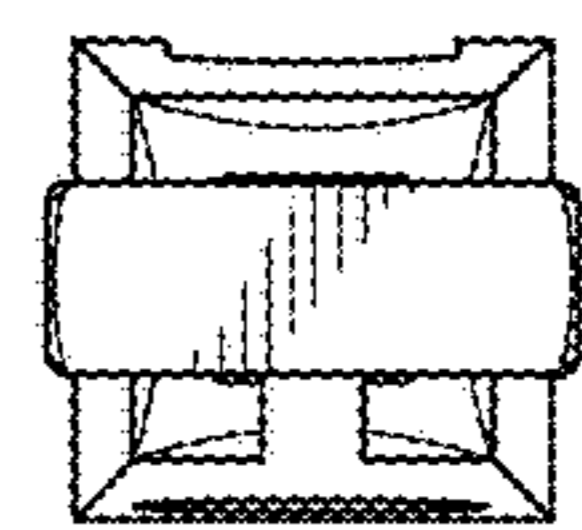
**FIG. 6**



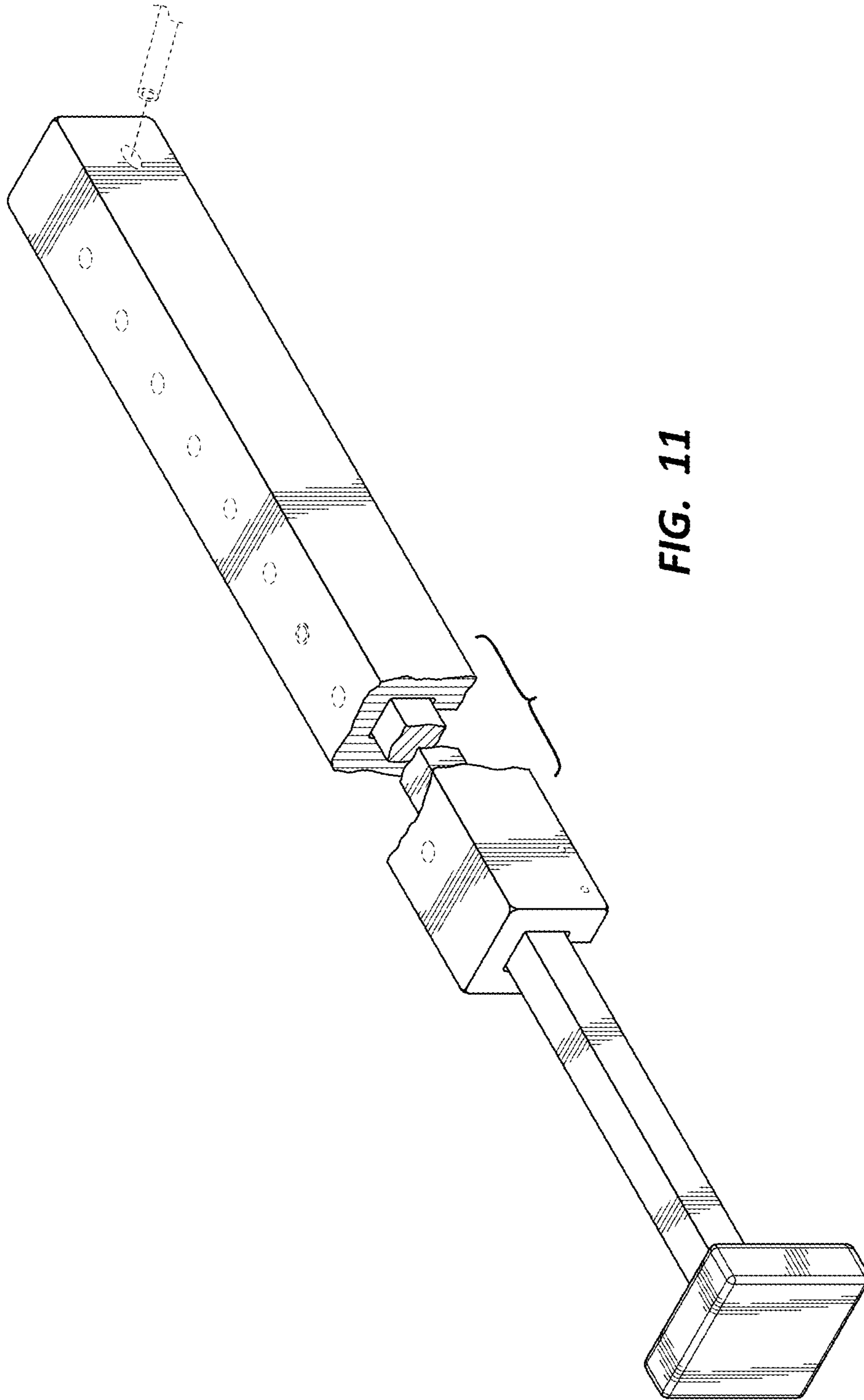
**FIG. 8**



**FIG. 9**



**FIG. 10**



**FIG. 11**



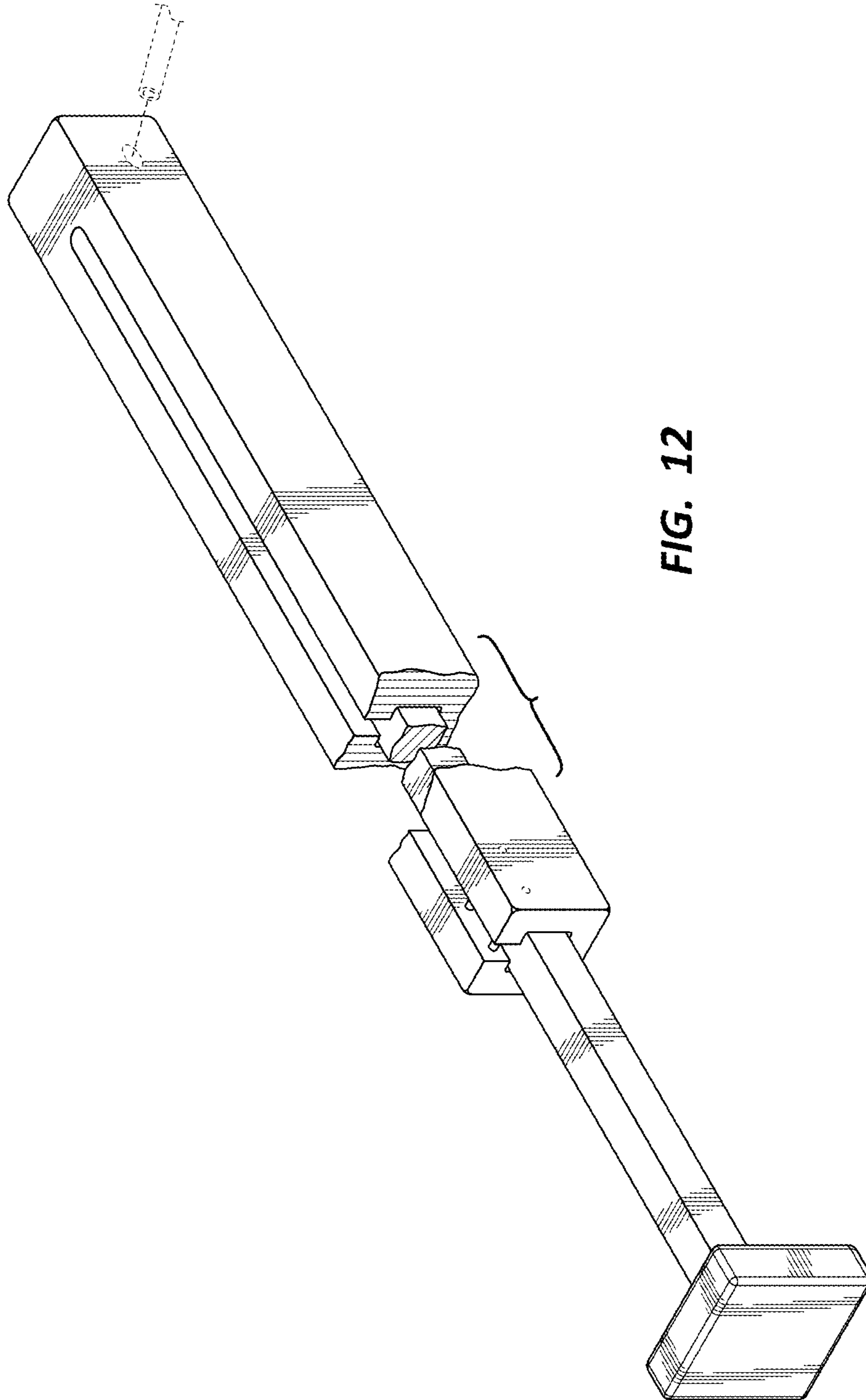


FIG. 12

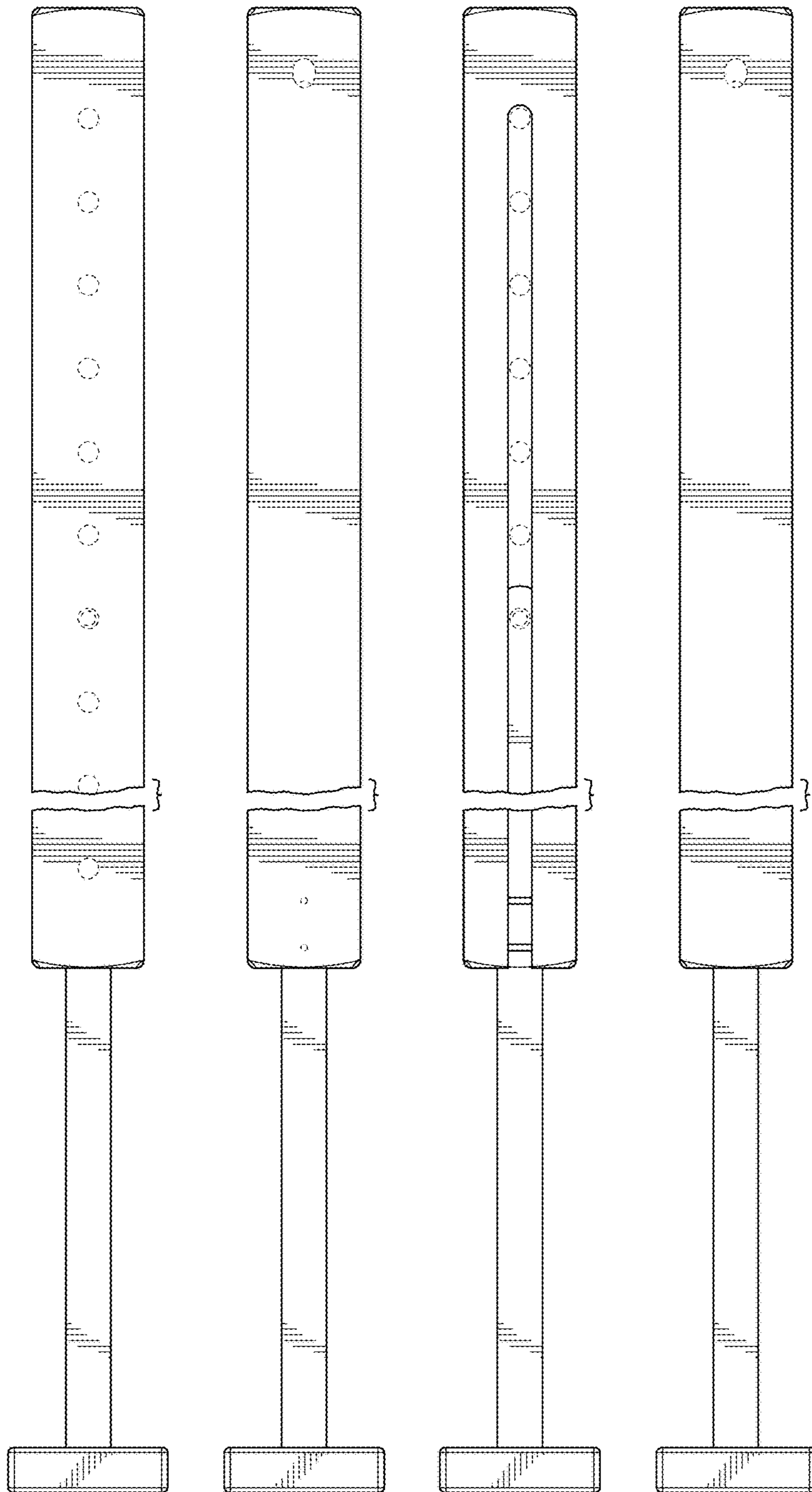


FIG. 13

FIG. 15

FIG. 14

FIG. 16

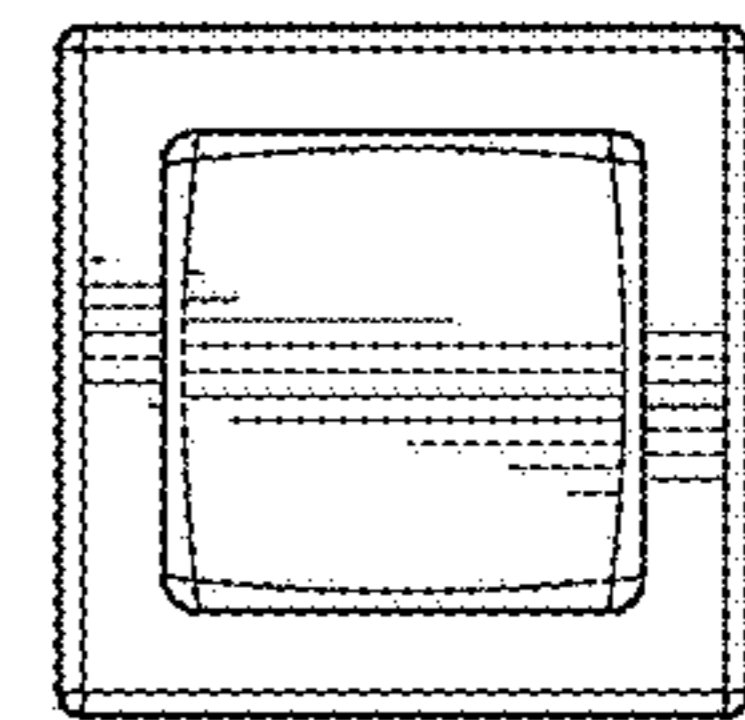


FIG. 17

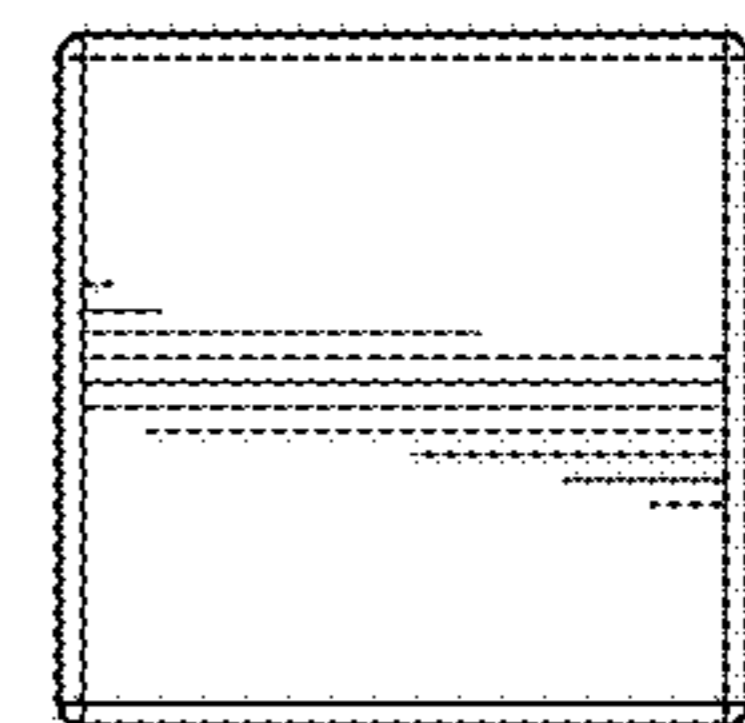
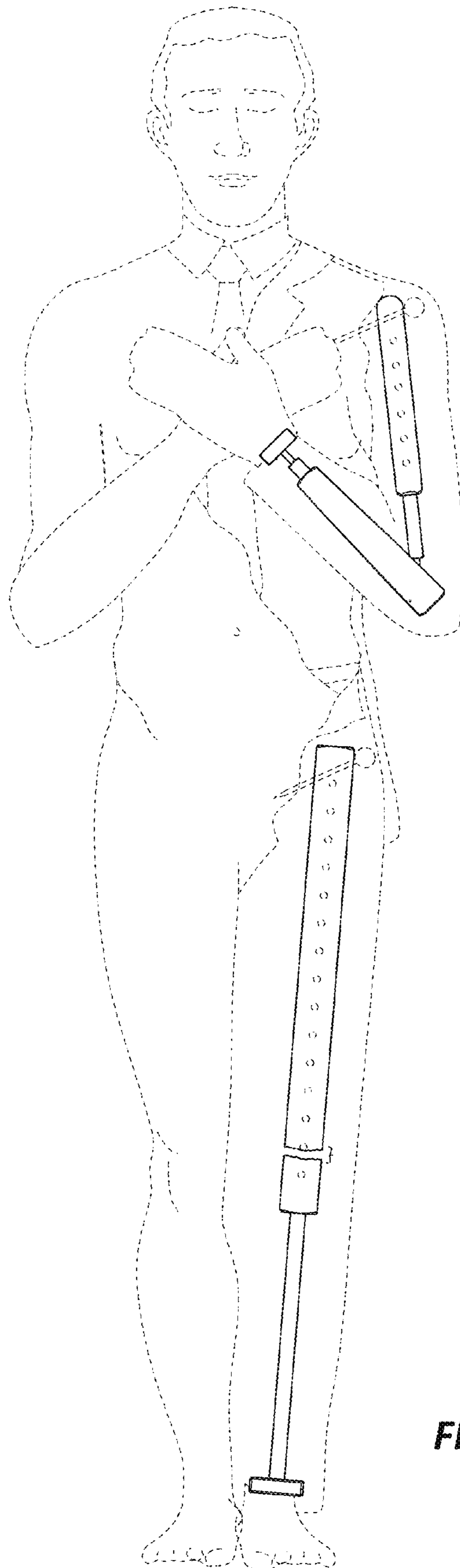


FIG. 18



**FIG. 19**