



US00D867590S

(12) **United States Design Patent** (10) **Patent No.:** **US D867,590 S**
Engler et al. (45) **Date of Patent:** **** Nov. 19, 2019**

(54) **MEDICAL CAMERA DEVICE**
(71) Applicant: **AESCULAP AG**, Tuttlingen (DE)
(72) Inventors: **Bertold Engler**, München (DE); **Bram van Krieken**, München (DE)
(73) Assignee: **Aesculap AG** (DE)
(**) Term: **15 Years**
(21) Appl. No.: **29/607,349**
(22) Filed: **Jun. 12, 2017**

(30) **Foreign Application Priority Data**
Dec. 13, 2016 (EM) 003514983
(51) **LOC (12) Cl.** **24-02**
(52) **U.S. Cl.**
USPC **D24/138; D16/219**
(58) **Field of Classification Search**
USPC D16/200, 202–206, 208, 218, 219, 242;
D24/133, 137, 138, 222, 141, 108, 111,
D24/113, 127, 143, 148, 179, 216,
D24/152–154, 176; 348/164, 347,
348/373–376; 396/535, 539–541;
250/330, 332
CPC G03B 15/03; G03B 17/02; G03B 17/04;
G03B 17/56; G03B 19/04; H04N 5/2251;
H04N 5/2252; H04N 5/2253; H04N
5/2254; H04N 2101/00; H04N 5/33;
H04N 5/332; A61B 1/00128; A61B
1/018; A61B 17/320016; A61B 17/3423;
A61B 1/00135; A61B 1/12; A61B
2017/00477; A61B 2017/347; A61B
17/00234
See application file for complete search history.

(56) **References Cited**
U.S. PATENT DOCUMENTS
5,662,584 A * 9/1997 Hori A61B 1/00096
348/65
D474,276 S * 5/2003 Greise D16/202

D501,864 S * 2/2005 Greise D16/202
D523,455 S * 6/2006 Greise D16/202
7,852,371 B2 * 12/2010 Konstorum A61B 1/00039
348/65
D643,534 S * 8/2011 Halleck D16/202
D651,312 S * 12/2011 Halleck D16/202
D672,462 S * 12/2012 Campo D24/138
D709,192 S * 7/2014 Czupalla D24/138
D716,942 S * 11/2014 Eisenkolb D24/138
D761,425 S * 7/2016 Kult
D768,854 S * 10/2016 Halleck D24/138
D773,661 S * 12/2016 Funakoshi D24/138
D785,174 S * 4/2017 Osada D16/219

* cited by examiner

Primary Examiner — Ramzi S Almatrahi
(74) *Attorney, Agent, or Firm* — RatnerPrestia

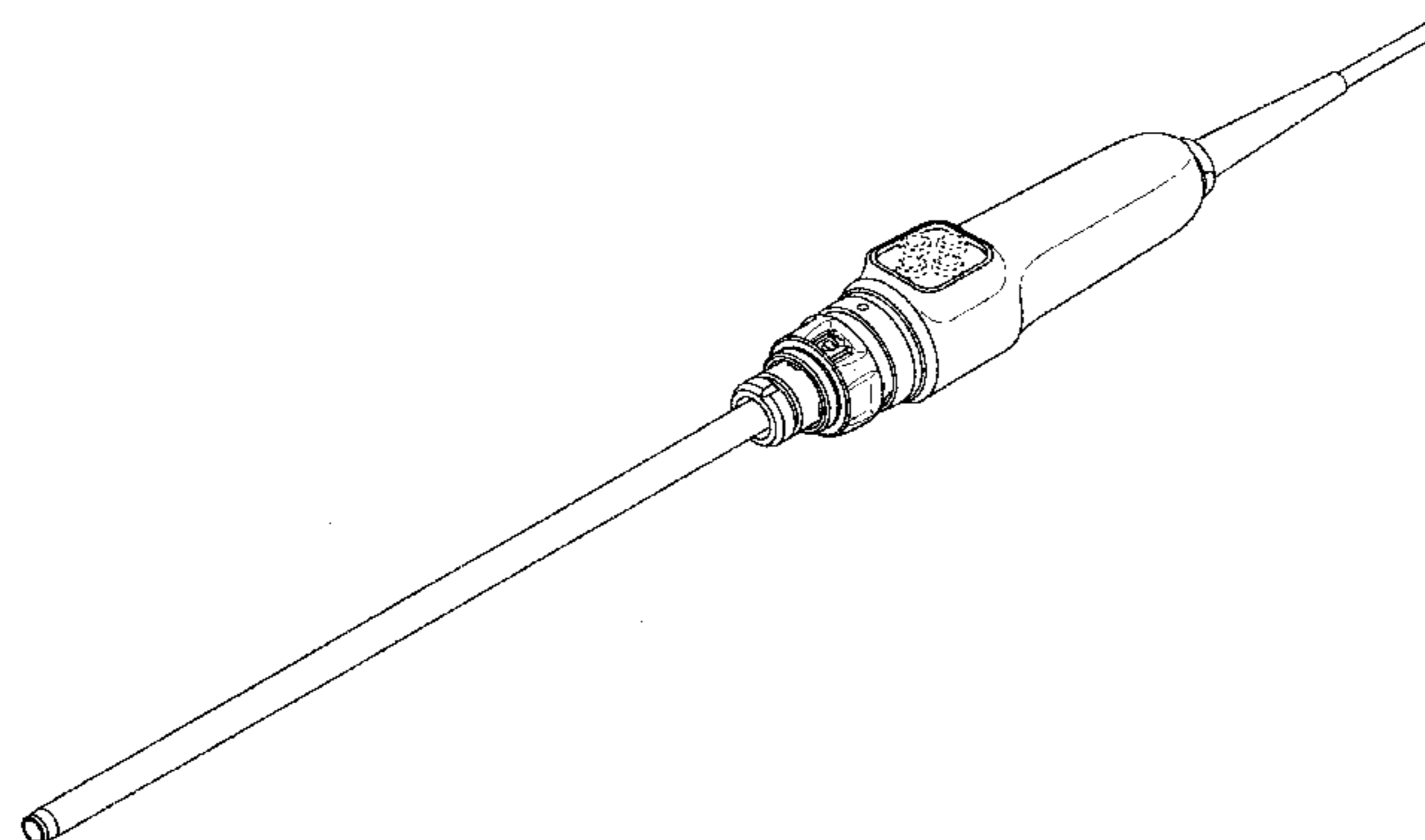
(57) **CLAIM**

The ornamental design for a medical camera device, as shown and described.

DESCRIPTION

FIG. 1 is a perspective view of a medical camera device showing our new design;
FIG. 2 is first side view of the medical camera device;
FIG. 3 is a second side view of the medical camera device;
FIG. 4 is a top view of the medical camera device;
FIG. 5 is a bottom view of the medical camera device;
FIG. 6 is an enlarged scale front view of the medical camera device; and,
FIG. 7 is an enlarged scale rear view of the medical camera device.
The broken lines depict portions of a medical camera device in which the design is embodied that form no part of the claimed design.

1 Claim, 7 Drawing Sheets



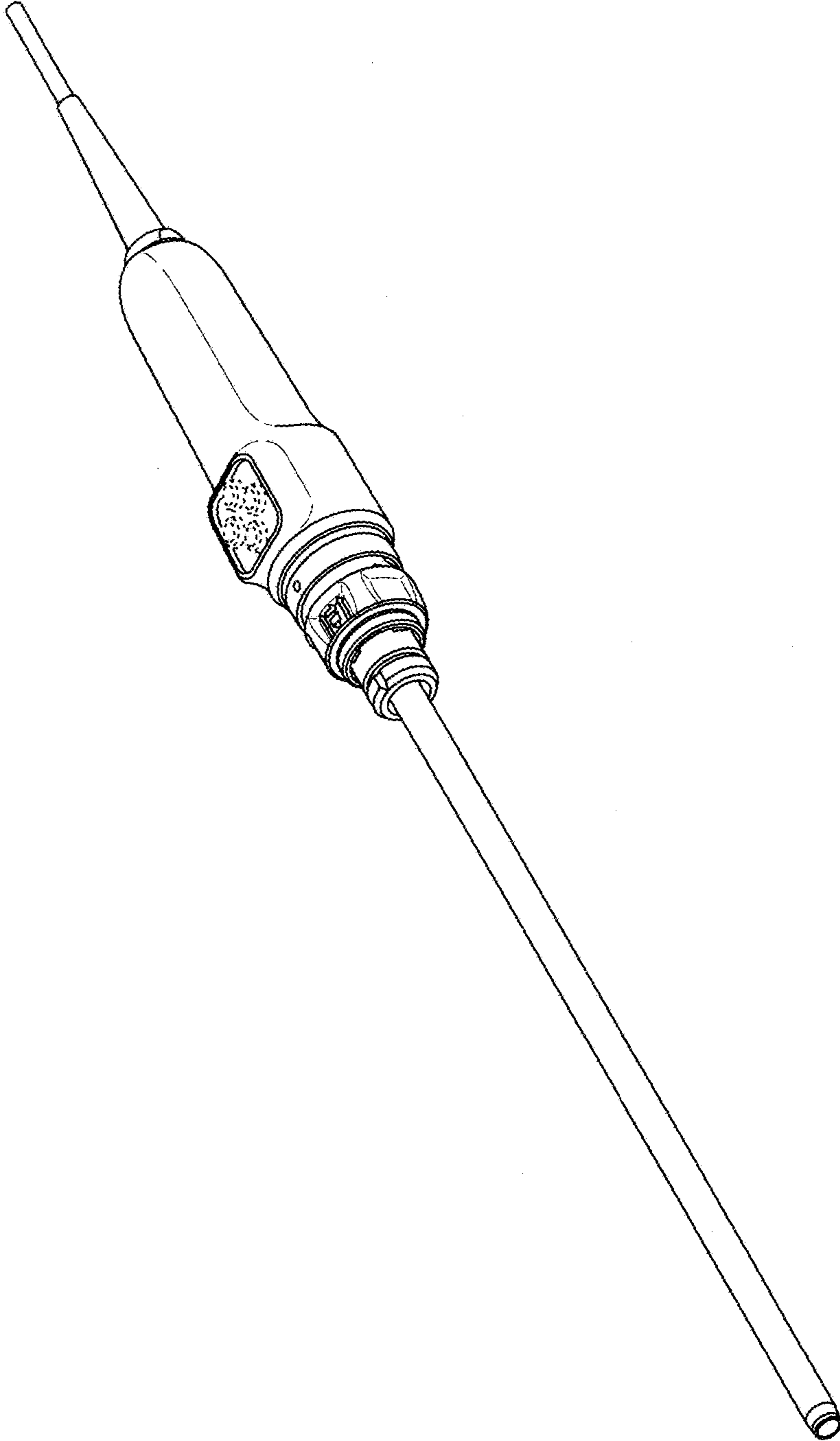


FIG. 1

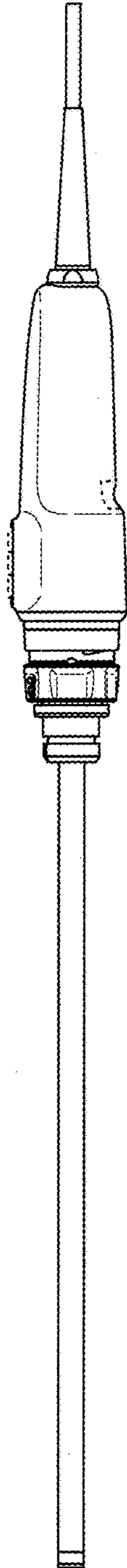


FIG. 2

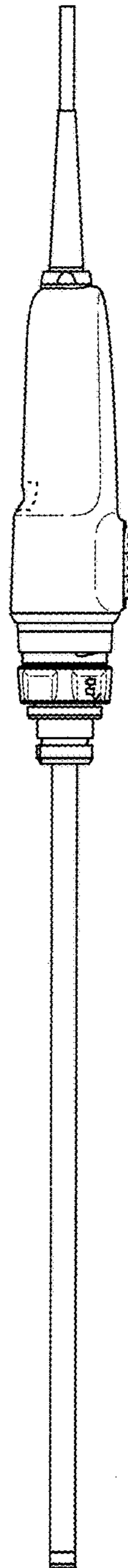


FIG. 3

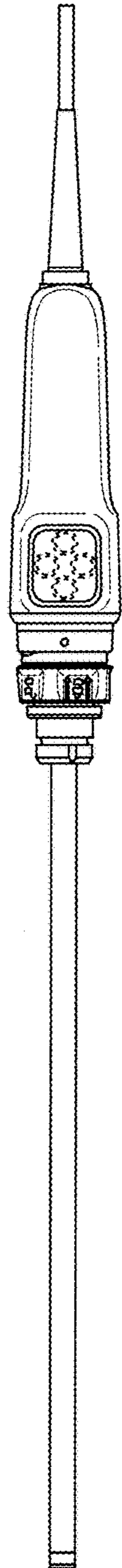


FIG. 4

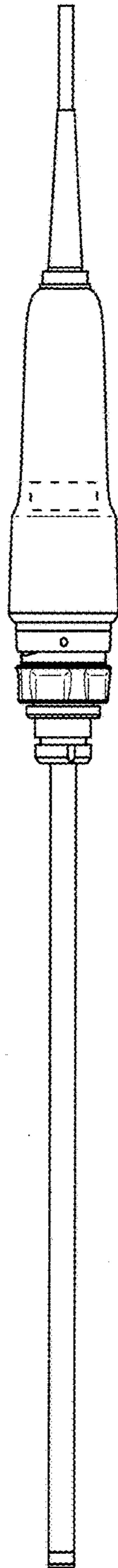


FIG. 5

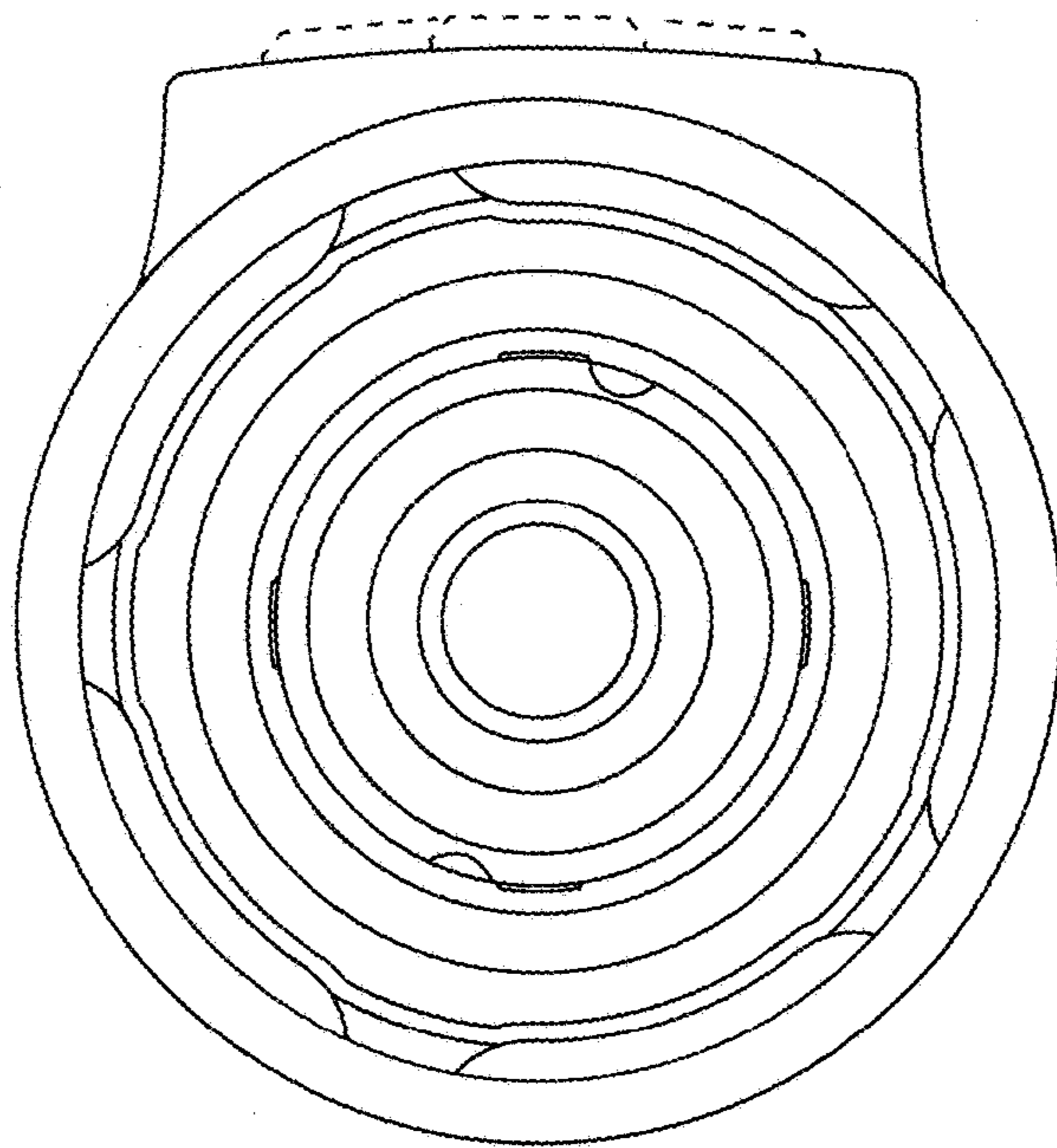


FIG. 6

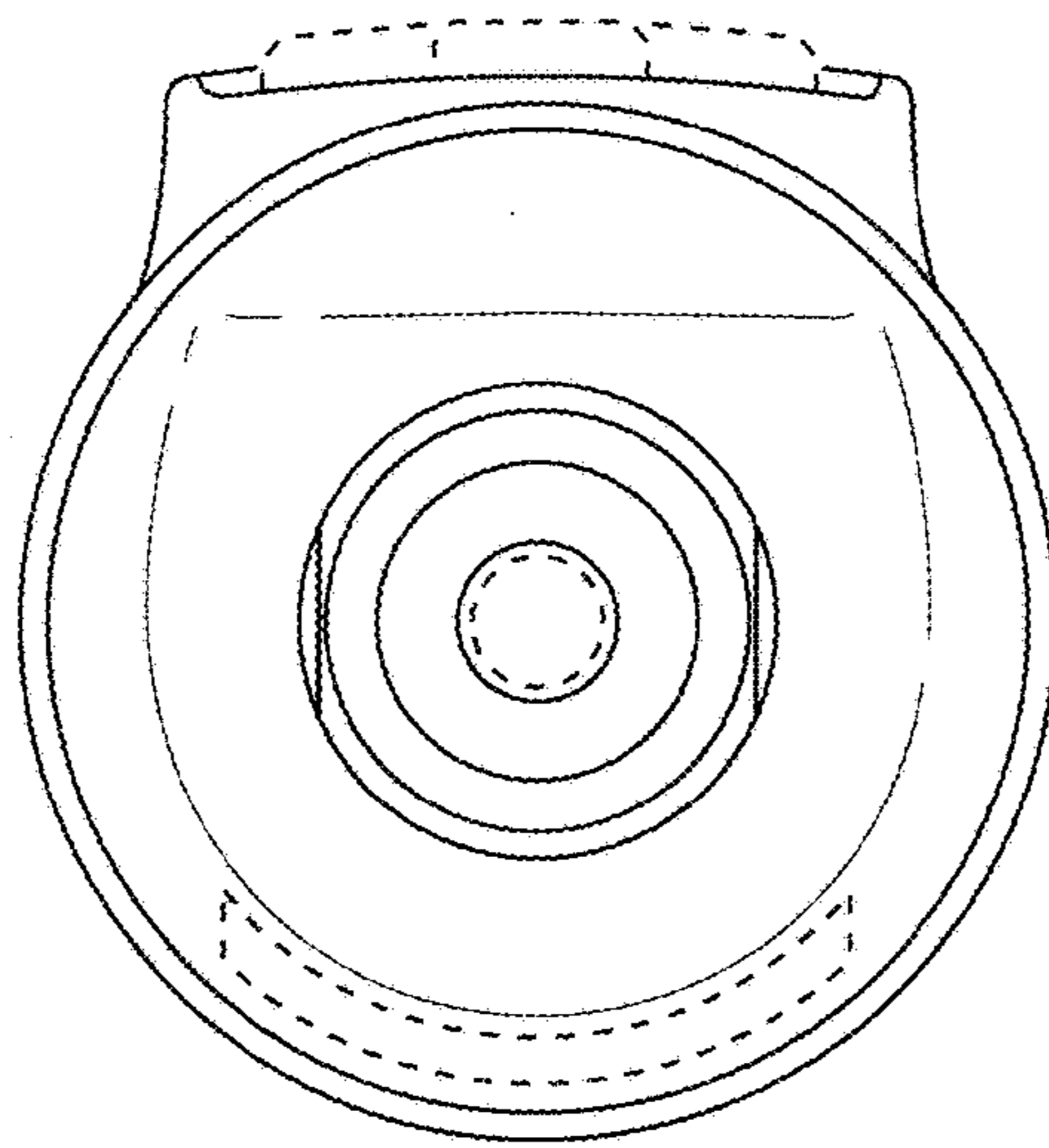


FIG. 7