



US00D867589S

(12) **United States Design Patent** (10) **Patent No.:** **US D867,589 S**
Dai (45) **Date of Patent:** **** Nov. 19, 2019**

- (54) **STEERABLE STRUCTURE FOR ENDOSCOPE**
- (71) Applicant: **PIONEER MEDICAL INSTRUMENT CO., LTD.**, New Taipei (TW)
- (72) Inventor: **Chun-Yi Dai**, New Taipei (TW)
- (73) Assignee: **PIONEER MEDICAL INSTRUMENT CO., LTD.**, New Taipei (TW)
- (**) Term: **15 Years**
- (21) Appl. No.: **29/598,254**
- (22) Filed: **Mar. 23, 2017**
- (51) **LOC (12) Cl.** **24-02**
- (52) **U.S. Cl.**
USPC **D24/138**
- (58) **Field of Classification Search**
USPC D24/108, 117, 118, 133, 135, 137, 138, D24/141, 222; 600/108, 114, 153, 549, 600/131, 145-147, 132
CPC A61B 18/1445; A61B 18/02; A61B 18/14; A61B 2018/147; A61B 1/00; A61B 1/0676; A61B 1/00052
See application file for complete search history.

(56) **References Cited**

U.S. PATENT DOCUMENTS

| | | | | | | |
|--------------|------|--------|-----------|-------|--------------|---------|
| 4,198,959 | A * | 4/1980 | Otani | | A61B 1/00098 | 600/106 |
| 4,807,593 | A * | 2/1989 | Ito | | A61B 1/00154 | 600/104 |
| D748,370 | S * | 2/2016 | Johnson | | D2/605 | |
| D757,262 | S * | 5/2016 | Barki | | D24/138 | |
| D764,054 | S * | 8/2016 | Frock | | D24/133 | |
| 10,029,079 | B2 * | 7/2018 | Alexander | | A61B 1/00016 | |
| 2006/0015009 | A1 * | 1/2006 | Jaffe | | A61B 1/0008 | 600/114 |

- 2006/0015010 A1* 1/2006 Jaffe A61B 1/0008 600/114
 - 2007/0043259 A1* 2/2007 Jaffe A61B 1/0008 600/114
 - 2009/0204183 A1* 8/2009 Kreidler A61N 1/05 607/72
 - 2009/0312606 A1* 12/2009 Dayton A61B 1/00071 600/146
 - 2010/0076433 A1* 3/2010 Taylor A61B 18/1445 606/52
 - 2014/0221750 A1* 8/2014 Weitzner A61B 1/00073 600/114
 - 2016/0038719 A1* 2/2016 Asmus A61B 17/3207 600/585
 - 2016/0235274 A1* 8/2016 Graham A61B 1/0011
 - 2017/0086652 A1* 3/2017 Nakade G02B 23/24
 - 2017/0143189 A1* 5/2017 Frey A61B 1/00135
- (Continued)

Primary Examiner — Ian Simmons
Assistant Examiner — Yolanda Robinson
 (74) *Attorney, Agent, or Firm* — Fei-hung Yang

(57) **CLAIM**

The ornamental design for a steerable structure for endoscope, as shown and described.

DESCRIPTION

FIG. 1 is a perspective view of a steerable structure for endoscope showing our new design; FIG. 2 is a front elevational view thereof; FIG. 3 is a rear elevational view thereof; FIG. 4 is a left side view thereof; FIG. 5 is a right side view thereof; FIG. 6 is a top plan view thereof; and FIG. 7 is a bottom plan view thereof; and, FIG. 8 is another perspective view thereof. The break included along the length of the steerable structure for endoscope as seen in FIGS. 1-5 of the drawing disclosure is for ease of illustration.

1 Claim, 5 Drawing Sheets



(56)

References Cited

U.S. PATENT DOCUMENTS

2017/0224192 A1* 8/2017 Seto A61B 1/00
2017/0251910 A1* 9/2017 Surti A61B 1/00098
2017/0311780 A1* 11/2017 Weitzner A61B 1/00073
2017/0319047 A1* 11/2017 Poulsen A61B 1/0008
2018/0008125 A1* 1/2018 Pistor A61B 1/0055
2018/0325357 A1* 11/2018 Boulais A61B 1/00103
2018/0368664 A1* 12/2018 Nagda A61B 1/00133
2019/0059700 A1* 2/2019 Matsuda A61B 1/0052
2019/0060612 A1* 2/2019 Besselink A61M 25/0053
2019/0069878 A1* 3/2019 Irie A61B 1/0057
2019/0082935 A1* 3/2019 Kitanaka A61B 1/0055

* cited by examiner

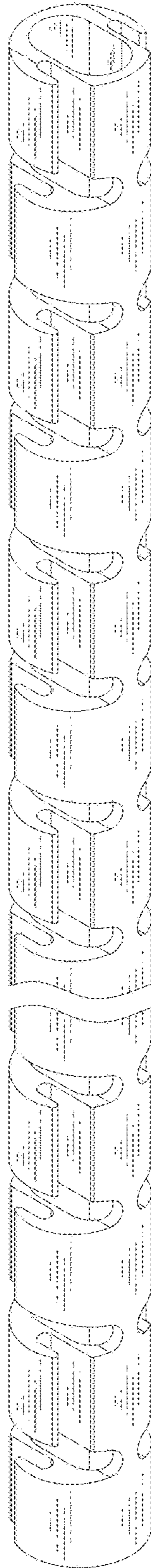


Fig. 1

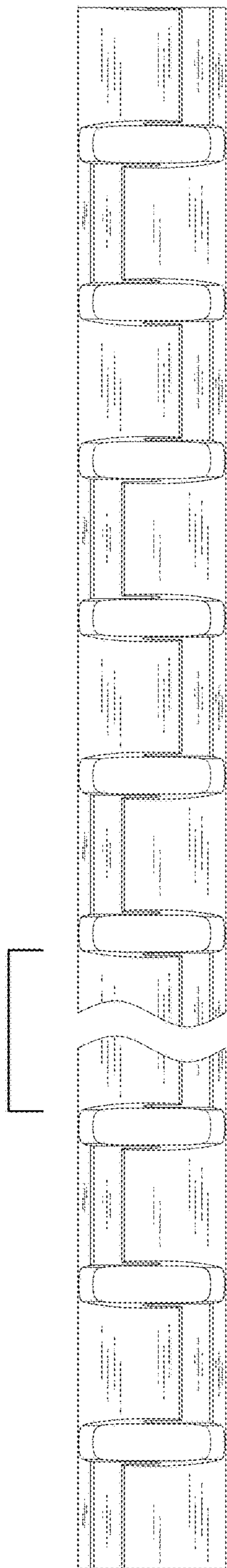


Fig. 2

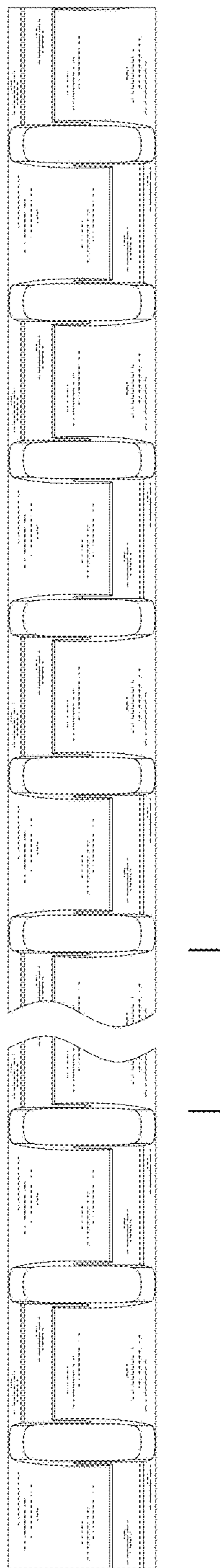


Fig. 3

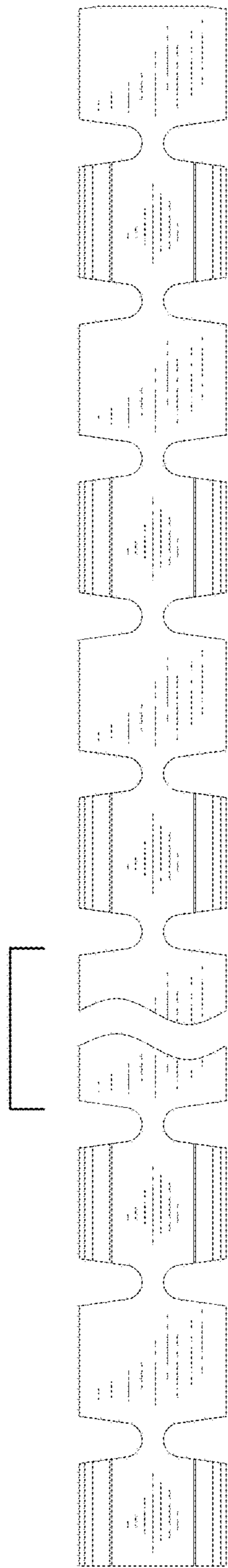


Fig. 4

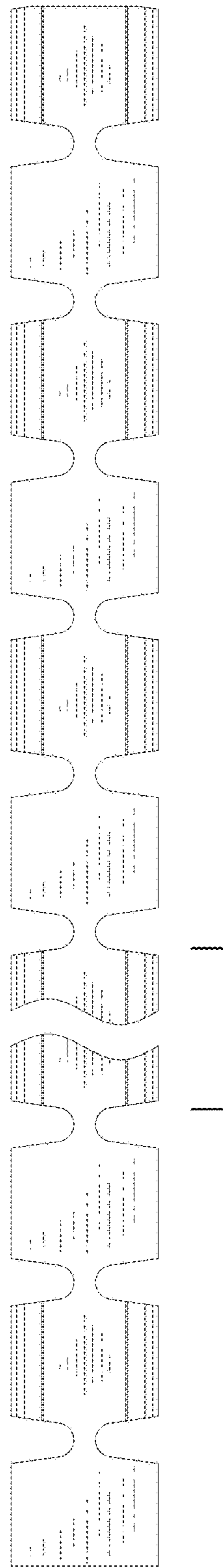


Fig. 5

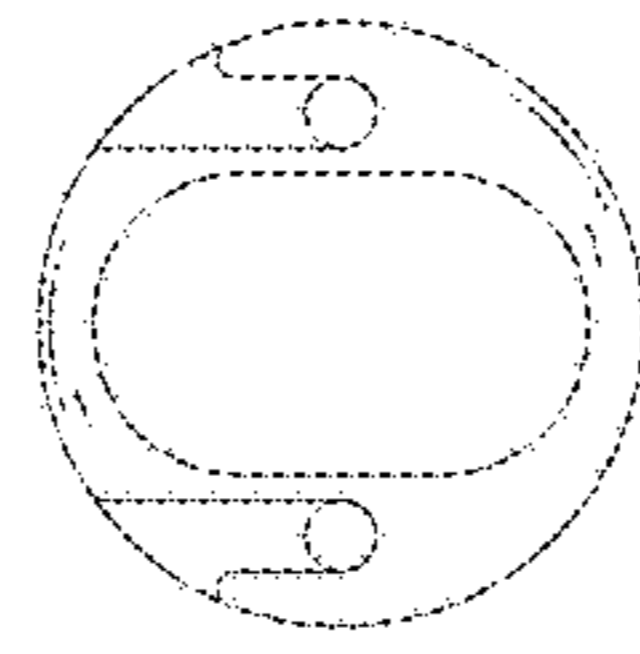


Fig. 6

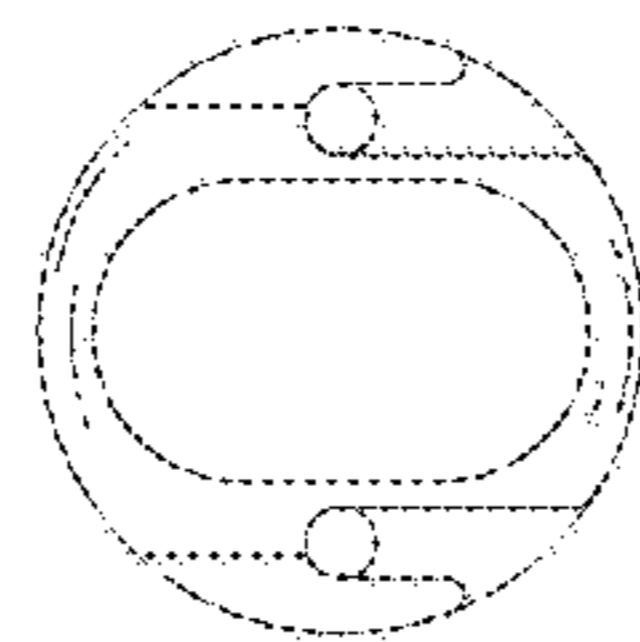


Fig. 7

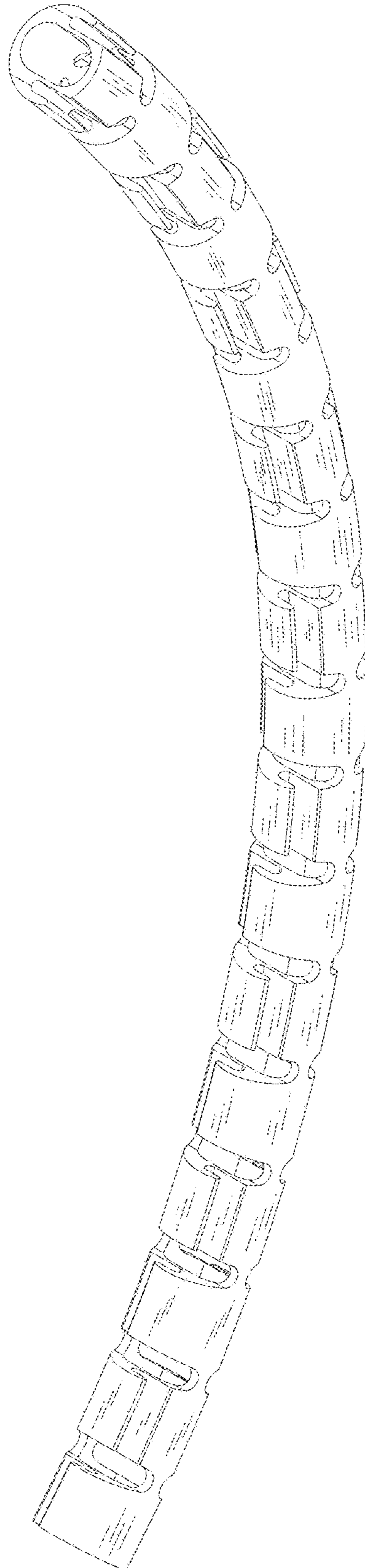


Fig. 8