



US00D867588S

(12) **United States Design Patent** (10) **Patent No.:** **US D867,588 S**  
**Rogge et al.** (45) **Date of Patent:** **\*\* Nov. 19, 2019**

(54) **CAP OF AN INJECTION DEVICE**  
(71) Applicant: **Sanofi**, Paris (FR)  
(72) Inventors: **Christian Rogge**, München (DE); **Philipp Oster**, München (DE); **Carolin Frontzek**, München (DE); **James Collins**, Bridgewater, NJ (US); **Alex Zuyev**, Frankfurt am Main (DE); **Kai Scheinert**, Frankfurt am Main (DE); **Uwe Dasbach**, Frankfurt am Main (DE)  
(73) Assignee: **Sanofi**, Paris (FR)  
(\*\*) Term: **15 Years**  
(21) Appl. No.: **29/648,584**  
(22) Filed: **May 22, 2018**  
(51) **LOC (12) Cl.** ..... **24-02**  
(52) **U.S. Cl.**  
USPC ..... **D24/130**  
(58) **Field of Classification Search**  
USPC ..... D24/127–131, 112–114, 133, 186;  
606/181, 185; 604/264, 272, 115, 232,  
604/187, 158, 164.08, 192, 263, 163, 181,  
604/184, 198, 227; 600/101, 139, 143;  
128/200.24, 207.14, 207.15;  
D19/115–123, 177, 193  
CPC ..... A61M 5/3156; A61M 5/31591; A61M  
5/3155; A61M 5/3157; A61M 5/24;  
A61M 5/31501; A61M 5/31551; A61M  
5/31585; A61M 2005/2407; A61M  
2005/2492; A61M 2205/581; A61M  
2205/582  
See application file for complete search history.

(56) **References Cited**  
U.S. PATENT DOCUMENTS  
D302,206 S \* 7/1989 McAlister ..... D24/130  
D347,894 S \* 6/1994 Hansen ..... D24/114

D430,293 S \* 8/2000 Jansen ..... D24/129  
D496,101 S \* 9/2004 Davison ..... D24/112  
D568,469 S \* 5/2008 Sudo ..... D24/130  
D616,984 S \* 6/2010 Gilboa ..... D24/129  
D777,912 S \* 1/2017 Wohlfahrt ..... D24/130  
D779,057 S \* 2/2017 Wohlfahrt ..... D24/130  
D783,816 S \* 4/2017 Wohlfahrt ..... D24/130  
D787,052 S \* 5/2017 Heinz ..... D24/130  
D787,669 S \* 5/2017 Huang ..... D24/130  
D789,528 S \* 6/2017 Wohlfahrt ..... D24/130  
D794,781 S \* 8/2017 Gilbert ..... D24/129  
9,844,629 B2 \* 12/2017 Cronenberg ..... A61M 5/50  
D822,198 S \* 7/2018 Stonecipher ..... D24/113  
D831,198 S \* 10/2018 Ross ..... D24/127  
D834,187 S \* 11/2018 Ryan ..... A61M 39/20  
D24/130  
2004/0054336 A1 \* 3/2004 Klint ..... A61M 5/347  
604/272  
2004/0097882 A1 \* 5/2004 DiBiasi ..... A61J 1/2096  
604/199

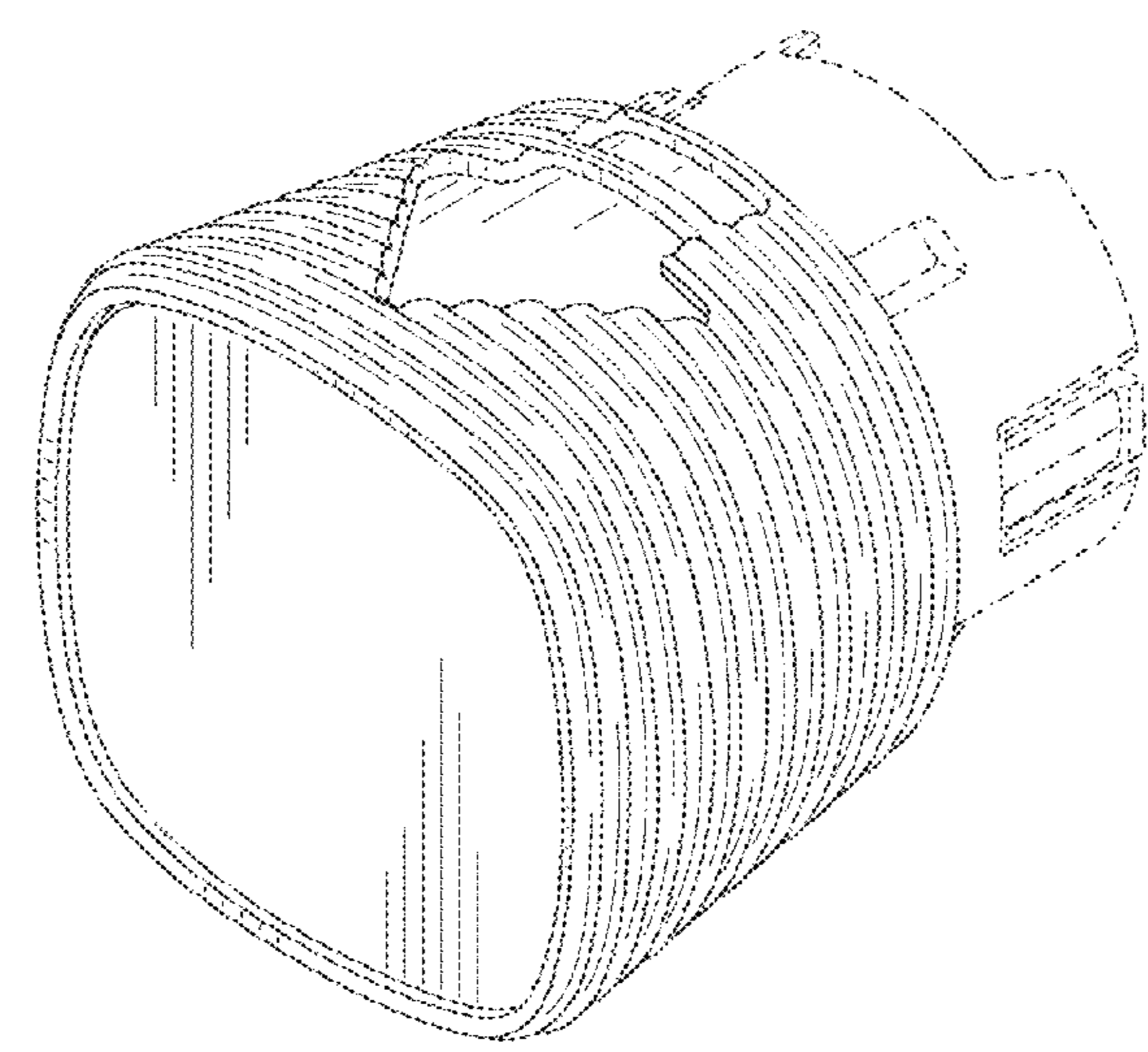
(Continued)

*Primary Examiner* — David G Muller  
*Assistant Examiner* — Nathan M Johnston  
(74) *Attorney, Agent, or Firm* — Fish & Richardson P.C.

(57) **CLAIM**  
The ornamental design for a cap of an injection device, substantially as shown and described.

**DESCRIPTION**  
FIG. 1 is a perspective view of an cap of an injection device showing our new design;  
FIG. 2 is a front elevation view thereof;  
FIG. 3 is a rear elevation view thereof;  
FIG. 4 is a first side elevation view thereof;  
FIG. 5 is a second side elevation view thereof;  
FIG. 6 is a top plan view thereof; and,  
FIG. 7 is a bottom plan view thereof.  
The broken lines illustrate boundaries that form no part of the claimed design.

**1 Claim, 4 Drawing Sheets**



(56)

**References Cited**

U.S. PATENT DOCUMENTS

2011/0015578 A1\* 1/2011 Lowke ..... A61M 5/5086  
604/192  
2013/0030381 A1\* 1/2013 Langley ..... A61M 5/24  
604/224  
2017/0361027 A1\* 12/2017 Srinivasan ..... A61M 5/347  
2018/0250473 A1\* 9/2018 Ganzitti ..... A61M 5/31551  
2018/0272075 A1\* 9/2018 Stefanov ..... A61M 5/20  
2018/0311442 A1\* 11/2018 Saussaye ..... A61M 5/2033  
2018/0318526 A1\* 11/2018 Yang ..... C07K 16/40

\* cited by examiner

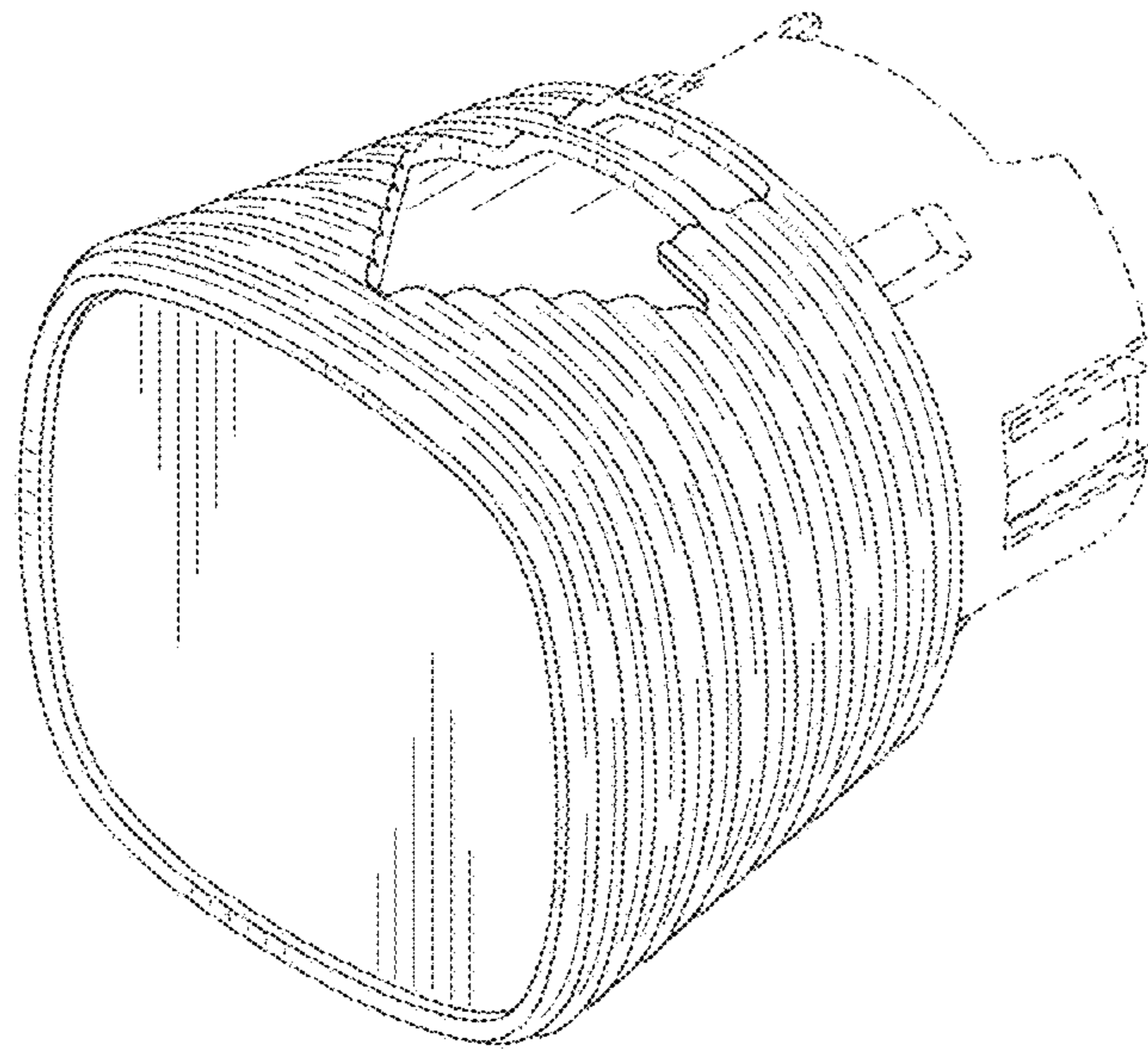


FIG. 1

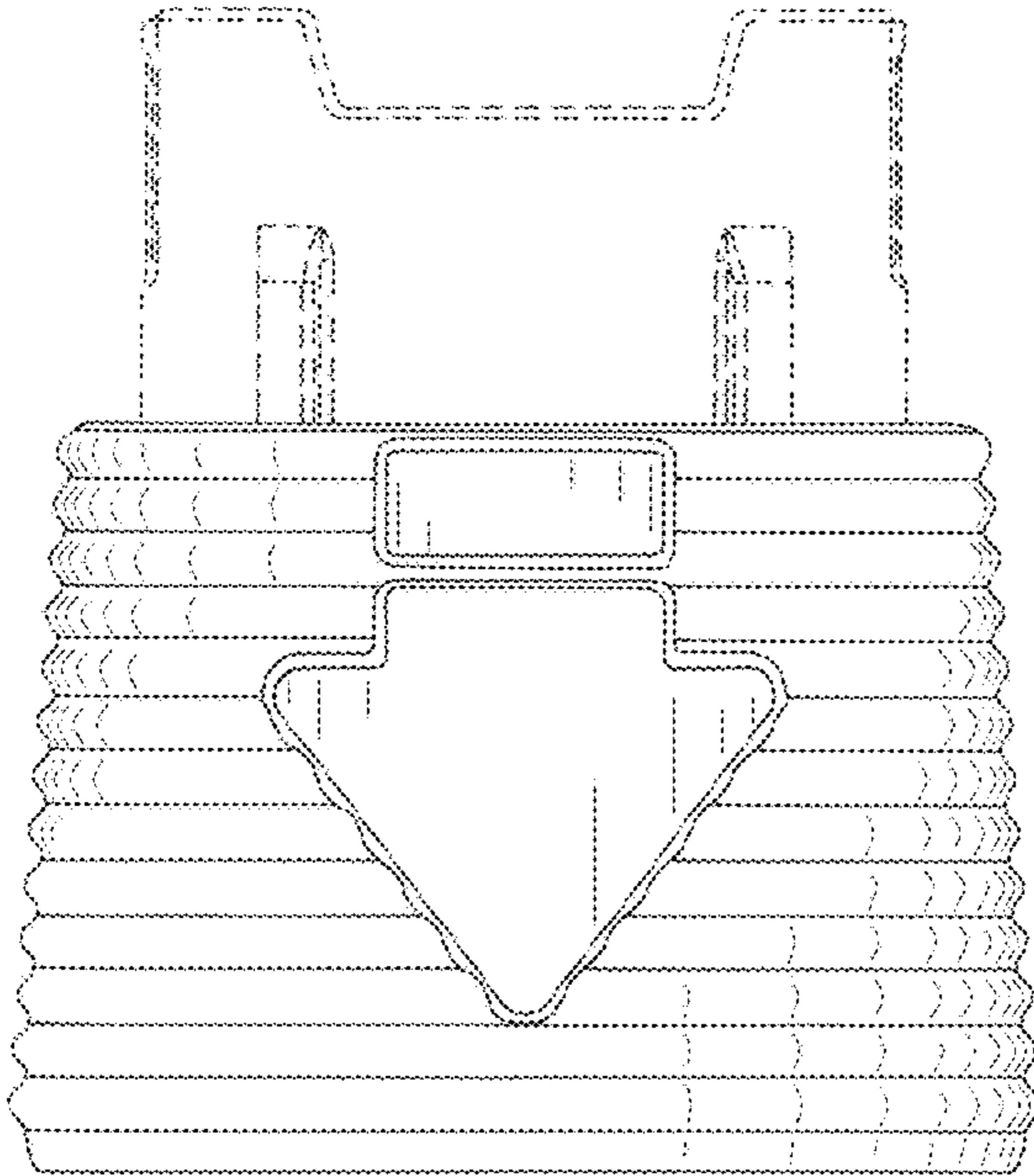


FIG. 2

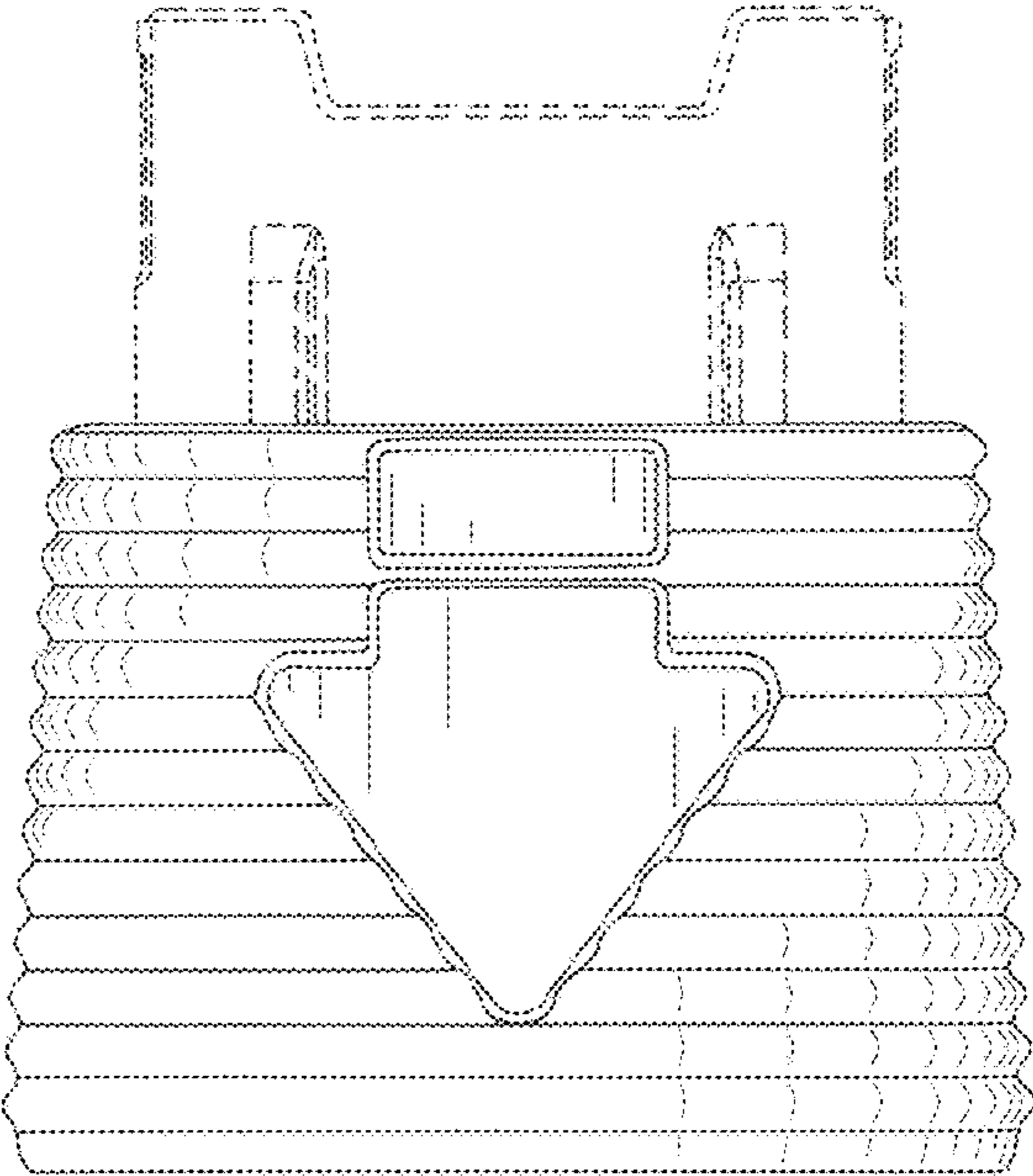


FIG. 3

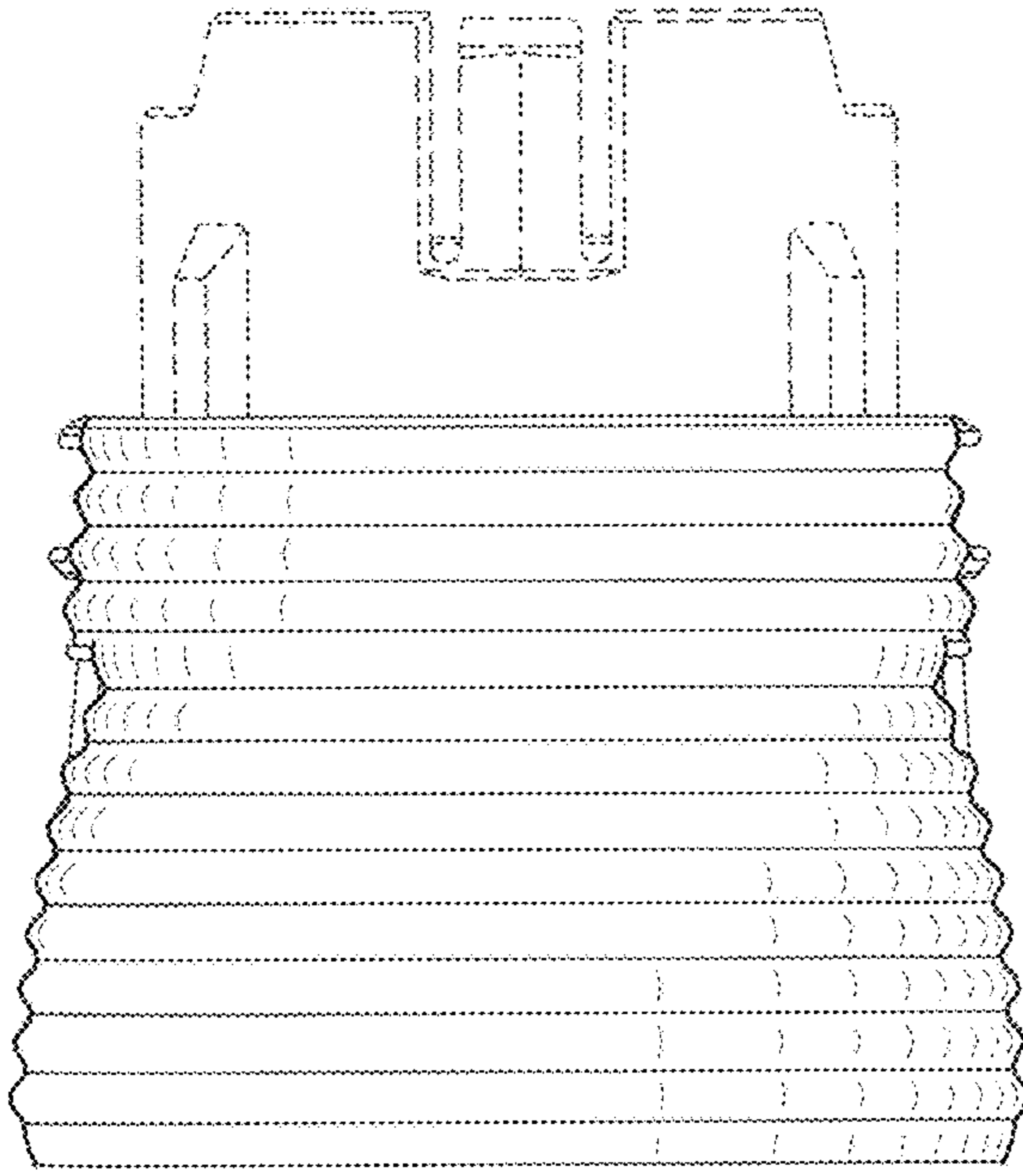


FIG. 4

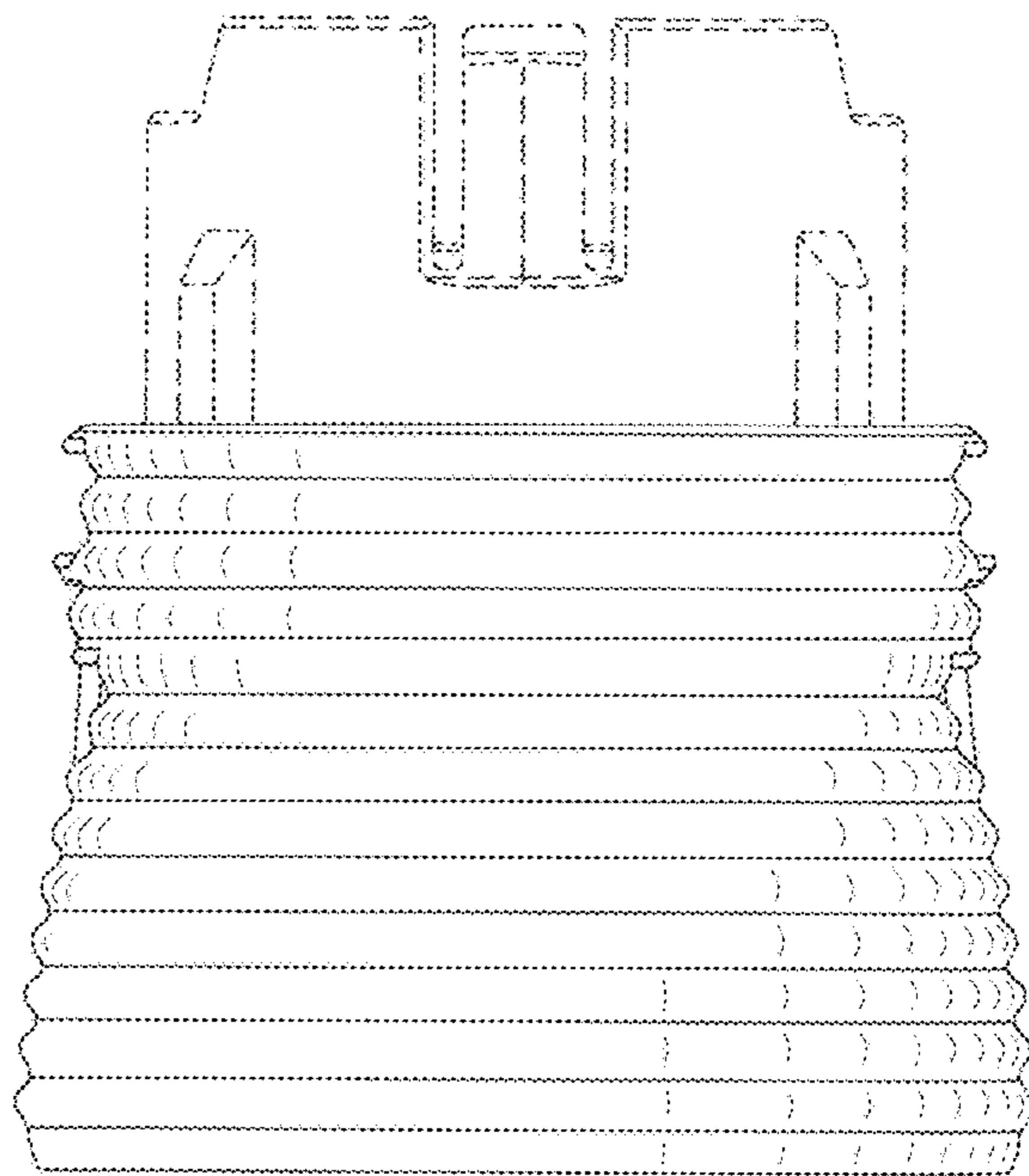


FIG. 5

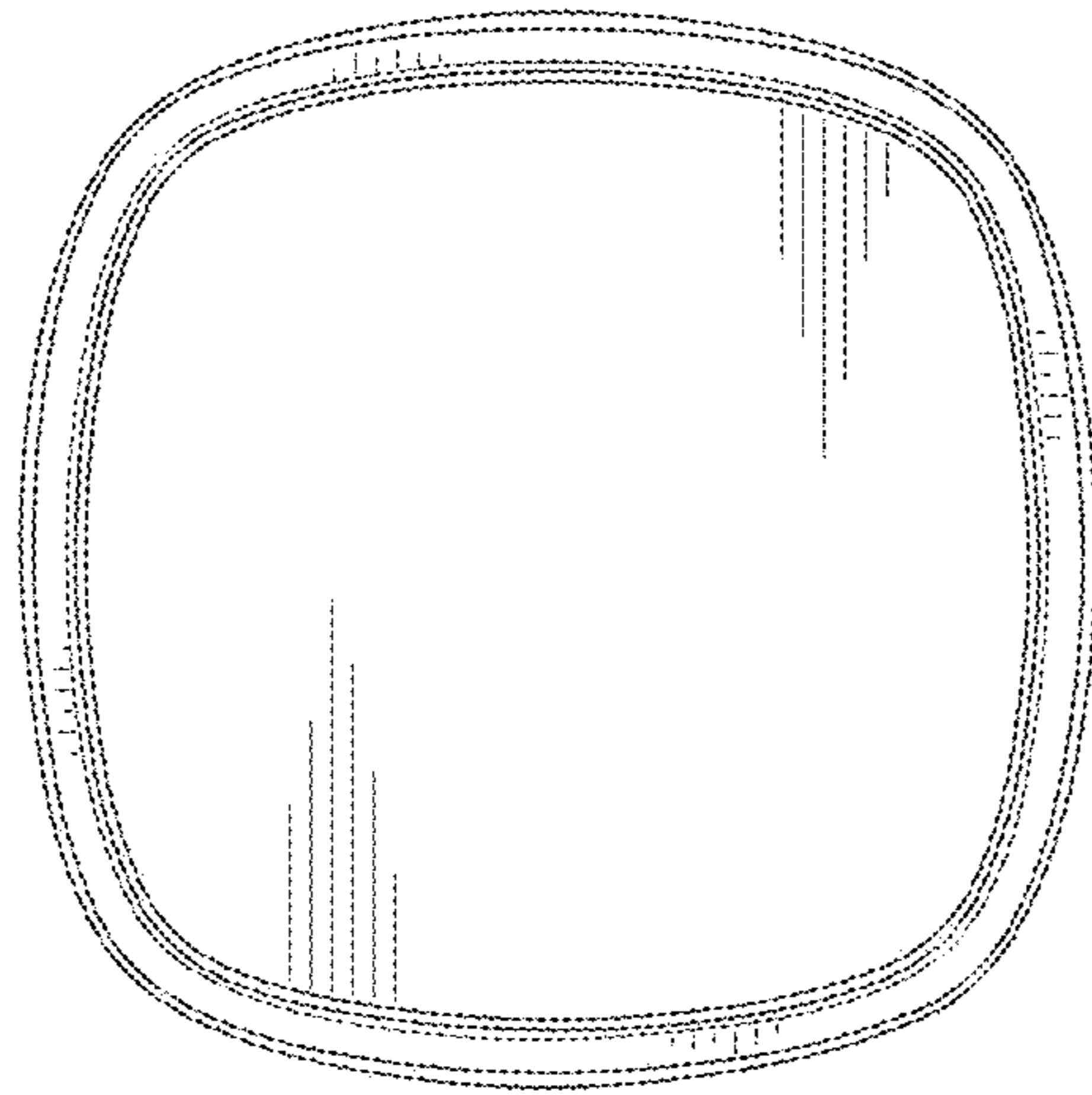


FIG. 6

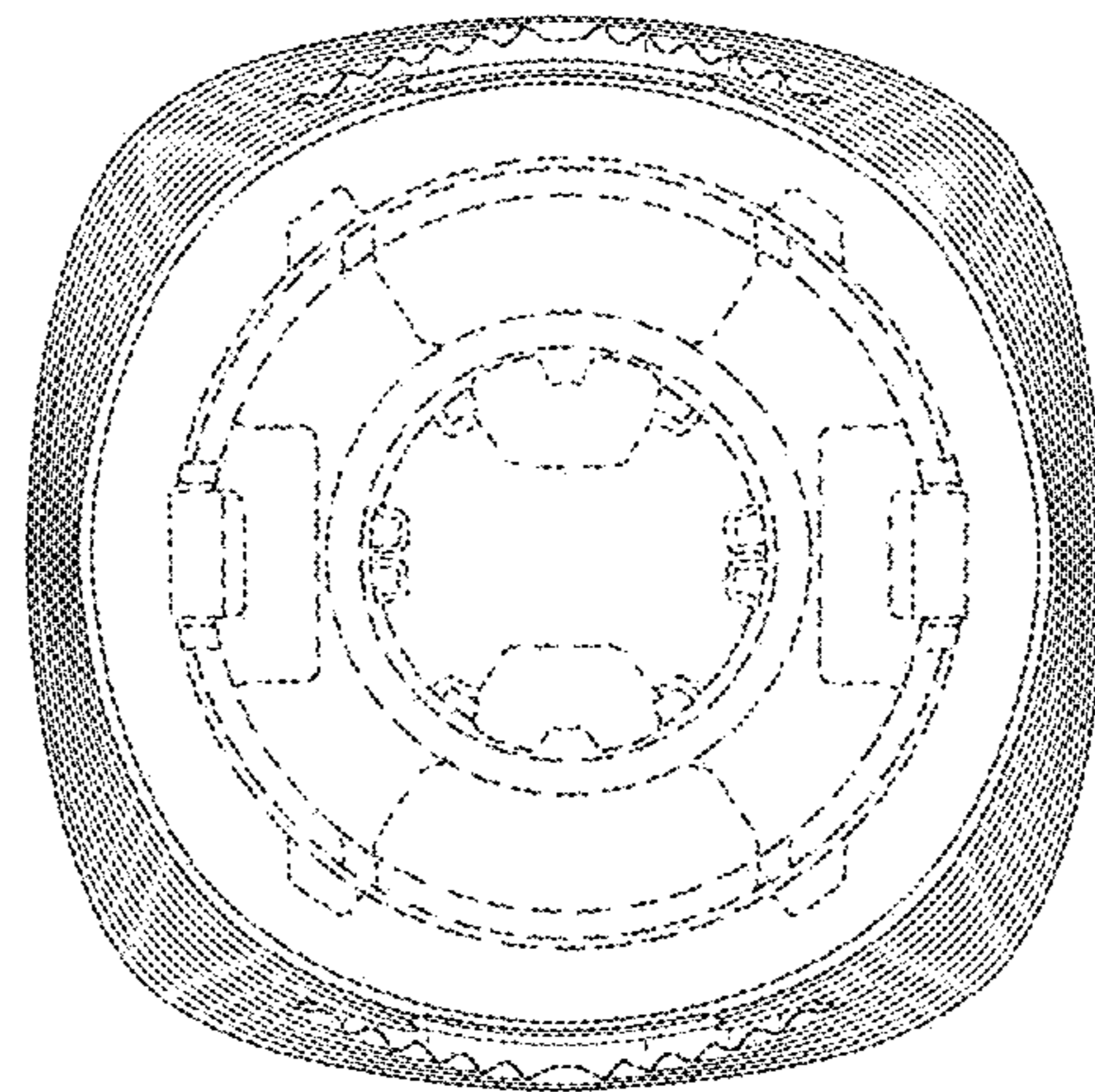


FIG. 7

UNITED STATES PATENT AND TRADEMARK OFFICE  
**CERTIFICATE OF CORRECTION**

PATENT NO. : D867,588 S  
APPLICATION NO. : 29/648584  
DATED : November 19, 2019  
INVENTOR(S) : Christian Rogge et al.

Page 1 of 1

It is certified that error appears in the above-identified patent and that said Letters Patent is hereby corrected as shown below:

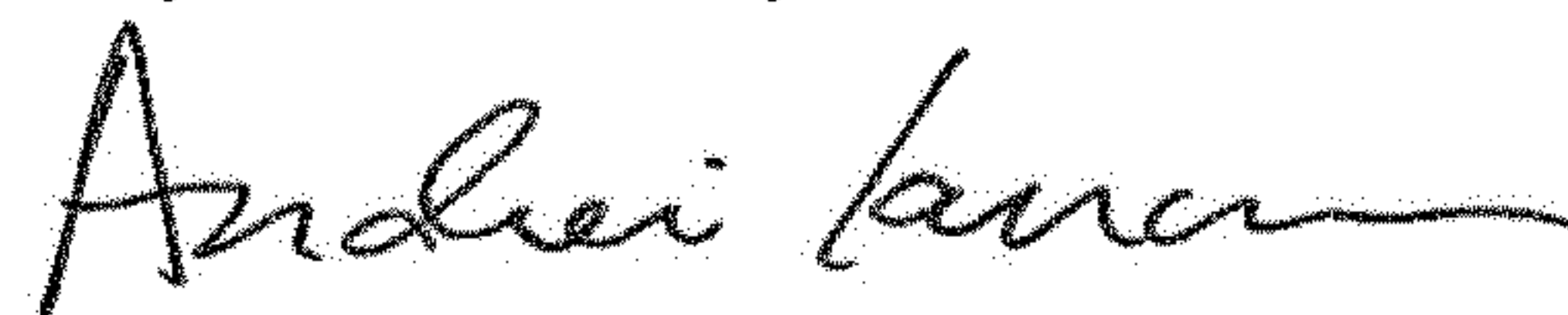
On the Title Page

After item (22), insert:

-- (30) **Foreign Application Priority Data**

Nov. 23, 2017 (EM) ..... 004520054 --

Signed and Sealed this  
Twenty-second Day of December, 2020



Andrei Iancu  
*Director of the United States Patent and Trademark Office*