

US00D867586S

(12) **United States Design Patent** (10) **Patent No.:** **US D867,586 S**
Kemps et al. (45) **Date of Patent:** **** Nov. 19, 2019**

(54) **CONNECTOR**

(71) Applicant: **Fisher & Paykel Healthcare Limited,**
Auckland (NZ)

(72) Inventors: **David Robert Kemp**s, Auckland (NZ);
Simon Mordechai Stam, Auckland
(NZ)

(73) Assignee: **Fisher & Paykel Healthcare Limited,**
Auckland (NZ)

(**) Term: **15 Years**

(21) Appl. No.: **29/611,853**

(22) Filed: **Jul. 26, 2017**

(51) **LOC (12) Cl.** **24-02**

(52) **U.S. Cl.**
USPC **D24/129**

(58) **Field of Classification Search**
USPC D24/127-131, 112-114, 133, 186;
606/181, 185; 604/264, 523-528, 272,
(Continued)

(56) **References Cited**

U.S. PATENT DOCUMENTS

5,842,466 A * 12/1998 Selman A61M 16/0488
128/200.26
D430,293 S * 8/2000 Jansen D24/129
(Continued)

Primary Examiner — David G Muller

(74) *Attorney, Agent, or Firm* — Knobbe, Martens, Olson
& Bear, LLP

(57) **CLAIM**

The ornamental design for a connector, as shown and
described.

DESCRIPTION

FIG. 1 is a right, front, and top perspective view of a
connector embodying our new design.

FIG. 2 is a left, front, and top perspective view thereof;

FIG. 3 is a front view thereof;

FIG. 4 is a rear view thereof;

FIG. 5 is a left side view thereof;

FIG. 6 is a right side view thereof;

FIG. 7 is a top view thereof;

FIG. 8 is a bottom view thereof;

FIG. 9 is a cross-sectional view thereof taken along the line
9-9 in FIG. 5;

FIG. 10 is a cross-section view thereof taken along the line
10-10 in FIG. 5.

FIG. 11 is a right, front, and top perspective view of a fifth
embodiment of a connector embodying our new design;

FIG. 12 is a left, front, and top perspective view thereof;

FIG. 13 is a front view thereof;

FIG. 14 is a rear view thereof;

FIG. 15 is a left side view thereof;

FIG. 16 is a right side view thereof;

FIG. 17 is a top view thereof;

FIG. 18 is a bottom view thereof;

FIG. 19 is a cross-sectional view thereof taken along the
A-A line;

FIG. 20 is a cross-sectional view thereof taken along the B-B
line;

FIG. 21 is a right, front, and top perspective view of a ninth
embodiment of a connector embodying our new design;

FIG. 22 is a left, front, and top perspective view thereof;

FIG. 23 is a front view thereof;

FIG. 24 is a rear view thereof;

FIG. 25 is a left side view thereof;

FIG. 26 is a right side view thereof;

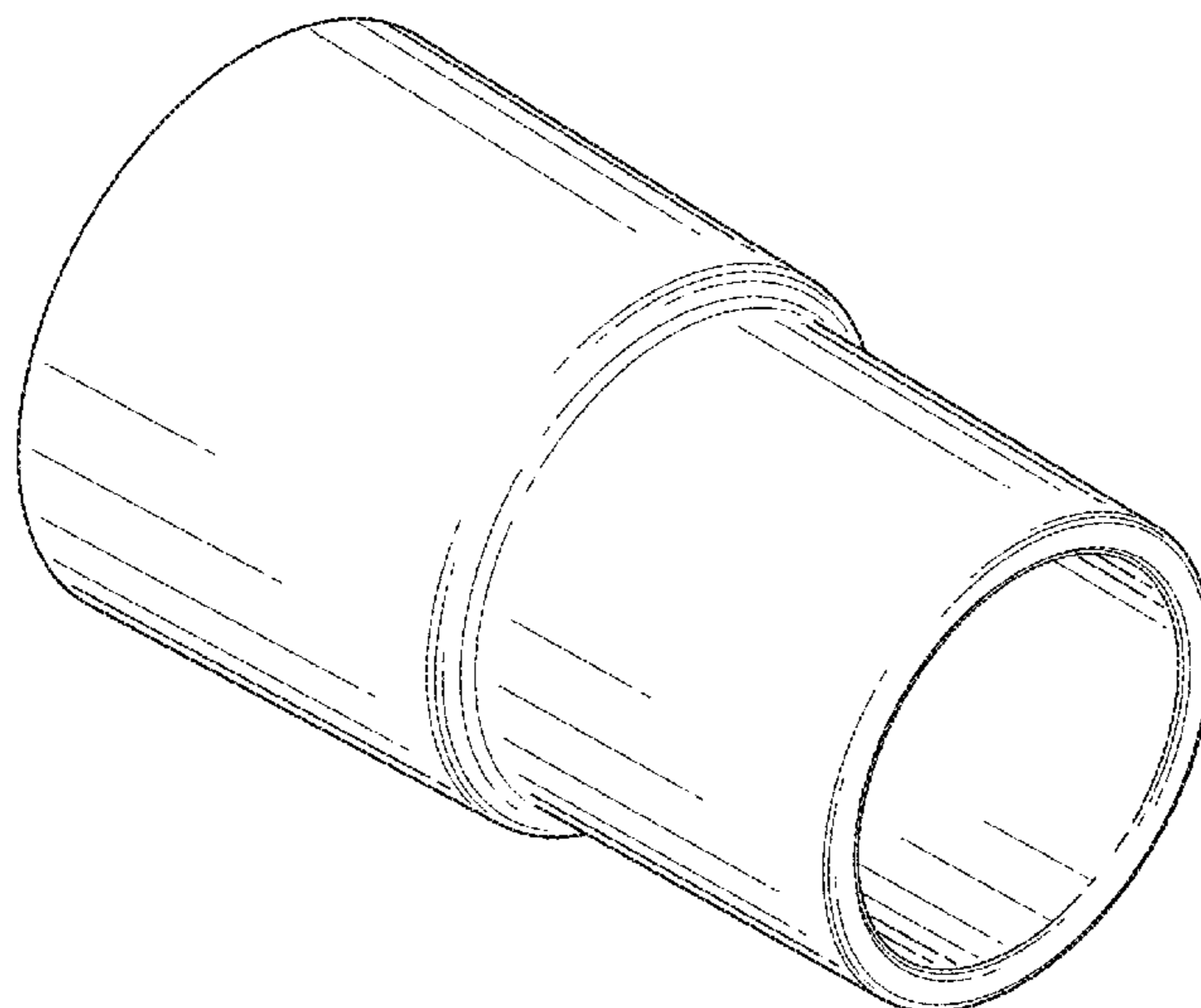
FIG. 27 is a top view thereof;

FIG. 28 is a bottom view thereof;

FIG. 29 is a cross-sectional view thereof taken along the
A-A line; and,

FIG. 30 is a cross-sectional view thereof taken along the B-B
line.

1 Claim, 30 Drawing Sheets



(58) **Field of Classification Search**

USPC 604/187, 158, 164.01–164.11, 181, 184,
604/227; 600/101, 139, 143;
128/200.24, 207.14, 207.15

CPC .. A61M 25/065; A61M 5/42; A61M 25/0612;
A61M 25/00; A61M 39/00; A61M 27/00;
A61M 25/0043; A61M 25/0067; A61M
25/0097; A61F 2/958

See application file for complete search history.

(56) **References Cited**

U.S. PATENT DOCUMENTS

D474,839	S	*	5/2003	Francavilla	D24/129
D591,438	S	*	4/2009	Hama	D24/133
D629,891	S	*	12/2010	Virr	D24/129
D631,542	S	*	1/2011	DeGross	D24/129
D651,709	S	*	1/2012	Zeyfang	D24/127
D671,639	S	*	11/2012	Trifilio	D24/128
D736,372	S	*	8/2015	Anderson	D24/133
D751,699	S	*	3/2016	Mills	D24/127
D757,929	S	*	5/2016	Kerber	D24/110.1
D805,629	S	*	12/2017	Fiorenza	D24/110
D820,441	S	*	6/2018	Ketelhohn A61B 17/22012	D24/127

* cited by examiner

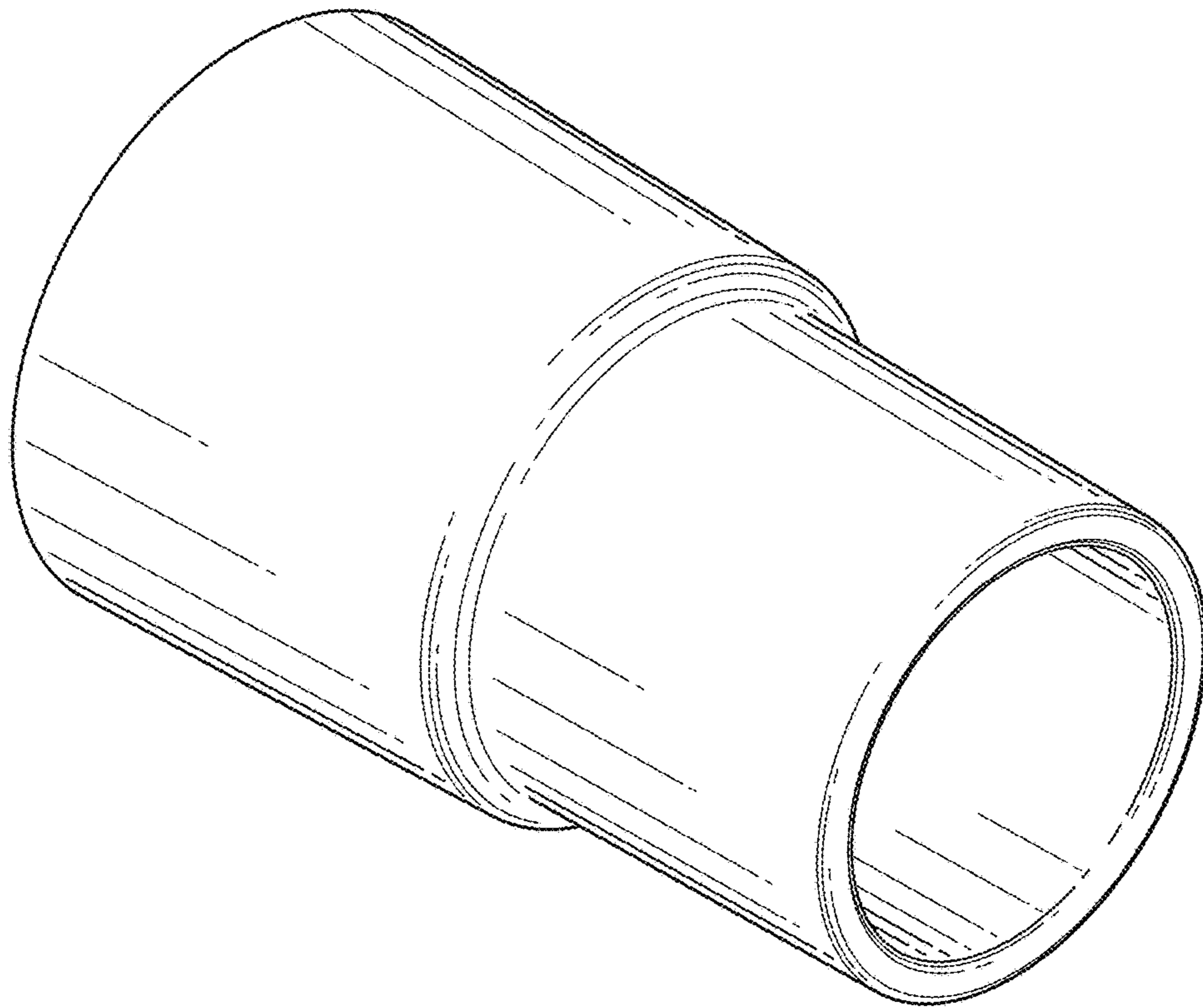


FIG. 1

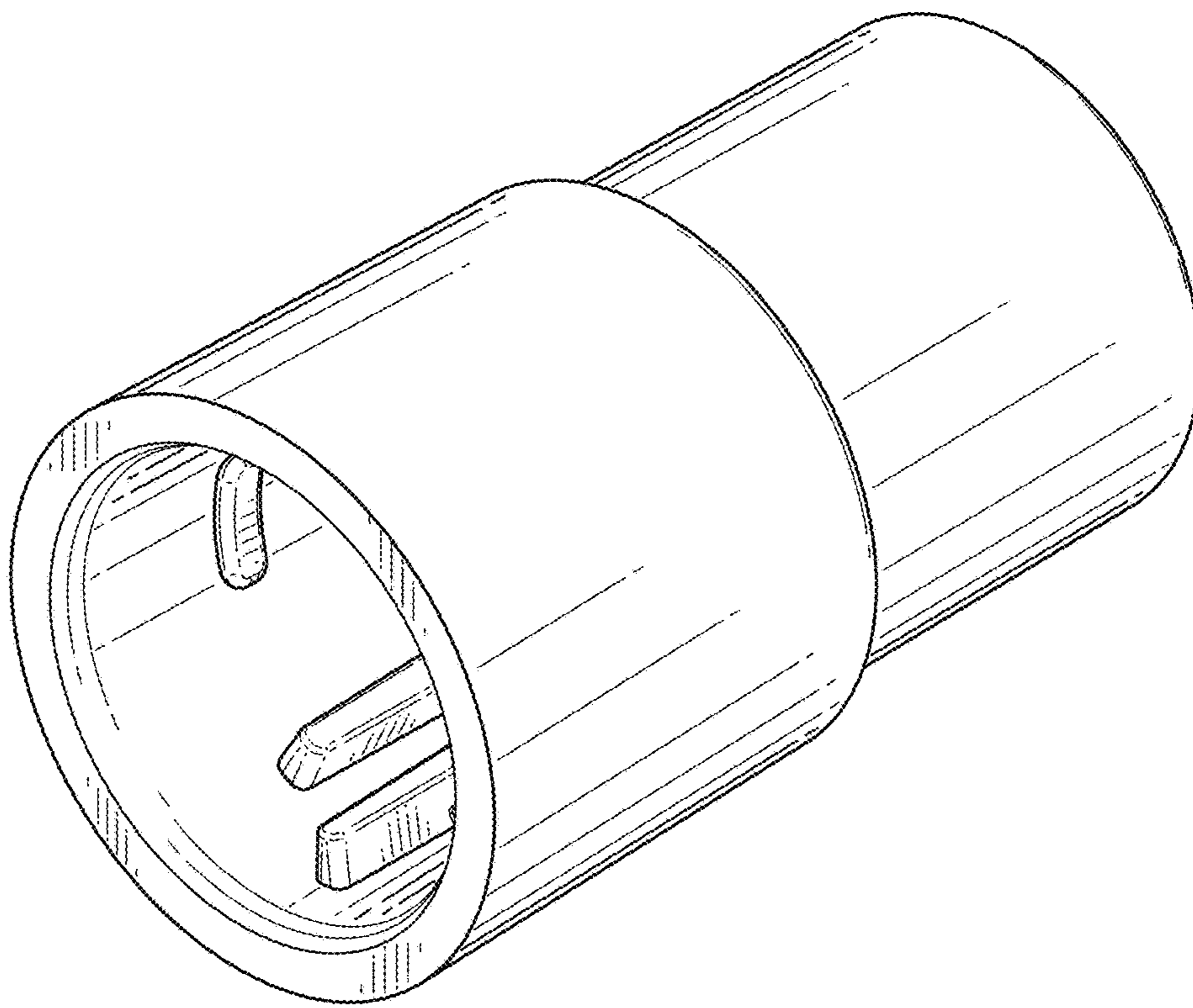


FIG. 2

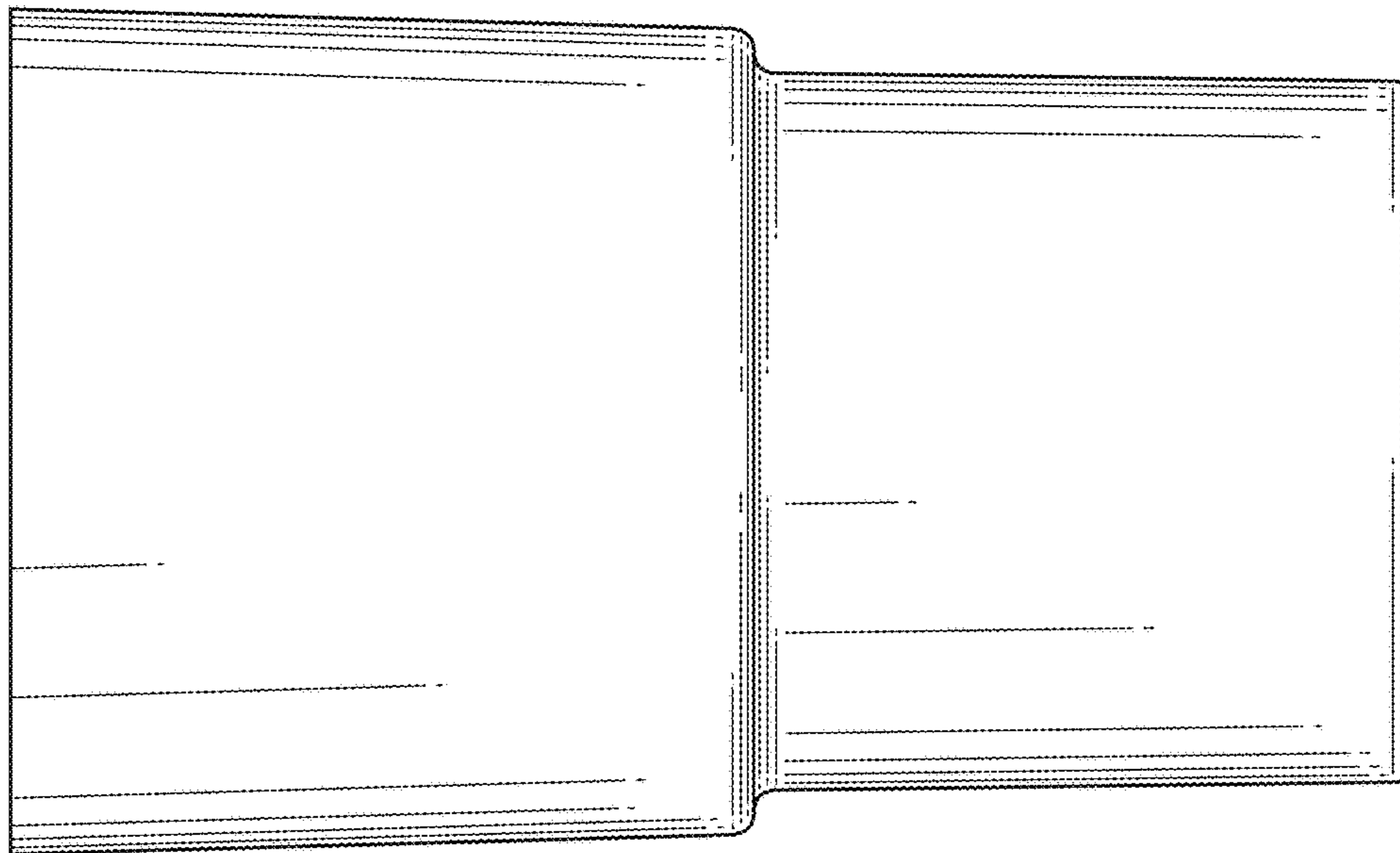


FIG. 3

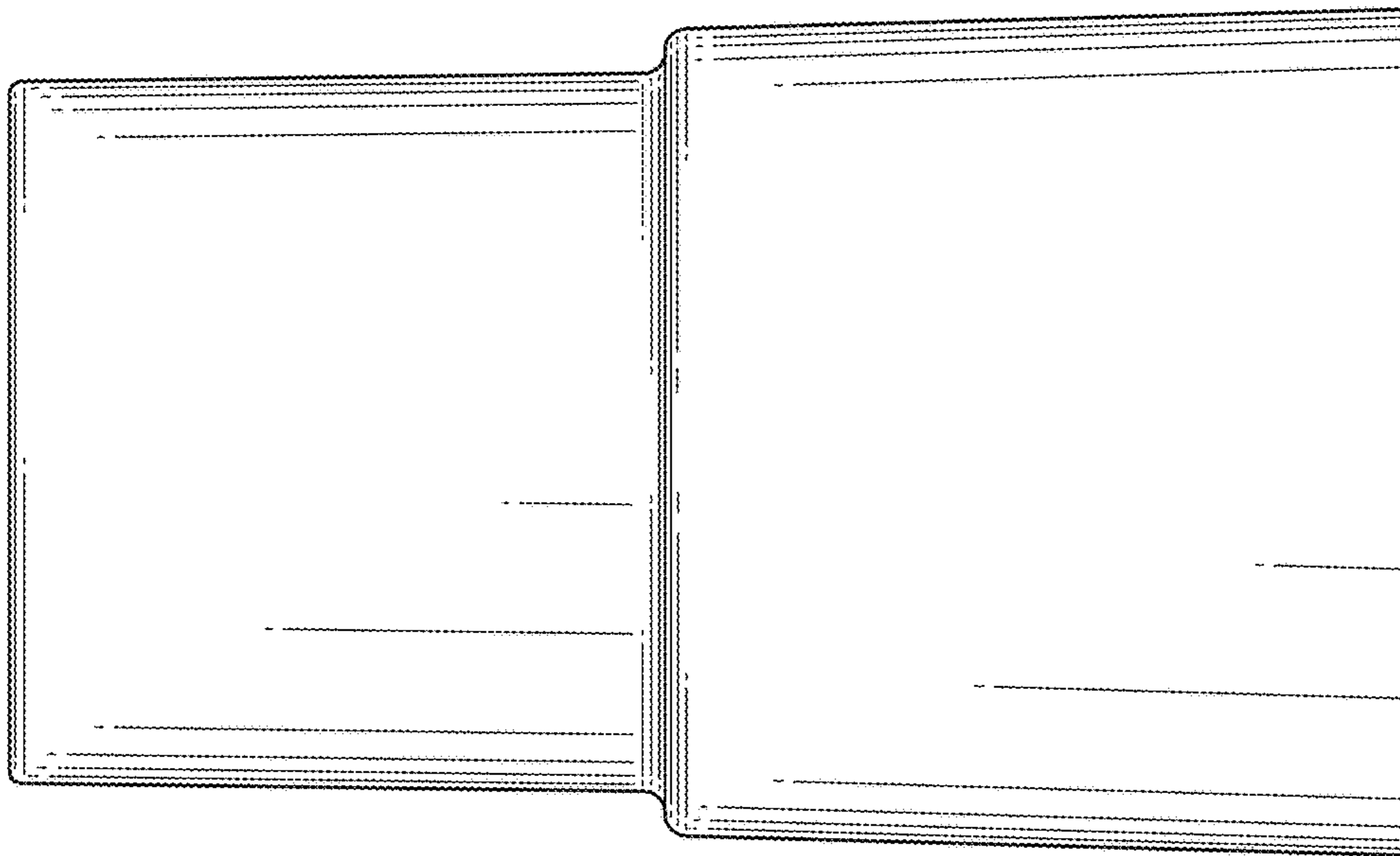


FIG. 4

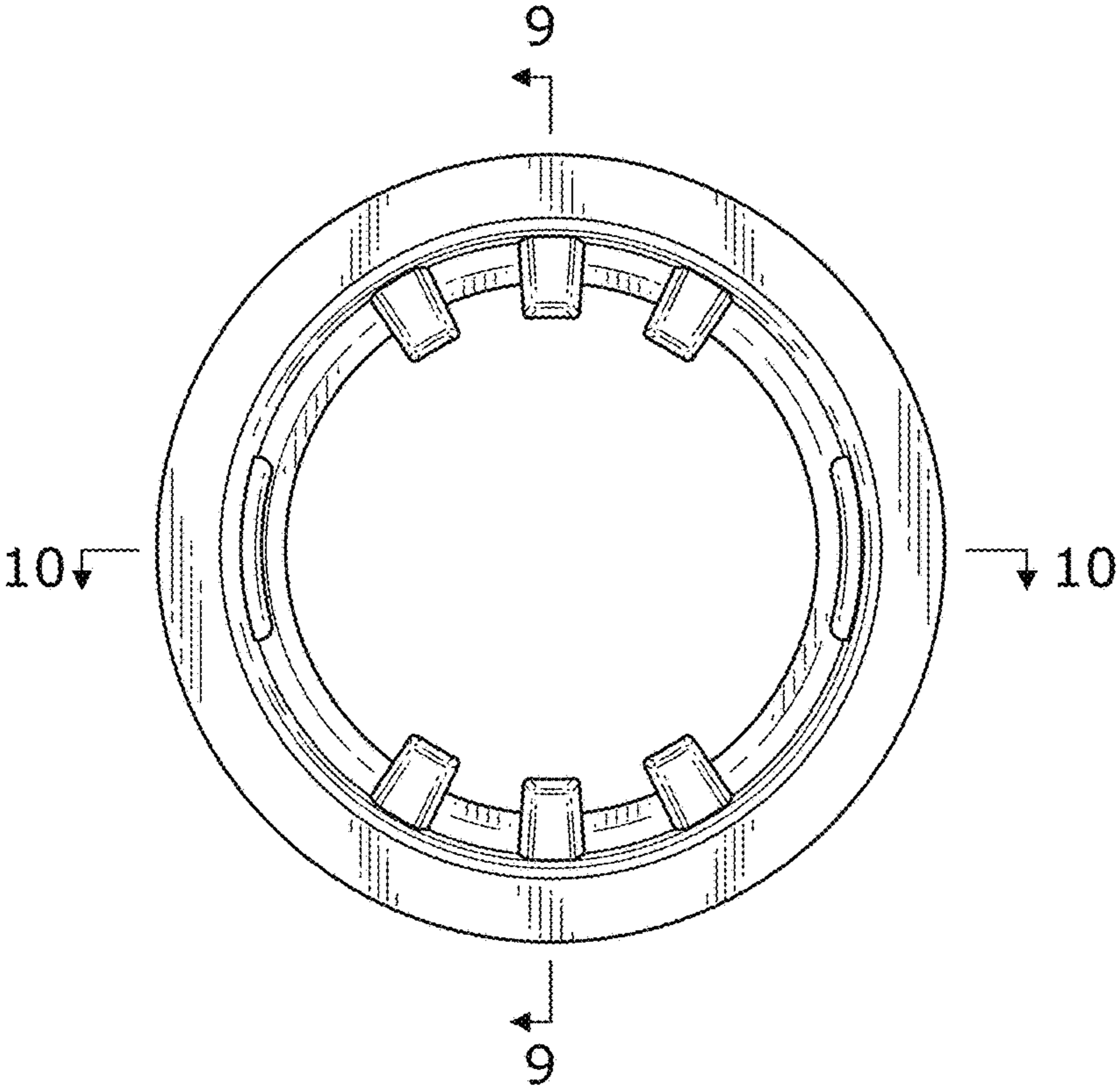


FIG. 5

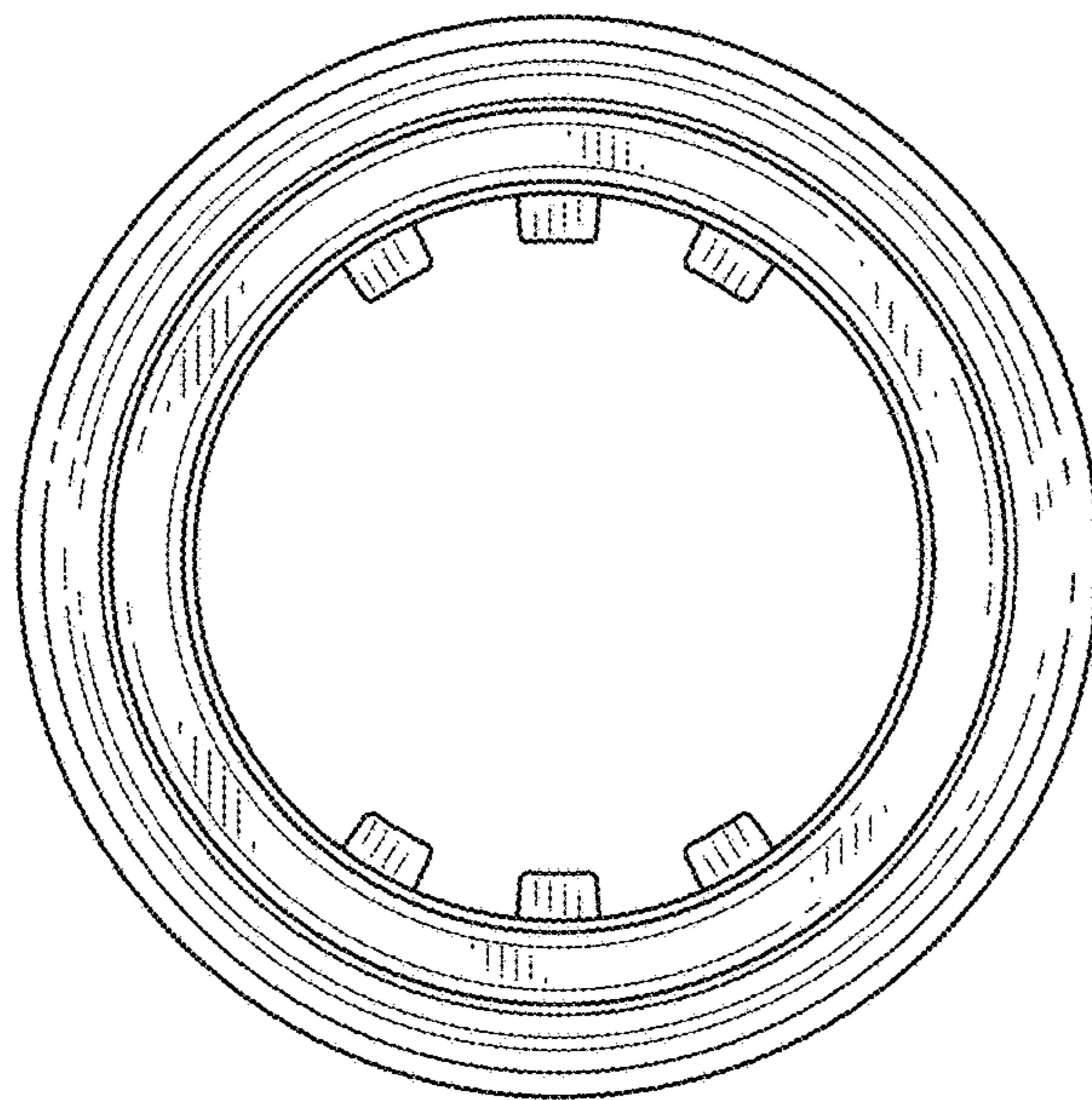


FIG. 6

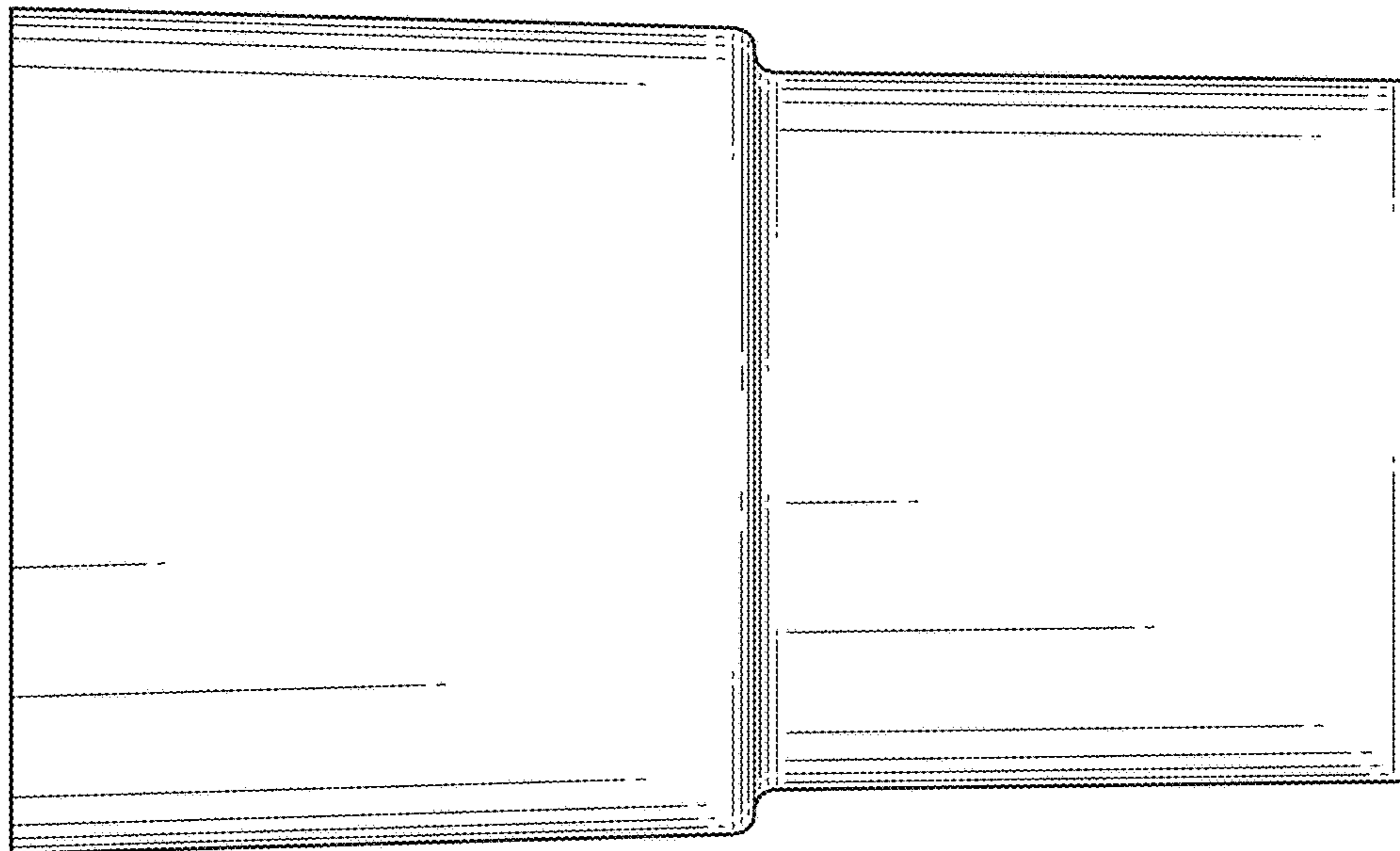


FIG. 7

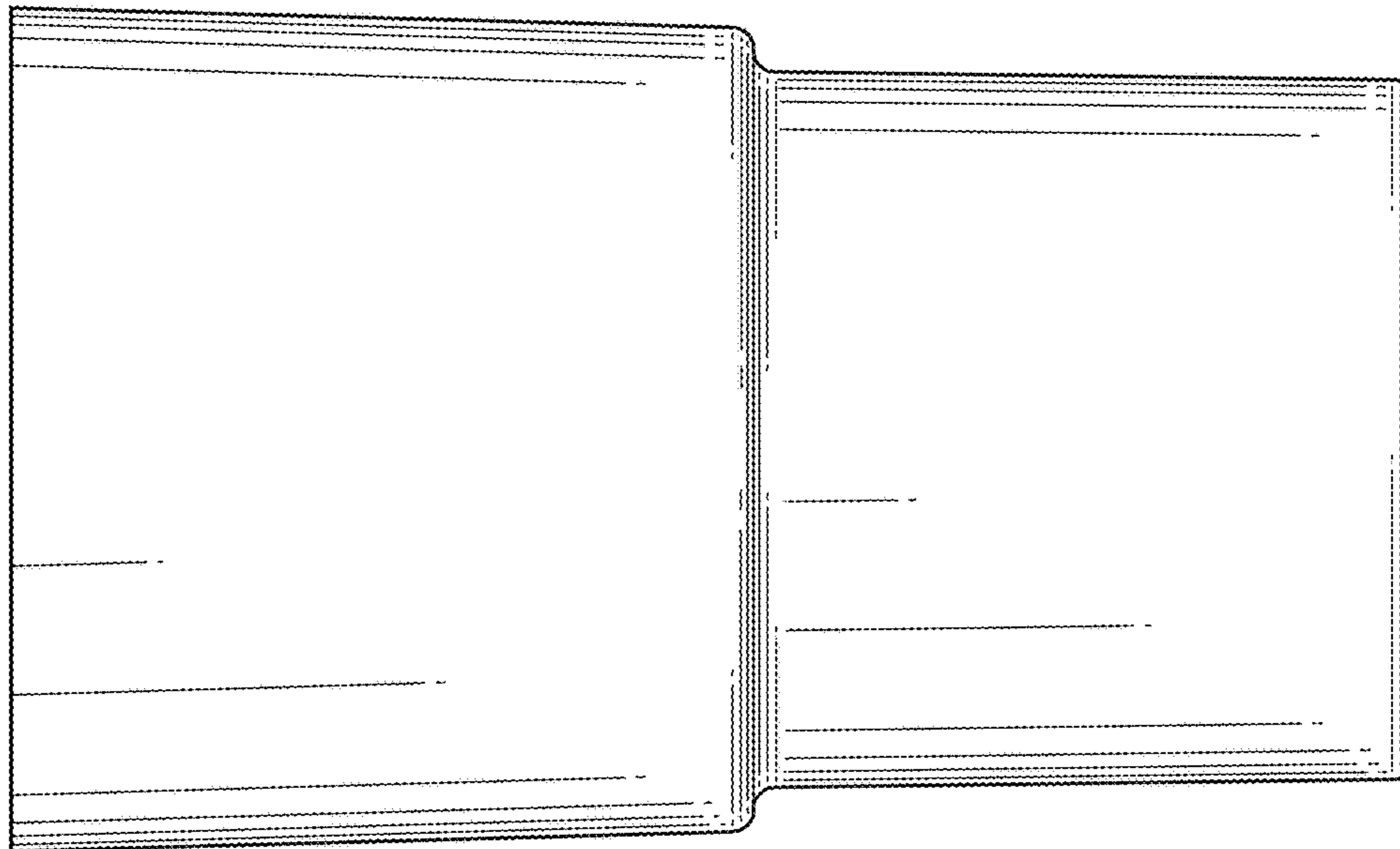


FIG. 8

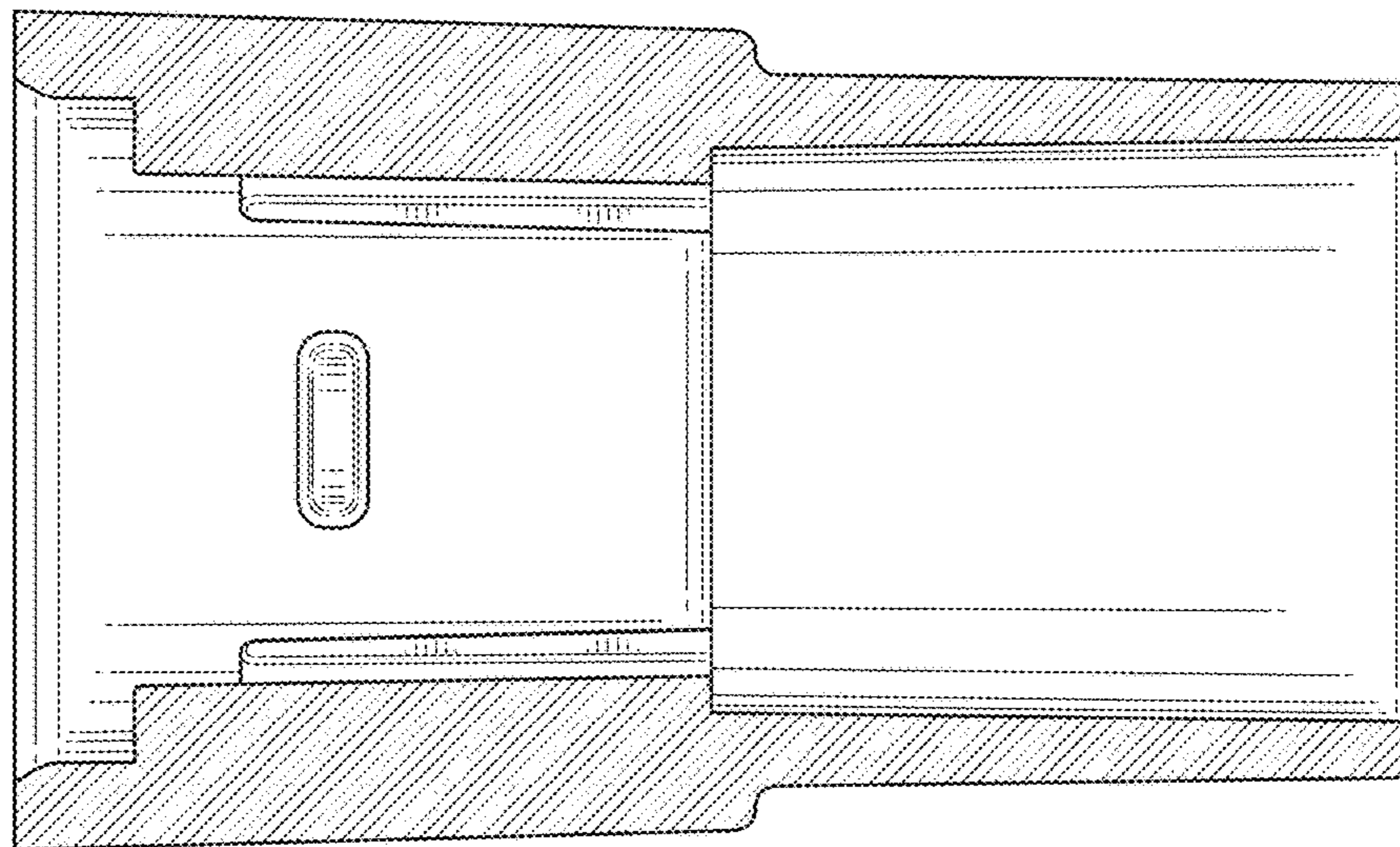


FIG. 9

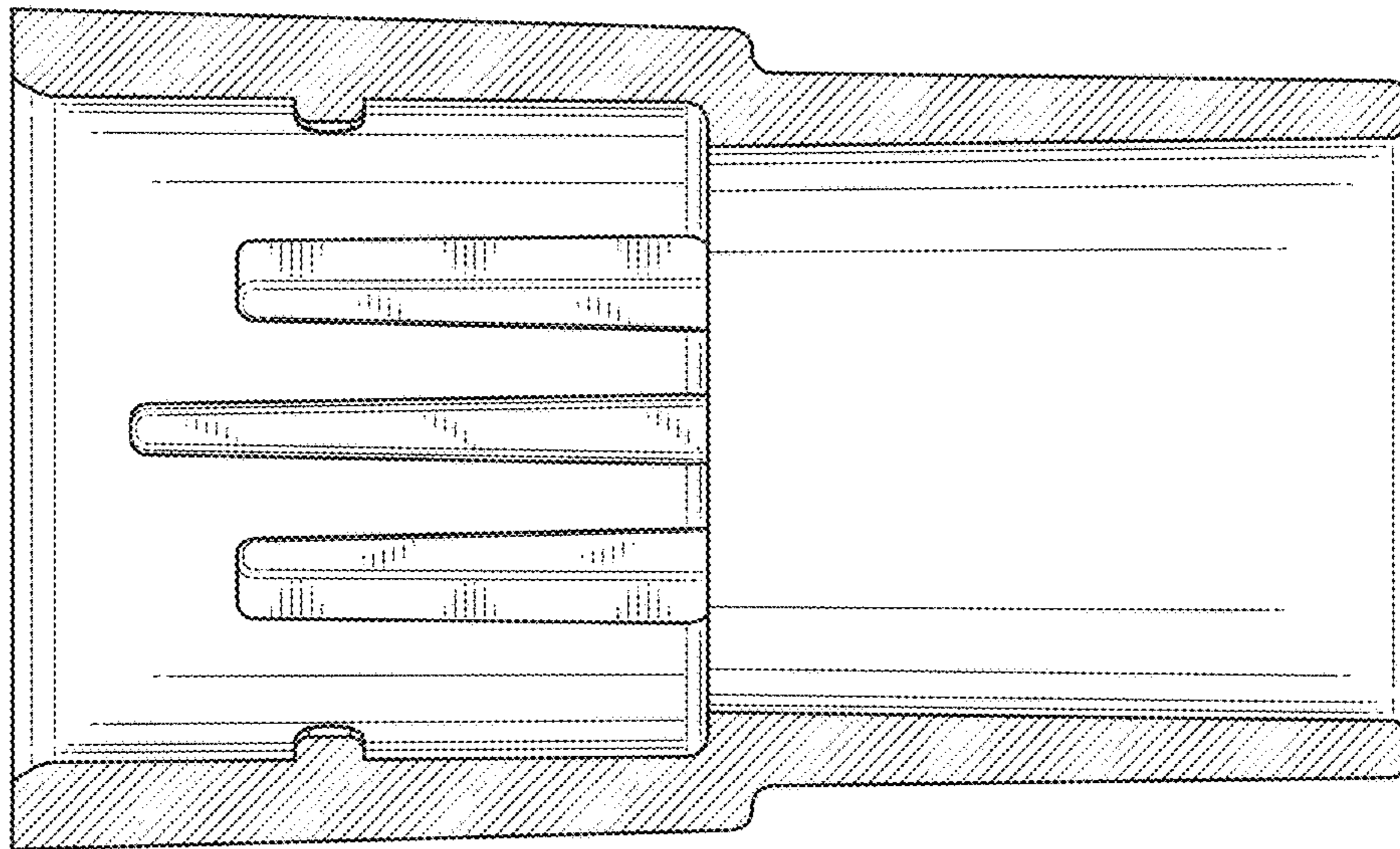


FIG. 10

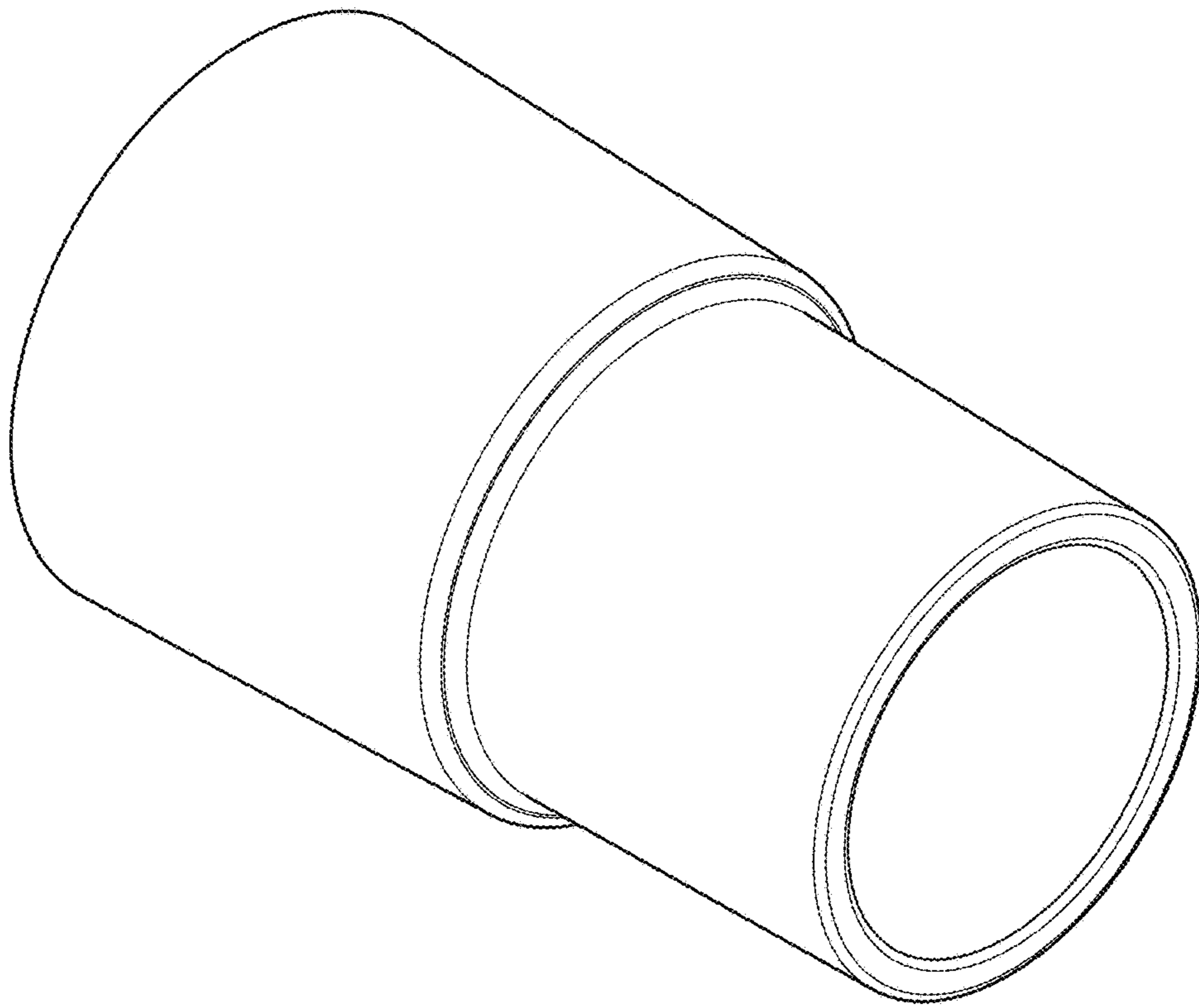


FIG. 11

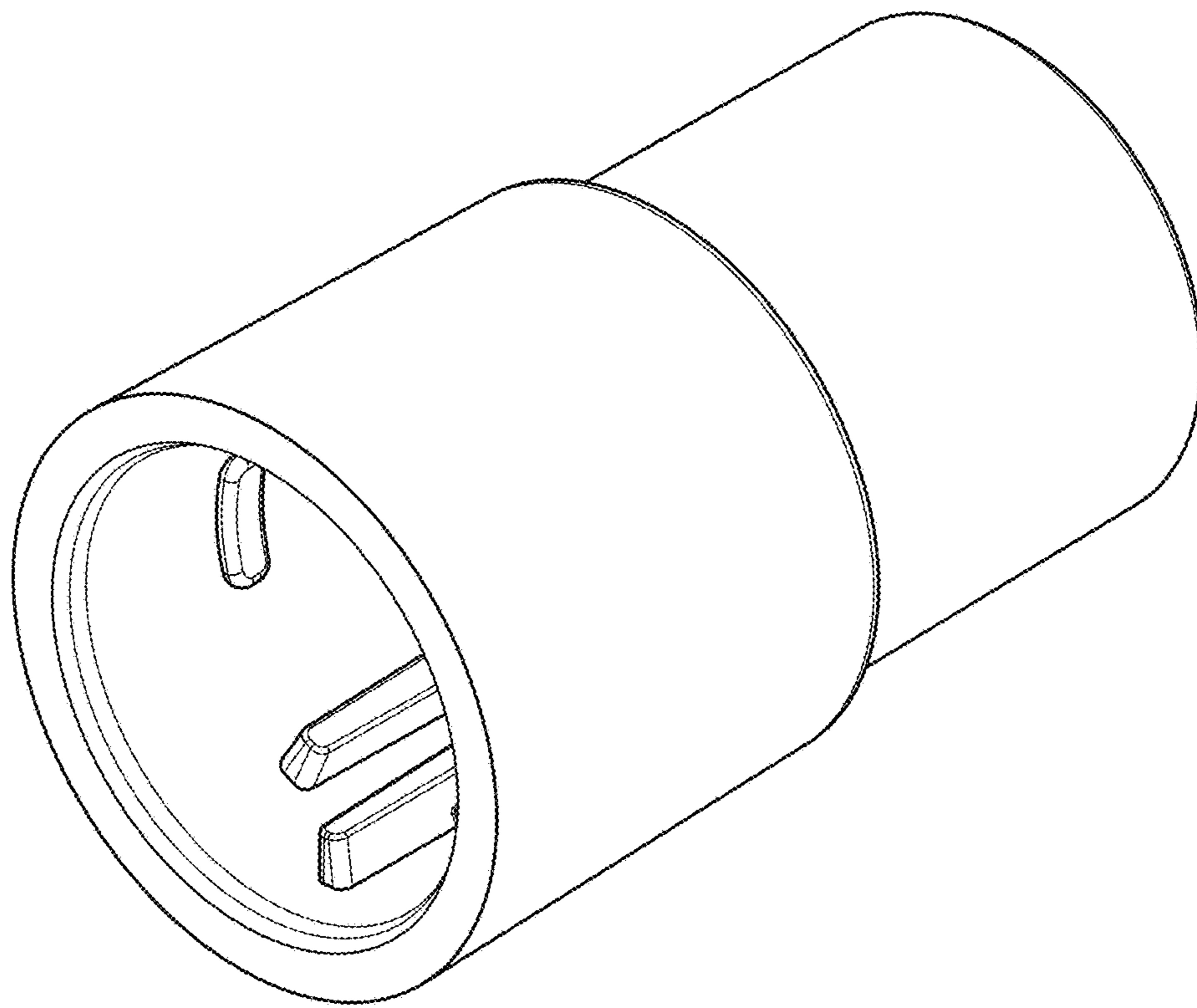


FIG. 12

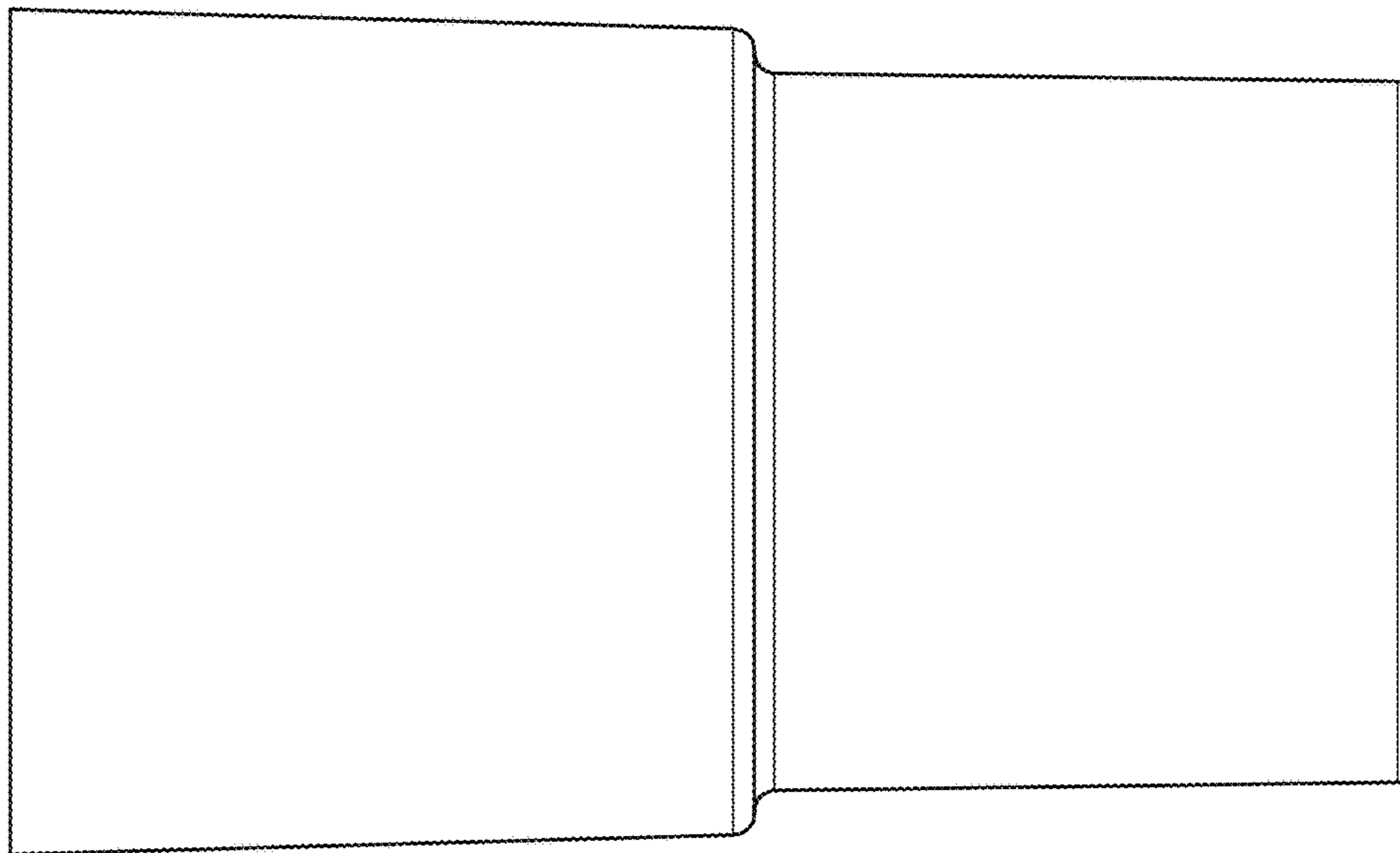


FIG. 13

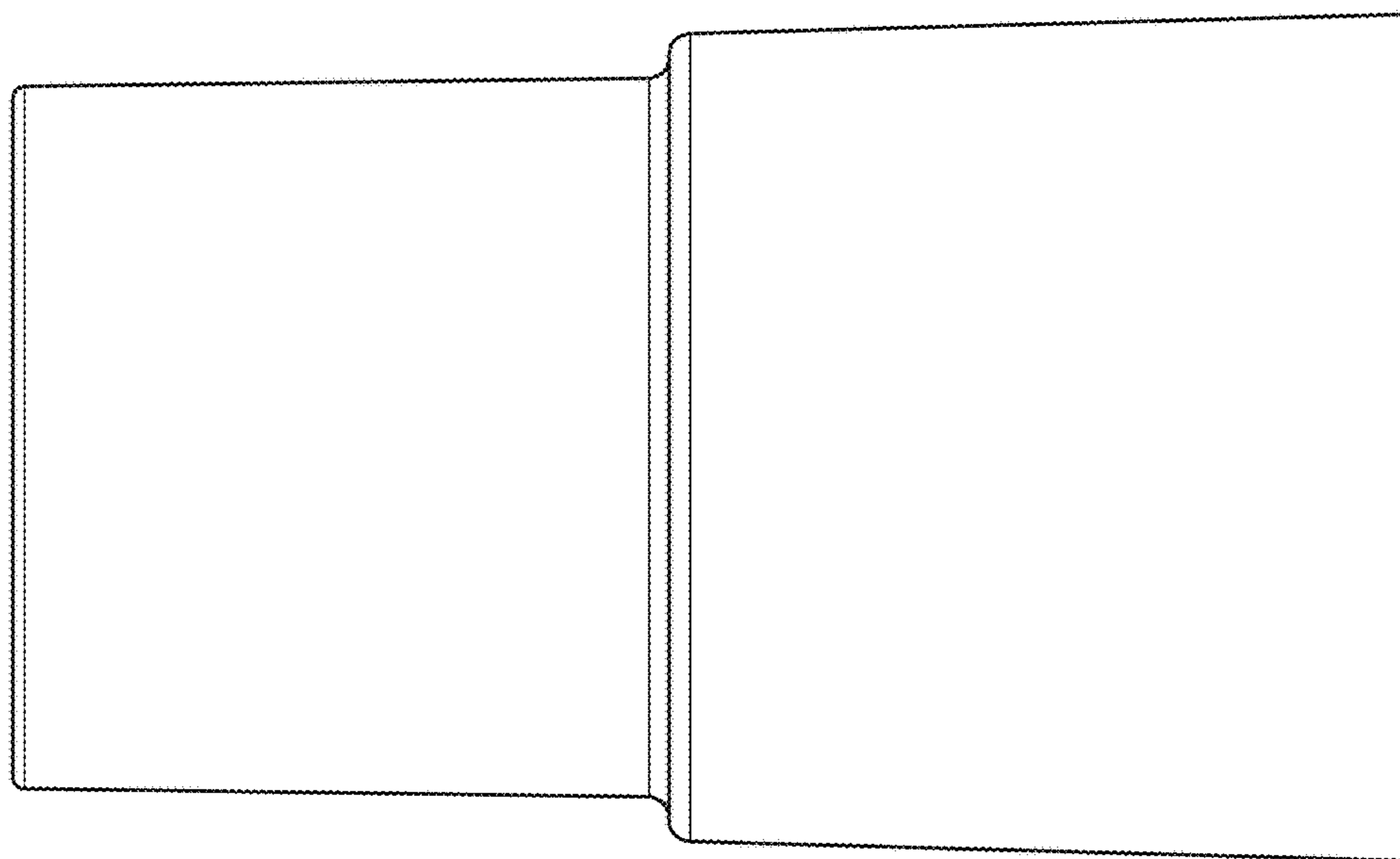


FIG. 14

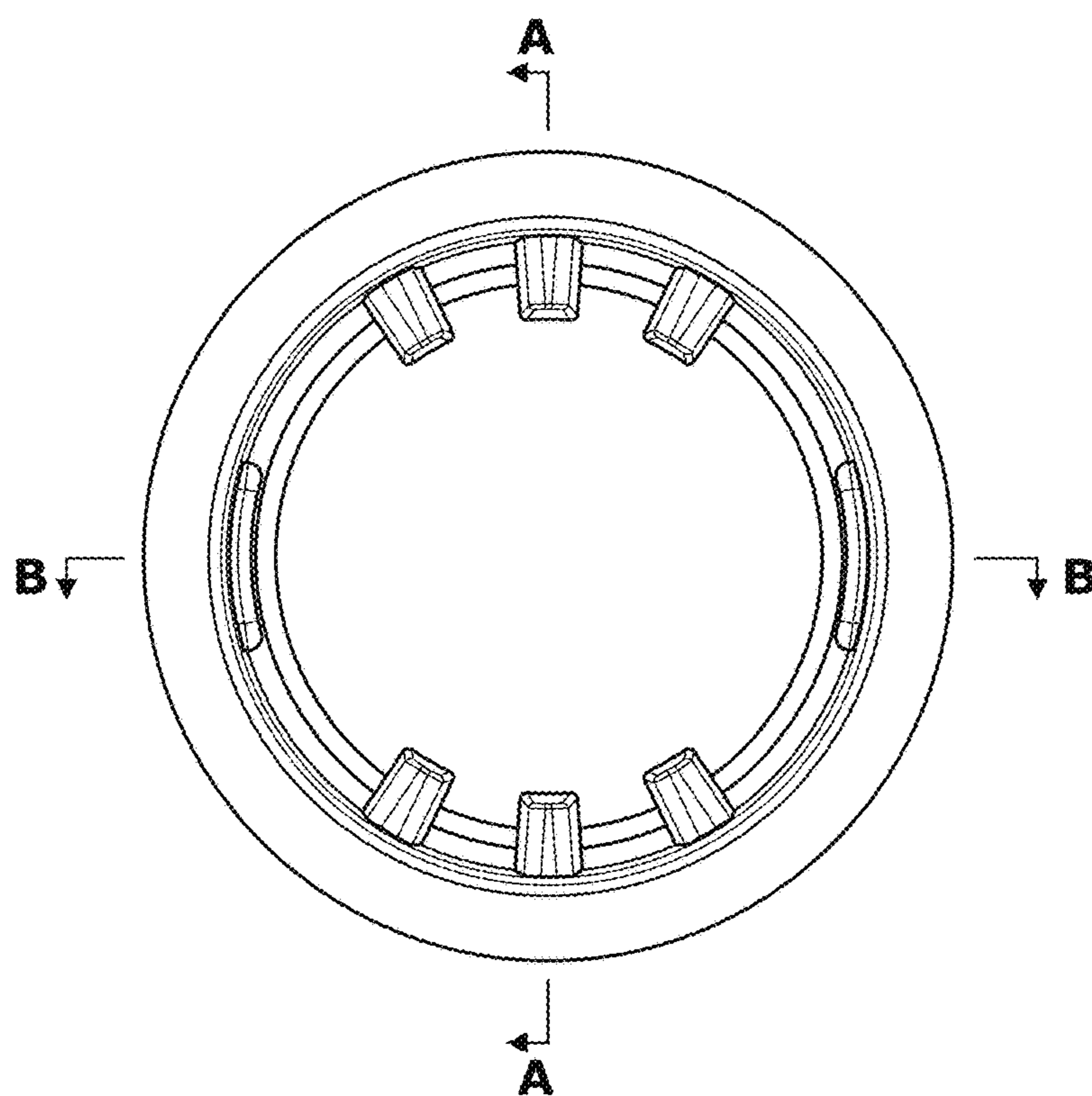


FIG. 15

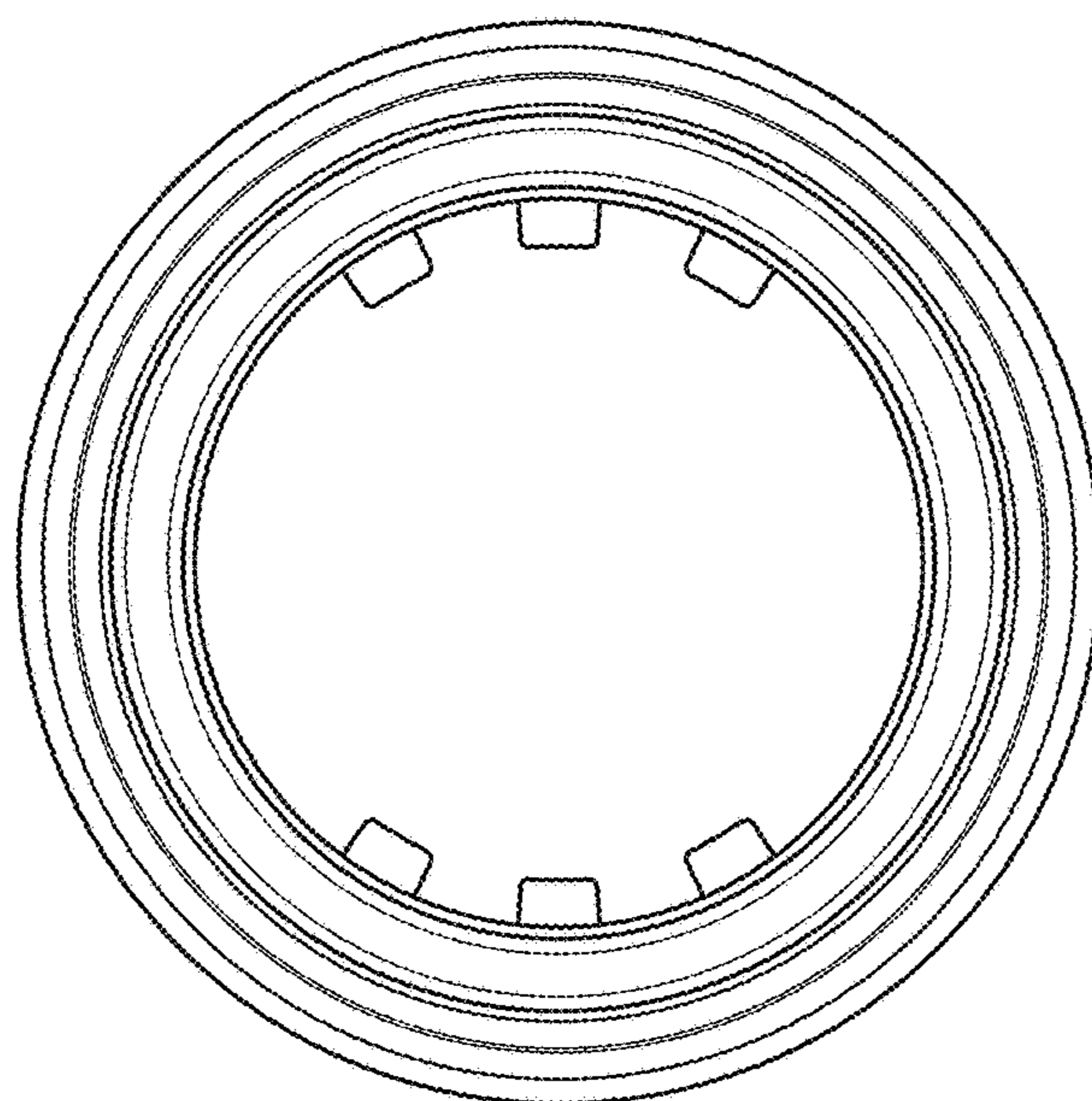


FIG. 16

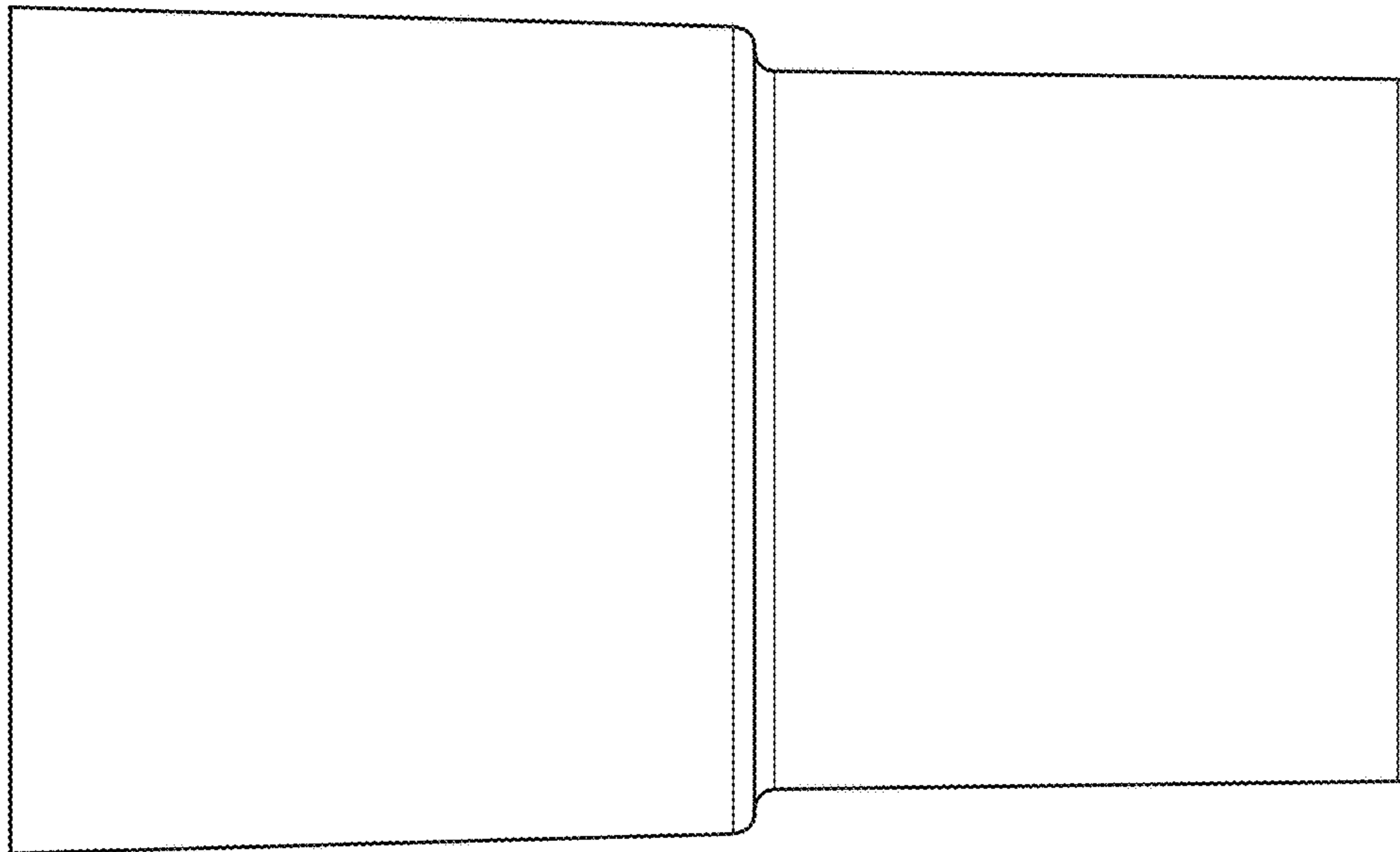


FIG. 17

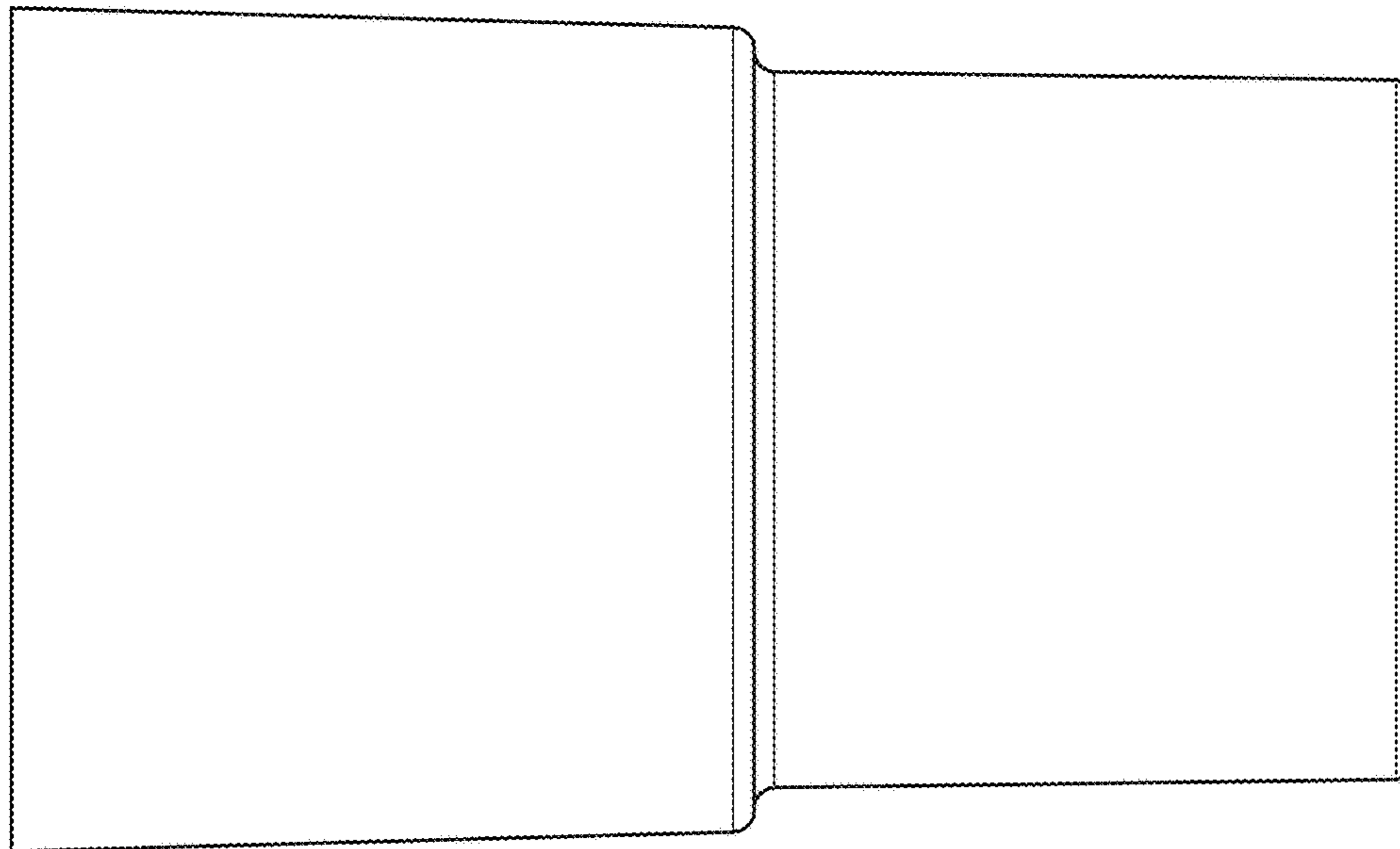


FIG. 18

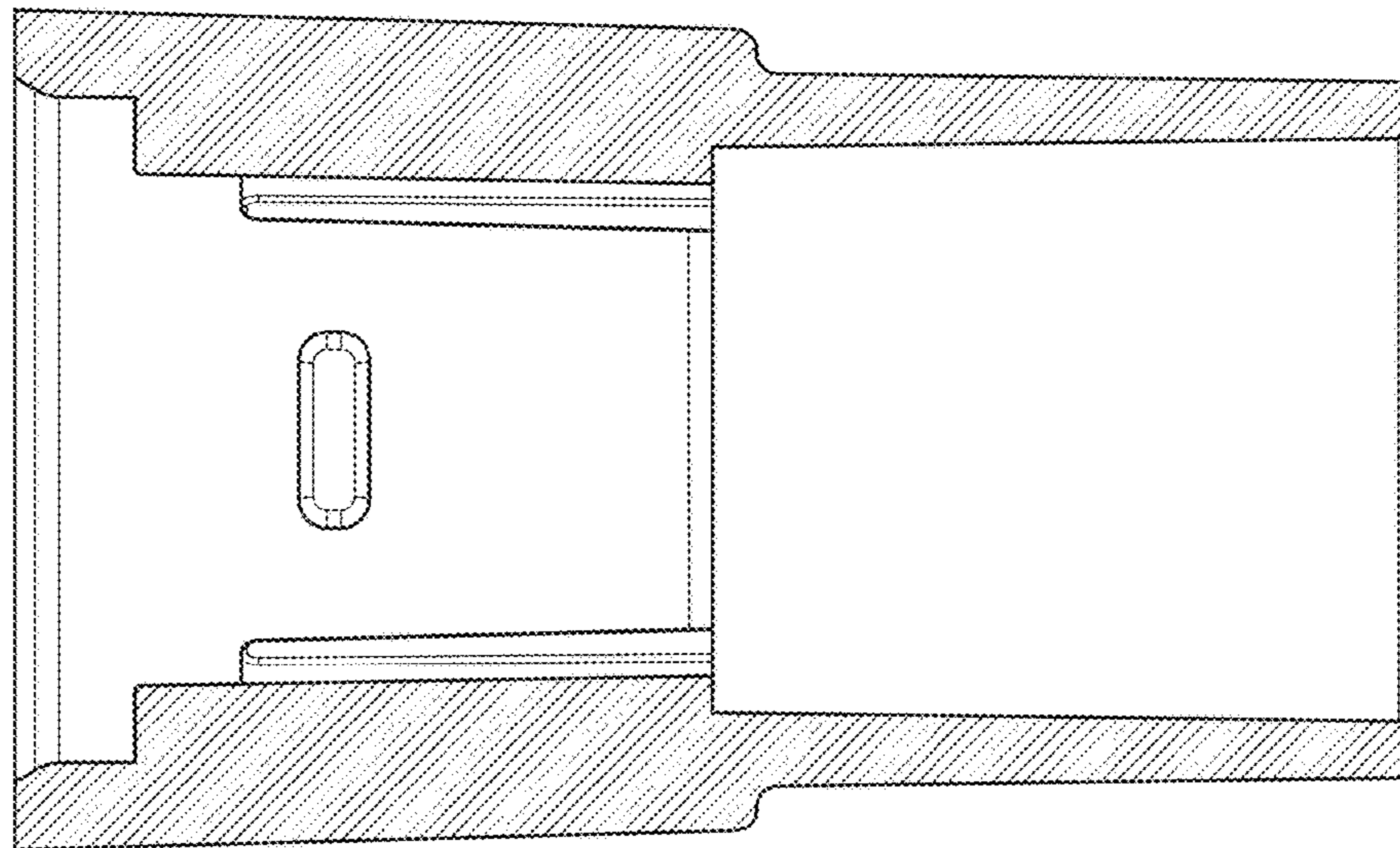


FIG. 19

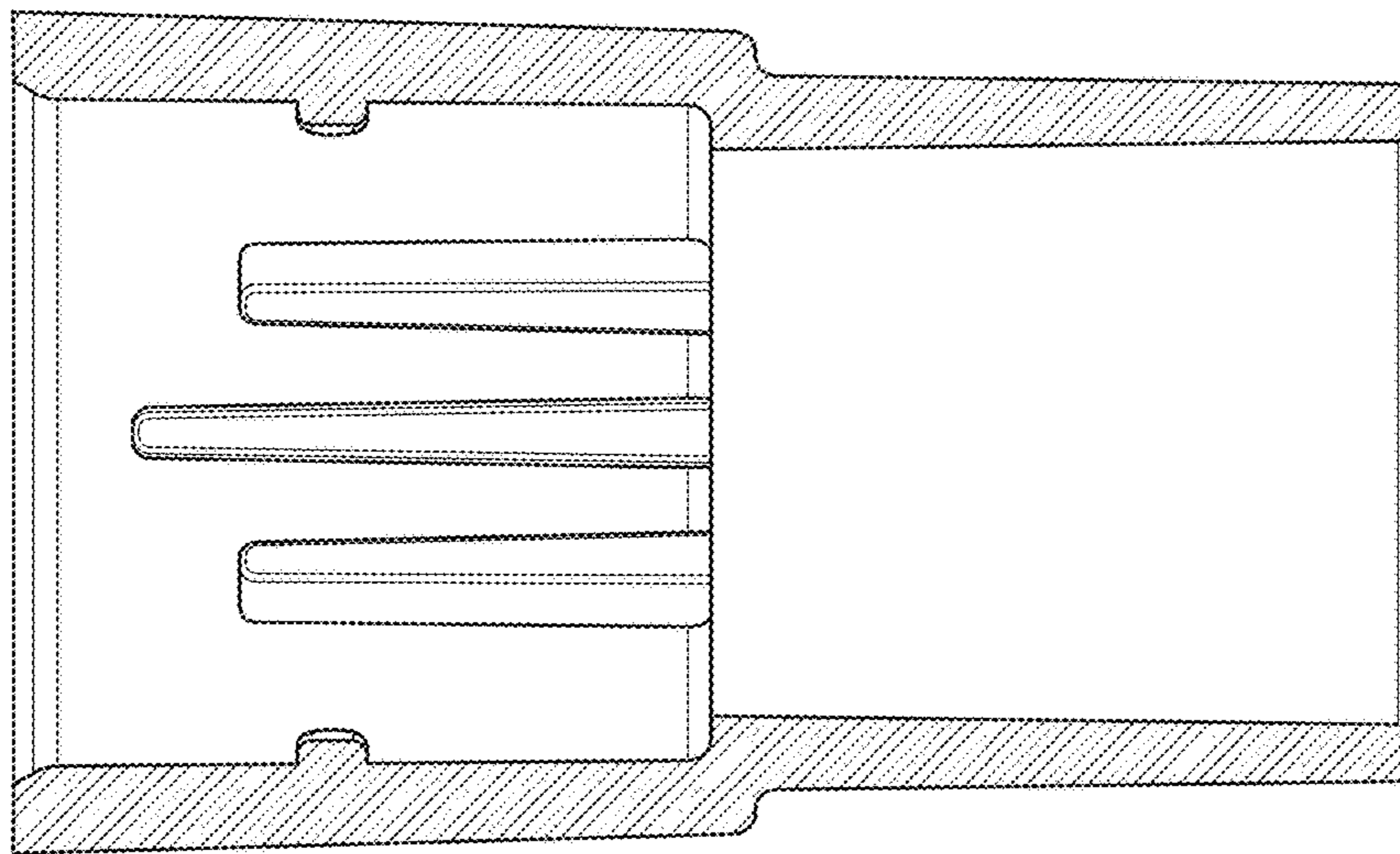


FIG. 20

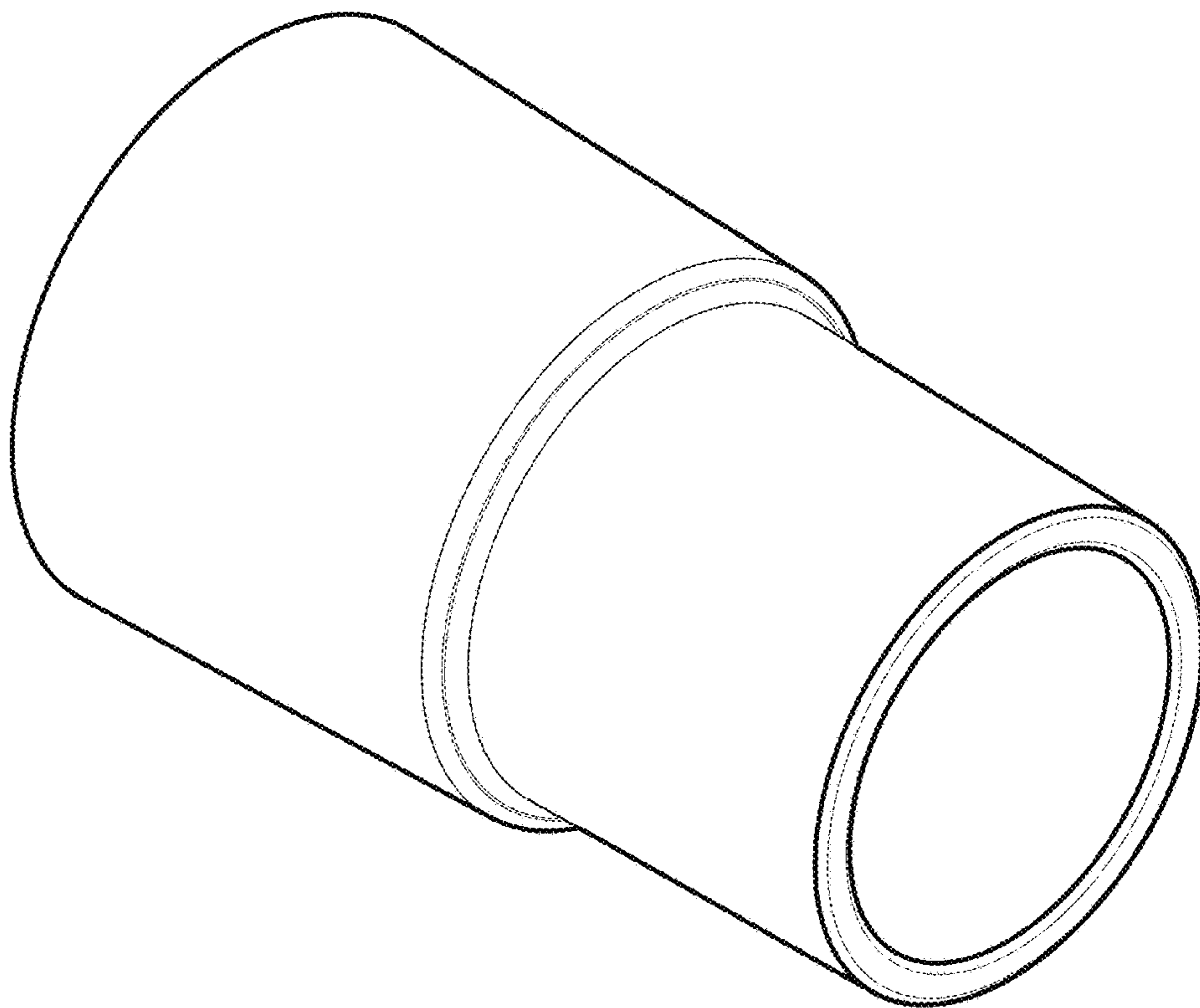


FIG. 21

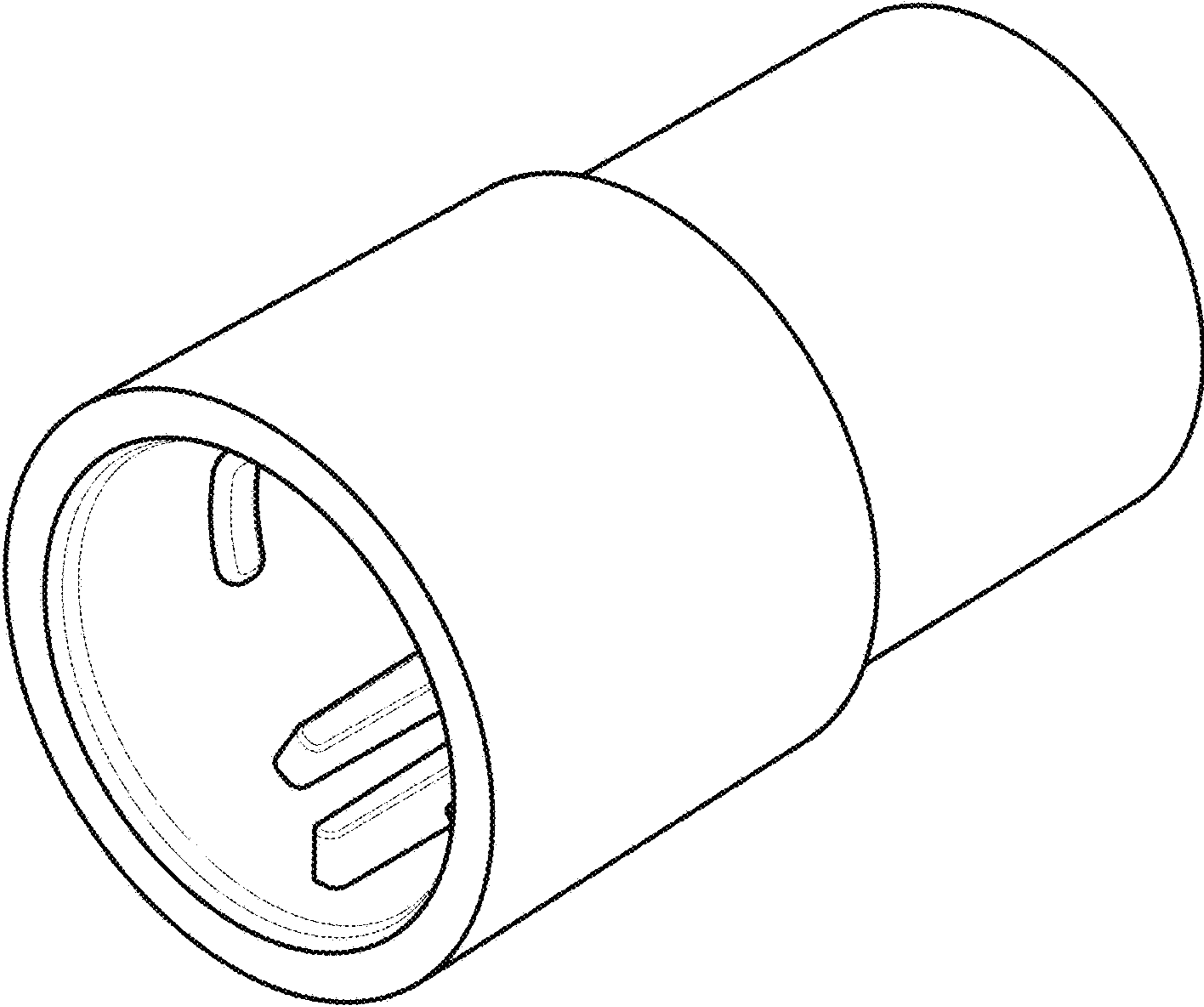


FIG. 22

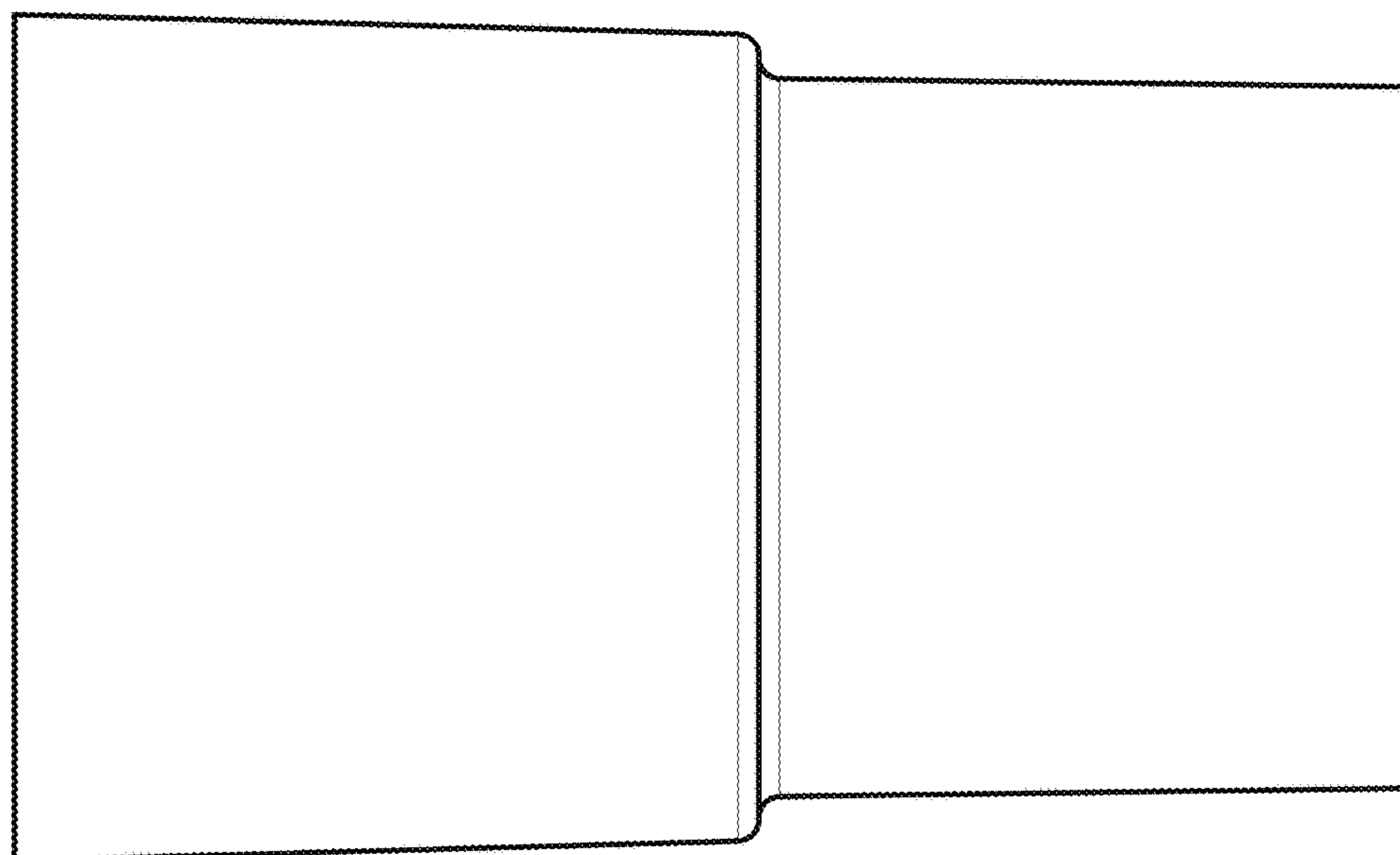


FIG. 23

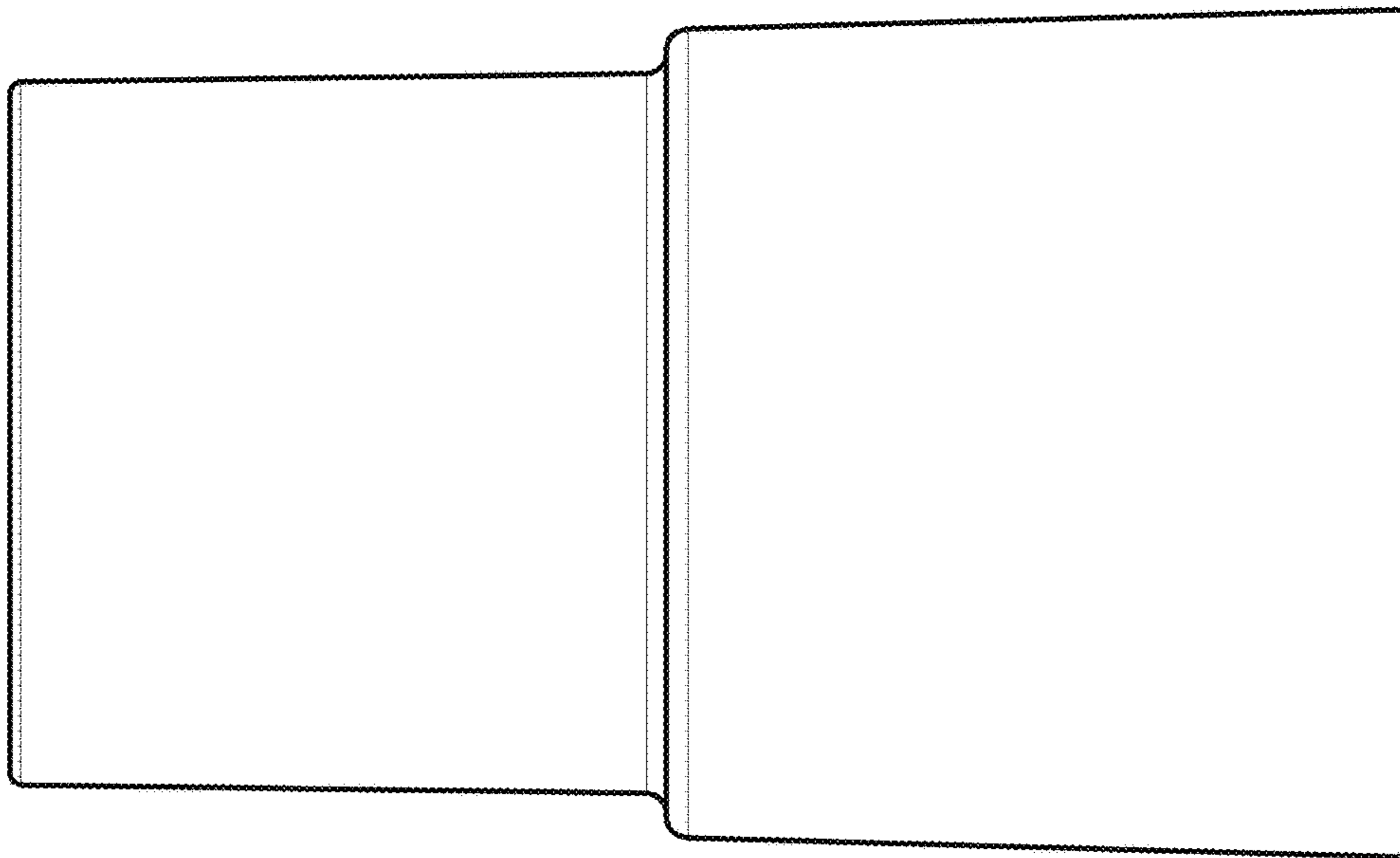


FIG. 24

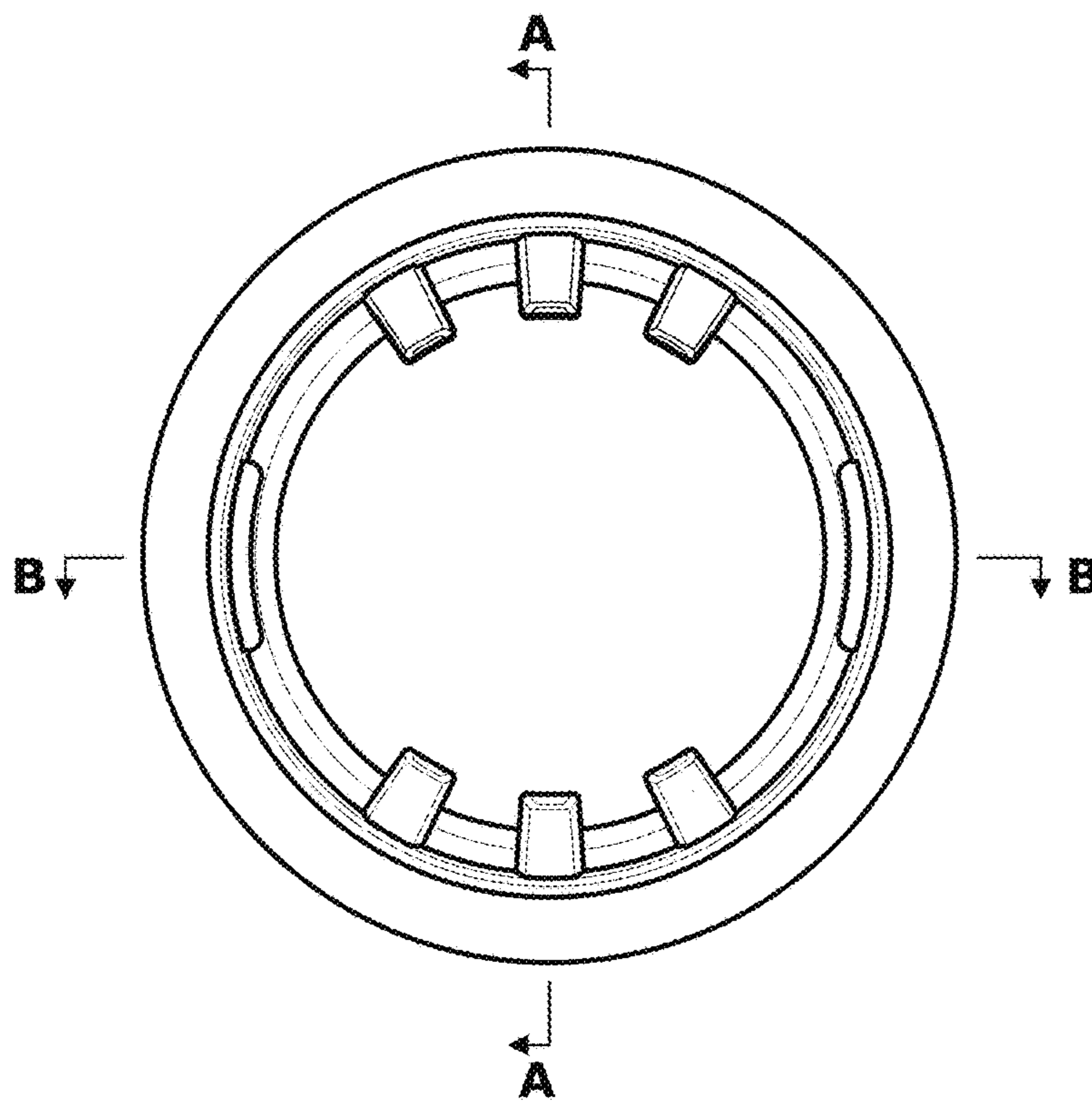


FIG. 25

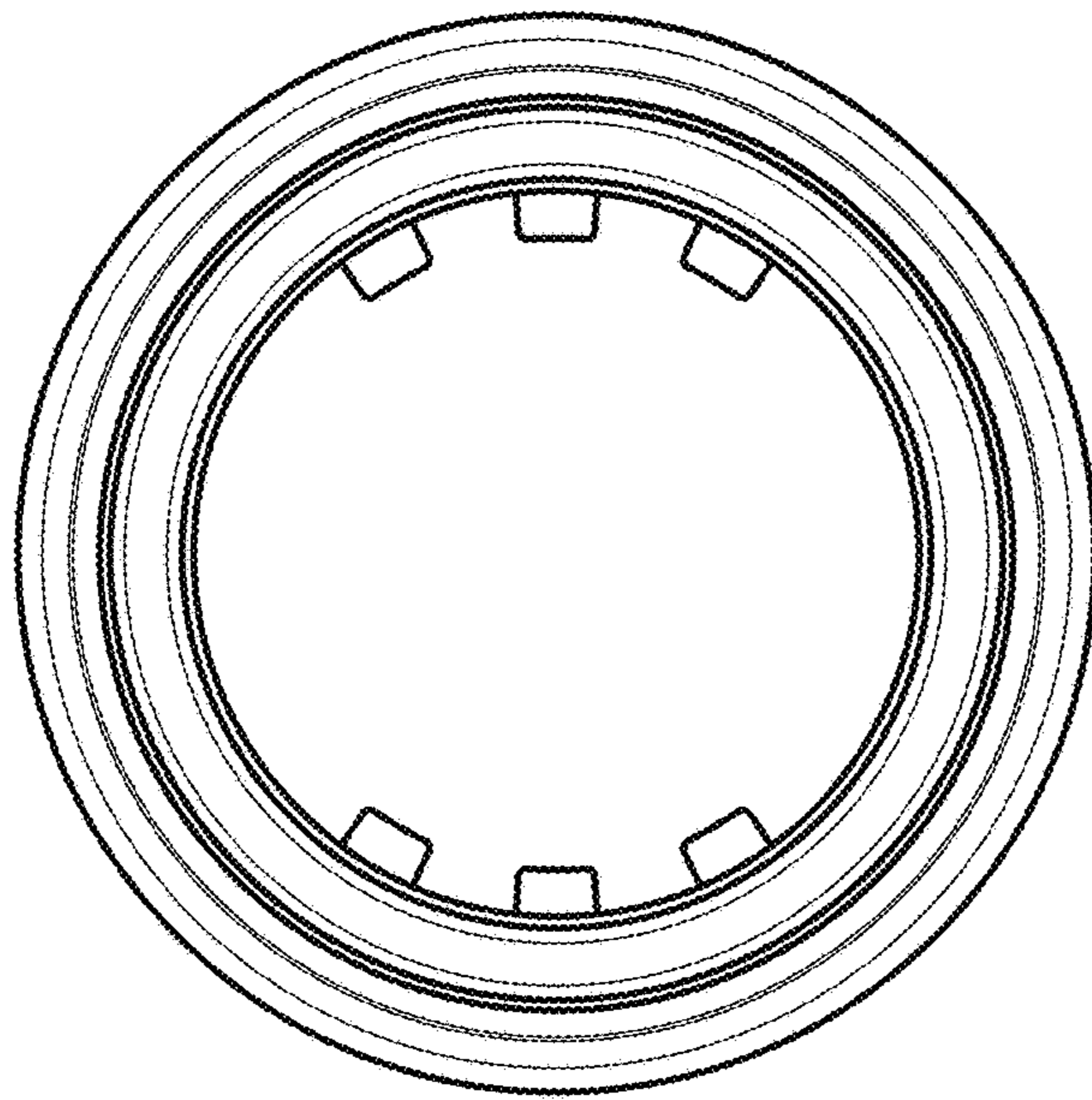


FIG. 26

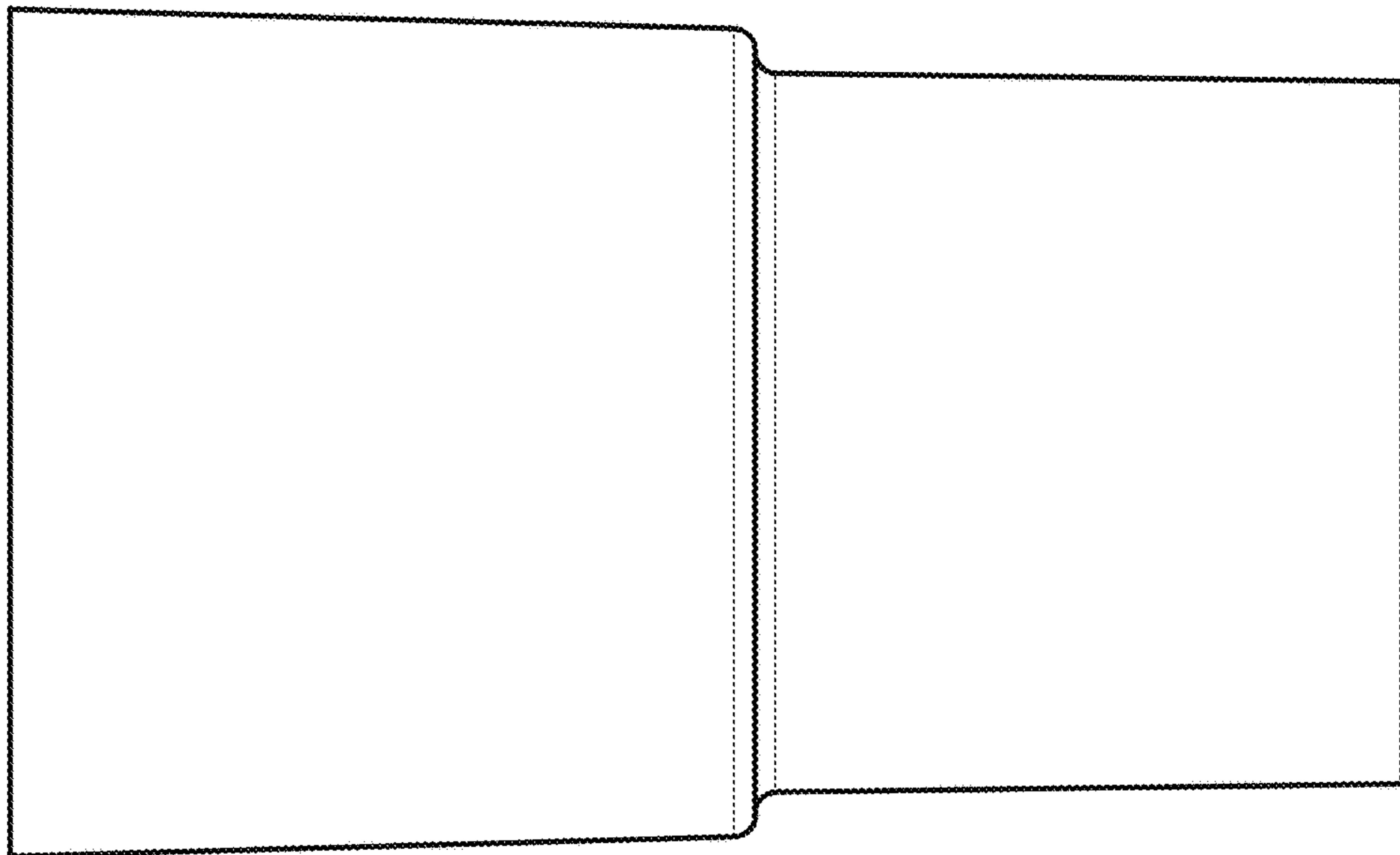


FIG. 27

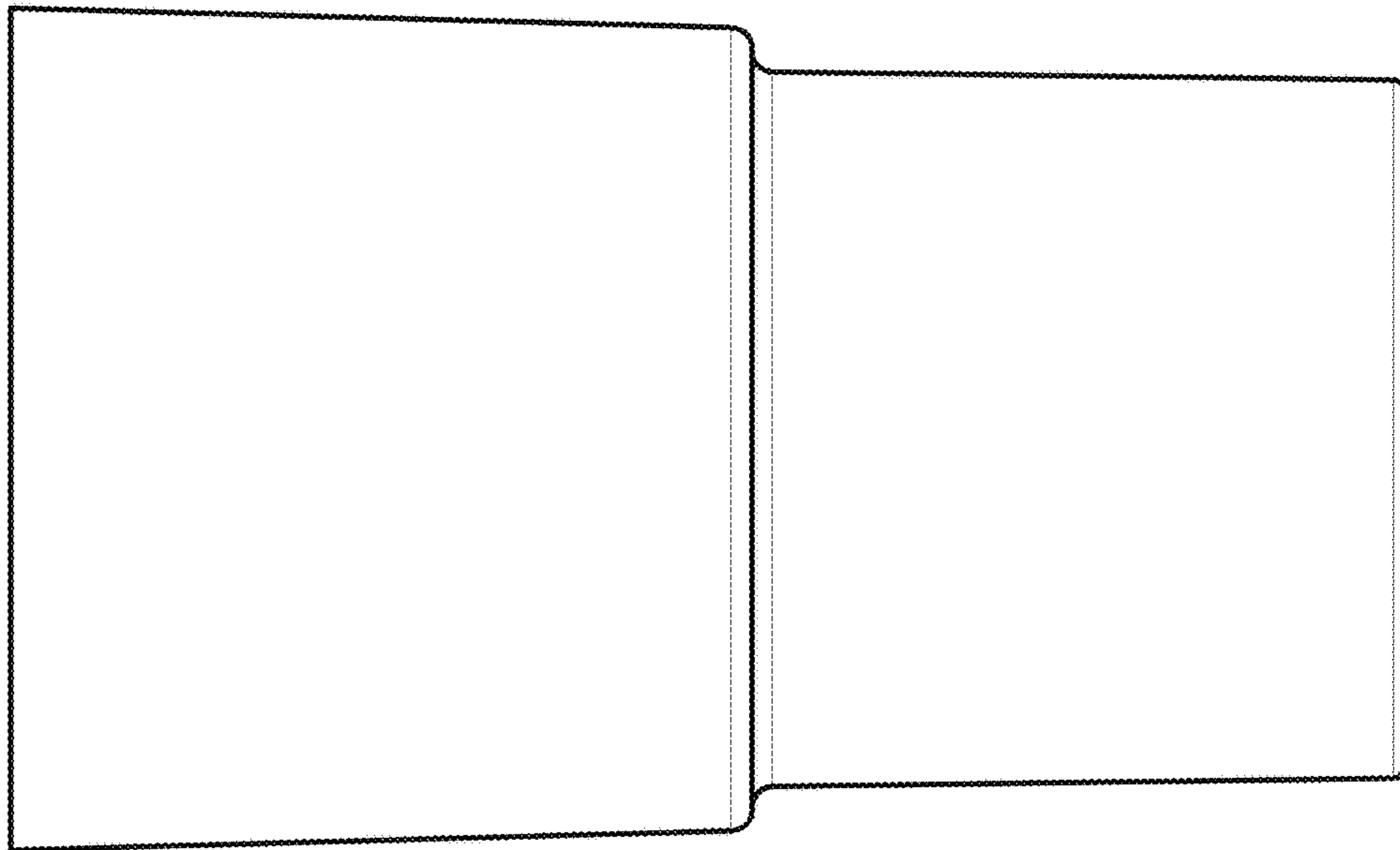


FIG. 28

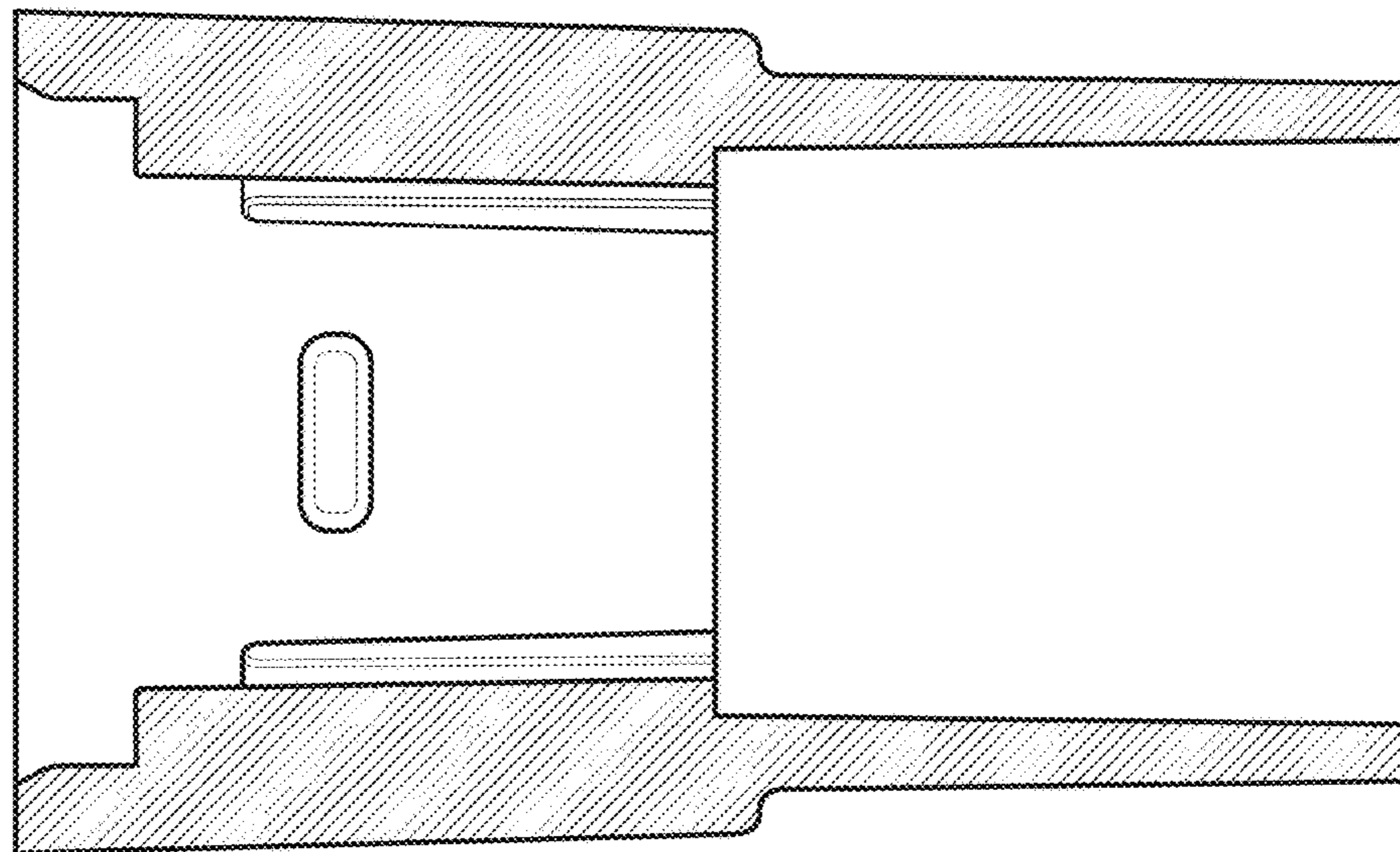


FIG. 29

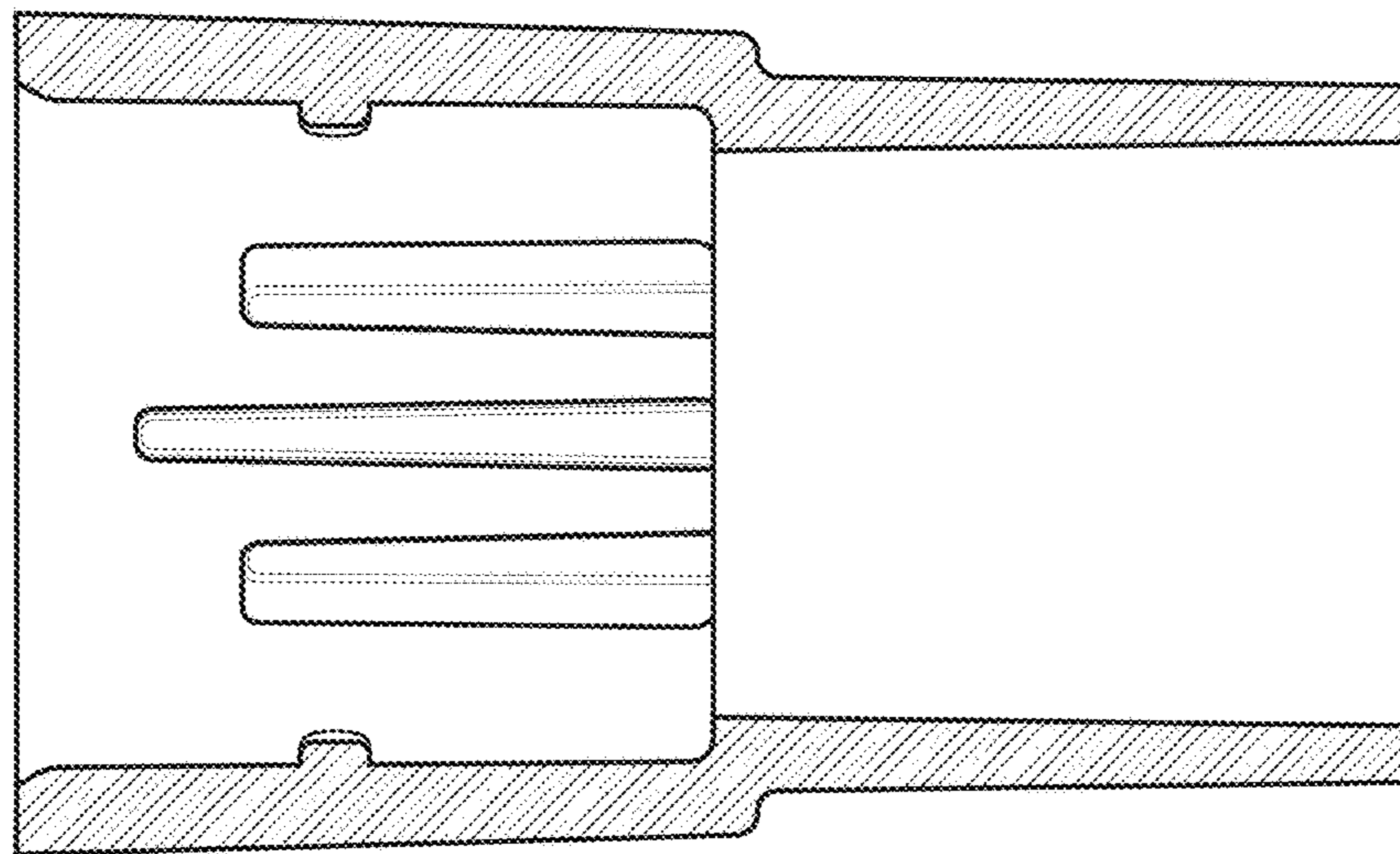


FIG. 30