

US00D867584S

(12) **United States Design Patent** (10) **Patent No.:** **US D867,584 S**  
**Zercher et al.** (45) **Date of Patent:** **\*\* Nov. 19, 2019**

(54) **URINE COLLECTION INSERT FOR PLACEMENT IN A URINE SAMPLE COLLECTION TUBE AND FOR USE WITH A URINE TEST STRIP**

(71) Applicant: **Siemens Healthcare Diagnostics Inc.**, Tarrytown, NY (US)

(72) Inventors: **Amy Zercher**, Nappanee, IN (US); **Jennifer Goldsburg**, Vandalia, MI (US)

(73) Assignee: **Siemens Healthcare Diagnostics Inc.**, Tarrytown, NY (US)

(\*\*) Term: **15 Years**

(21) Appl. No.: **29/666,283**

(22) Filed: **Oct. 11, 2018**

**Related U.S. Application Data**

(63) Continuation of application No. 15/303,903, filed as application No. PCT/US2015/025558 on Apr. 13, 2015, now abandoned.

(51) **LOC (12) Cl.** ..... **24-02**

(52) **U.S. Cl.**  
USPC ..... **D24/122**

(58) **Field of Classification Search**  
USPC ..... D24/120, 121, 108, 193, 113, 150;  
604/294-302, 289, 290; 4/620; 215/4,  
(Continued)

(56) **References Cited**

**U.S. PATENT DOCUMENTS**

4,273,653 A 6/1981 Uihlein  
4,473,530 A 9/1984 Villa-Real  
(Continued)

**FOREIGN PATENT DOCUMENTS**

JP S48060489 A 8/1973  
JP H10202120 A 8/1998  
(Continued)

**OTHER PUBLICATIONS**

International Search Report and Written Opinion of International Application No. PCT/US2015/025558 dated Jul. 6, 2015.

(Continued)

*Primary Examiner* — David G Muller

(74) *Attorney, Agent, or Firm* — Dunlap Codding P.C.

(57) **CLAIM**

The ornamental design for a urine collection insert for placement in a urine sample collection tube and for use with a urine test strip, as shown and described.

**DESCRIPTION**

FIG. 1 is an isolated perspective view of an urine collection insert for placement in a urine sample collection tube and for use with a urine test strip according to our design in one unclaimed environment;

FIG. 2 is a bottom plan view thereof;

FIG. 3 is a top plan view thereof;

FIG. 4 is a front elevation view thereof;

FIG. 5 is a rear elevation view thereof;

FIG. 6 is a left side elevation view thereof;

FIG. 7 is a right side elevation view thereof;

FIG. 8 is a perspective view of the urine collection insert for placement in a urine sample collection tube and for use with a urine test strip in accordance with our design in a different unclaimed environment;

FIG. 9 is a perspective view of an urine collection insert for placement in a urine sample collection tube and for use with a urine test strip according to our design in a different unclaimed environment;

FIG. 10 is a bottom plan view thereof;

FIG. 11 is a top plan view thereof;

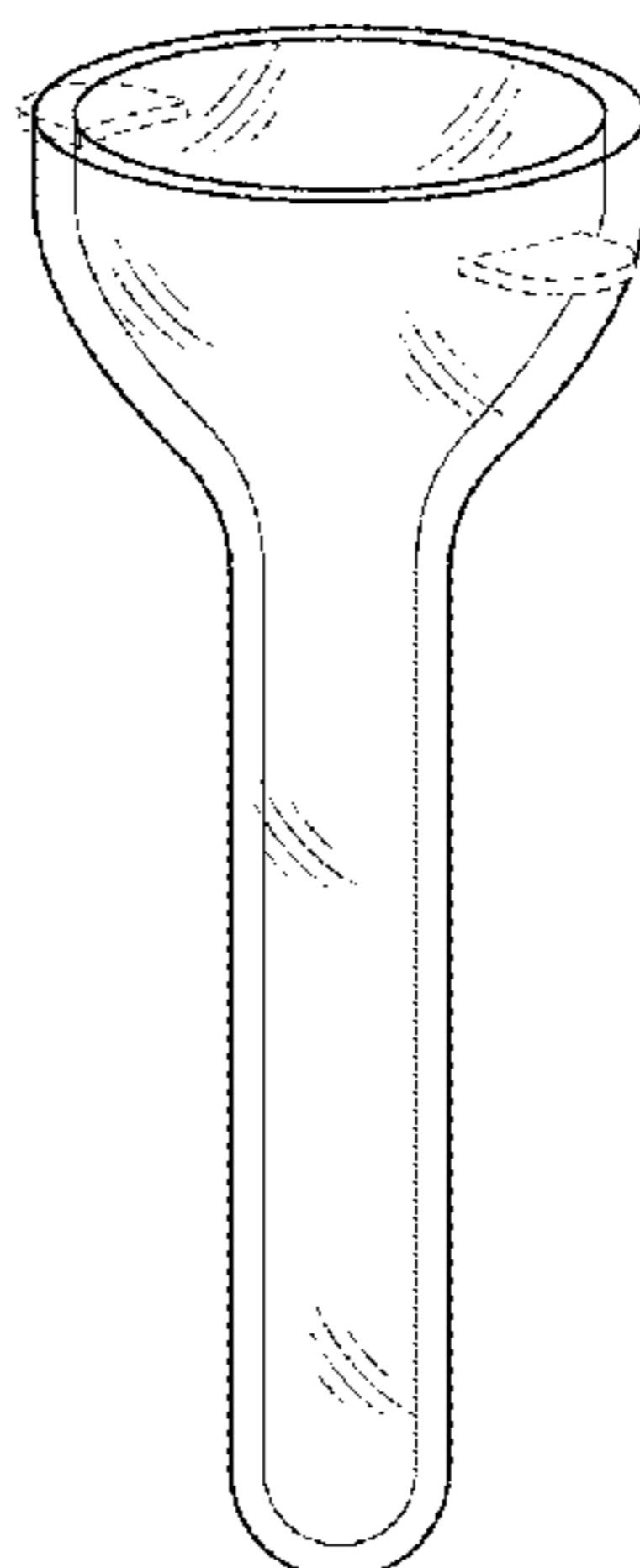
FIG. 12 is a left side elevation view thereof;

FIG. 13 is a right side elevation view thereof;

FIG. 14 is a front elevation view thereof; and,

FIG. 15 is a rear elevation view thereof.

(Continued)



The broken line portion of the figure drawings is included to show unclaimed subject matter only for the purpose of illustrating environment and forms no part of the claimed design.

**1 Claim, 5 Drawing Sheets**

**(58) Field of Classification Search**

USPC ..... 215/305, 328; 206/210, 828; 222/566,  
222/575, 420; D9/453  
CPC ..... A61M 1/0003; B65D 47/18; A61F 9/0026  
See application file for complete search history.

**(56) References Cited**

U.S. PATENT DOCUMENTS

4,483,616	A	11/1984	Liston et al.
5,084,241	A	1/1992	Parker
D365,146	S *	12/1995	Olson ..... D24/108
5,964,740	A *	10/1999	Ouchi ..... A61M 25/0084 604/164.01
6,447,489	B1 *	9/2002	Peterson ..... A61B 17/3439 600/204
6,800,084	B2 *	10/2004	Davison ..... A61B 17/0218 604/264
7,563,250	B2 *	7/2009	Wenchell ..... A61B 17/3417 604/167.01

D626,645	S *	11/2010	Omori ..... D24/108
D651,322	S *	12/2011	Svard ..... D24/224
8,657,805	B2 *	2/2014	Peh ..... A61B 1/00082 604/529
D726,904	S *	4/2015	Haas ..... D24/127
D743,560	S *	11/2015	Pietrantonio ..... D24/186
D748,270	S *	1/2016	Pietrantonio ..... D24/186
D790,726	S *	6/2017	Plante ..... D24/121
D837,999	S *	1/2019	Sasano ..... D24/224
2003/0021727	A1	1/2003	Weyker et al.
2003/0104510	A1	6/2003	Yu
2003/0165405	A1	9/2003	Tydings
2005/0048670	A1	3/2005	Wu et al.
2007/0092402	A1	4/2007	Wu et al.
2008/0081341	A1	4/2008	Maher et al.
2009/0259145	A1	10/2009	Bartfeld et al.
2012/0141341	A1	6/2012	Bartfeld et al.
2013/0022517	A1	1/2013	Engel et al.
2015/0157300	A1	6/2015	Ealovega et al.

FOREIGN PATENT DOCUMENTS

JP	2007532260	A	11/2007
JP	5108503	B2	12/2012
JP	2014502357	A	1/2014

OTHER PUBLICATIONS

European Search Report and Written Opinion of European Application No. 15782664.5 dated May 30, 2017.

\* cited by examiner

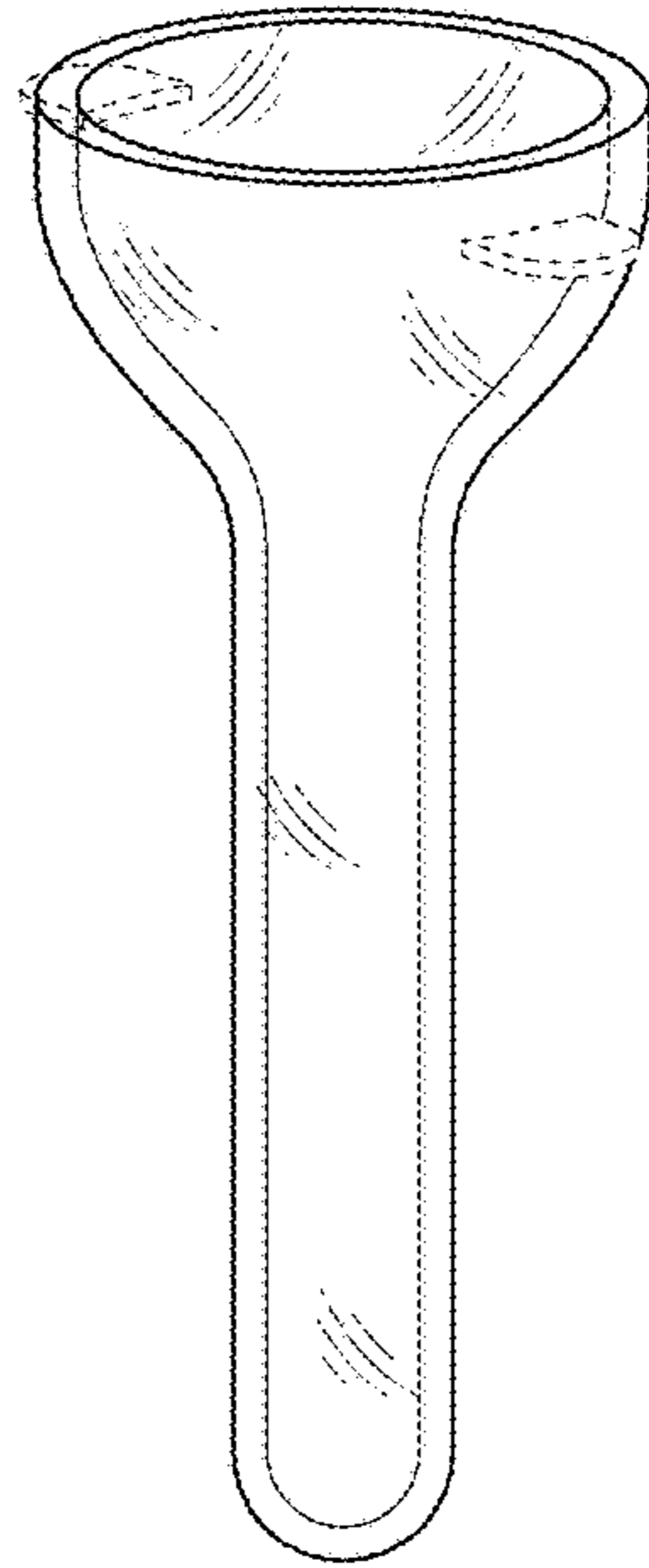


FIG. 1

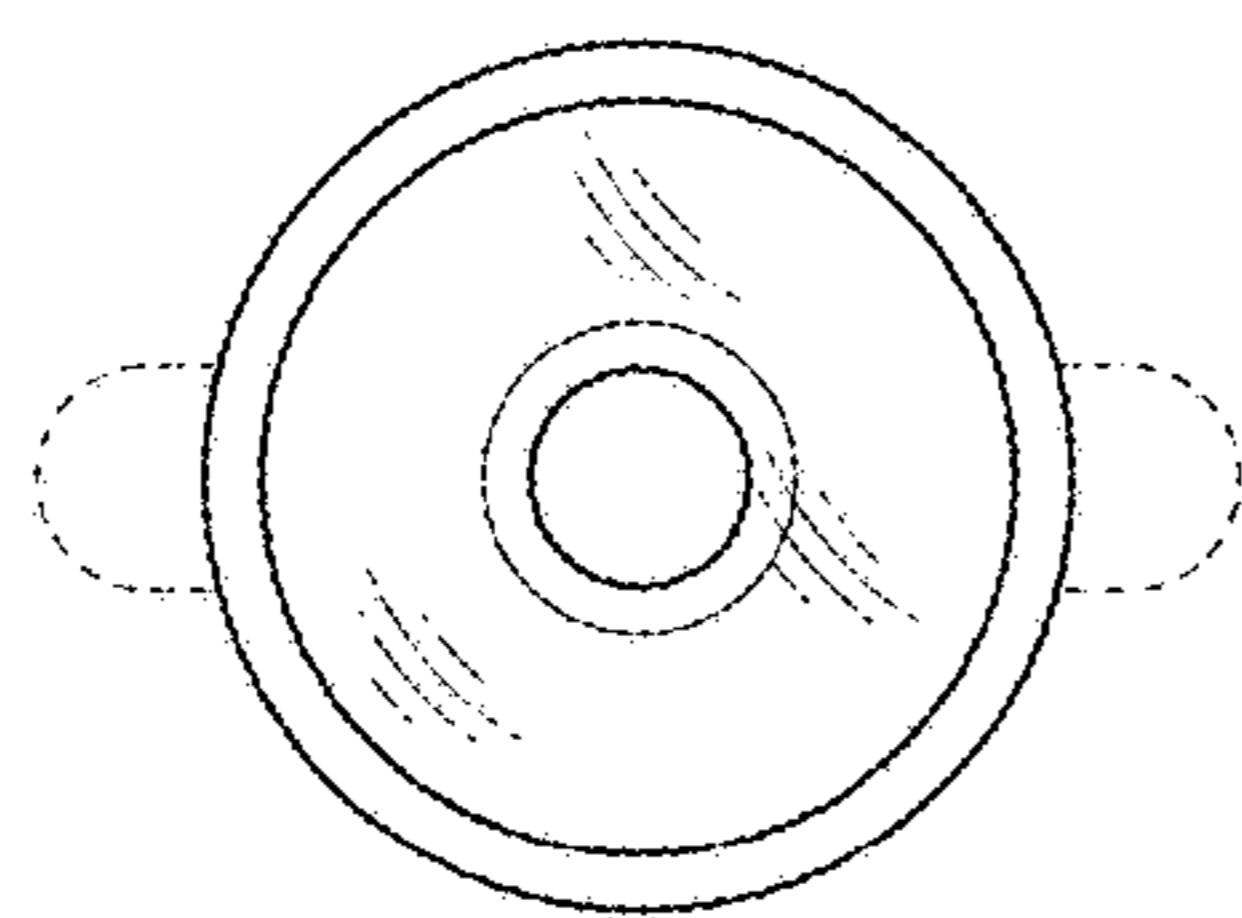


FIG. 2

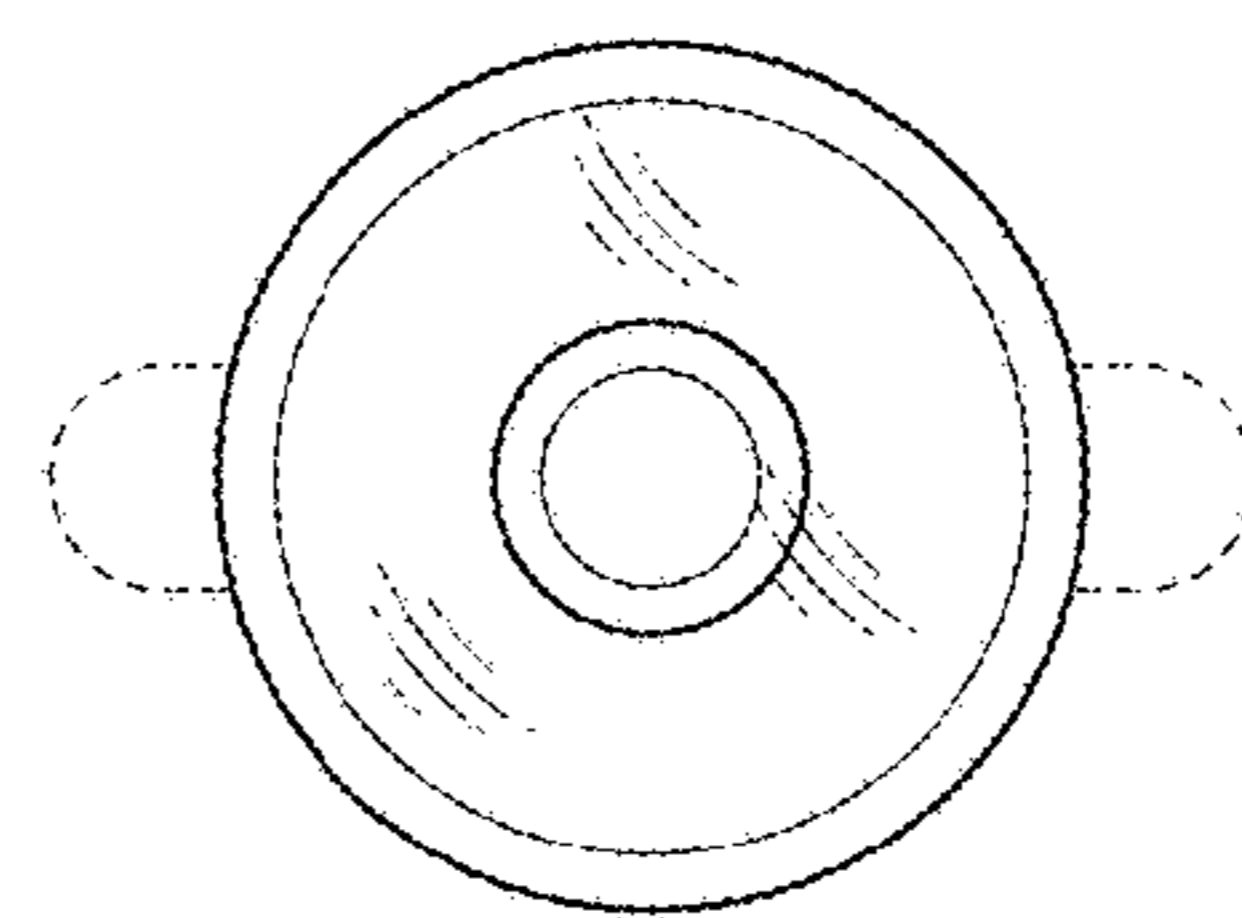


FIG. 3

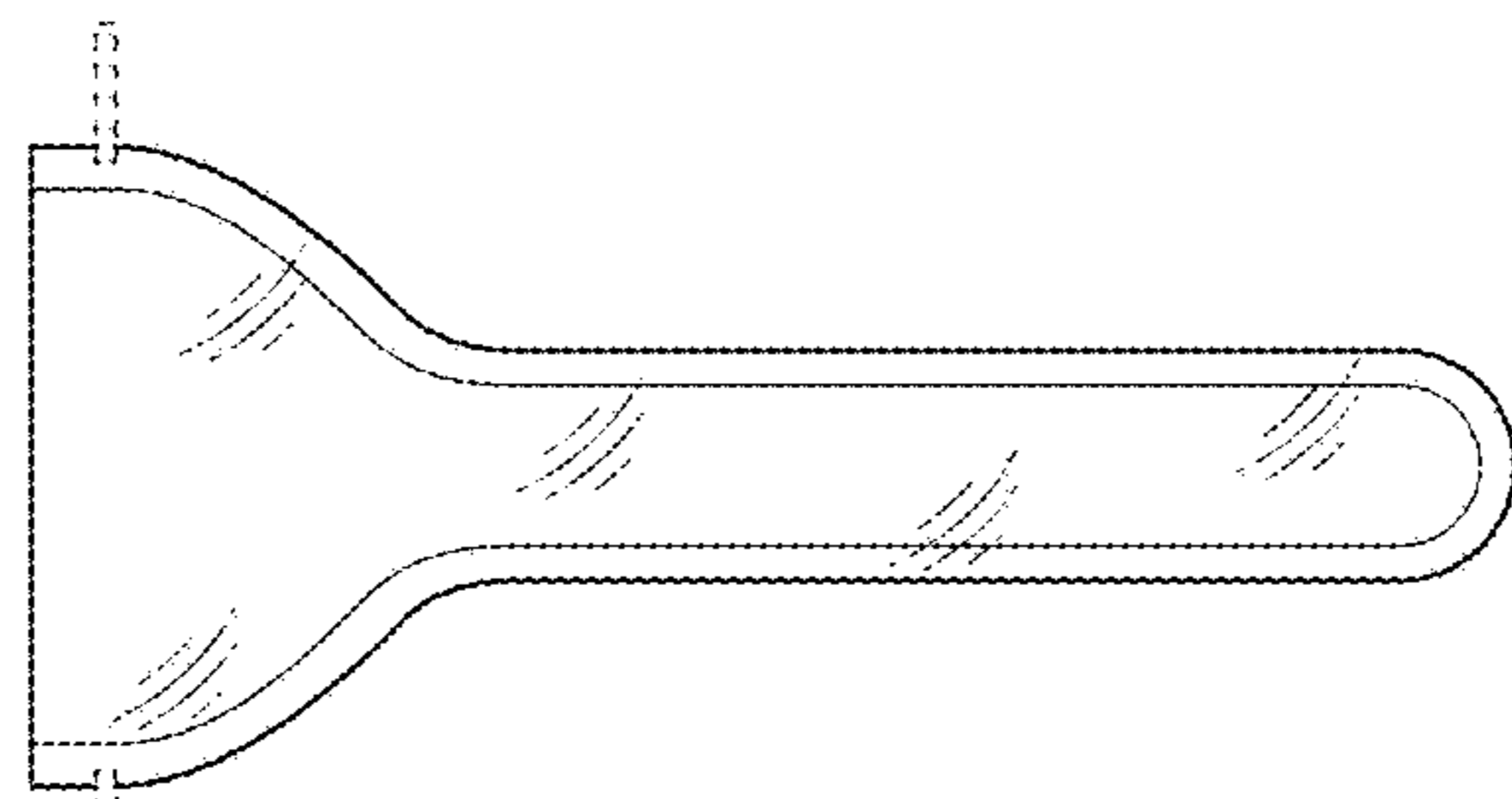


FIG. 7

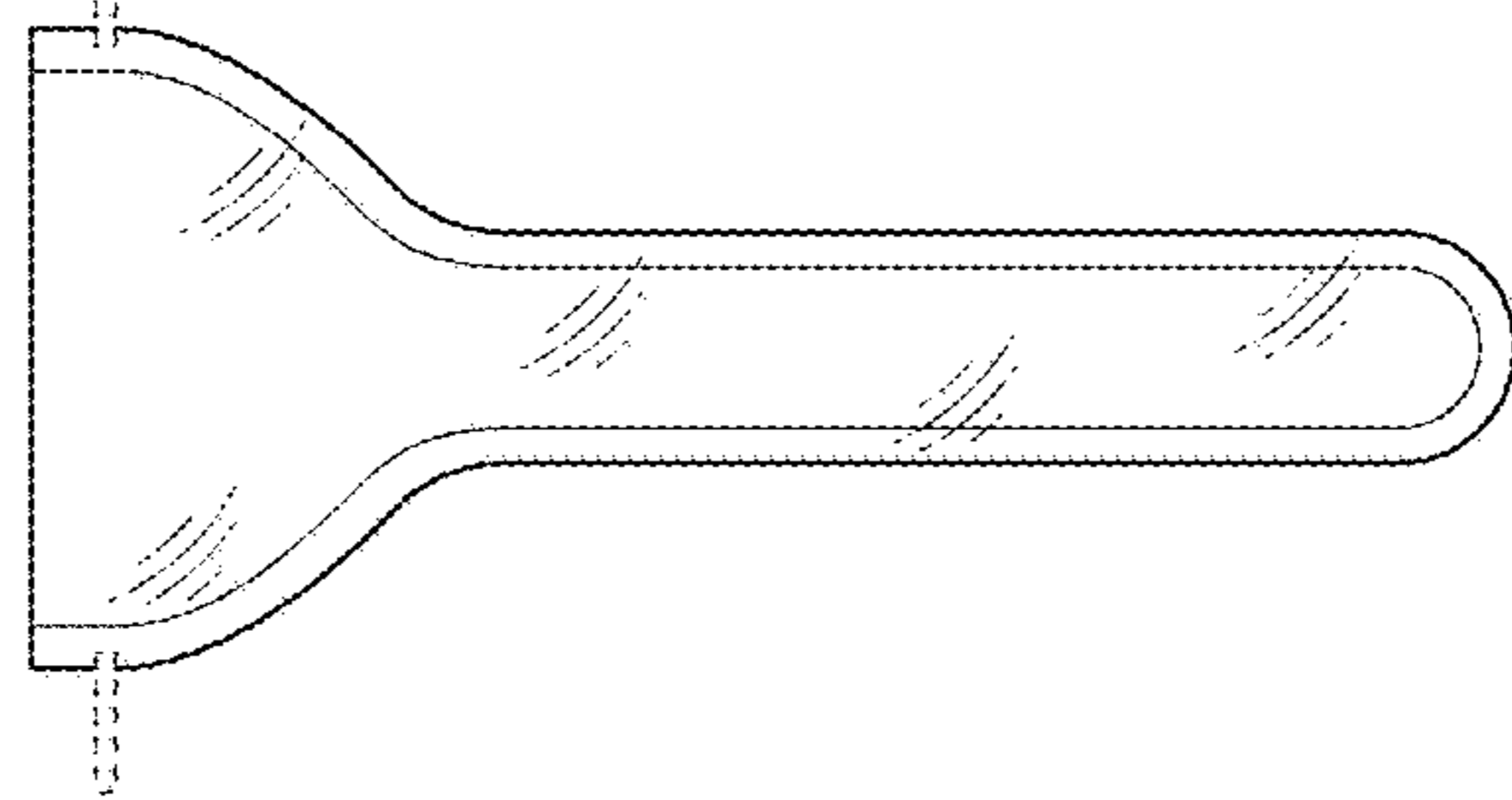


FIG. 6

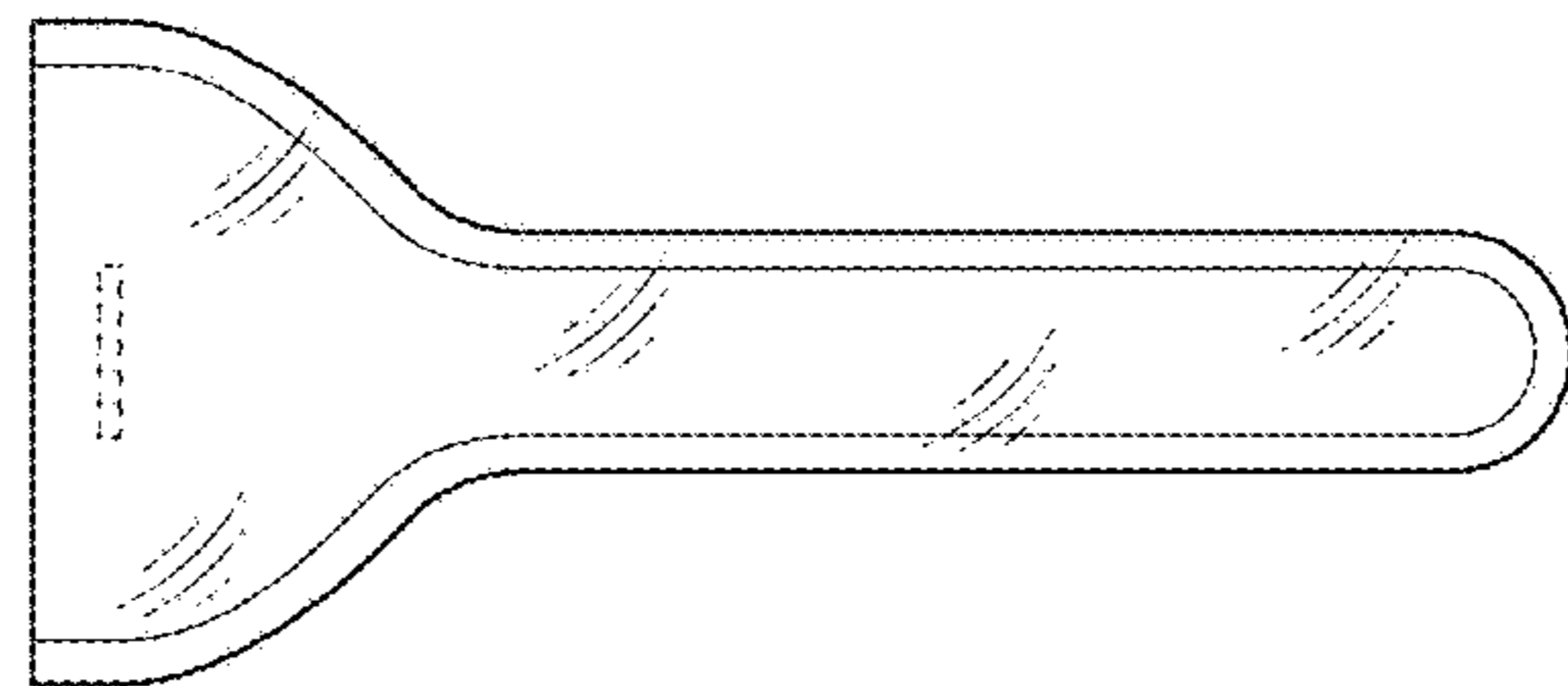


FIG. 5

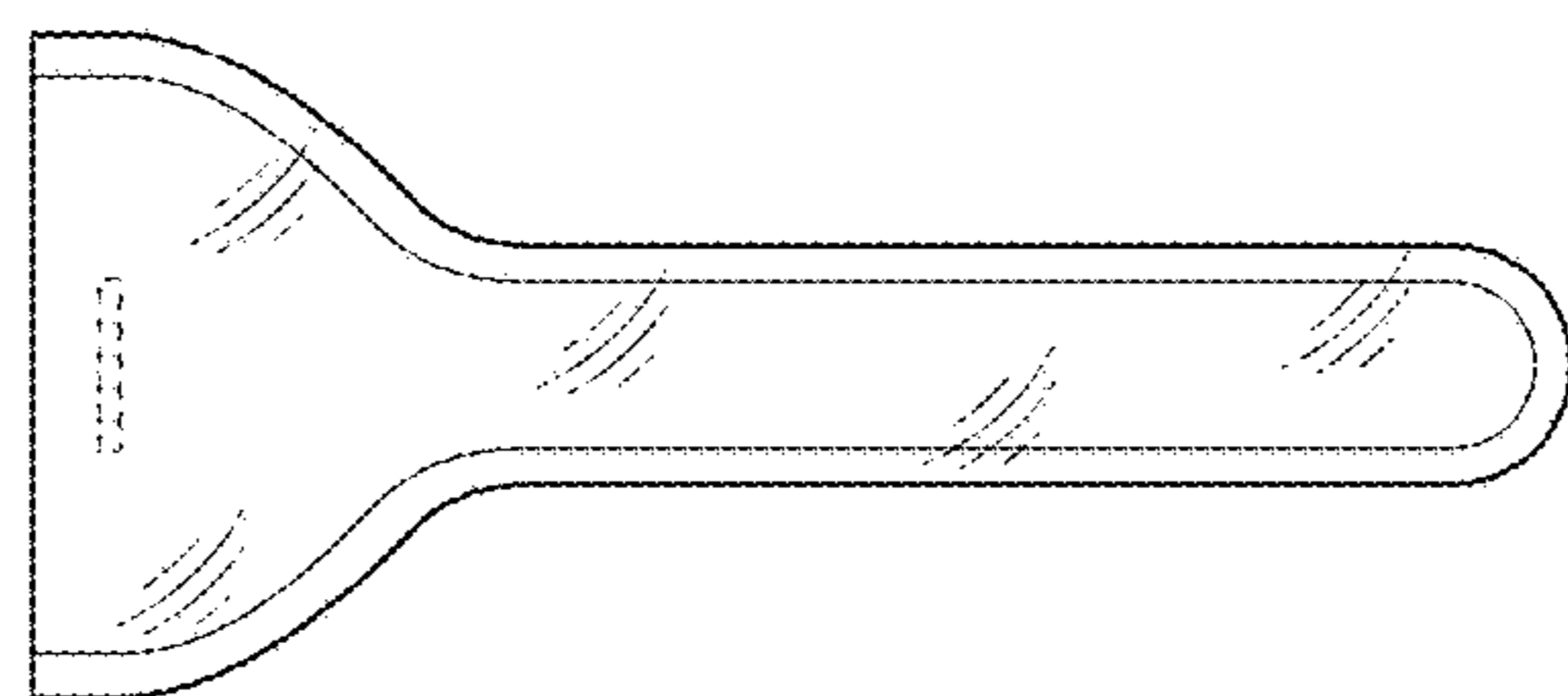


FIG. 4

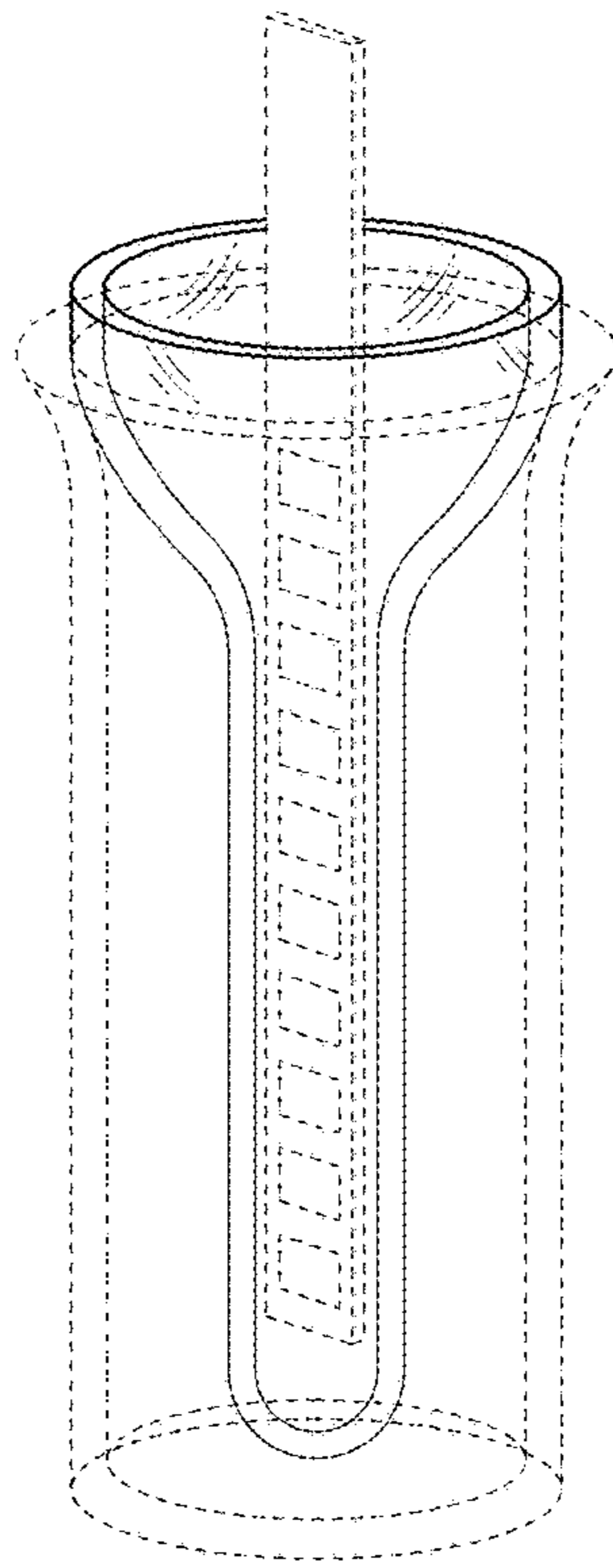


FIG. 8

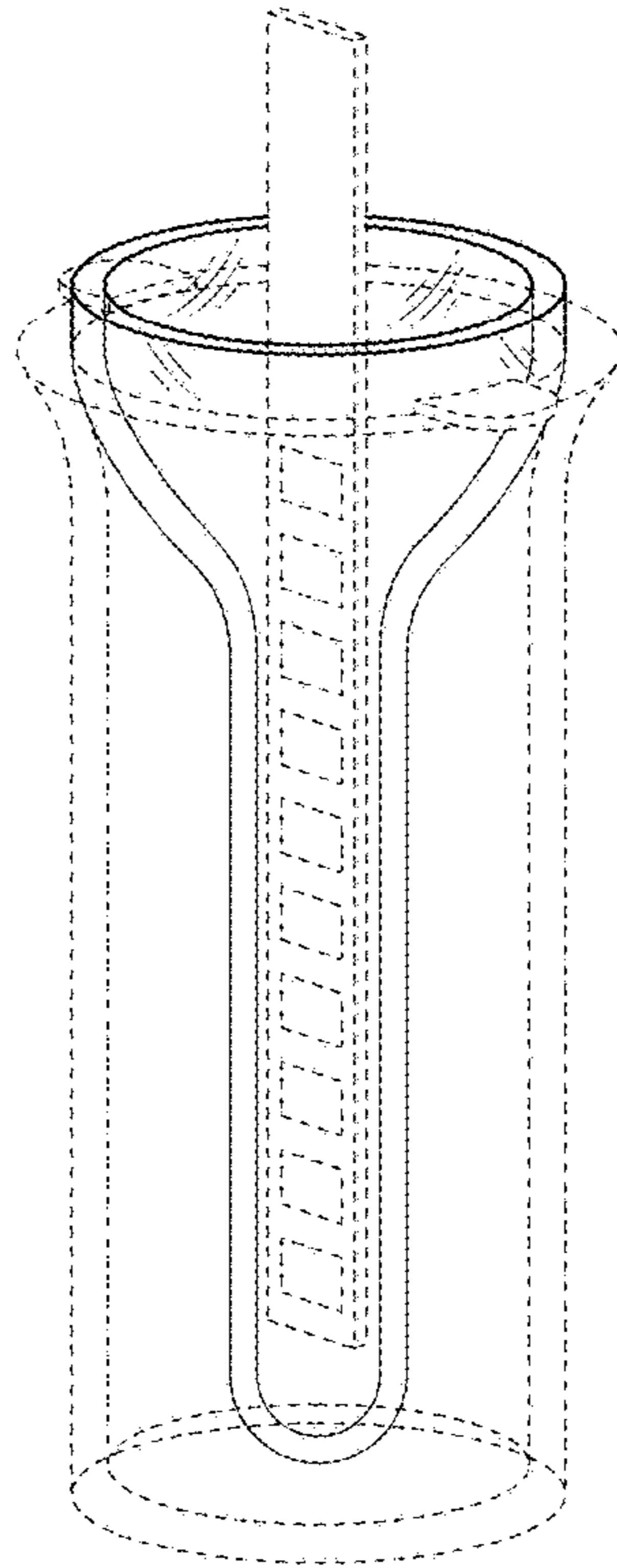


FIG. 9

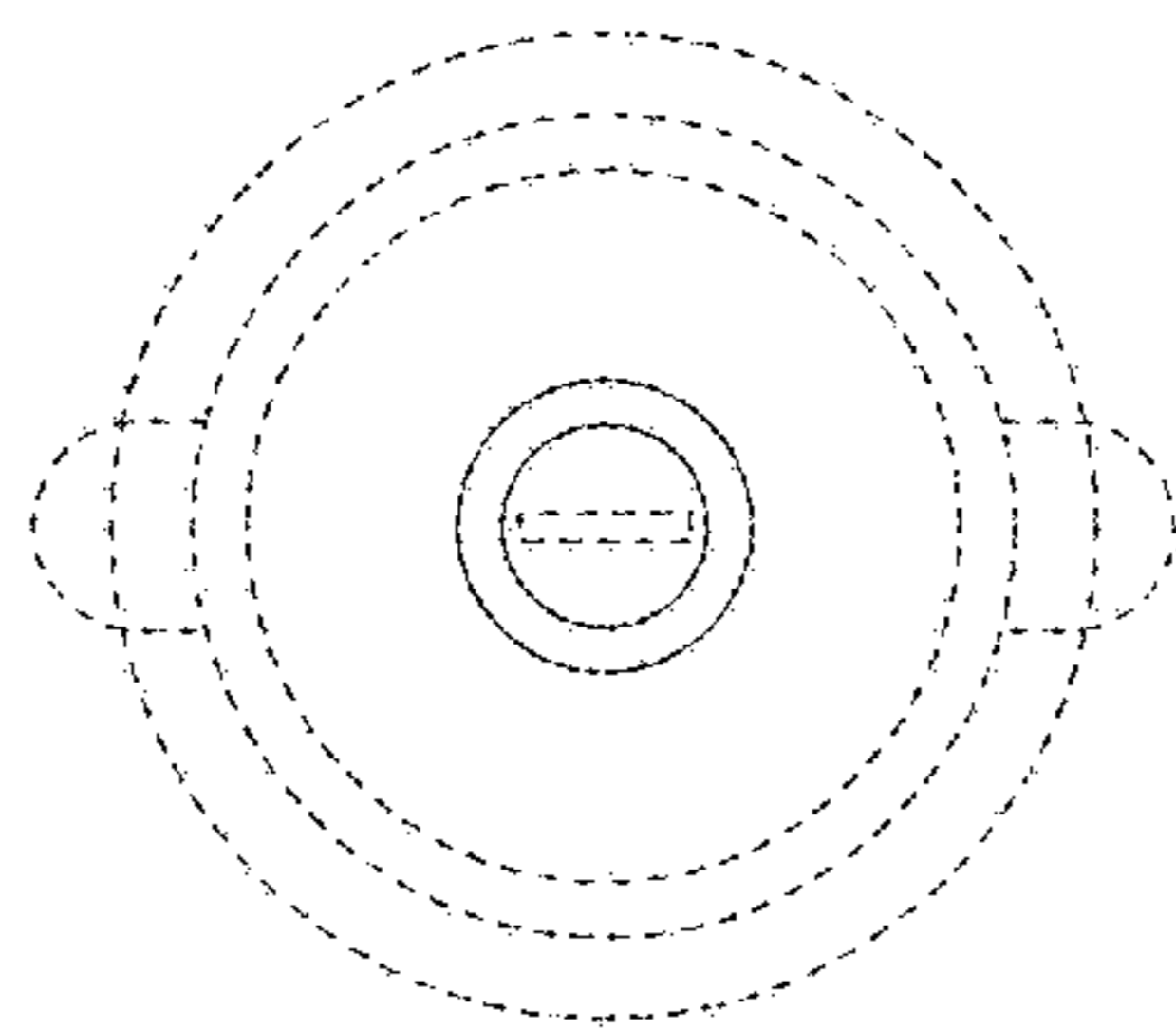


FIG. 10

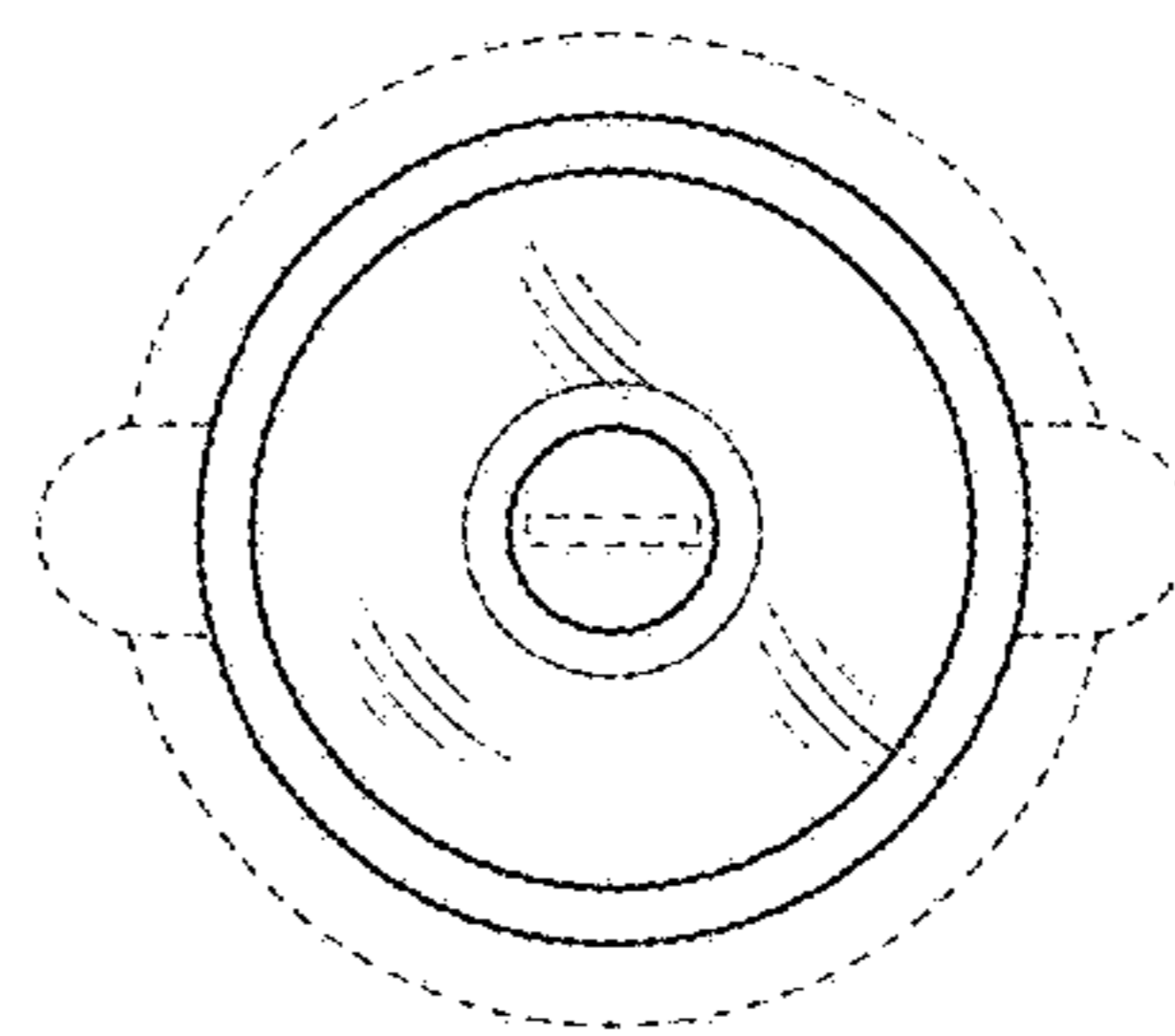


FIG. 11

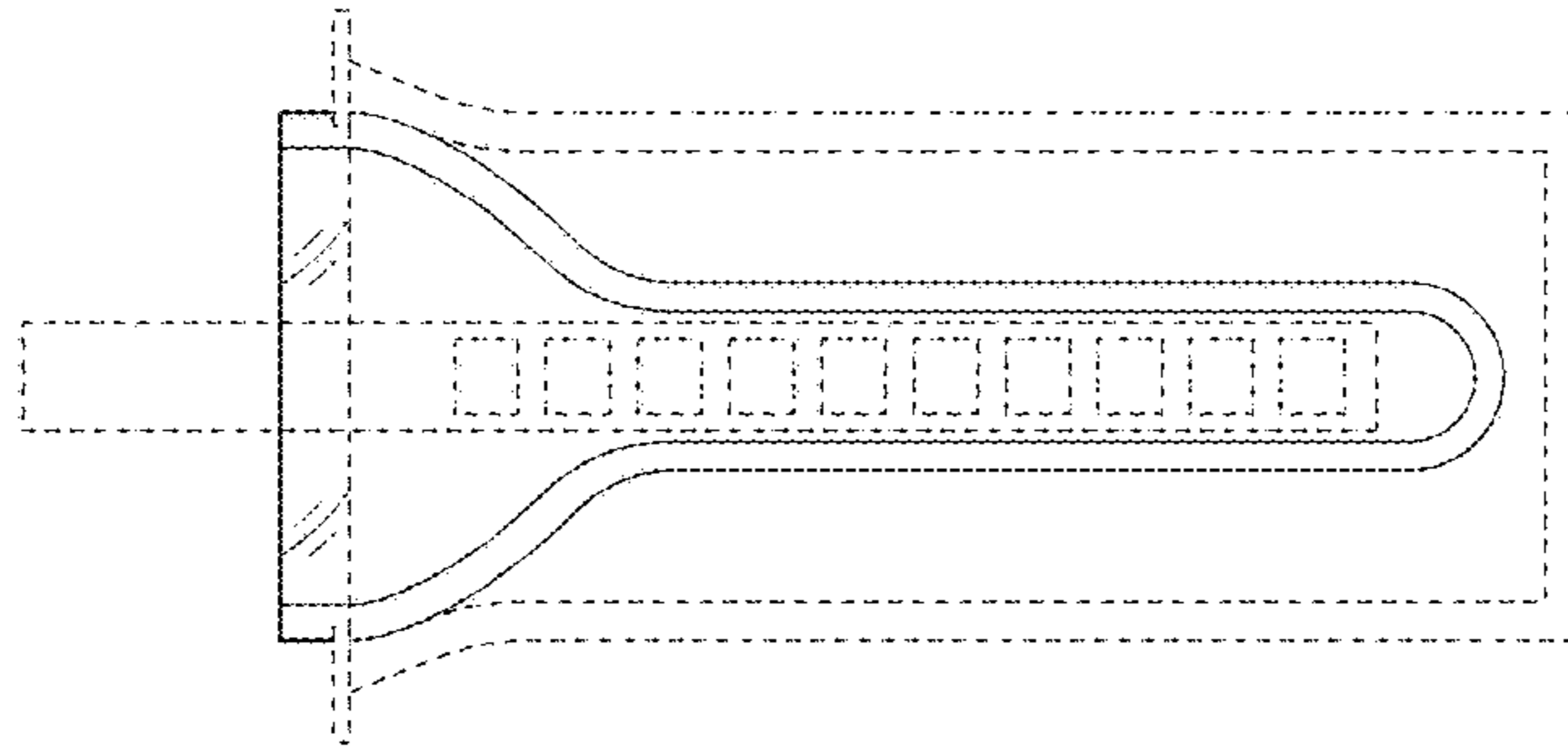


FIG. 12

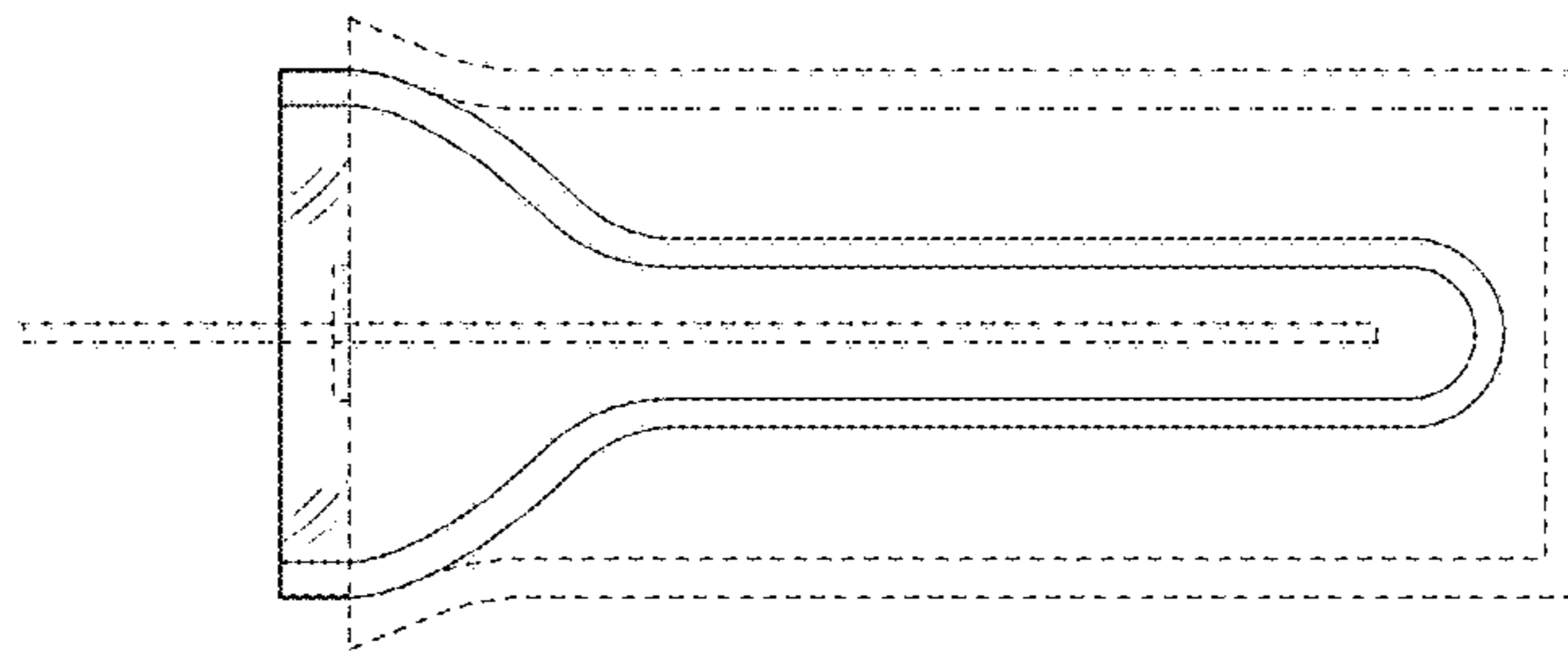


FIG. 13

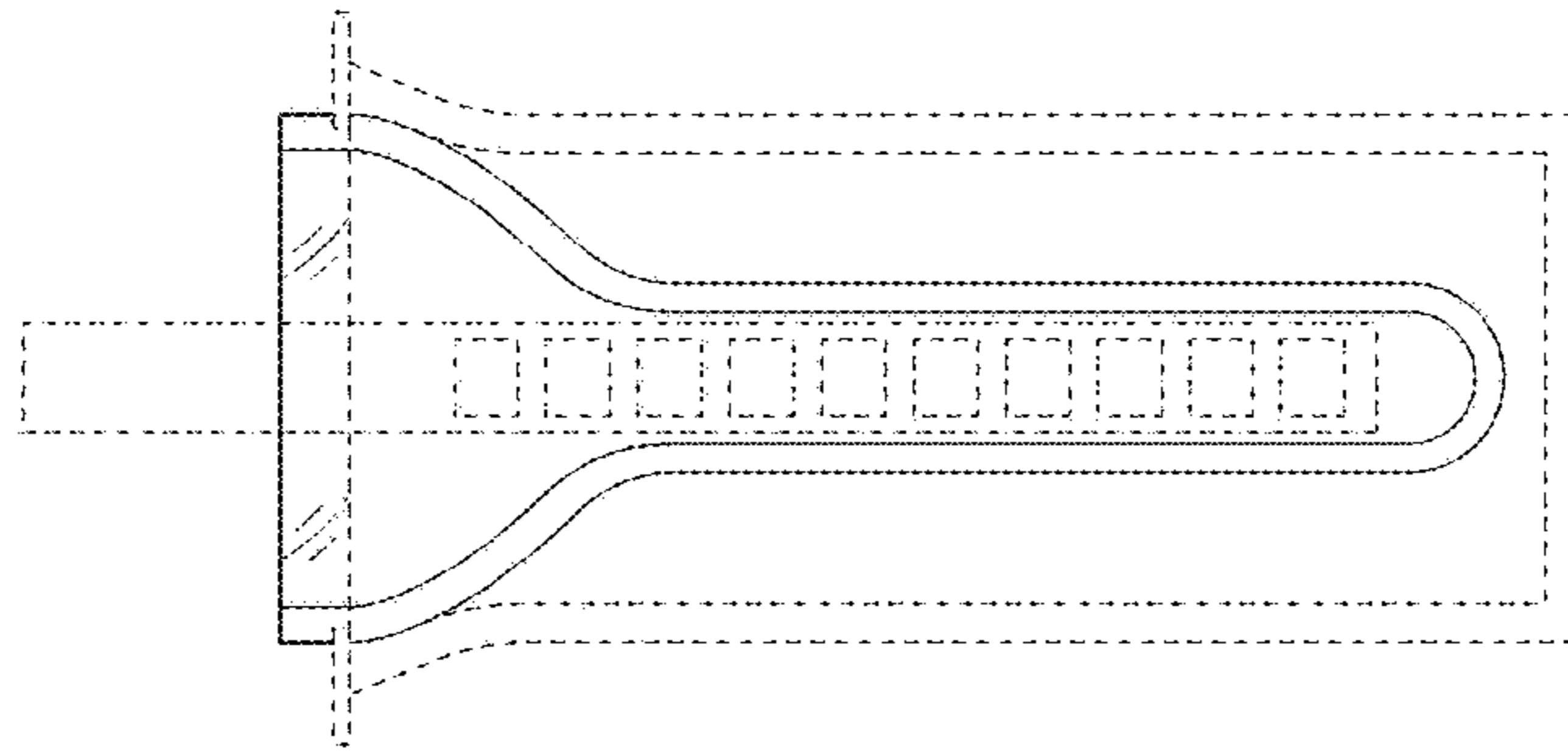


FIG. 14

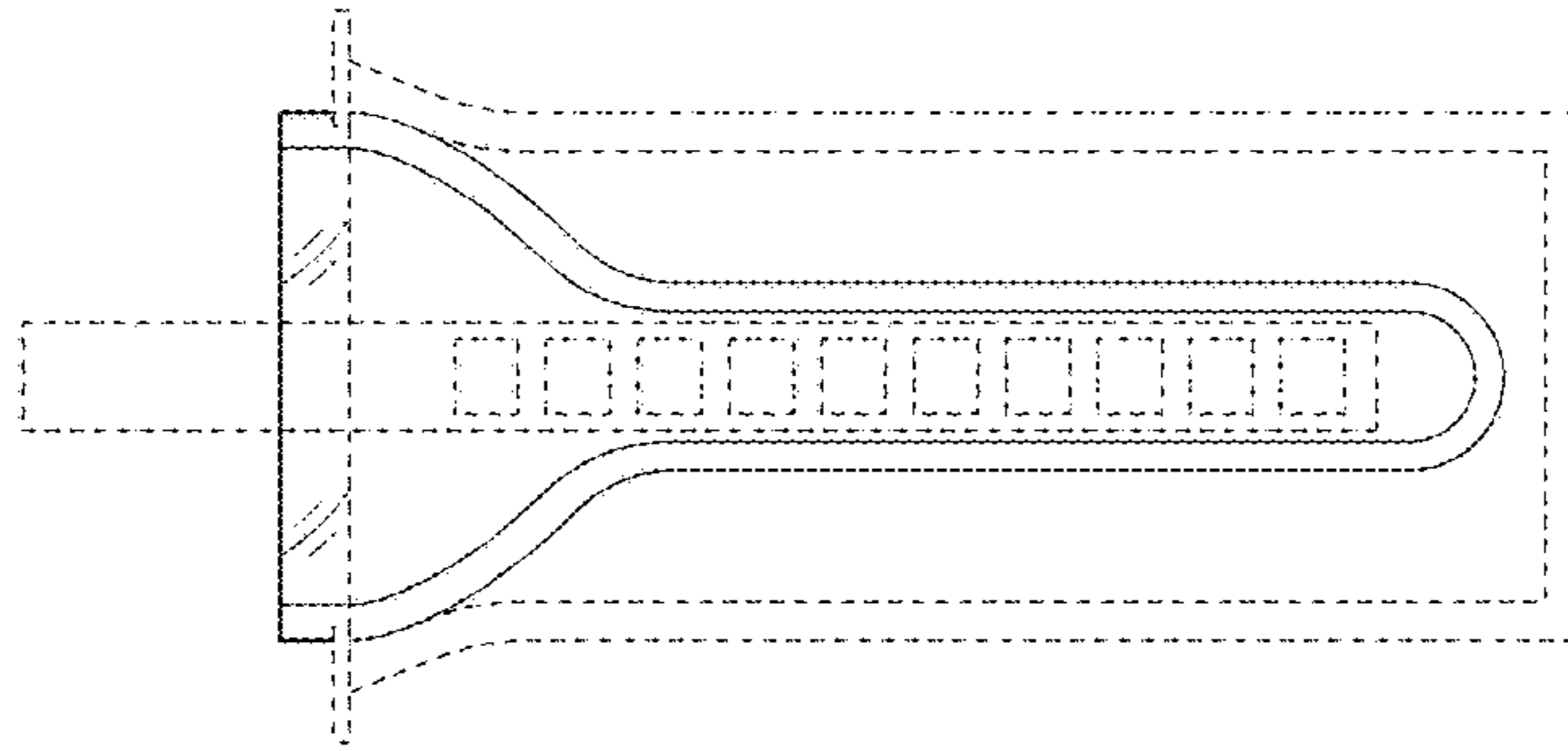


FIG. 15