



US00D867583S

(12) **United States Design Patent**  
**Yang et al.**

(10) **Patent No.:** **US D867,583 S**

(45) **Date of Patent:** **\*\* \*Nov. 19, 2019**

(54) **INJECTOR FOR MEDICINE**

(71) Applicant: **Samsung Bioepis Co., Ltd.**, Incheon (KR)

(72) Inventors: **Jee Eun Yang**, Incheon (KR); **Sang Bin Park**, Incheon (KR); **Jae Min Song**, Incheon (KR); **Yong Kook Kim**, Incheon (KR)

(73) Assignee: **Samsung Bioepis Co., Ltd.**, Incheon (KR)

(\*) Notice: This patent is subject to a terminal disclaimer.

(\*\*) Term: **15 Years**

(21) Appl. No.: **29/631,025**

(22) Filed: **Dec. 26, 2017**

(30) **Foreign Application Priority Data**

Jun. 26, 2017 (KR) ..... 30-2017-0029240

(51) **LOC (12) Cl.** ..... **24-02**

(52) **U.S. Cl.**  
USPC ..... **D24/114**

(58) **Field of Classification Search**

USPC ..... D24/112-114, 108, 133, 130, 127, 186; 606/181, 185; 604/264, 272, 187, 181, 604/184, 227

CPC ..... A61M 5/178; A61M 3/00; A61M 5/20; A61M 5/31; A61M 5/3146; A61M 5/3129; A61M 5/3148; A61M 5/315

See application file for complete search history.

(56) **References Cited**

**U.S. PATENT DOCUMENTS**

D419,671 S \* 1/2000 Jansen ..... D24/112  
D447,797 S \* 9/2001 Odell ..... D24/112

D578,210 S \* 10/2008 Muta ..... D24/114  
D667,950 S \* 9/2012 Hyun ..... D24/130  
D674,086 S \* 1/2013 Khalaj ..... D24/114  
D721,803 S \* 1/2015 Dubach ..... D24/114  
D729,931 S \* 5/2015 Takeuchi ..... D24/114  
D743,025 S \* 11/2015 Berler ..... D24/114  
D771,807 S \* 11/2016 Zalewski ..... D24/130  
D785,162 S \* 4/2017 Swisher ..... D24/114  
D792,579 S \* 7/2017 Ohashi ..... D24/114  
D804,651 S \* 12/2017 Loonan ..... D24/114  
D819,805 S \* 6/2018 Knight ..... D24/114

\* cited by examiner

*Primary Examiner* — David G Muller

(74) *Attorney, Agent, or Firm* — Novick, Kim & Lee, PLLC; Sang Ho Lee; Hyun Woo Shin

(57) **CLAIM**

We claim the ornamental design for an injector for medicine, as shown and described.

**DESCRIPTION**

The patent or application file contains at least one drawing executed in color. Copies of this patent or patent application publication with color drawing(s) will be provided by the Office upon request and payment of the necessary fee.

FIG. 1 is a perspective view of an injector for medicine, showing our new design;

FIG. 2 is a front elevational view thereof;

FIG. 3 is a rear elevational view thereof;

FIG. 4 is a left side elevational view thereof;

FIG. 5 is a right side elevational view thereof;

FIG. 6 is a top plan view thereof;

FIG. 7 is a bottom plan view thereof; and,

FIG. 8 is a close-up view of a front end of the injector as shown in FIG. 6.

Portions of the injector for medicine shown in yellow color do not form a part of the claimed design.

**1 Claim, 6 Drawing Sheets**  
**(6 of 6 Drawing Sheet(s) Filed in Color)**

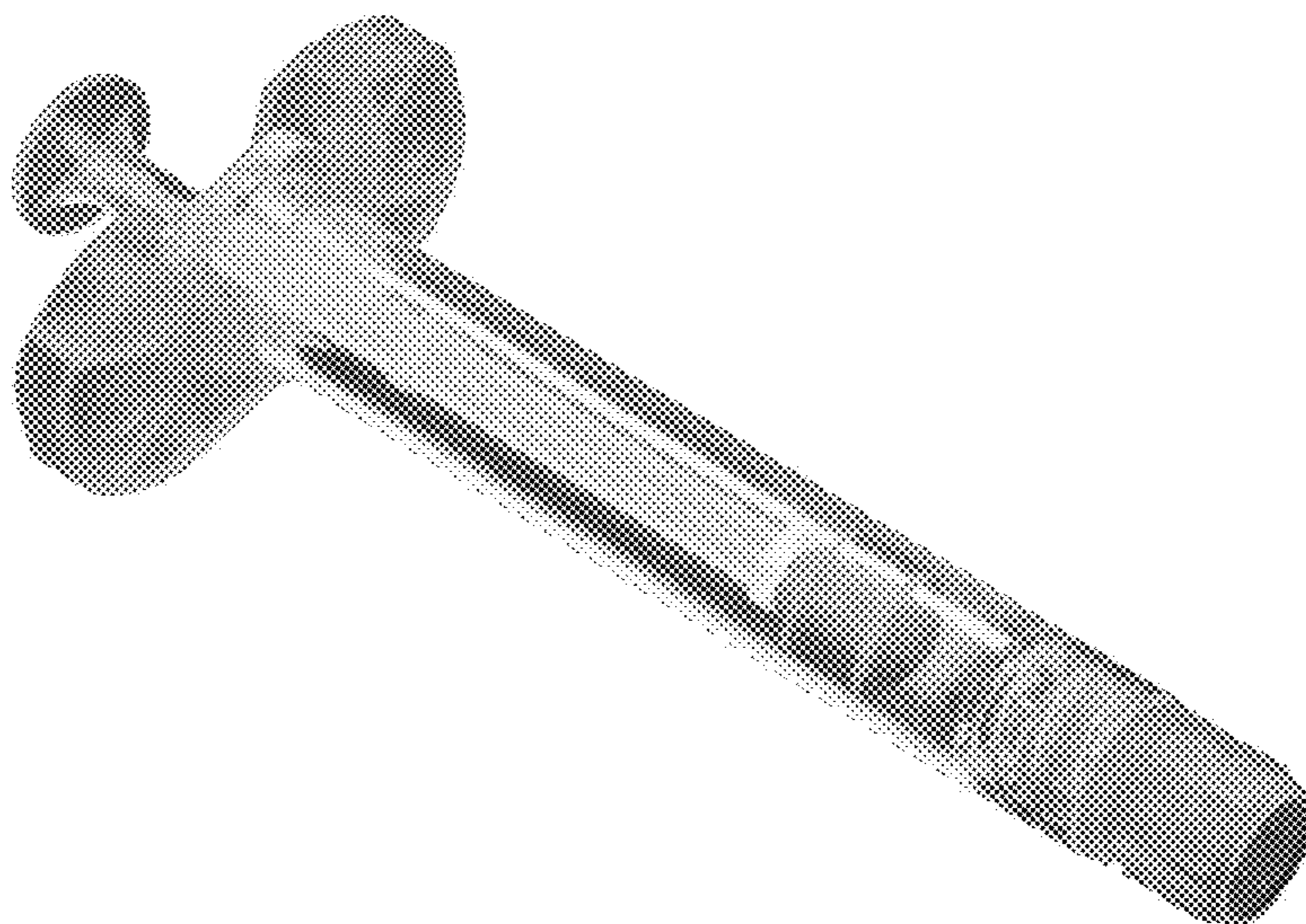




FIG. 1

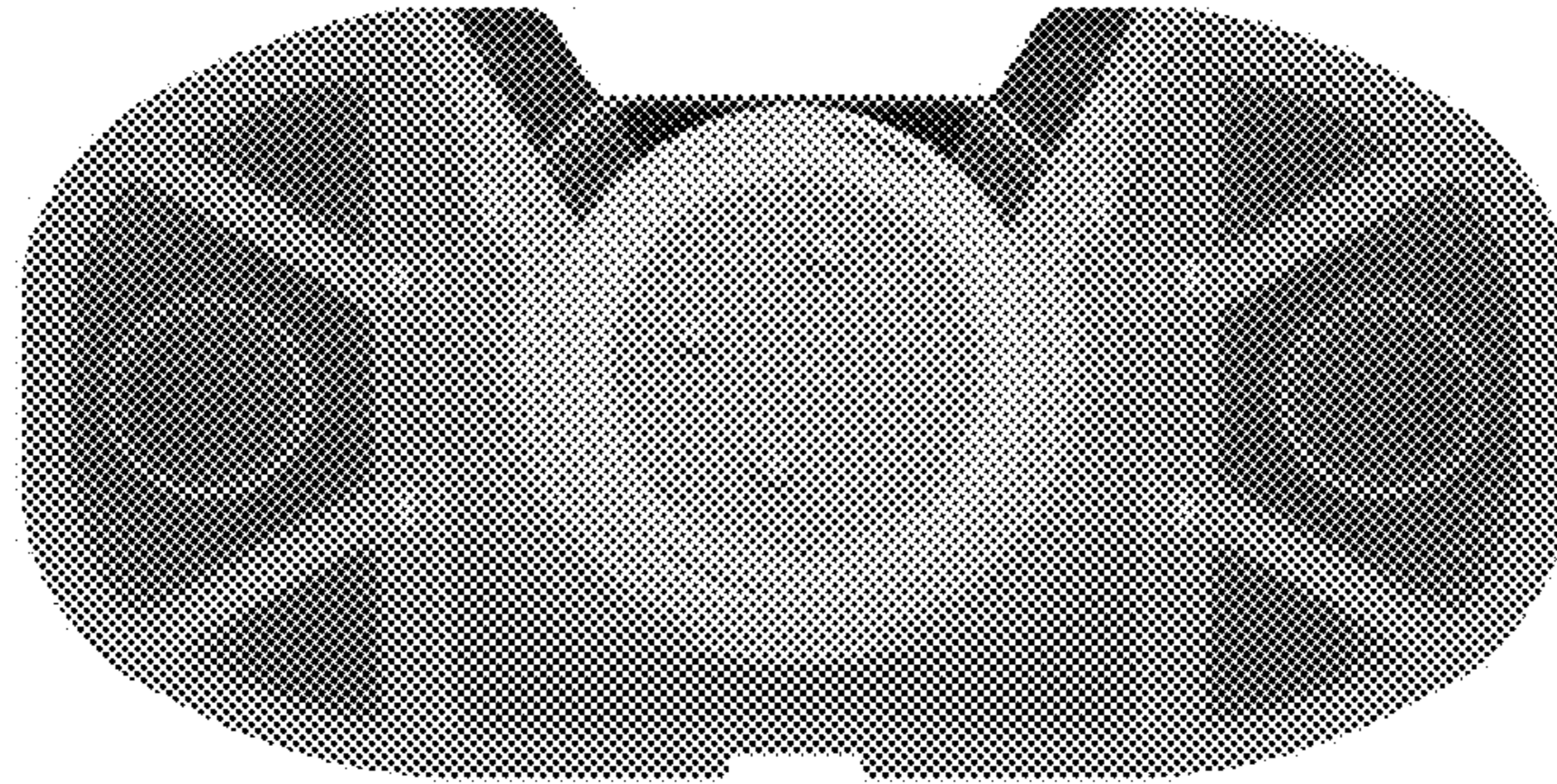


FIG. 2

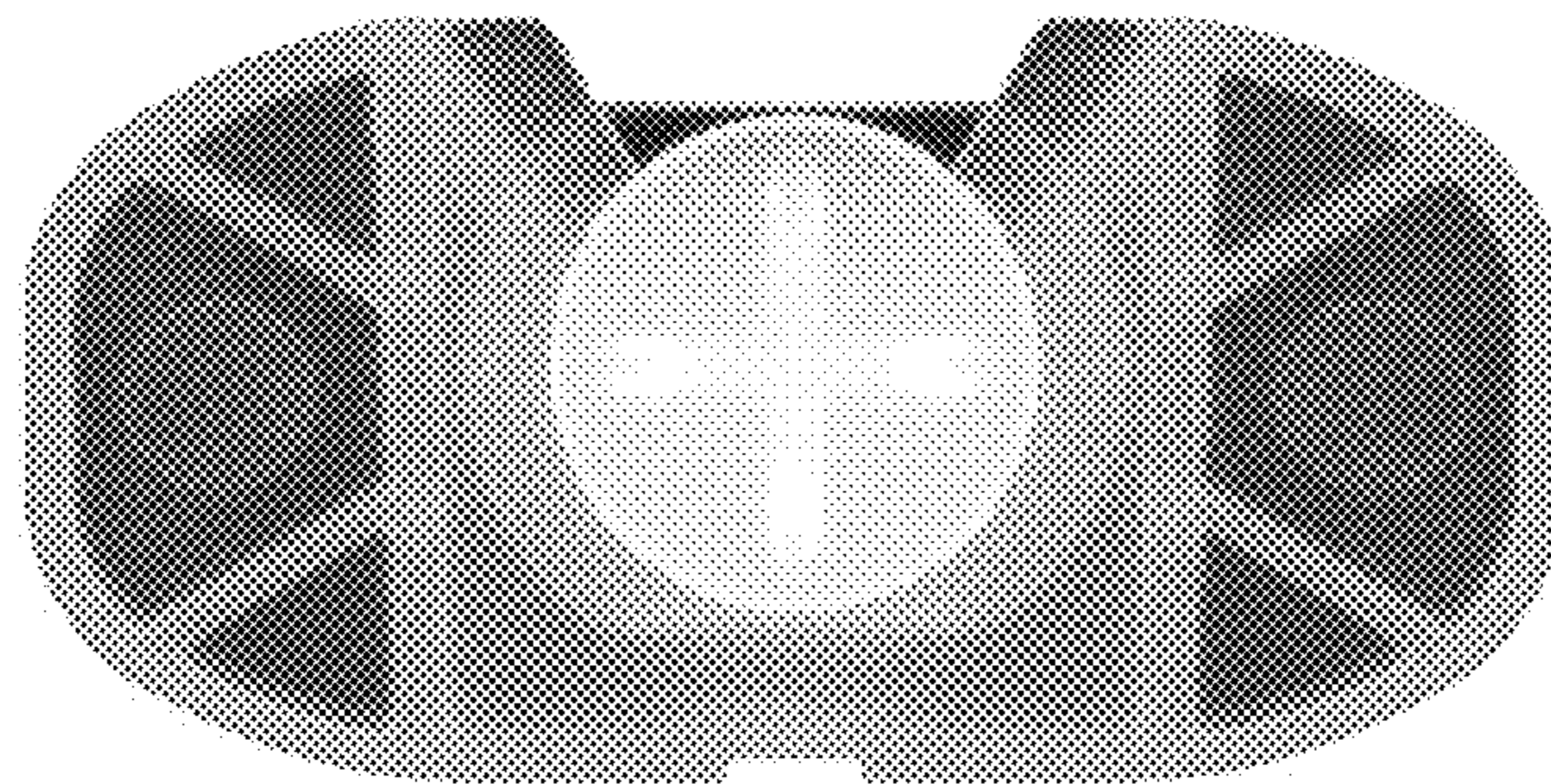


FIG. 3

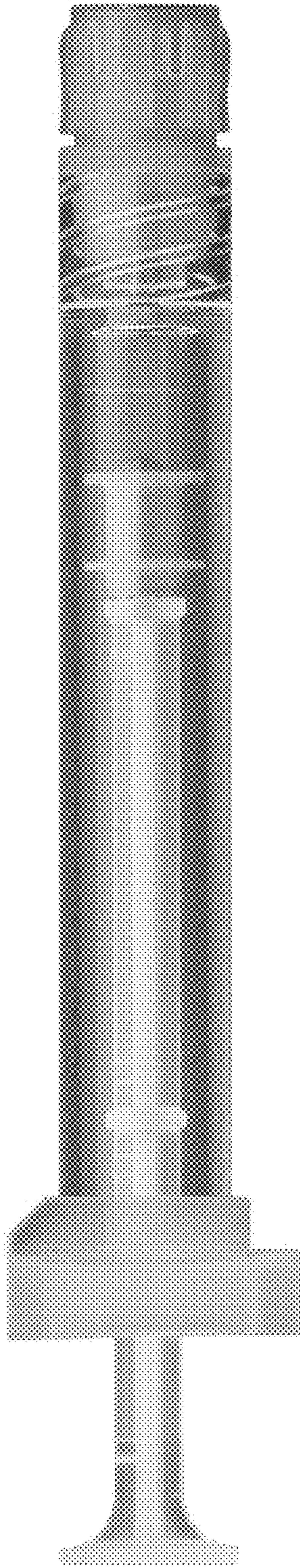


FIG. 4

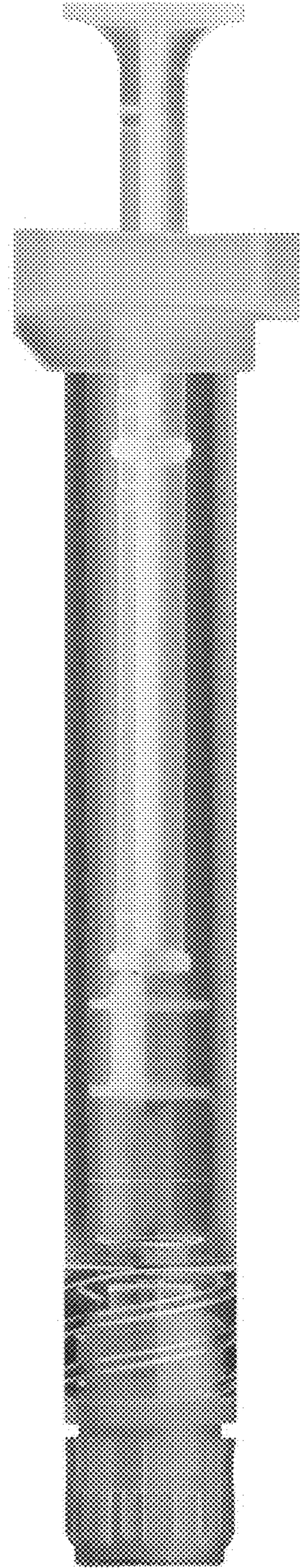


FIG. 5

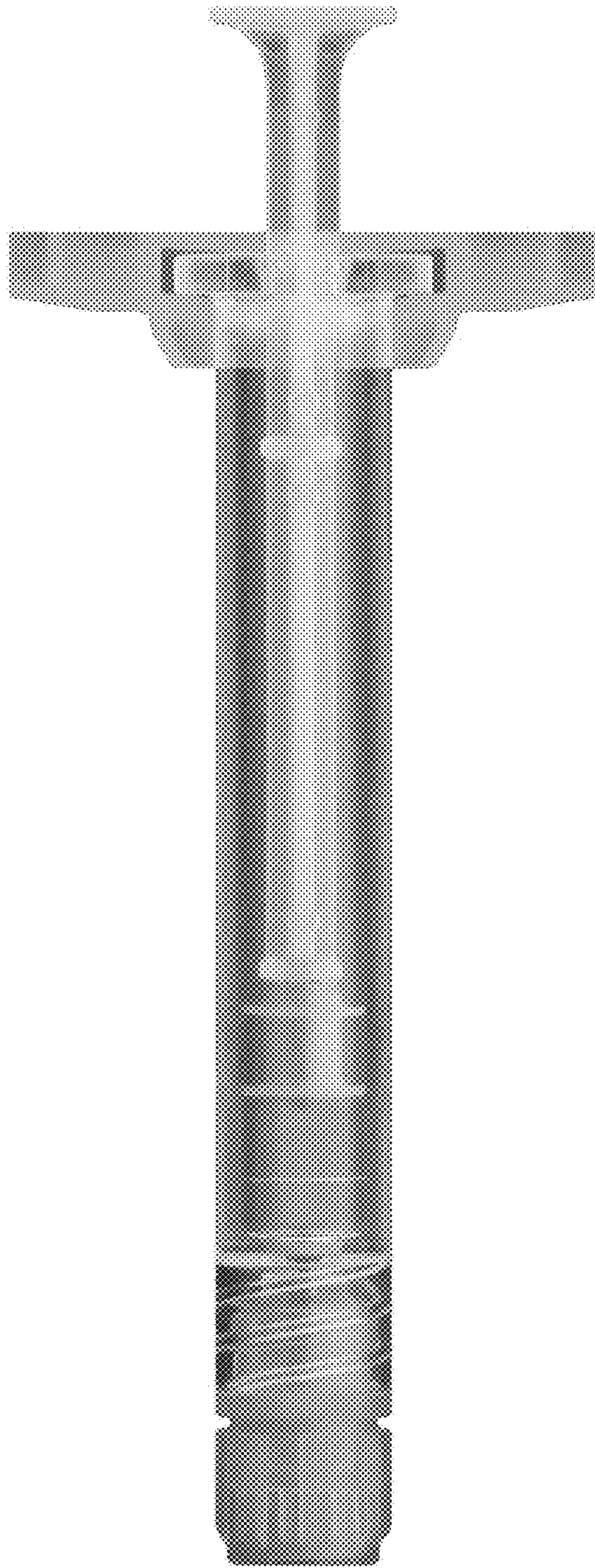


FIG. 6

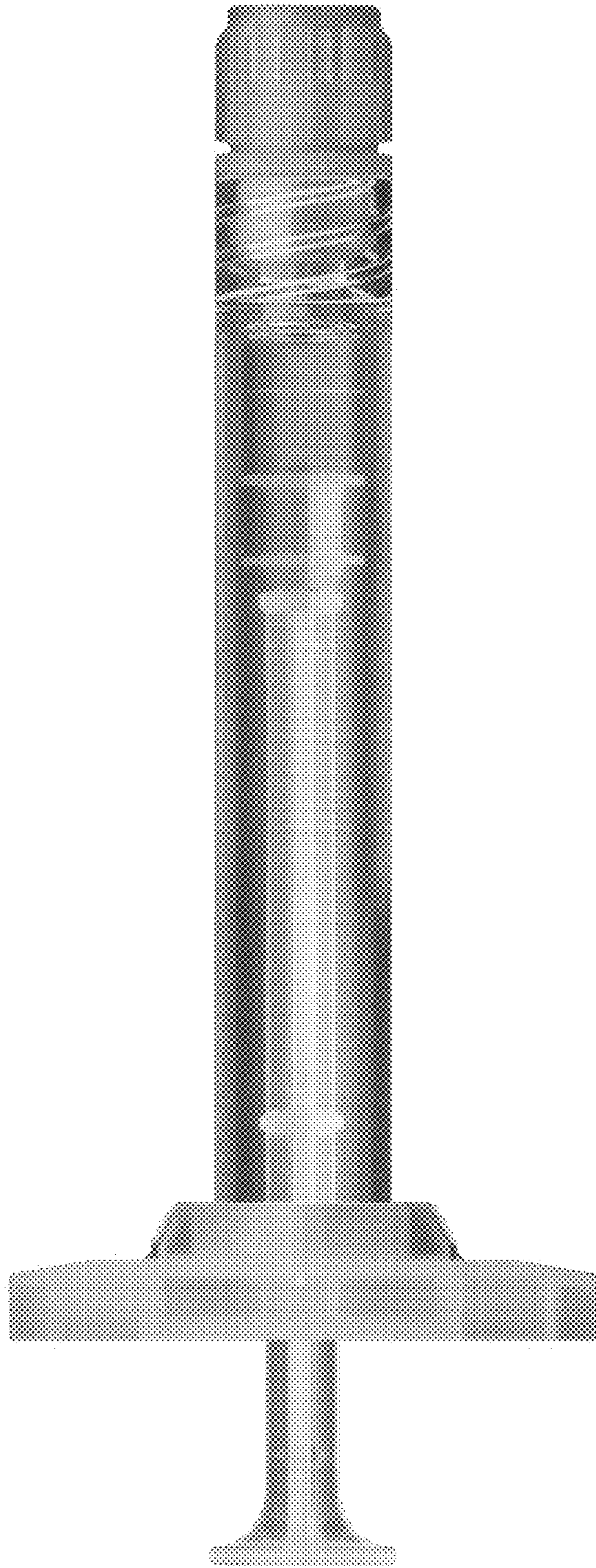


FIG. 7

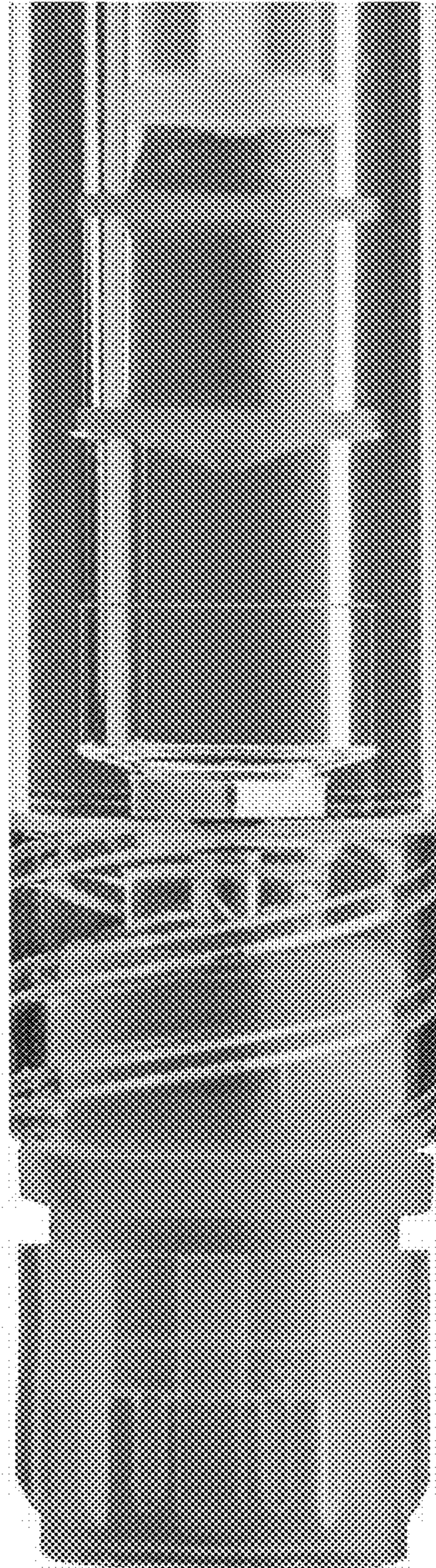


FIG. 8