



US00D867581S

(12) **United States Design Patent** (10) **Patent No.:** **US D867,581 S**  
**Schneider et al.** (45) **Date of Patent:** **\*\* Nov. 19, 2019**

(54) **POWDER DELIVERY DEVICE**

(71) Applicant: **Ethicon LLC**, Guaynabo, PR (US)

(72) Inventors: **Jared Schneider**, Raritan, NJ (US);  
**John Goodman**, Ann Arbor, MI (US);  
**Alex Kiturkes**, Mountain View, CA (US)

(73) Assignee: **Ethicon LLC**, Guaynabo, PR (US)

(\*\*) Term: **15 Years**

(21) Appl. No.: **29/613,509**

(22) Filed: **Aug. 10, 2017**

(51) **LOC (12) Cl.** ..... **24-02**

(52) **U.S. Cl.**  
USPC ..... **D24/112**

(58) **Field of Classification Search**  
USPC ..... D24/127–131, 112–115, 133, 186;  
606/181, 185; 604/264, 523–528, 272,  
604/187, 158, 164.01–164.11, 181, 184,  
604/227; 600/101, 139, 143;  
128/200.24, 207.14, 207.15  
CPC .. A61M 25/065; A61M 5/42; A61M 25/0612;  
A61M 25/00; A61M 39/00; A61M 27/00;  
A61M 25/0043; A61M 25/0067; A61M  
25/0097; A61F 2/958  
See application file for complete search history.

(56) **References Cited**

U.S. PATENT DOCUMENTS

2,717,598 A \* 9/1955 Krasno ..... A61M 5/282  
215/382

D243,122 S \* 1/1977 Dash ..... D24/115

D253,374 S \* 11/1979 Bonk ..... 604/216

D269,706 S \* 7/1983 Green ..... D24/115

D288,006 S \* 1/1987 Bergstrom ..... D24/115

D344,132 S \* 2/1994 Schneberger ..... D24/108

D370,388 S \* 6/1996 Cusick ..... D24/115

D398,838 S \* 9/1998 Nielsen ..... D24/115

D417,000 S \* 11/1999 Poynter ..... D24/115

D429,630 S \* 8/2000 Knight ..... D24/115

D441,072 S \* 4/2001 Zamikhovsky ..... D24/115

6,355,027 B1 \* 3/2002 Le ..... A61M 25/0054  
604/525

6,482,179 B1 \* 11/2002 Chu ..... A61B 17/0057  
604/164.09

D468,344 S \* 1/2003 Yan ..... D18/40

D468,824 S \* 1/2003 Zamikhovsky ..... D24/115

D601,244 S \* 9/2009 Ward, III ..... D24/115

D630,733 S \* 1/2011 Ahlgren ..... D24/130

9,205,240 B2 \* 12/2015 Greenhalgh ..... A61M 11/00

D748,777 S \* 2/2016 Uenishi ..... D24/130

D767,128 S \* 9/2016 DeBartola ..... D24/130

D775,330 S \* 12/2016 Blennow ..... D24/130

\* cited by examiner

*Primary Examiner* — David G Muller

(74) *Attorney, Agent, or Firm* — David R. Crichton

(57) **CLAIM**

The ornamental design for a powder delivery device, as shown and described.

**DESCRIPTION**

FIG. 1 is a perspective view of the powder delivery device, showing our new design;

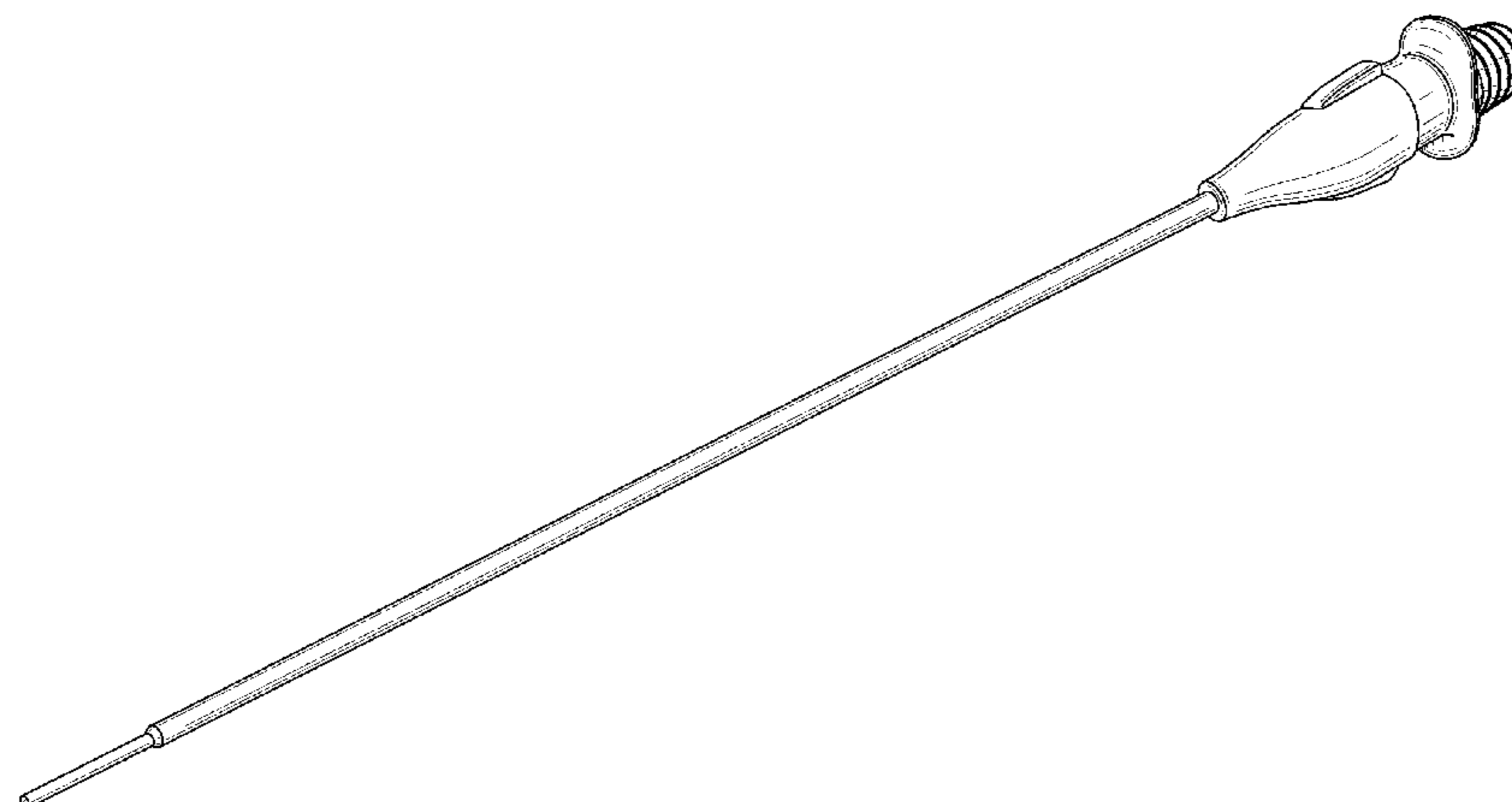
FIG. 2 is a top view of the powder delivery device shown in FIG. 1;

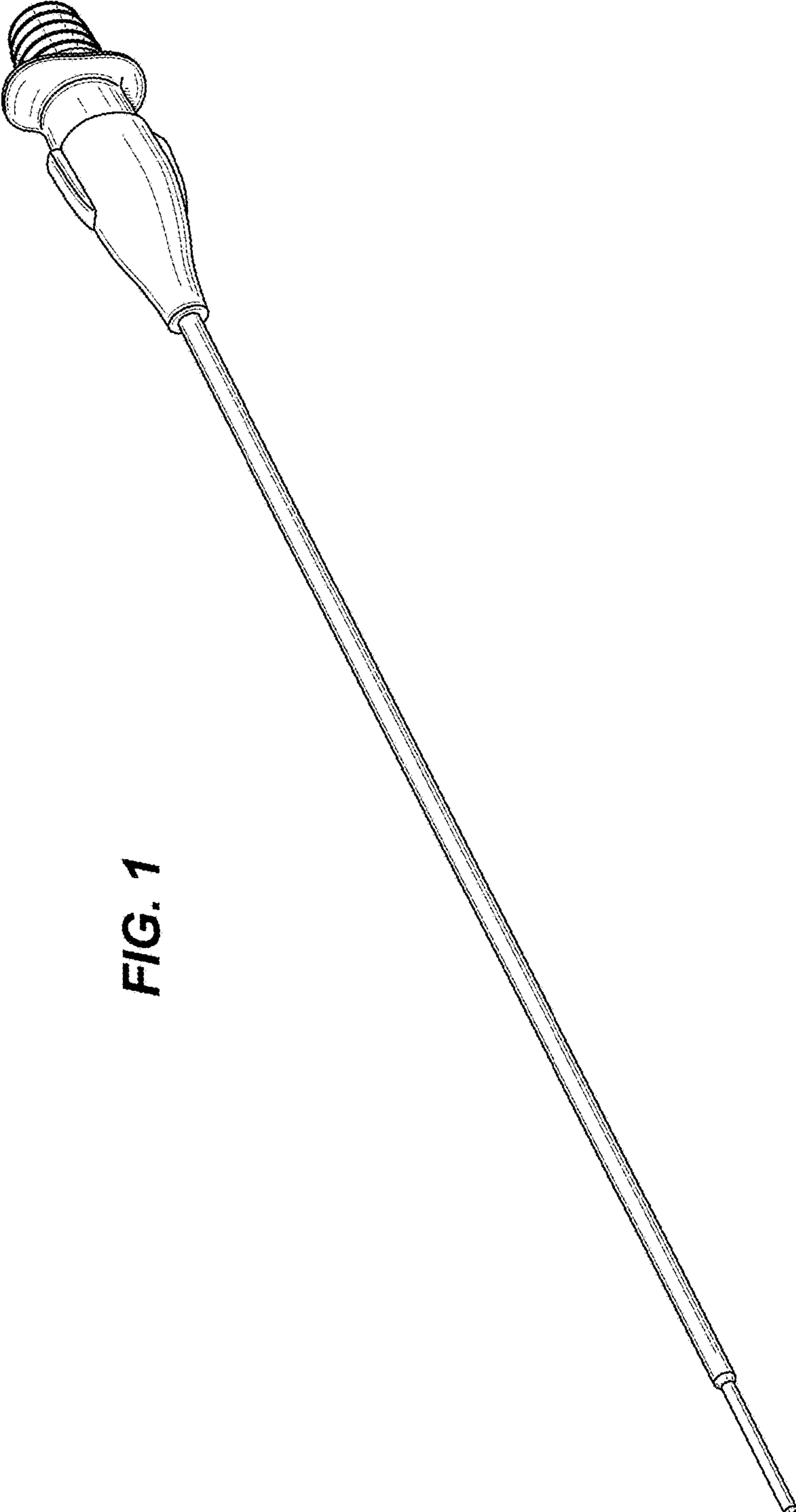
FIG. 3 is a side elevation view of the powder delivery device shown in FIG. 1;

FIG. 4 is a bottom view of the powder delivery device shown in FIG. 1; and,

FIG. 5 is a rear view of the powder delivery device shown in FIG. 1.

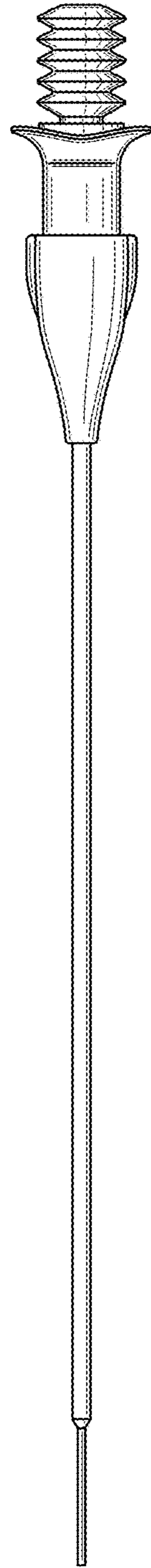
**1 Claim, 3 Drawing Sheets**



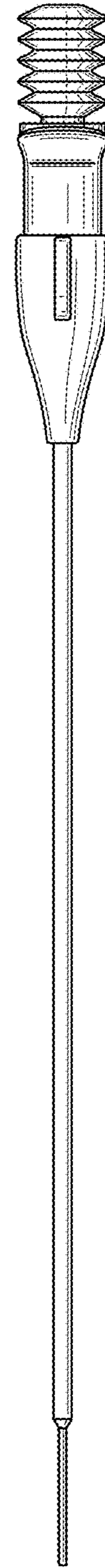


**FIG. 1**

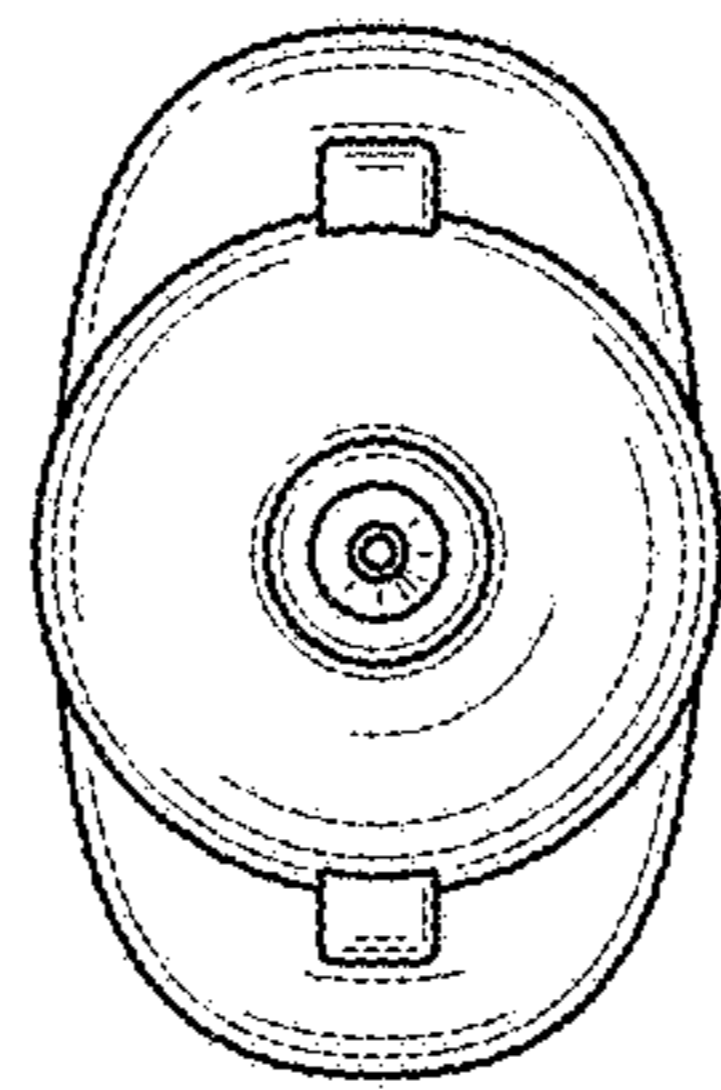
**FIG. 2**



**FIG. 3**



**FIG. 4**



**FIG. 5**

