

US00D867578S

(12) **United States Design Patent** (10) **Patent No.:** **US D867,578 S**
Blasdell et al. (45) **Date of Patent:** **** Nov. 19, 2019**

(54) **INHALATION APPARATUS** 5,109,839 A * 5/1992 Blasdell A61M 16/06
128/203.12
(71) Applicant: **ACCUTRON, INC.**, Phoenix, AZ (US) 5,267,557 A 12/1993 Her-Mou
5,311,862 A 5/1994 Blasdell et al.
(72) Inventors: **Jonathan W. Blasdell**, Phoenix, AZ D353,198 S 12/1994 Blasdell et al.
(US); **Richard J. Blasdell**, Phoenix, AZ 5,400,781 A 3/1995 Davenport
(US) (Continued)

(73) Assignee: **Accutron, Inc.**, Phoenix, AZ (US)
(**) Term: **15 Years**
(21) Appl. No.: **29/608,676**

FOREIGN PATENT DOCUMENTS
EM 003328681-0001 9/2017
EM 003328681-0002 9/2017
(Continued)

(22) Filed: **Jun. 23, 2017**
(51) **LOC (12) Cl.** **29-02**
(52) **U.S. Cl.**
USPC **D24/110.4**
(58) **Field of Classification Search**
USPC D24/110-110.6, 127, 129; D29/110
CPC A61M 16/0616; A61M 16/0633; A61M
16/06; A61M 16/0666; A61M 16/0683;
A61M 16/0605; A61M 16/0622; A61M
16/0644; A61M 16/0875; A61M 16/0816;
A61M 16/08; B63C 11/205; B63C 11/16;
B63C 11/186; B63C 11/12
See application file for complete search history.

OTHER PUBLICATIONS
Axess, posted at crosstex.com, [online], acquired on Feb 4, 2019.
Available from Internet, <URL: http://www.crosstex.com/sites/default/
files/public/axess-brochure.pdf> (Year: 2019).
(Continued)

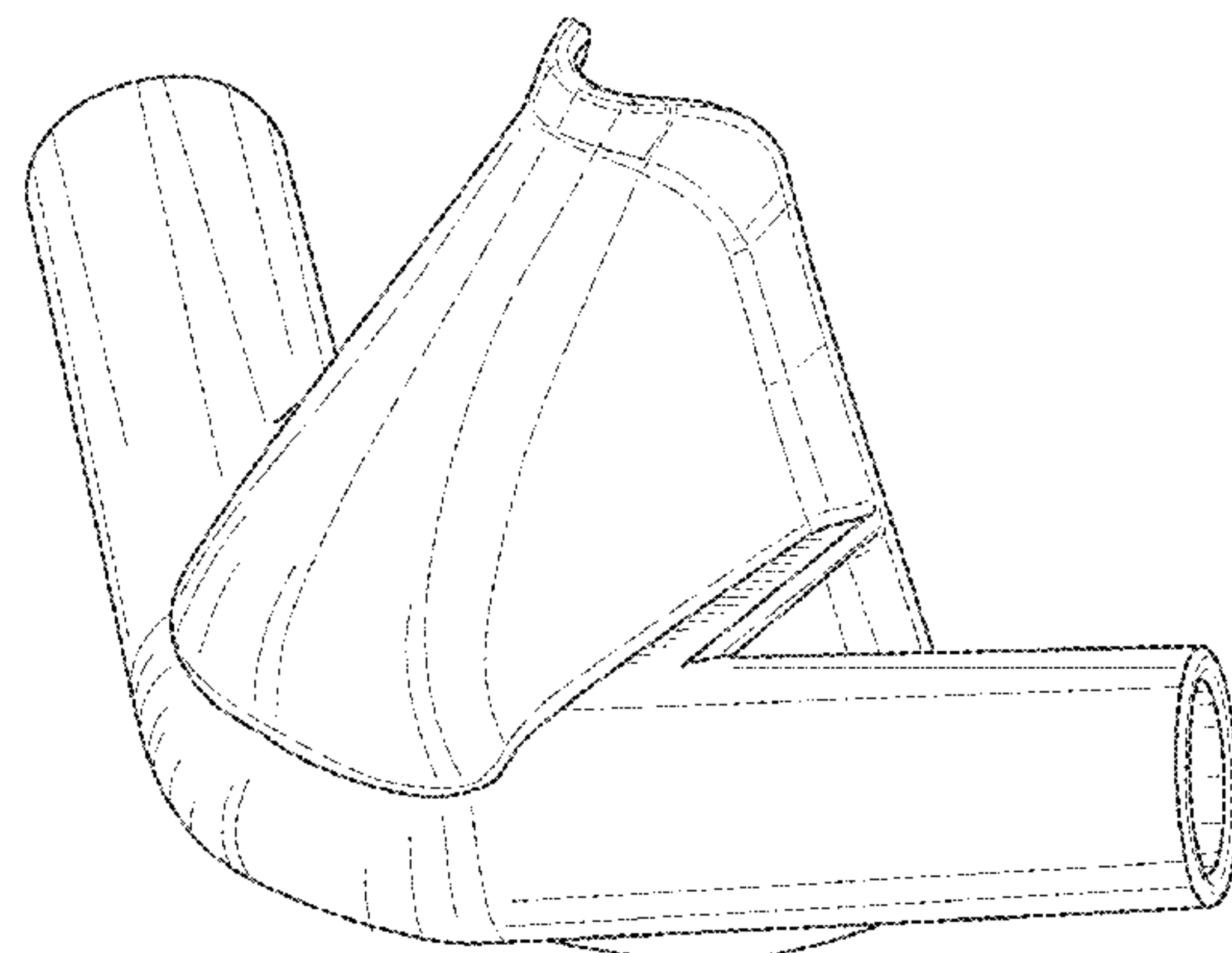
(56) **References Cited**
U.S. PATENT DOCUMENTS
1,206,045 A 11/1916 Smith
1,740,083 A 12/1929 Galvin
2,663,297 A 12/1953 Turnburg
3,393,677 A 7/1968 Echard
3,889,671 A 6/1975 Baker
4,176,666 A 12/1979 Hovey
4,219,020 A 8/1980 Czajka
4,248,218 A 2/1981 Fischer
4,846,170 A 7/1989 McAnalley
4,944,310 A 7/1990 Sullivan
5,018,519 A * 5/1991 Brown A61M 16/06
128/203.29
D321,570 S * 11/1991 Blasdell D24/110.4

Primary Examiner — Lilyana Bekic
Assistant Examiner — Aula Soroush
(74) *Attorney, Agent, or Firm* — Sorell, Lenna &
Schmidt, LLP; William D. Schmidt, Esq.

(57) **CLAIM**
The ornamental design for an inhalation apparatus, as shown
and described.

DESCRIPTION
FIG. 1 is a perspective view of an inhalation apparatus;
FIG. 2 is a front view of the inhalation apparatus;
FIG. 3 is a back view of the inhalation apparatus;
FIG. 4 is a top view of the inhalation apparatus;
FIG. 5 is a bottom view of an inhalation apparatus;
FIG. 6 is a left view of the inhalation apparatus; and,
FIG. 7 is a right view of the inhalation apparatus.

1 Claim, 7 Drawing Sheets



(56)

References Cited

U.S. PATENT DOCUMENTS

5,419,317 A 5/1995 Blasdel
 D365,632 S 12/1995 Blasdel
 5,676,133 A 10/1997 Hickle et al.
 D390,653 S 2/1998 Blasdel
 D398,987 S * 9/1998 Cotner D24/110.4
 5,857,460 A 1/1999 Poplitz
 6,019,101 A * 2/2000 Cotner A61M 16/06
 128/206.18
 6,044,844 A * 4/2000 Kwok A61M 16/06
 128/207.11
 6,135,109 A * 10/2000 Blasdel A61M 16/06
 128/206.21
 6,263,874 B1 7/2001 Ledez
 6,736,140 B1 * 5/2004 Baczkowski A61M 16/009
 128/205.27
 7,500,482 B2 3/2009 Biederman
 8,001,968 B2 8/2011 Doty et al.
 8,893,720 B2 11/2014 Cohen
 D777,905 S 1/2017 Wolf et al.
 9,656,037 B2 5/2017 Guyette
 2003/0145859 A1 8/2003 Bohn
 2012/0138058 A1 6/2012 Fu et al.

2012/0285457 A1 11/2012 Mansour et al.
 2017/0259018 A1 * 9/2017 Blasdel A61M 16/208
 2017/0361057 A1 * 12/2017 Blasdel A61M 16/06

FOREIGN PATENT DOCUMENTS

EM 003328681-0003 9/2017
 EM 003328681-0004 9/2017

OTHER PUBLICATIONS

ClearView™ Classic Masks,[online], earliest posted date on Sep. 1, 2016; acquired on Feb. 4, 2019. Available from Internet, <URL: <http://www.accutron-inc.com/product/clearviewtm-classic-masks/>> (Year: 2016).*

International Search Report and Written Opinion of the International Searching Authority (ISA/US) dated Jun. 1, 2017 of International Application No. PCT/US2017/021846 filed Oct. 3, 2017.

International Search Report and Written Opinion of the International Searching Authority (ISA/US) dated Aug. 11, 2017 of International Application No. PCT/US2017/036987 filed Jun. 12, 2017.

Online Press Release from Crosstex / Accutron website entitled "Crosstex Launches Axxess Mask Sedation System," dated Mar. 1, 2017. <http://www.crosstex.com/resourcespdf/CTX5601-AxxessPressRelease%20030117.pdf> (1 page).

* cited by examiner

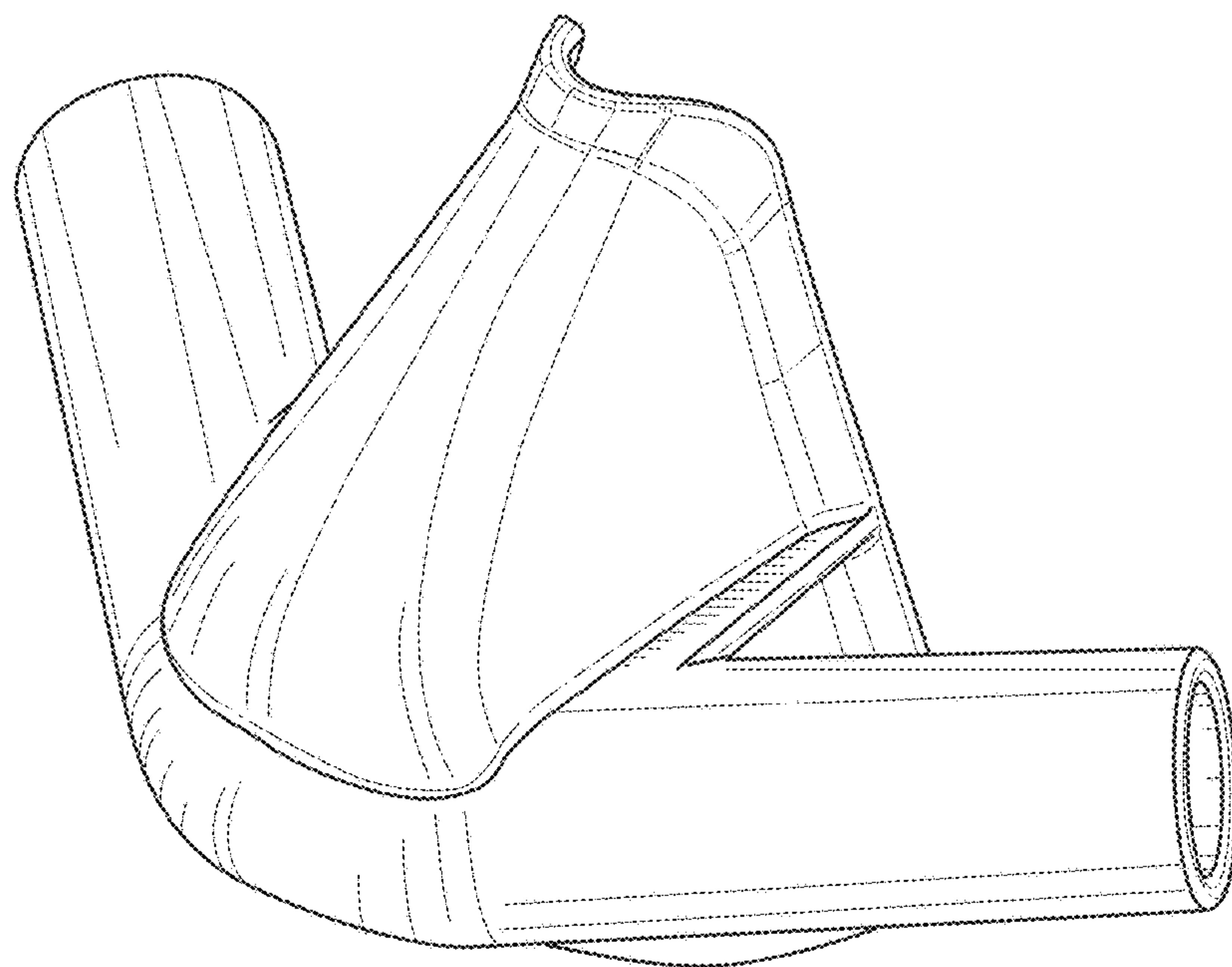


FIG. 1

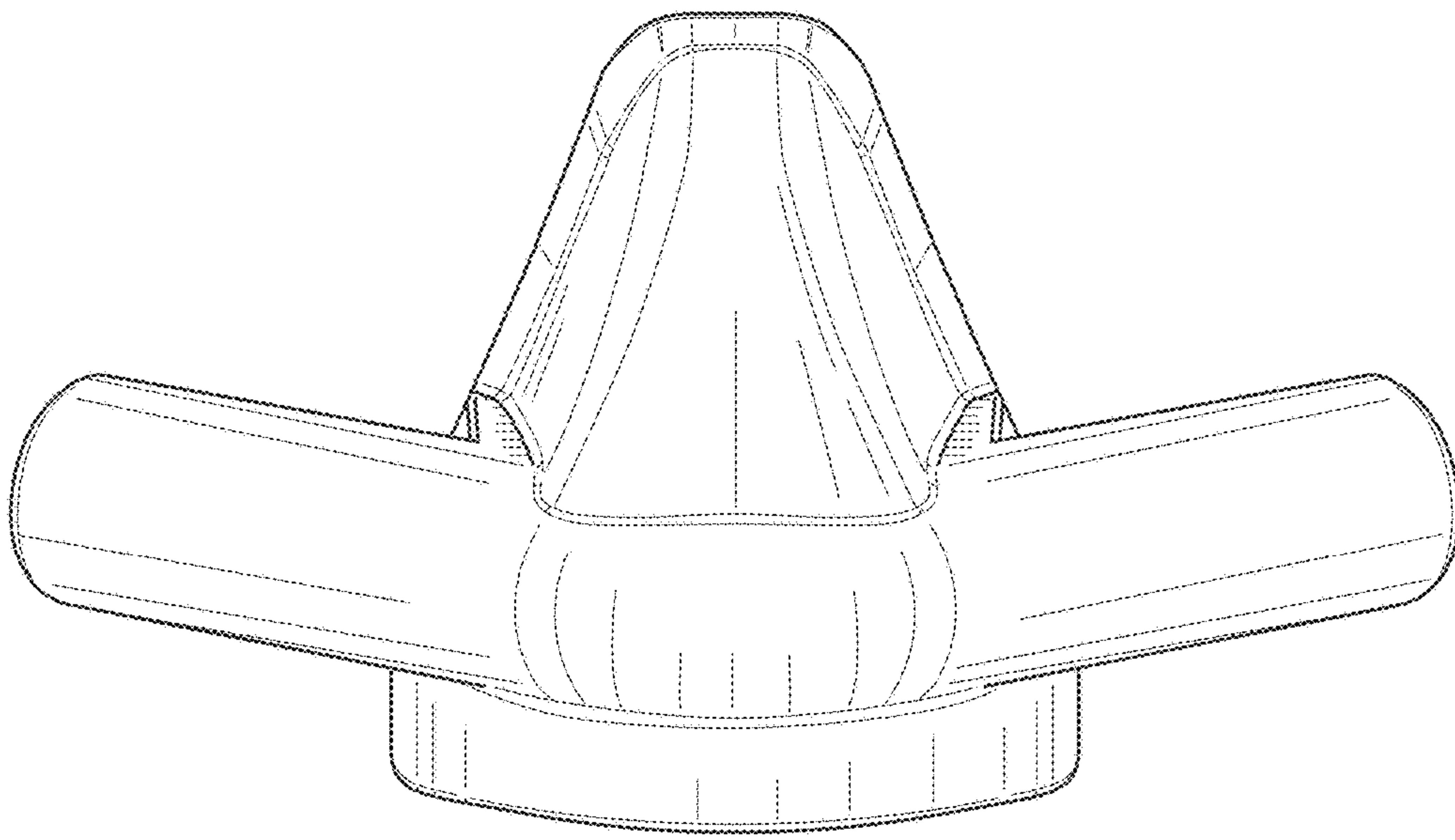


FIG. 2

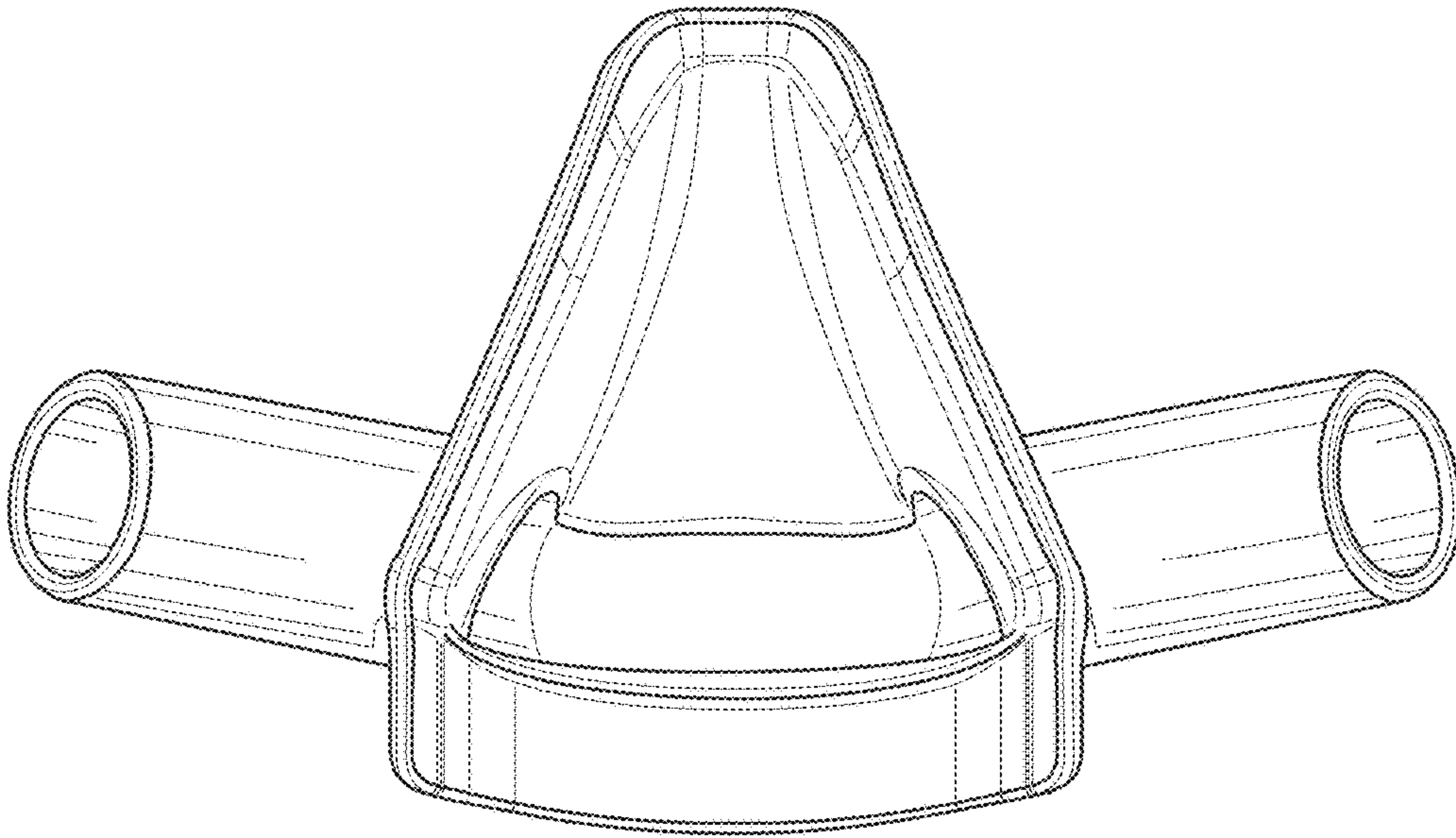


FIG. 3

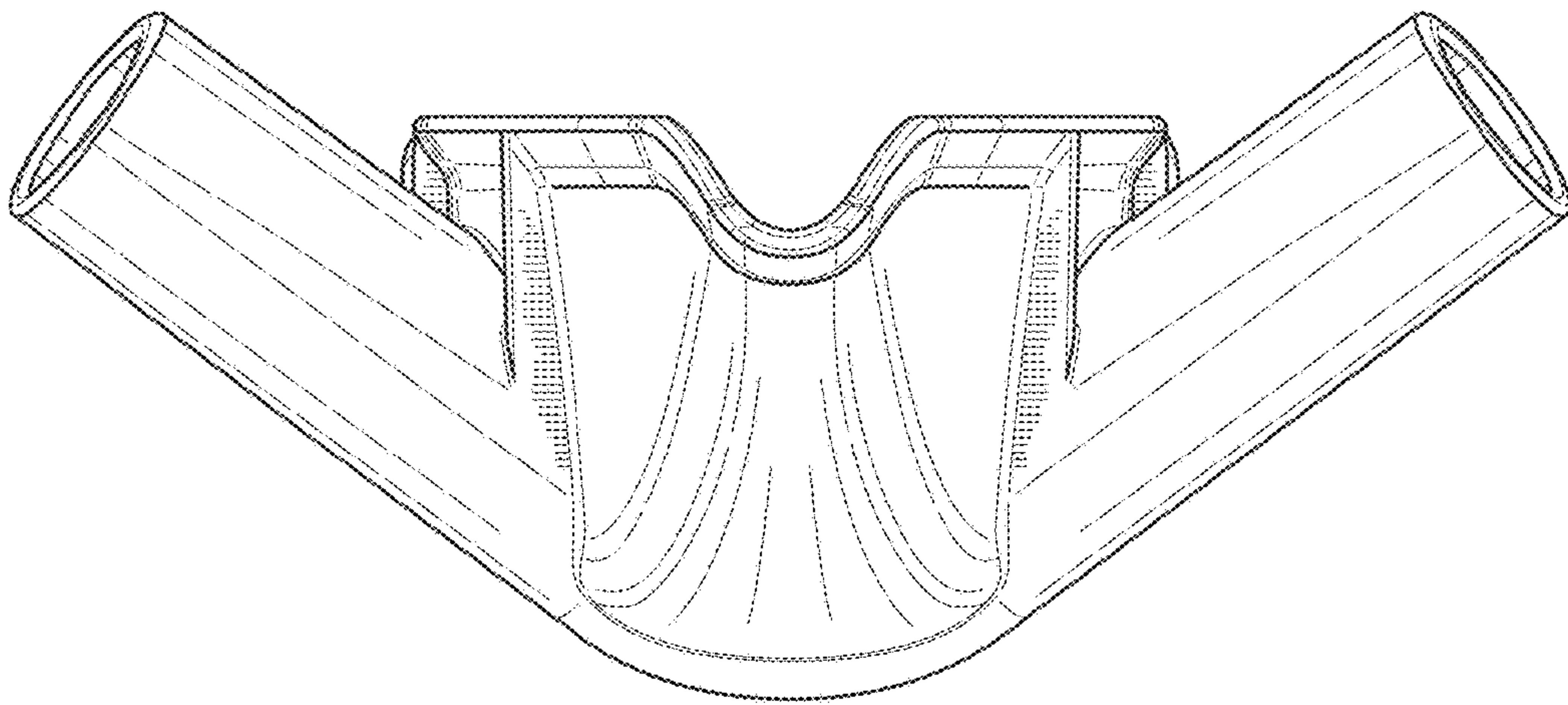


FIG. 4

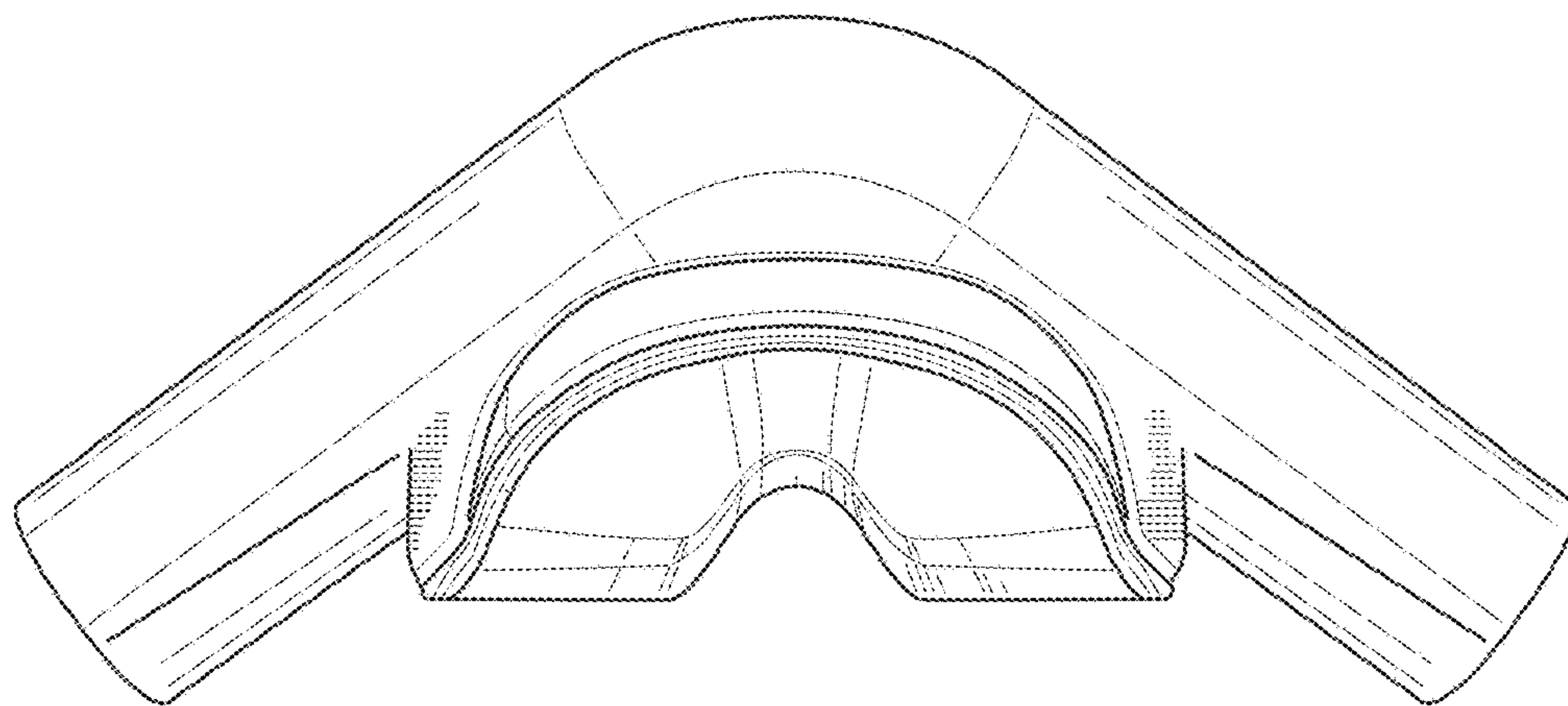


FIG. 5

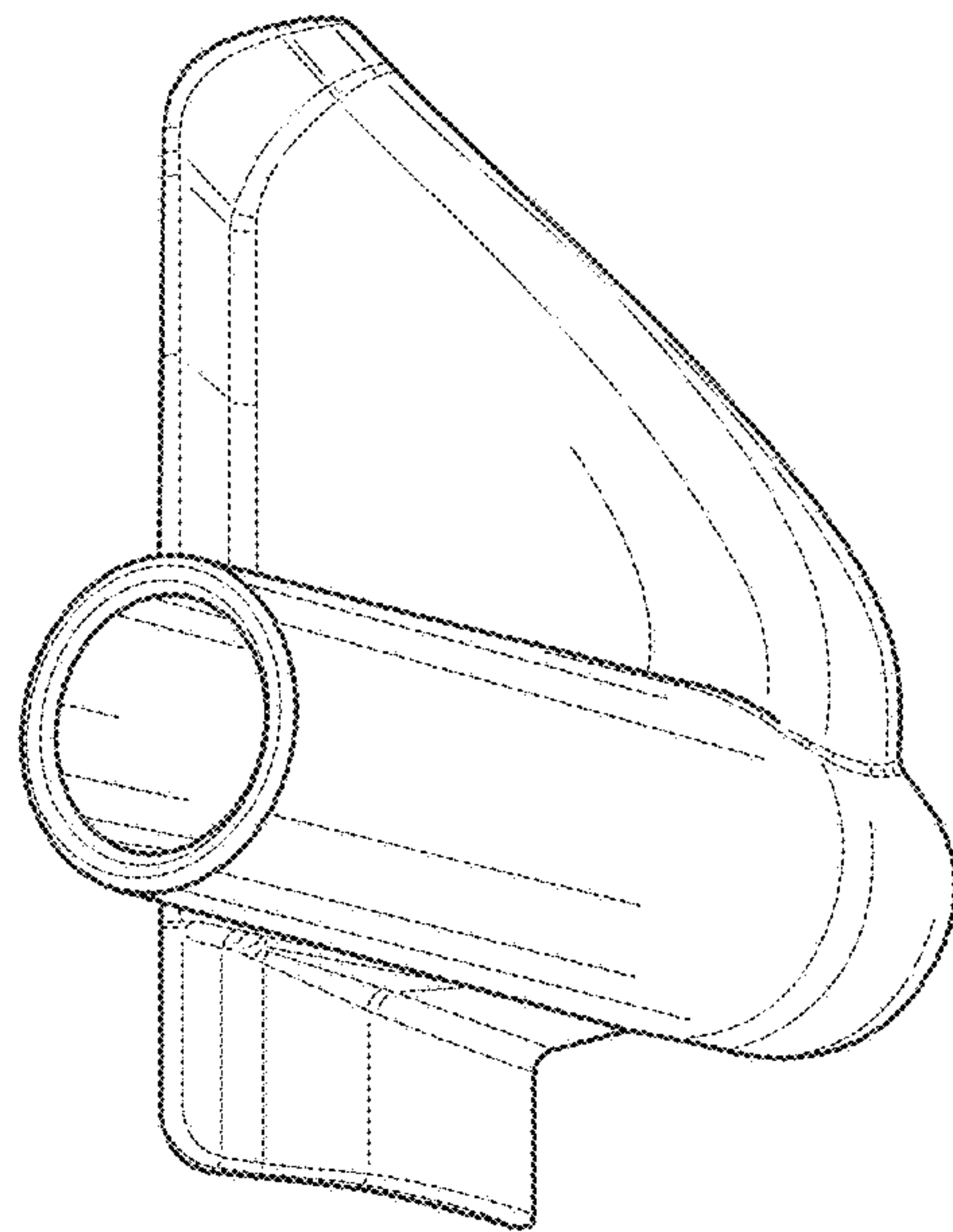


FIG. 6

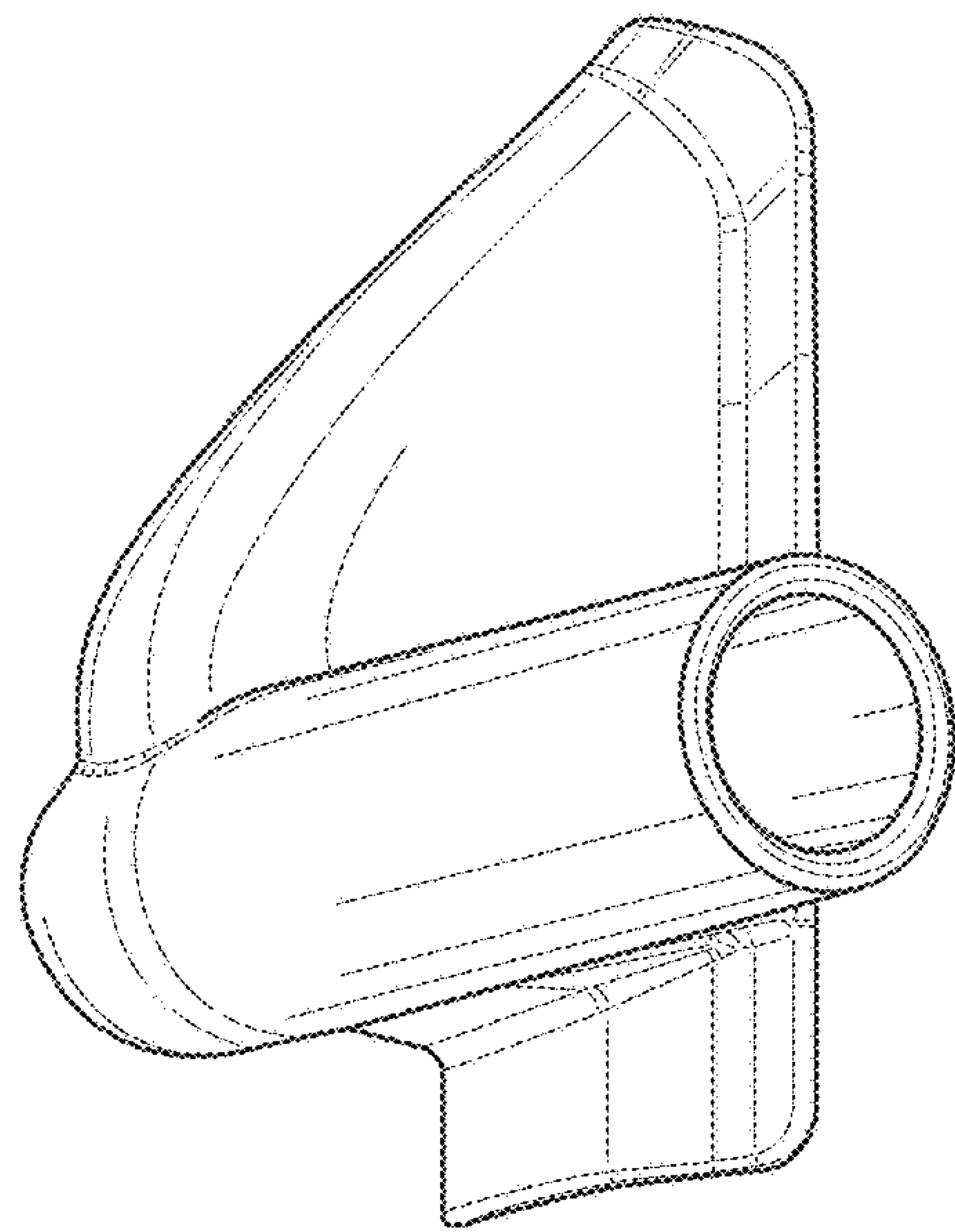


FIG. 7