



US00D867576S

(12) **United States Design Patent** (10) **Patent No.:** **US D867,576 S**
Hewitt (45) **Date of Patent:** **** Nov. 19, 2019**

(54) **CAP FOR MEDICAL BREATHING APPARATUSES**

(71) Applicant: **Christina Hewitt**, Columbus, OH (US)

(72) Inventor: **Christina Hewitt**, Columbus, OH (US)

(**) Term: **15 Years**

(21) Appl. No.: **29/605,240**

(22) Filed: **May 24, 2017**

(51) **LOC (12) Cl.** **29-02**

(52) **U.S. Cl.**
USPC **D24/110**

(58) **Field of Classification Search**
USPC D24/110, 110.1, 110.2, 110.3, 110.4, D24/110.5, 110.6, 121, 224; D9/435; 215/277, 318, 317, 339; 128/206.15, 128/206.17, 205.25, 206.12, 201.22, 128/204.23; D8/402, 386, 312, 307; 137/625.47
CPC . A61M 2202/0208; A61M 16/06; A62B 9/02; A62B 7/10; B63C 11/2227
See application file for complete search history.

(56) **References Cited**

U.S. PATENT DOCUMENTS

- 4,116,353 A * 9/1978 Schwabacher B65D 45/32
215/274
- 4,147,176 A * 4/1979 Christianson B63C 11/2227
128/204.26
- D268,806 S * 5/1983 Love D8/37
- D278,033 S * 3/1985 Borkan D9/437
- D297,366 S * 8/1988 Hsei D24/226
- 4,962,582 A * 10/1990 Puls F16L 33/213
29/469.5
- D416,630 S * 11/1999 Schimmelpfennig D25/135
- D614,777 S * 4/2010 Villanueva D24/216
- D617,894 S * 6/2010 Wright A61B 90/40
D24/121

- D629,478 S * 12/2010 Appleton D21/753
- D651,709 S * 1/2012 Zeyfang D24/127
- D678,516 S * 3/2013 Wong D24/121
- 8,470,268 B2 * 6/2013 Wong A61B 10/0051
206/569
- D690,412 S * 9/2013 Spink D24/110
- D700,628 S * 3/2014 Chu D15/9
- D716,636 S * 11/2014 McDonald D8/354
- D716,637 S * 11/2014 McDonald D8/354
- D716,638 S * 11/2014 McDonald D8/354
- D738,935 S * 9/2015 Chu D15/9
- D742,509 S * 11/2015 Anderson D24/129
- D756,200 S * 5/2016 McDonald D8/354
- D840,524 S * 2/2019 Bryant D23/322
- 2003/0026508 A1 * 2/2003 Smith B65D 41/0421
383/80
- 2003/0127420 A1 * 7/2003 Schumacher B65D 41/28
215/302
- 2008/0236671 A1 * 10/2008 Claude F16K 15/00
137/15.18

(Continued)

Primary Examiner — David G Muller
Assistant Examiner — Nathan M Johnston
(74) *Attorney, Agent, or Firm* — Standley Law Group
LLP; Beverly A. Marsh; Adam J. Smith

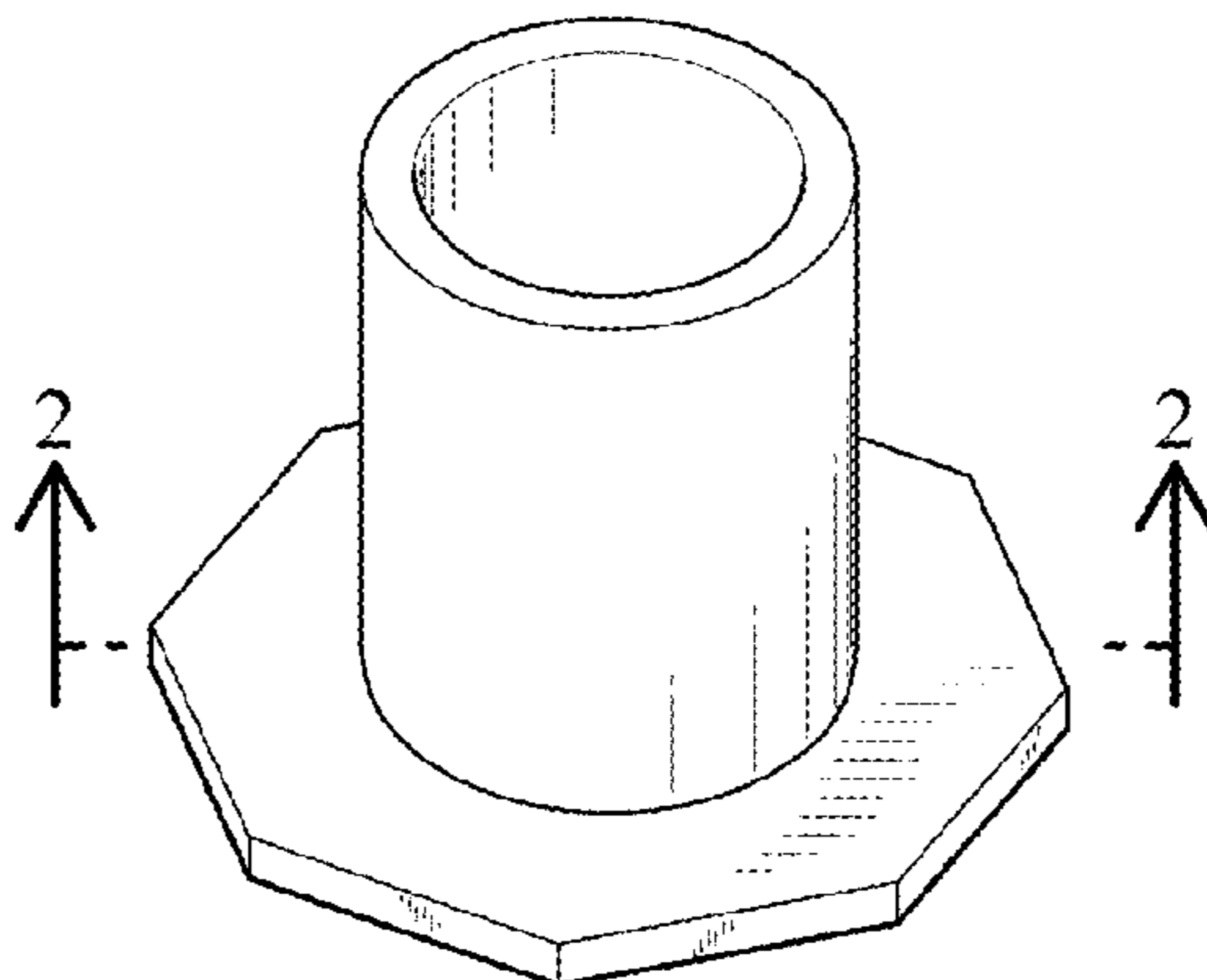
(57) **CLAIM**

The ornamental design for a cap for medical breathing apparatuses, as shown.

DESCRIPTION

FIG. 1 is a top perspective view of the cap for medical breathing apparatuses showing my new design; FIG. 2 is a front section view taken along section line 2-2 of the FIG. 1 device; FIG. 3 is a bottom plan view of the FIG. 1 device; FIG. 4 is a top plan view of the FIG. 1 device; and, FIG. 5 is a front elevation view of the FIG. 1 device, the left side, right side, and rear elevation views being identical thereto.

1 Claim, 1 Drawing Sheet



(56)

References Cited

U.S. PATENT DOCUMENTS

2011/0259457 A1* 10/2011 Lin F16K 3/085
137/625.46

* cited by examiner

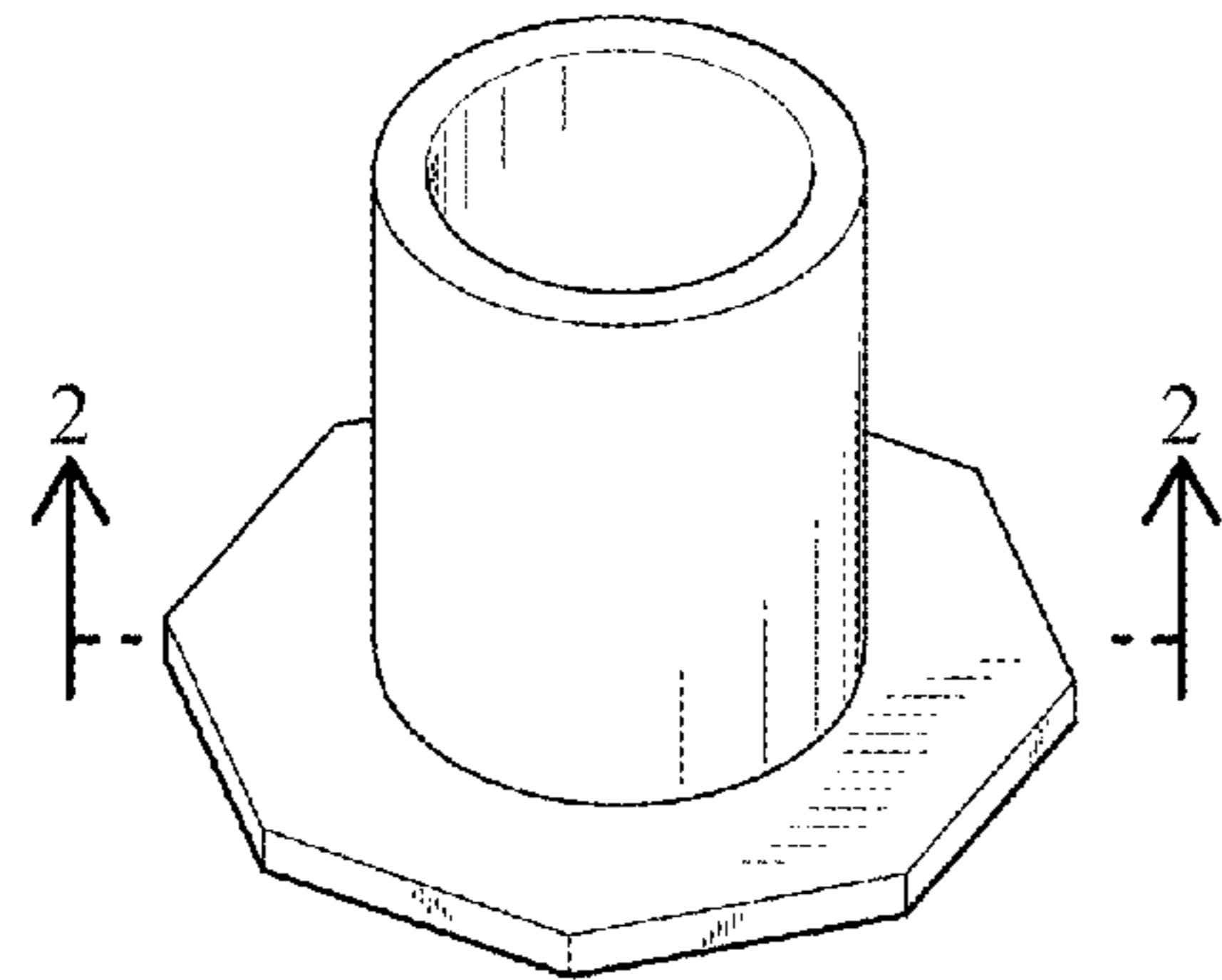


Fig. 1

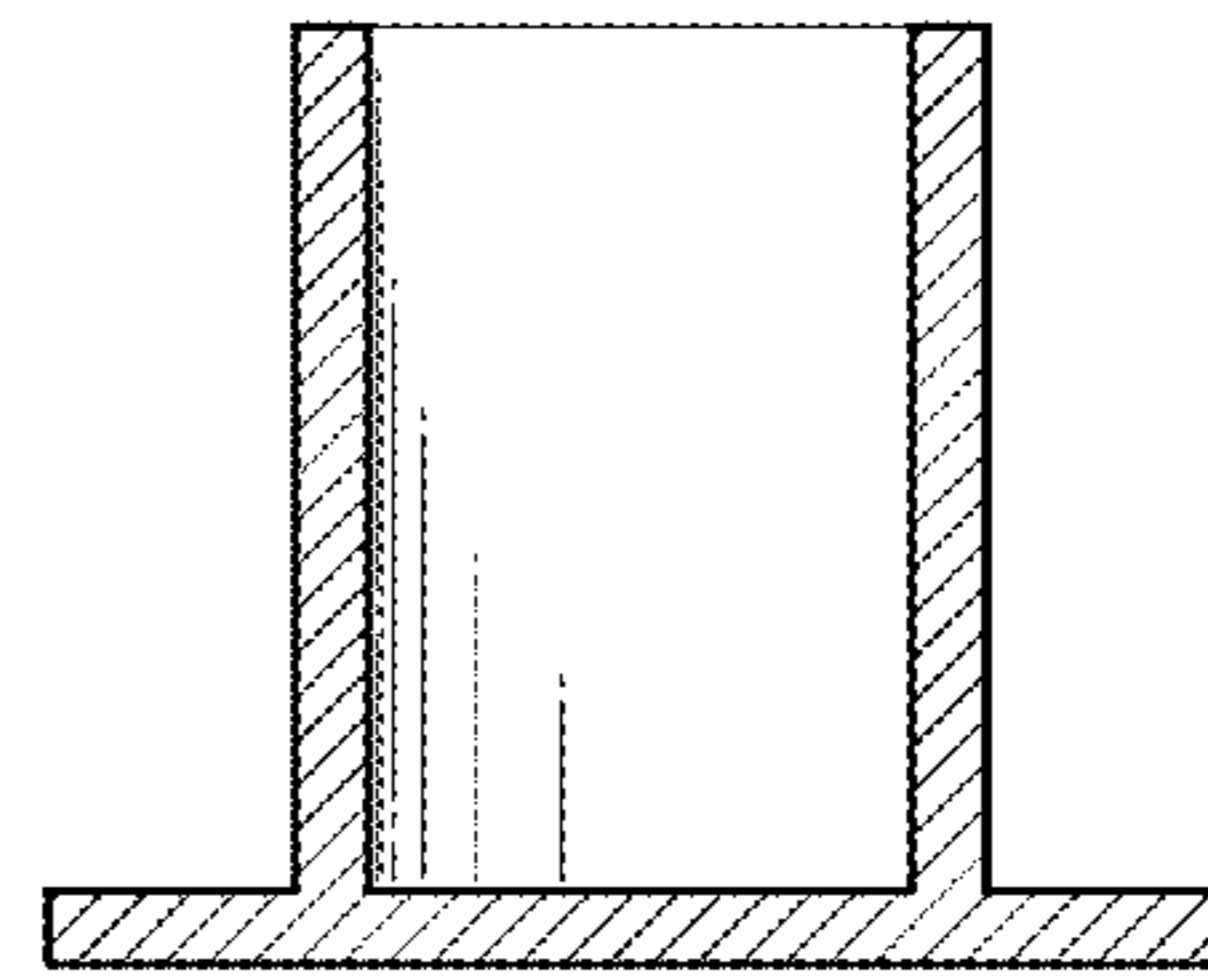


Fig. 2

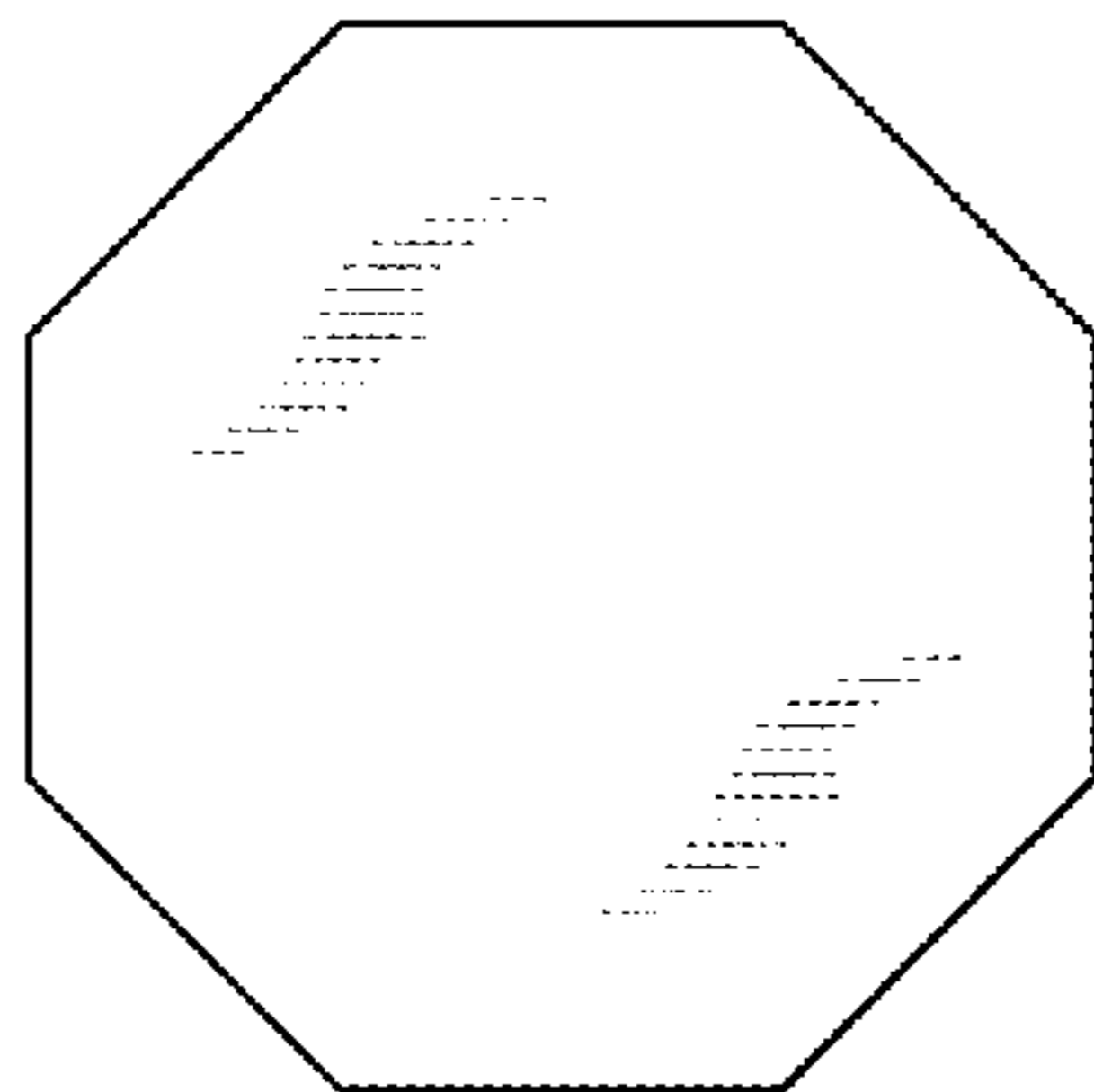


Fig. 3

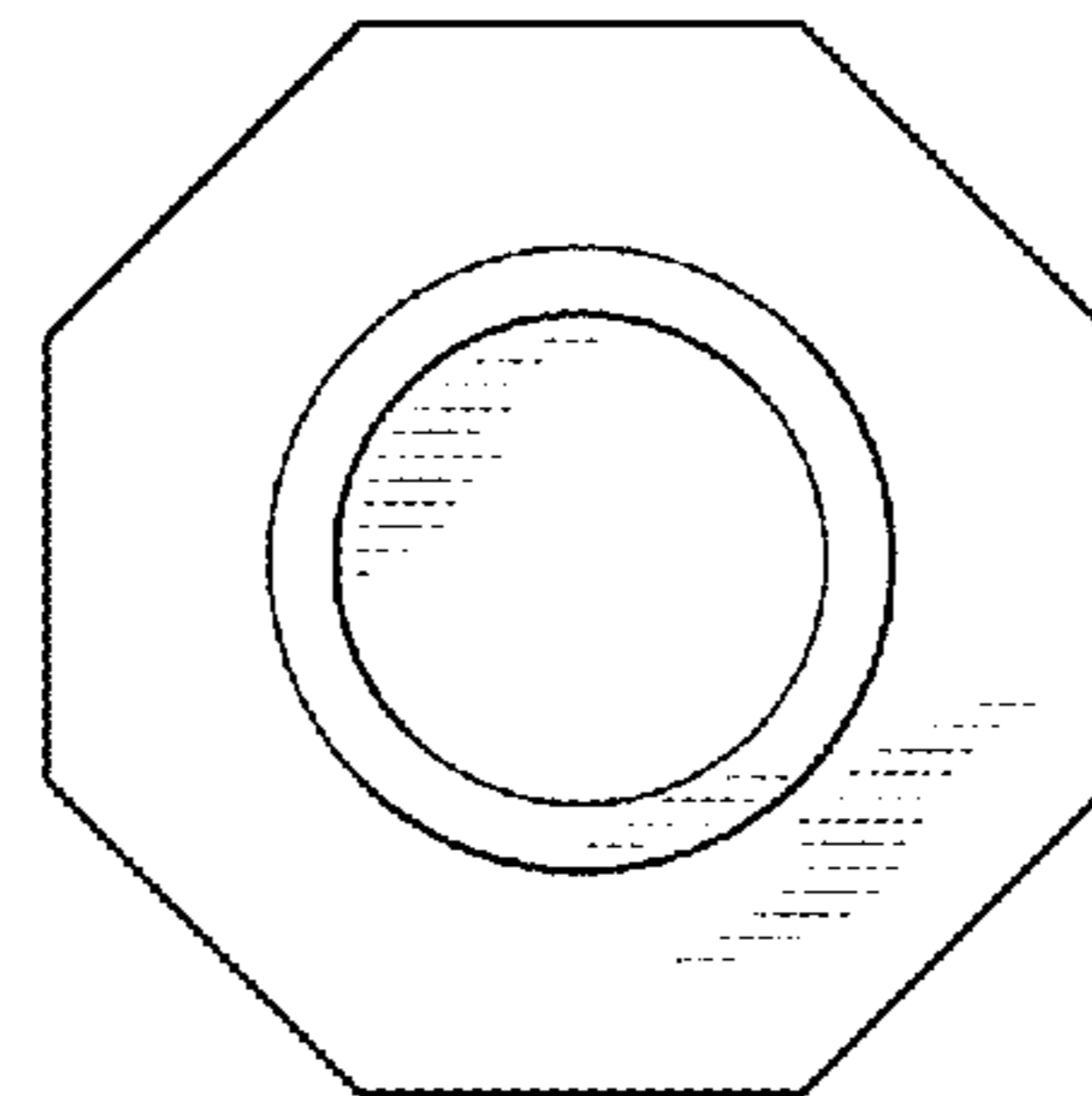


Fig. 4

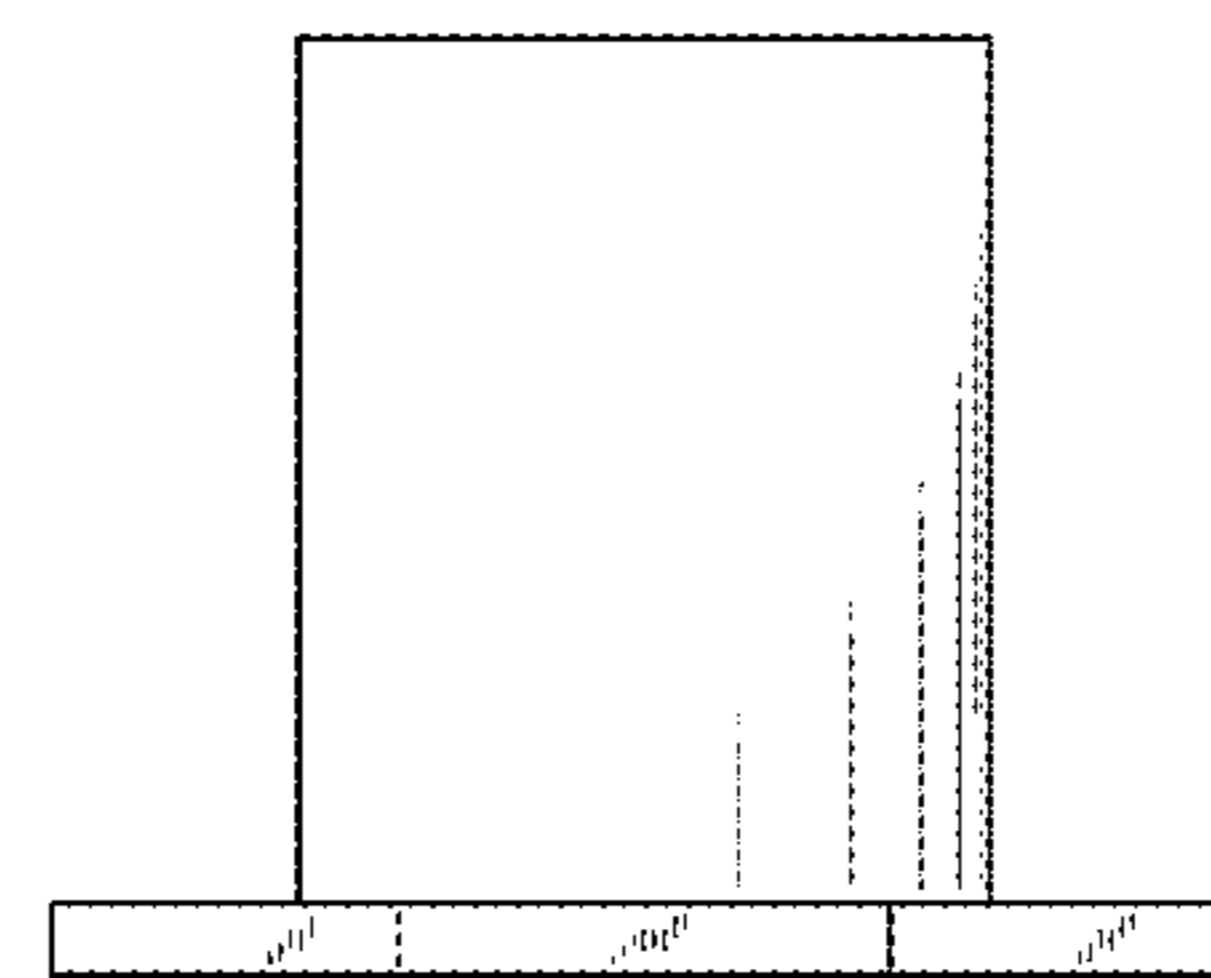


Fig. 5