



US00D867575S

(12) **United States Design Patent** (10) **Patent No.:** **US D867,575 S**  
**Esteve** (45) **Date of Patent:** **\*\* Nov. 19, 2019**

(54) **INHALER**  
(71) Applicant: **Emphasys Importadora Exportadora e Distribuidora**, Porto Feliz (BR)  
(72) Inventor: **Victor Esteve**, Itú (BR)  
(73) Assignee: **Emphasys Importadora Exportadora e Distribuidora**, Porto Feliz SP (BR)  
(\*\*) Term: **15 Years**  
(21) Appl. No.: **29/563,376**  
(22) Filed: **May 4, 2016**

D573,251 S \* 7/2008 Pentafragas ..... D24/110  
8,286,631 B2 \* 10/2012 Pentafragas ..... A61M 15/0028  
128/203.15  
8,479,730 B2 \* 7/2013 Ziegler ..... A61M 15/0028  
128/203.12  
8,539,946 B2 \* 9/2013 Esteve ..... A61M 15/0028  
128/203.15  
2005/0252511 A1 \* 11/2005 Pentafragas ..... A61M 15/0028  
128/203.15  
2007/0295332 A1 \* 12/2007 Ziegler ..... A61M 15/0028  
128/203.15  
2011/0067695 A1 \* 3/2011 Minshull ..... A61M 15/0065  
128/203.12  
2011/0120463 A1 \* 5/2011 Esteve ..... A61M 15/0028  
128/203.15  
2014/0014105 A1 \* 1/2014 Berenshteyn ..... A61M 15/0065  
128/203.15

(30) **Foreign Application Priority Data**

Nov. 19, 2015 (EM) ..... 002869719-0002

(51) **LOC (12) Cl.** ..... **29-02**

(52) **U.S. Cl.**  
USPC ..... **D24/110**

(58) **Field of Classification Search**  
USPC ..... D24/107, 108, 110.1, 164, 110, 110.5  
CPC ..... A61M 2202/064; A61M 15/0021; A61M 15/006; A61M 15/009; A61M 15/0028; A61M 15/0065; A61M 15/0091; A61M 15/00; A61M 15/0025; A61M 11/005; A61M 15/0085; A61M 11/02; A61M 16/14; A61M 11/003; A61M 11/007; A24F 47/008

See application file for complete search history.

(56) **References Cited**

**U.S. PATENT DOCUMENTS**

D365,876 S \* 1/1996 Chawla ..... D24/110  
D397,435 S \* 8/1998 Naumann ..... D24/110  
D527,817 S \* 9/2006 Ziegler ..... D24/110  
7,318,435 B2 \* 1/2008 Pentafragas ..... A61M 15/0028  
128/203.15

\* cited by examiner

*Primary Examiner* — Lilyana Bekic

(74) *Attorney, Agent, or Firm* — Ware, Fressola, Maguire & Barber LLP

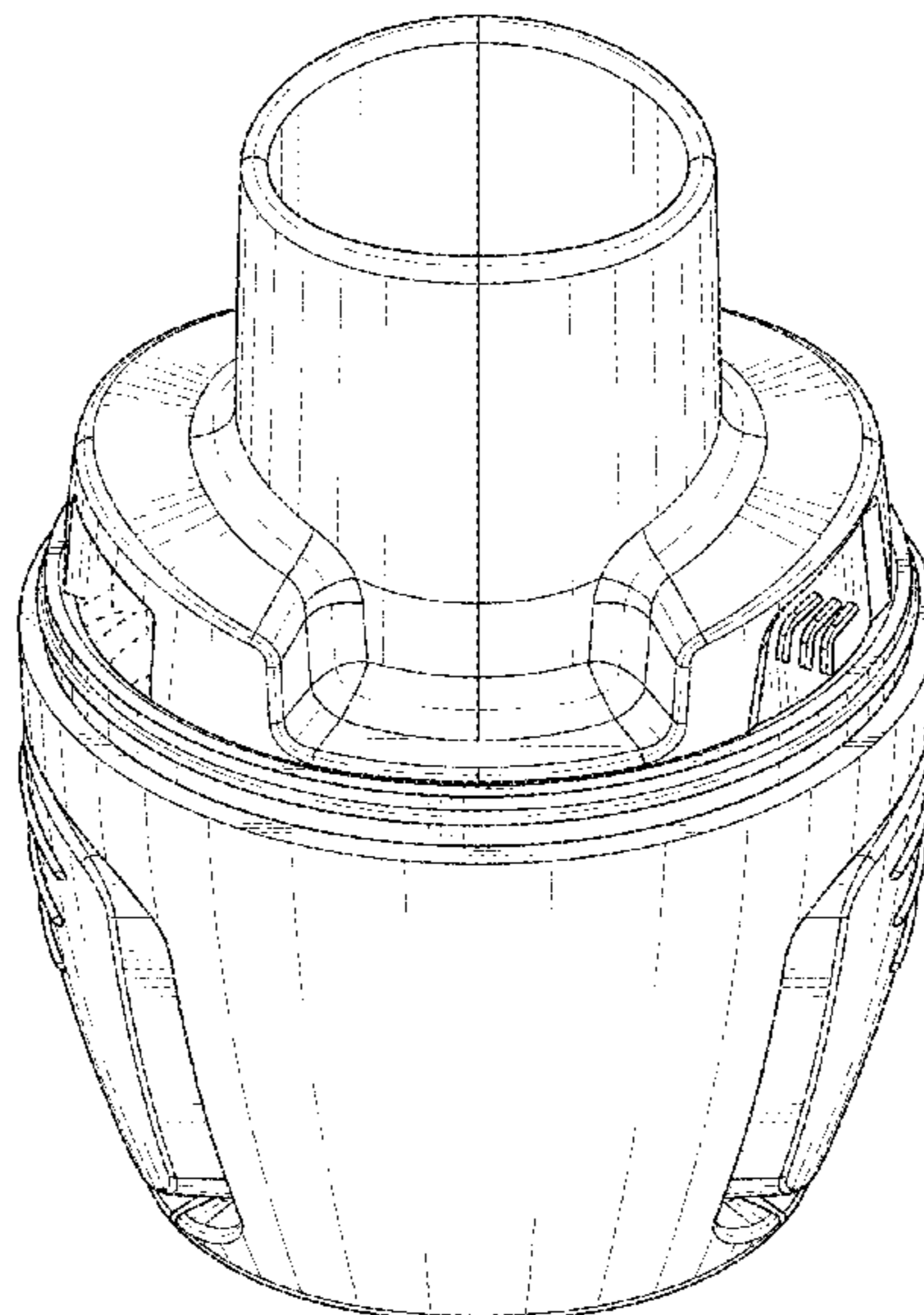
(57) **CLAIM**

I claim the ornamental design for an inhaler, as shown and described.

**DESCRIPTION**

FIG. 1 is a front top perspective view of an inhaler according to the present invention;  
FIG. 2 is a right side view of the inhaler in FIG. 1, the left side view being identical to the right side view;  
FIG. 3 is a front view of the inhaler shown in FIG. 1, the back view being identical to the front view;  
FIG. 4 is a top view of the inhaler shown in FIG. 1; and,  
FIG. 5 is a bottom view of the inhaler shown in FIG. 1.  
The broken lines in the drawings depict portions of the inhaler that form no part the claimed design.

**1 Claim, 5 Drawing Sheets**



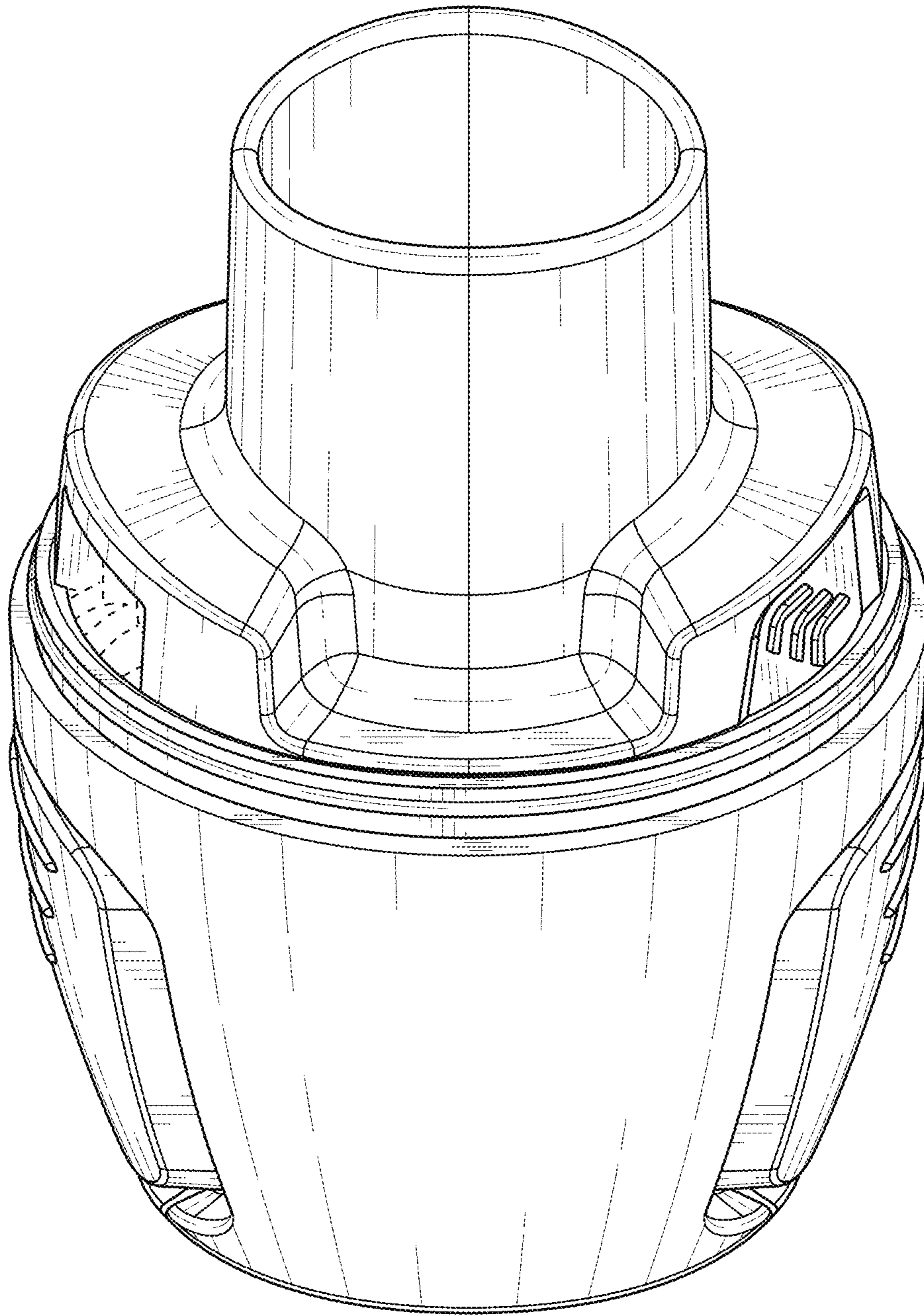


FIG. 1

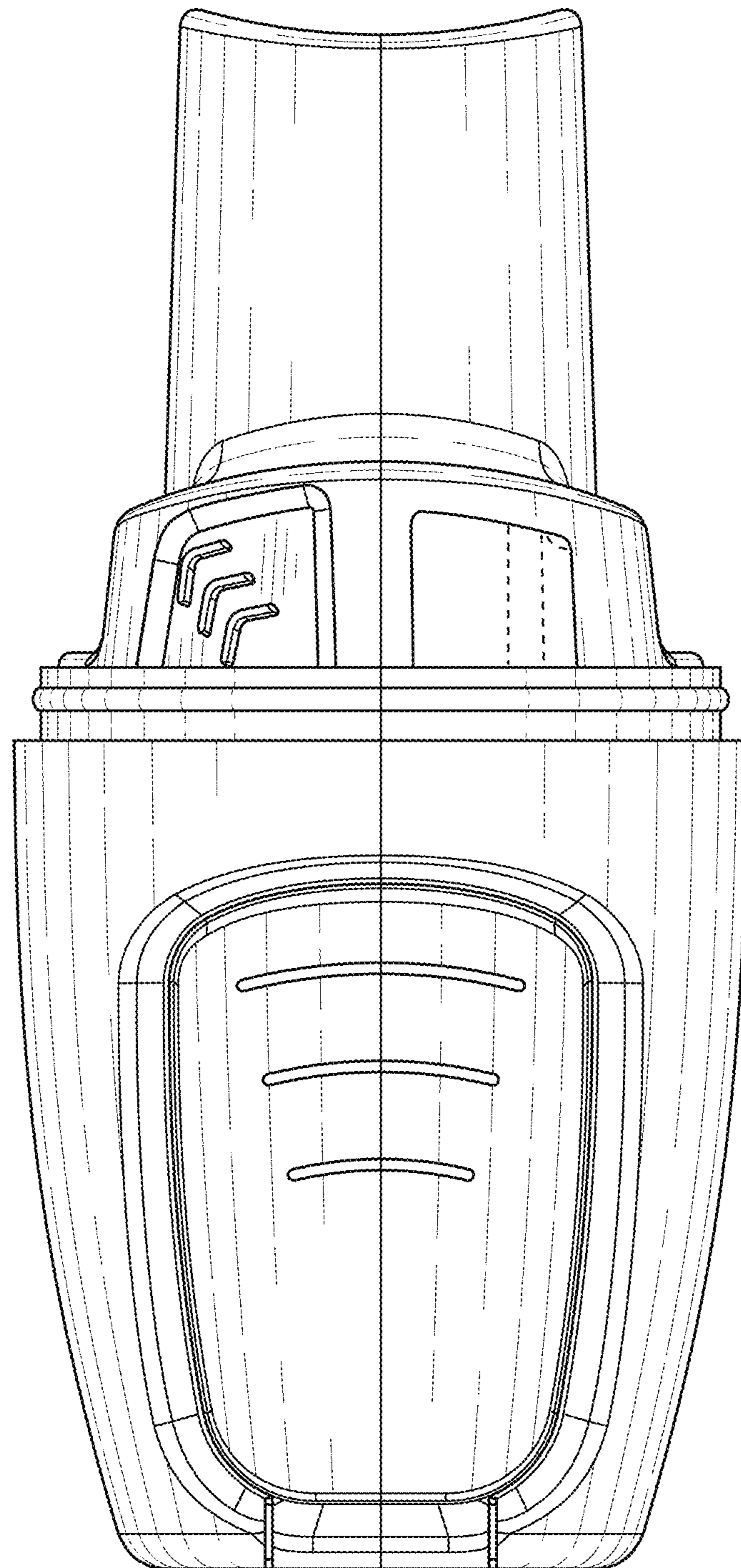


FIG. 2

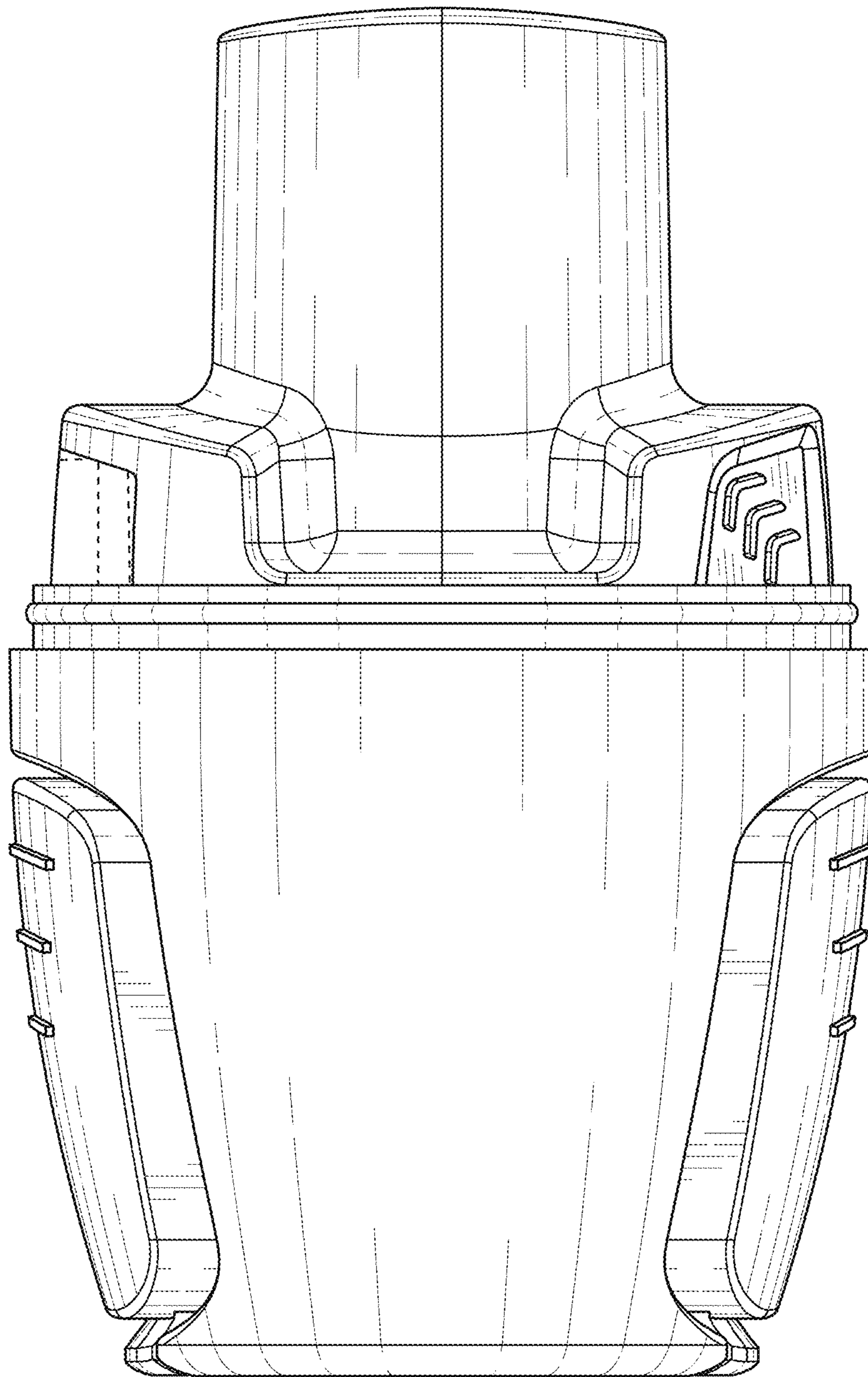


FIG. 3

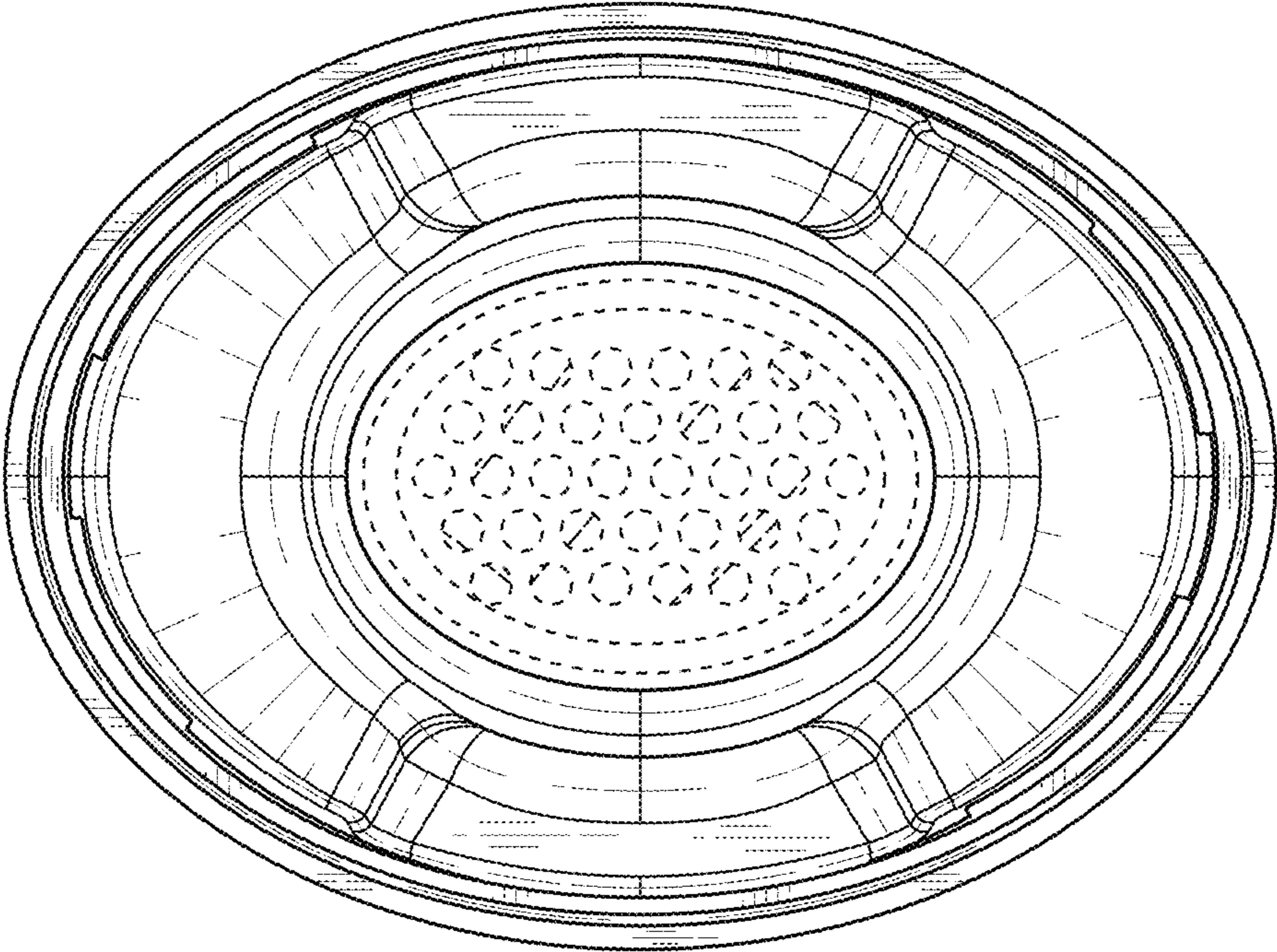


FIG. 4

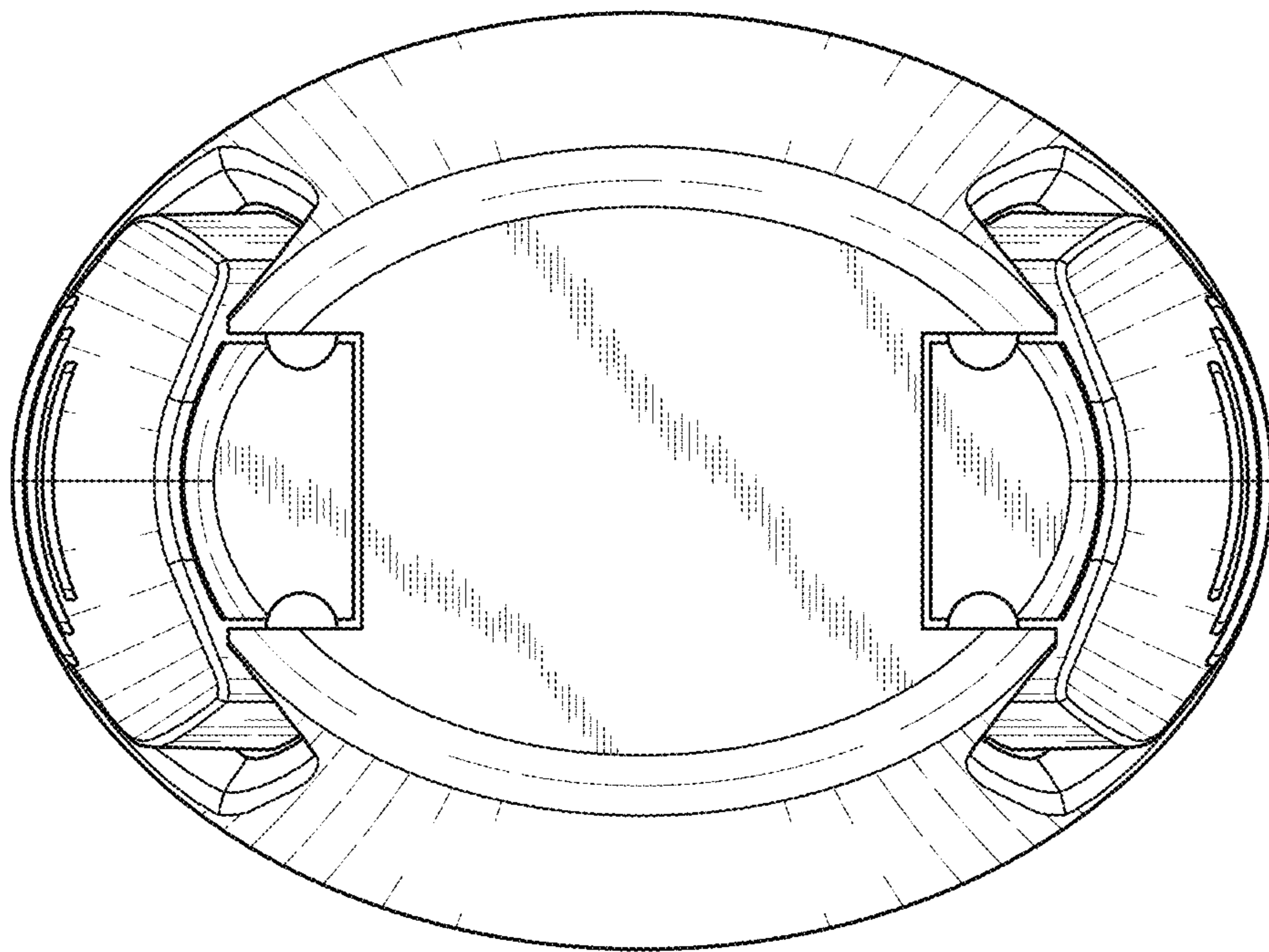


FIG. 5