



US00D867572S

(12) **United States Design Patent** (10) **Patent No.:** **US D867,572 S**
Lucero et al. (45) **Date of Patent:** **** Nov. 19, 2019**

(54) **WAVY ROOF VENT**
(71) Applicants: **John Lucero**, Los Angeles, CA (US);
Douglas Alan Linkon, Los Angeles, CA (US)
(72) Inventors: **John Lucero**, Los Angeles, CA (US);
Douglas Alan Linkon, Los Angeles, CA (US)
(73) Assignee: **M5 Steel Manufacturing, Inc.**, Los Angeles, CA (US)
(**) Term: **15 Years**
(21) Appl. No.: **29/586,100**
(22) Filed: **Nov. 30, 2016**
(51) **LOC (12) Cl.** **23-04**
(52) **U.S. Cl.**
USPC **D23/373; D25/138**
(58) **Field of Classification Search**
USPC D23/37-373, 386, 411
CPC F04D 5/00; F04D 27/00; F24H 3/04
See application file for complete search history.

(56) **References Cited**
U.S. PATENT DOCUMENTS
D473,327 S * 4/2003 Lynch D25/141
6,941,706 B2 * 9/2005 Austin E04D 13/004
52/302.3
D519,219 S * 4/2006 Dodge D25/143
D520,149 S * 5/2006 Dodge D25/143
D566,825 S * 4/2008 Lucero D23/386
D588,256 S * 3/2009 Daniels D23/373
D589,134 S * 3/2009 O'Hagin D23/373
D602,147 S * 10/2009 Lucero D23/386
D610,245 S * 2/2010 Daniels D23/373
D712,559 S * 9/2014 Suzuki D24/206
D719,281 S * 12/2014 Derreumaux D25/141
D777,950 S * 1/2017 Bilge D25/138
D788,281 S * 5/2017 Daniels D23/373

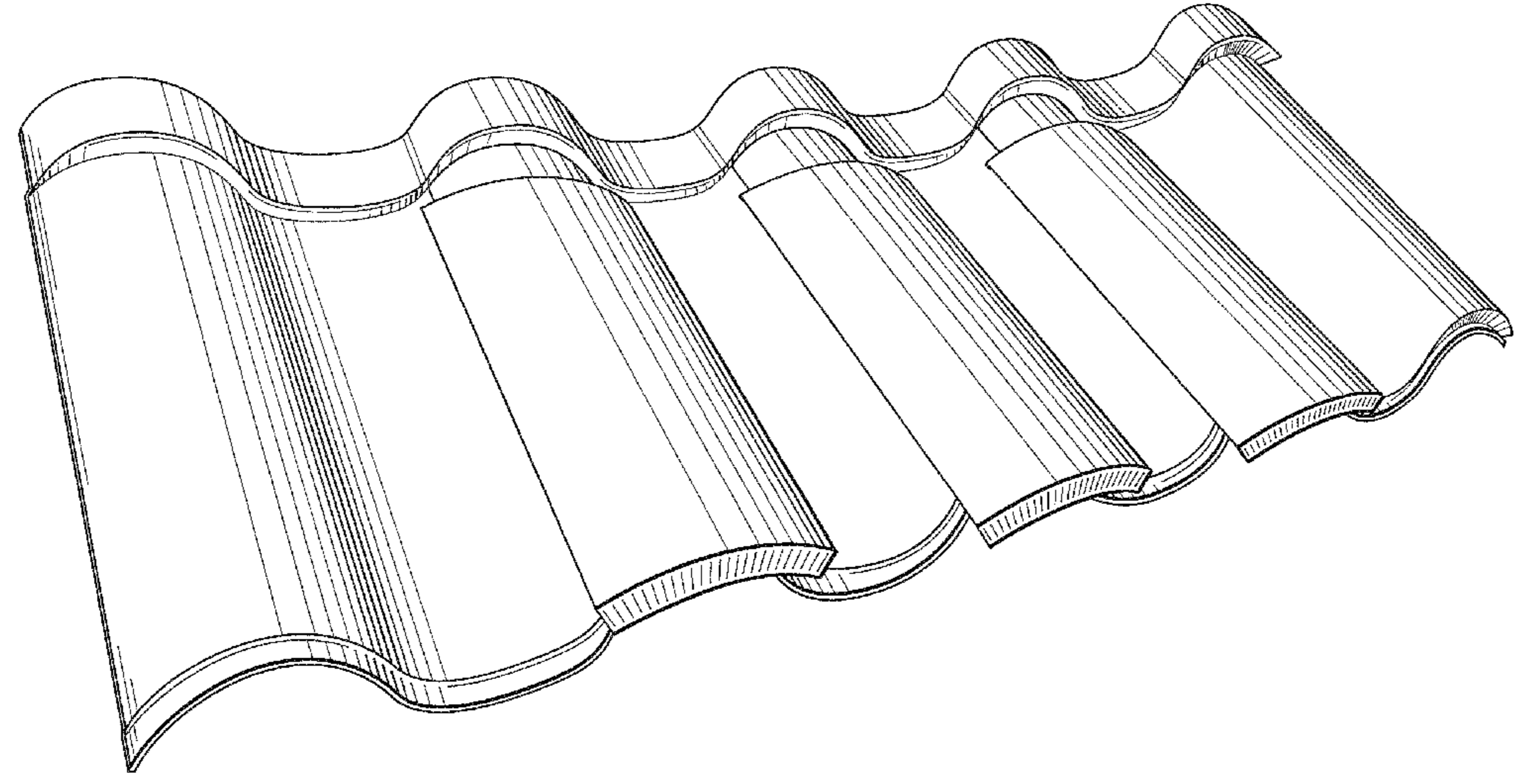
D788,902 S * 6/2017 Daniels D23/373
D799,460 S * 10/2017 Katopis D14/250
D820,429 S * 6/2018 Ainger D23/373
2007/0243820 A1 * 10/2007 O'Hagin F24F 7/025
454/365
2008/0000174 A1 * 1/2008 Flaherty E04D 1/08
52/173.3
2008/0299892 A1 * 12/2008 Robinson E04D 1/30
454/366
2009/0286463 A1 * 11/2009 Daniels F24F 7/02
454/366
2010/0330898 A1 * 12/2010 Daniels E04D 13/17
454/365
2012/0151856 A1 * 6/2012 Azoulay H02S 20/25
52/173.3
2012/0190288 A1 * 7/2012 Willen E04D 1/30
454/250
2015/0143760 A1 * 5/2015 Daniels E04D 13/17
52/173.1
2017/0037633 A1 * 2/2017 Ainger E04D 13/17

* cited by examiner
Primary Examiner — Janice Hallmark
(74) *Attorney, Agent, or Firm* — Rutan & Tucker, LLP;
Hani Z. Sayed

(57) **CLAIM**
The ornamental design for a wavy roof vent, as shown and described.

DESCRIPTION
FIG. 1—Top, front, left side perspective view;
FIG. 2—Front elevation view;
FIG. 3—Rear elevation view;
FIG. 4—Right side elevation view, the left side elevation view being a mirror image, shown at an enlarged scale;
FIG. 5—Top plan view;
FIG. 6—Bottom plan view; and,
FIG. 7—Cross-section view taken along line 7-7 of FIG. 2, shown at an enlarged scale.

1 Claim, 5 Drawing Sheets



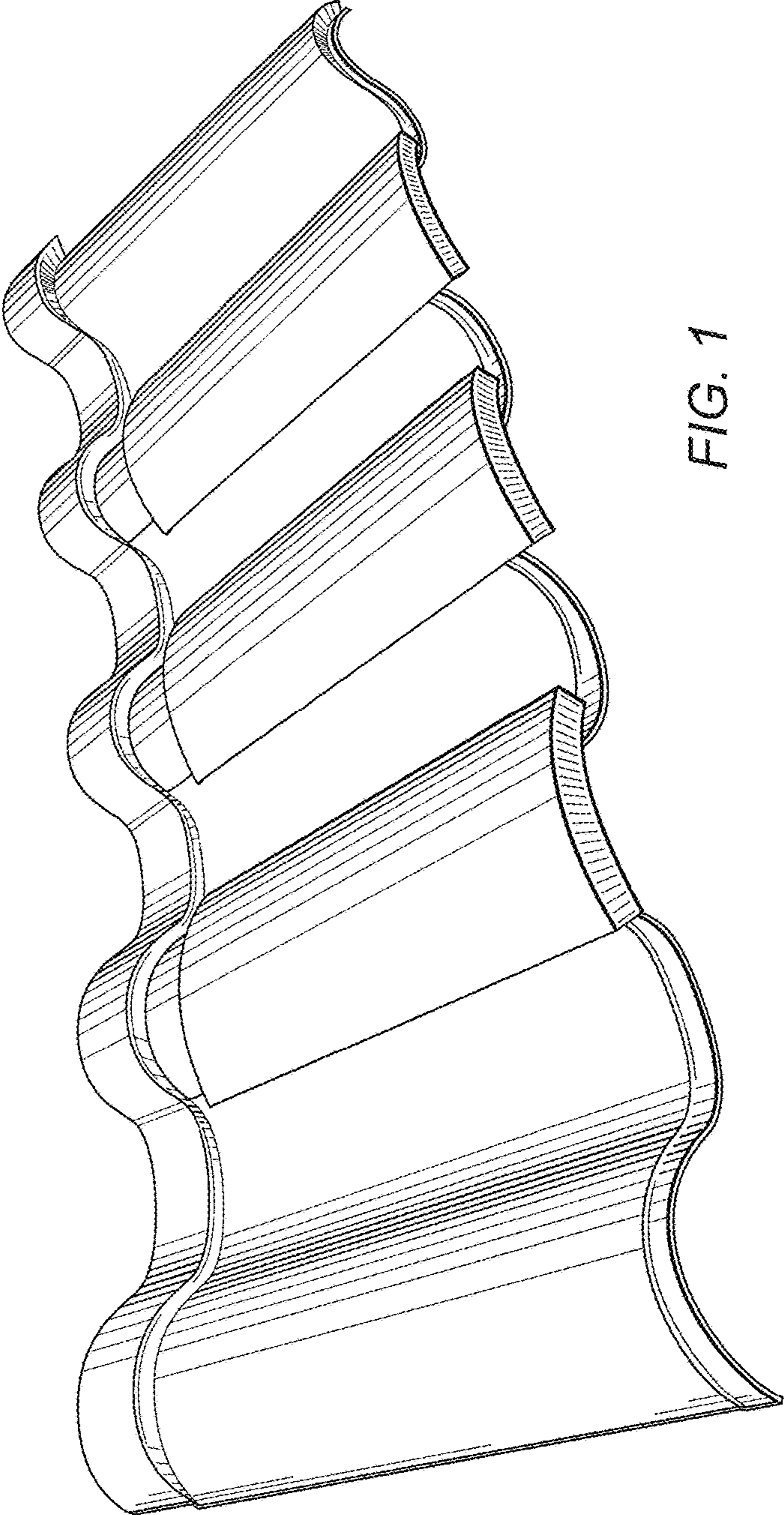
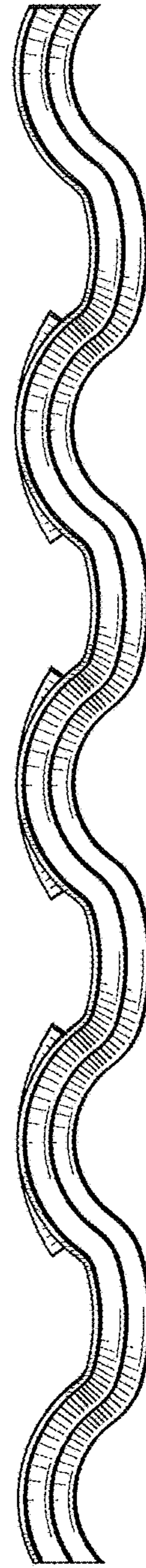
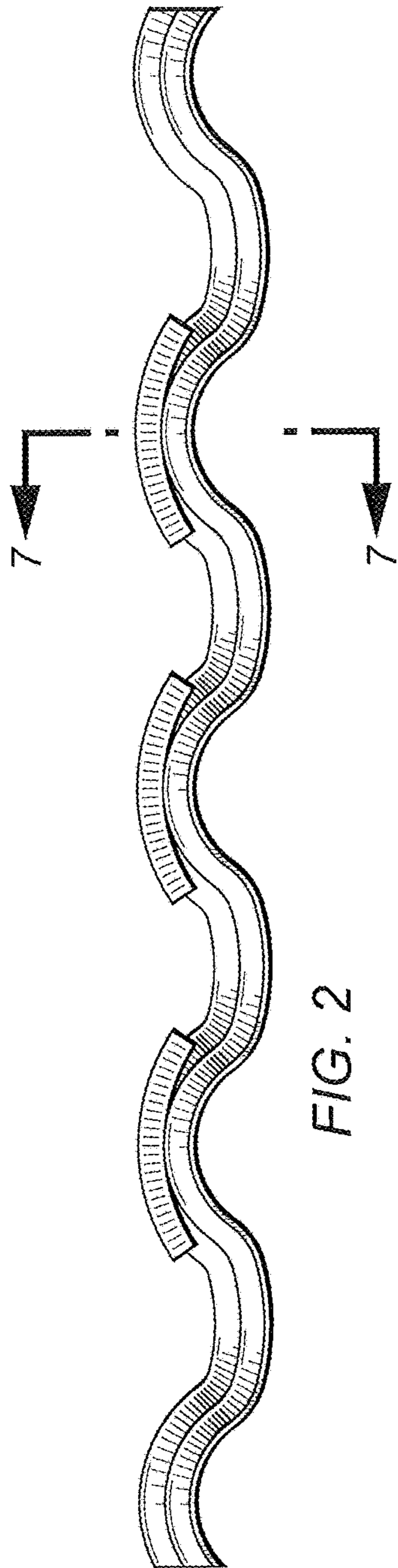


FIG. 1



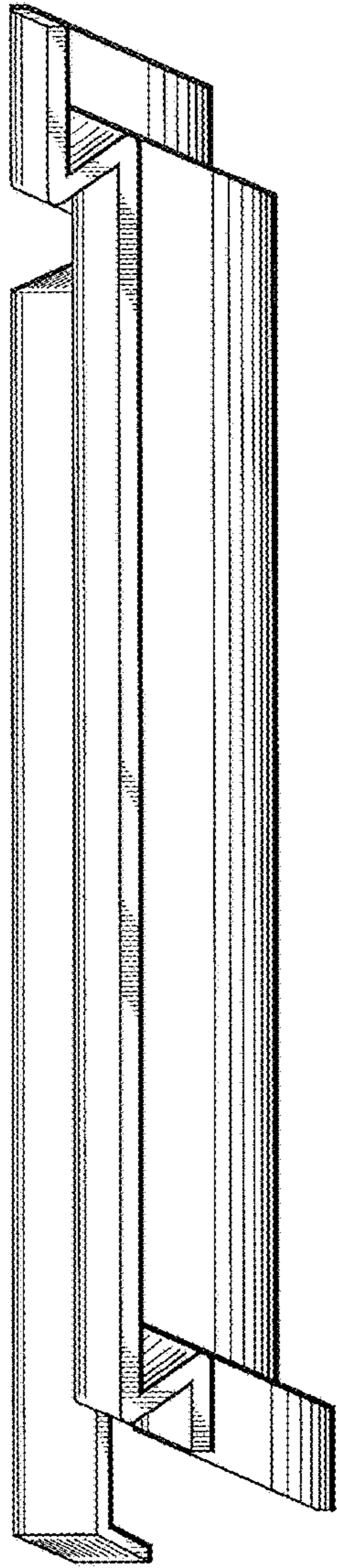
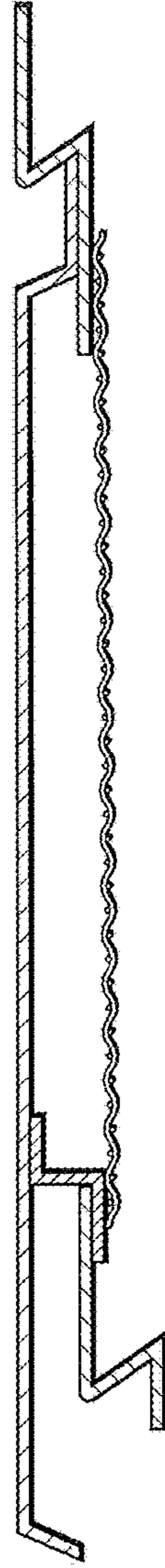


FIG. 4

FIG. 7



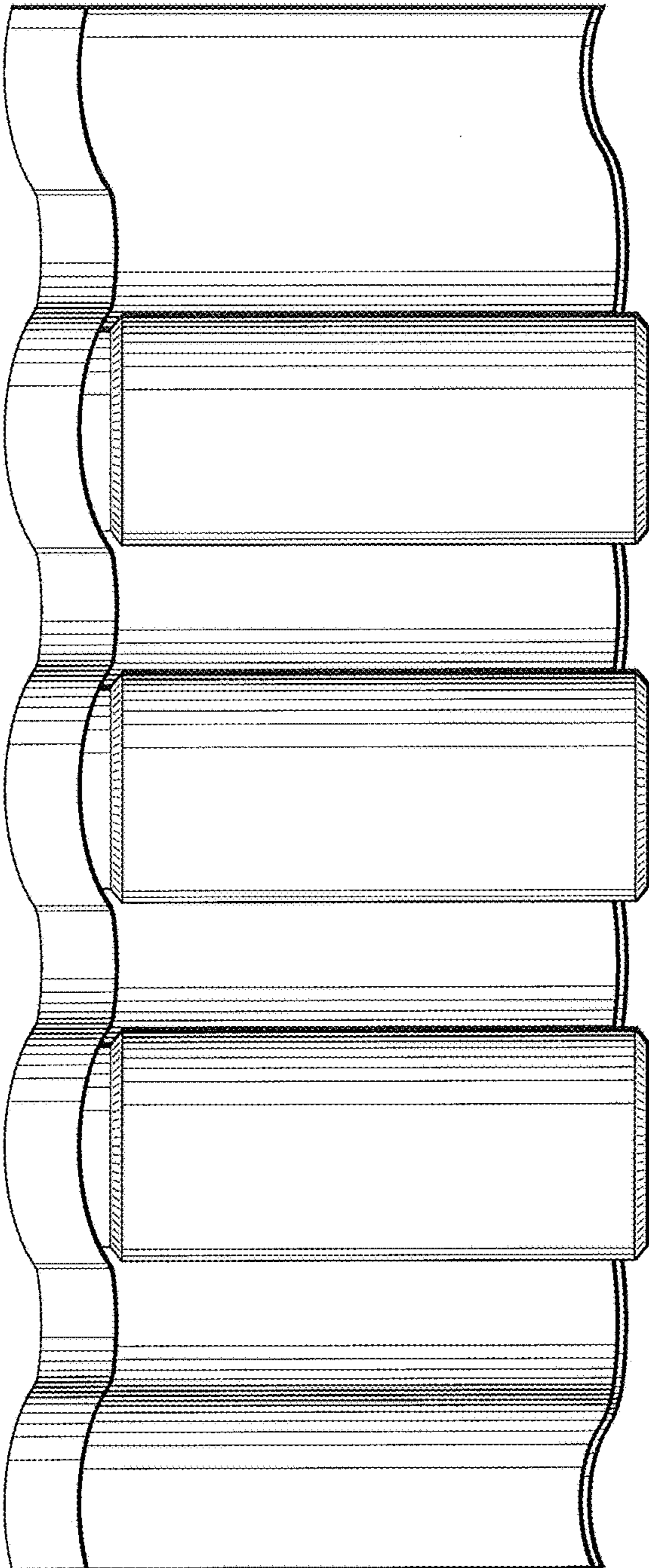


FIG. 5

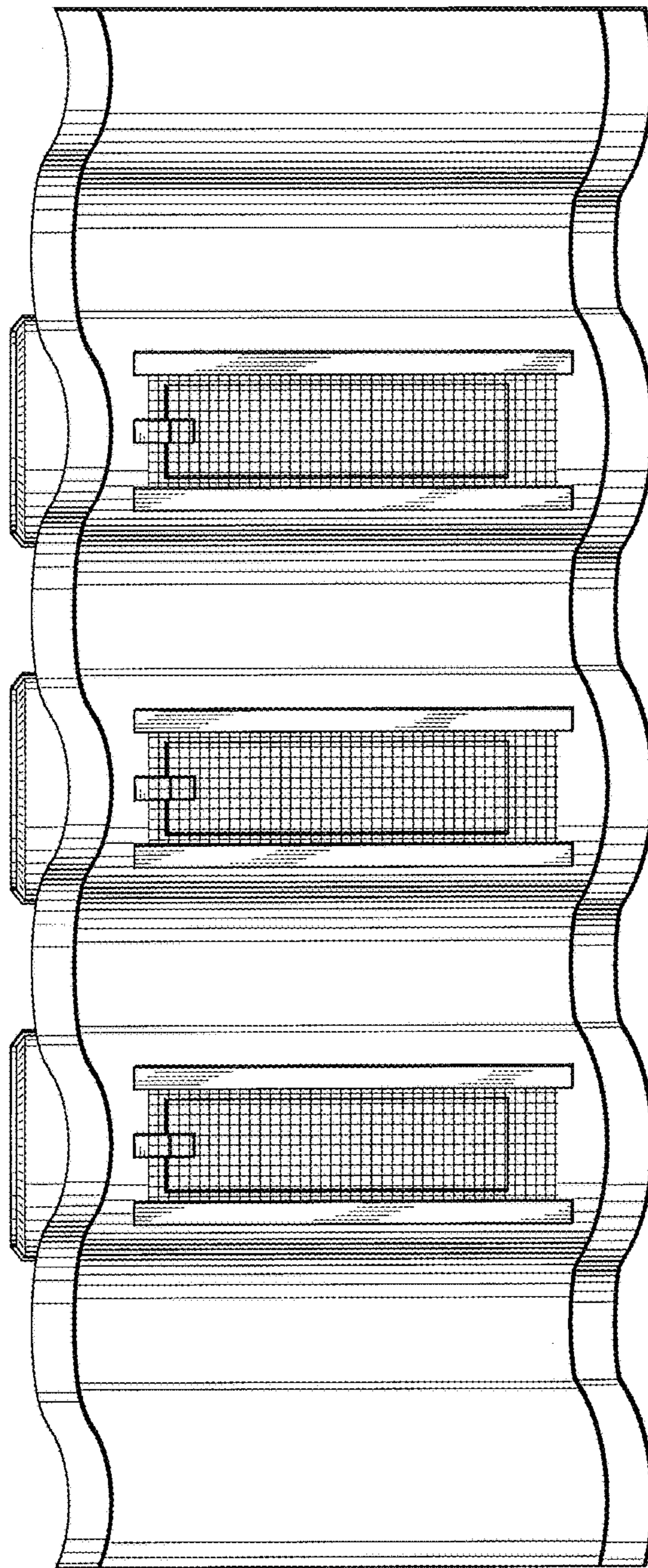


FIG. 6