

US00D867571S

(12) **United States Design Patent** (10) **Patent No.:** **US D867,571 S**
Mok (45) **Date of Patent:** **** Nov. 19, 2019**

(54) **VENTILATION HOOD**

(71) Applicants: **BSH Home Appliances Corporation**,
Irvine, CA (US); **BSH Hausgeräte**
GmbH, Munich (DE)

(72) Inventor: **Andy Mok**, Stanton, CA (US)

(73) Assignees: **BSH Home Appliances Corporation**,
Irvine, CA (US); **BSH Hausgeräte**
GmbH, Munich (DE)

(**) Term: **15 Years**

(21) Appl. No.: **29/679,935**

(22) Filed: **Feb. 12, 2019**

Related U.S. Application Data

(62) Division of application No. 29/608,156, filed on Jun. 20, 2017.

(51) **LOC (12) Cl.** **23-04**

(52) **U.S. Cl.**
USPC **D23/372**

(58) **Field of Classification Search**

USPC D23/332-337, 370-385, 411
CPC .. F24C 15/2042; F24C 15/2021; F24C 13/00;
F24C 15/20; F24C 15/2028; F24C
15/2035; F24C 15/205; F24C 15/2071;
F24C 15/2085; F24C 15/2092

See application file for complete search history.

(56) **References Cited**

U.S. PATENT DOCUMENTS

D149,771 S * 5/1948 Pledger D23/372
4,009,894 A * 3/1977 Marquette F16L 41/08
285/183
D272,846 S * 2/1984 McVicker D23/371
5,267,550 A * 12/1993 Jang F24C 15/20
126/299 D

D379,501 S * 5/1997 Airoso D23/371
D463,018 S * 9/2002 Kojima D23/372
D475,131 S * 5/2003 Pilger D23/393
D571,446 S * 6/2008 Martin D23/372
D659,232 S * 5/2012 Funnell, II D23/371
D676,542 S * 2/2013 Sinur D23/372
D677,775 S * 3/2013 Funnell, II D23/371
D684,676 S * 6/2013 Funnell, II D23/372
D687,138 S * 7/2013 Funnell, II D23/371
D694,393 S * 11/2013 Funnell, II D23/372
D696,392 S * 12/2013 Funnell, II D23/371
D699,831 S * 2/2014 Funnell, II D23/371
D733,864 S * 7/2015 Funnell, II D23/372
D758,559 S * 6/2016 Sinur D23/372
2006/0032492 A1 * 2/2006 Bagwell F15D 1/02
126/299 R

(Continued)

Primary Examiner — Cathron C Brooks

Assistant Examiner — Sharon S Oum

(74) *Attorney, Agent, or Firm* — Michael E. Tschupp;
Andre Pallapies; Brandon G. Braun

(57) **CLAIM**

I claim the ornamental design for a ventilation hood, as shown and described.

DESCRIPTION

FIG. 1 is a rear perspective view of a ventilation hood, showing my new design;

FIG. 2 is a bottom perspective view thereof;

FIG. 3 is a front elevational view thereof;

FIG. 4 is a rear elevational view thereof;

FIG. 5 is a right side elevational view thereof;

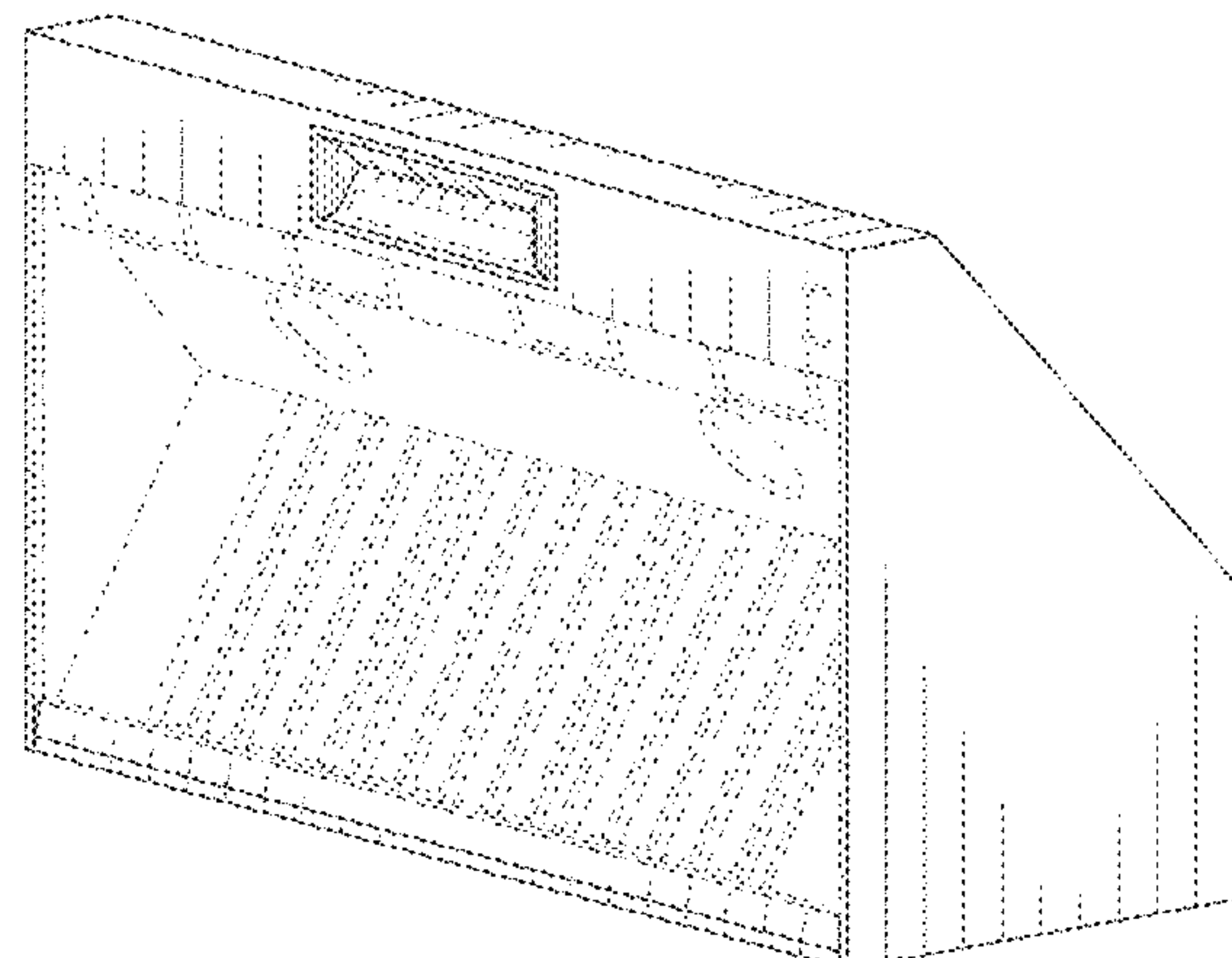
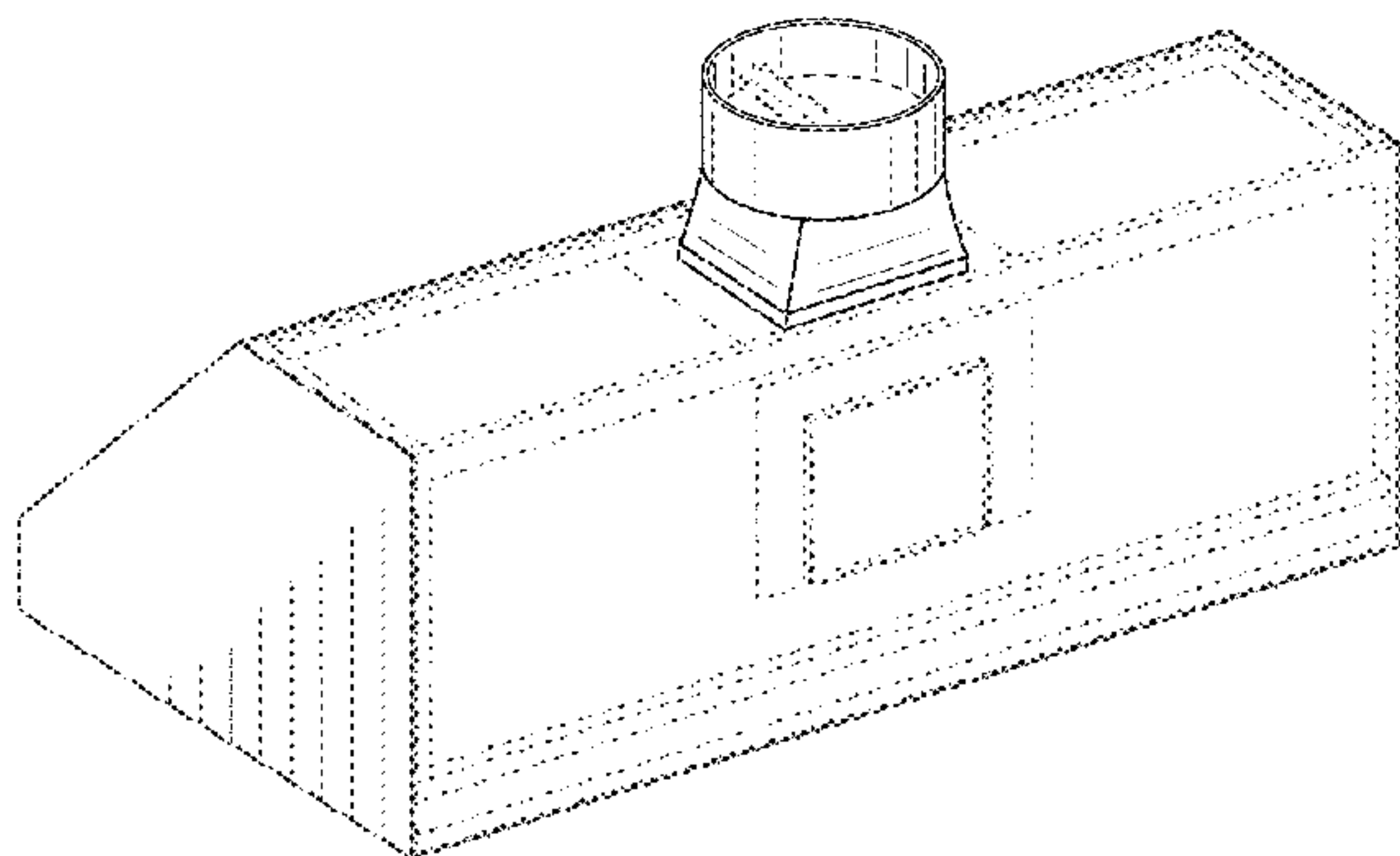
FIG. 6 is a left side elevational view thereof;

FIG. 7 is a top plan view thereof; and,

FIG. 8 is a bottom plan view thereof.

The dash-dot-dash broken lines illustrate the bounds of the claim. All other broken lines, illustrate portions of the ventilation hood. None of the broken lines form part of the claimed design.

1 Claim, 4 Drawing Sheets



(56)

References Cited

U.S. PATENT DOCUMENTS

2007/0256680 A1* 11/2007 Chiang F24C 15/20
126/299 R
2007/0256681 A1* 11/2007 Chiang F24C 15/2071
126/299 R
2012/0083198 A1* 4/2012 Sinur F24C 15/20
454/237
2016/0341433 A1* 11/2016 Gauthier F24C 15/2028

* cited by examiner

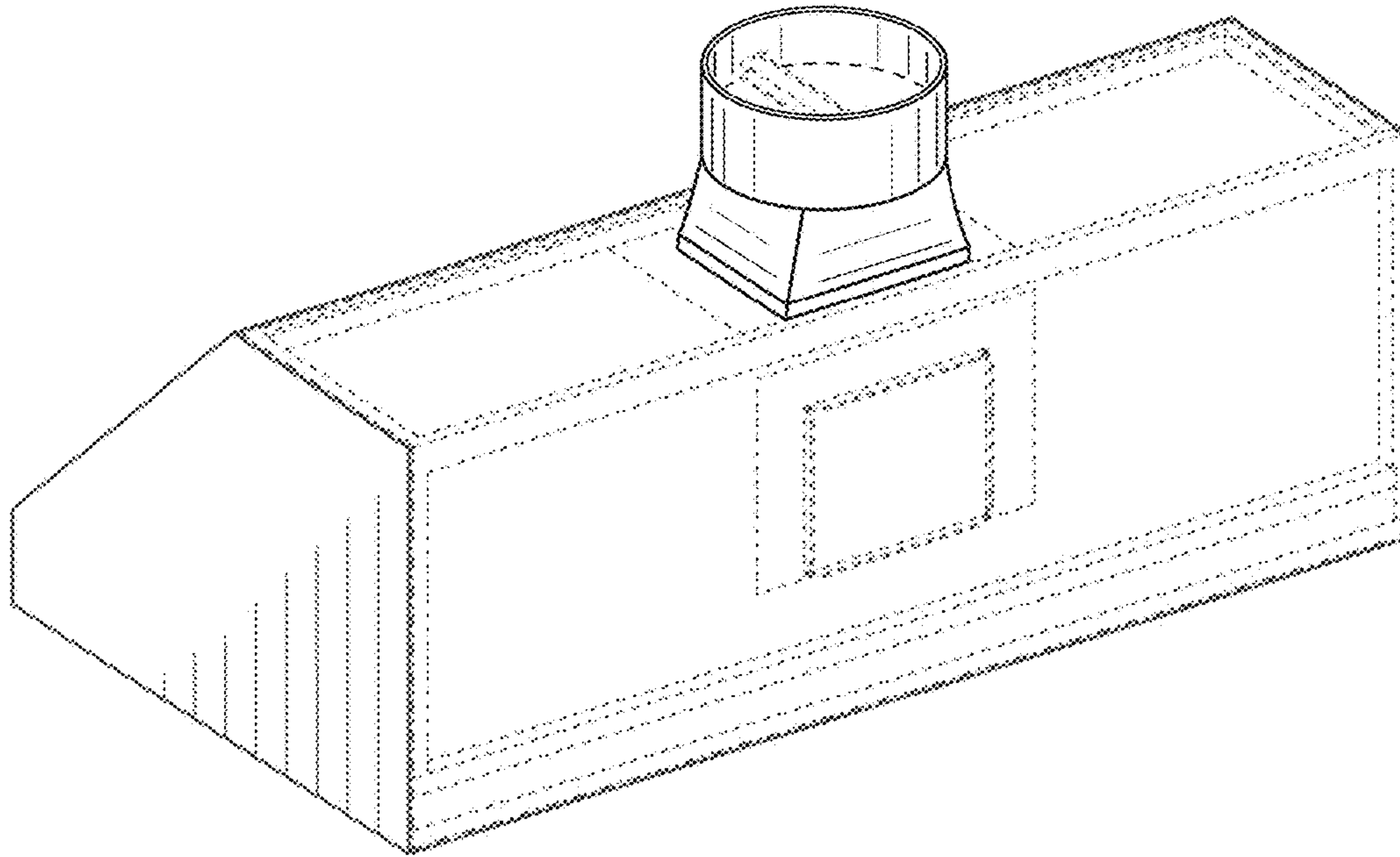


FIG. 1

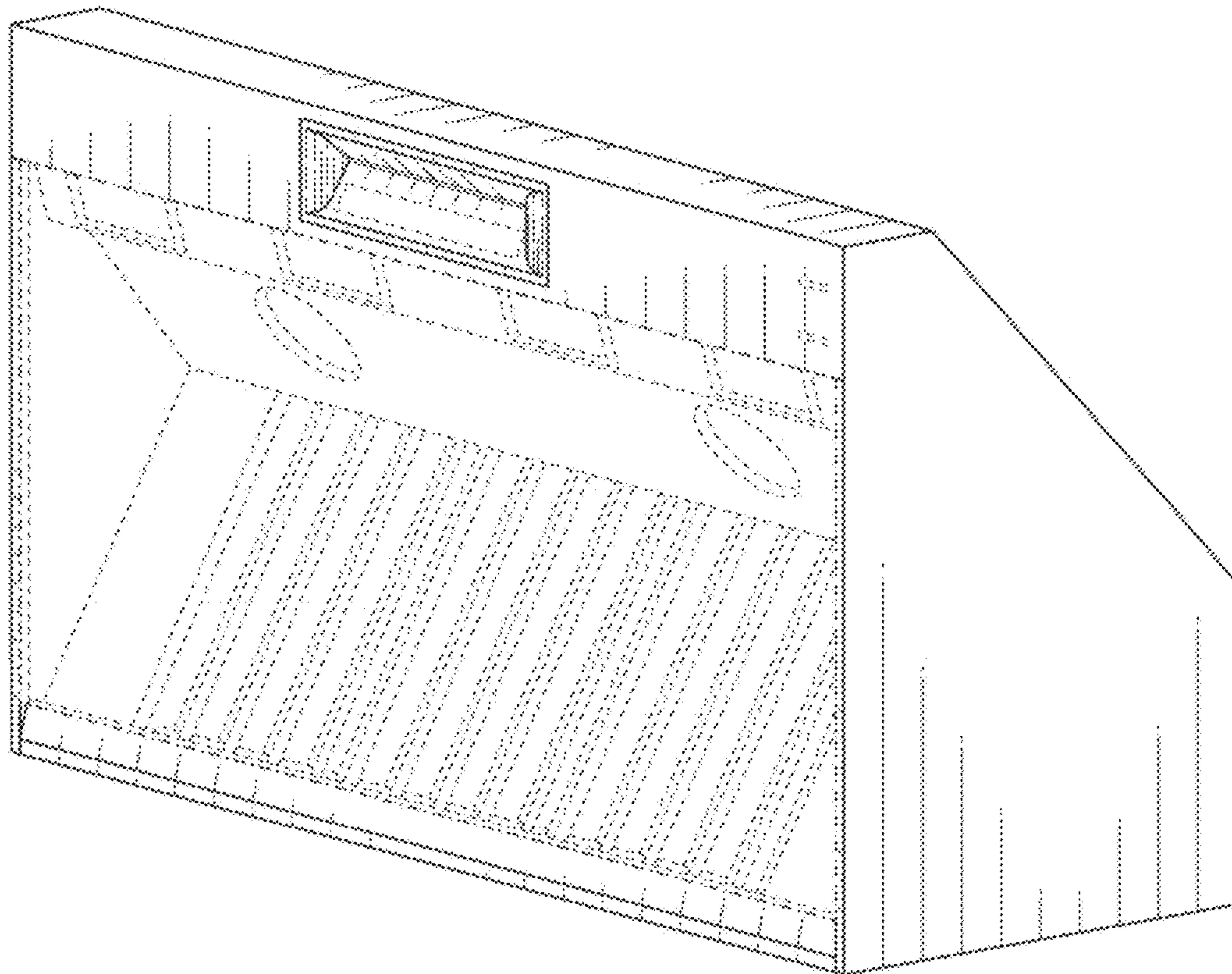


FIG. 2

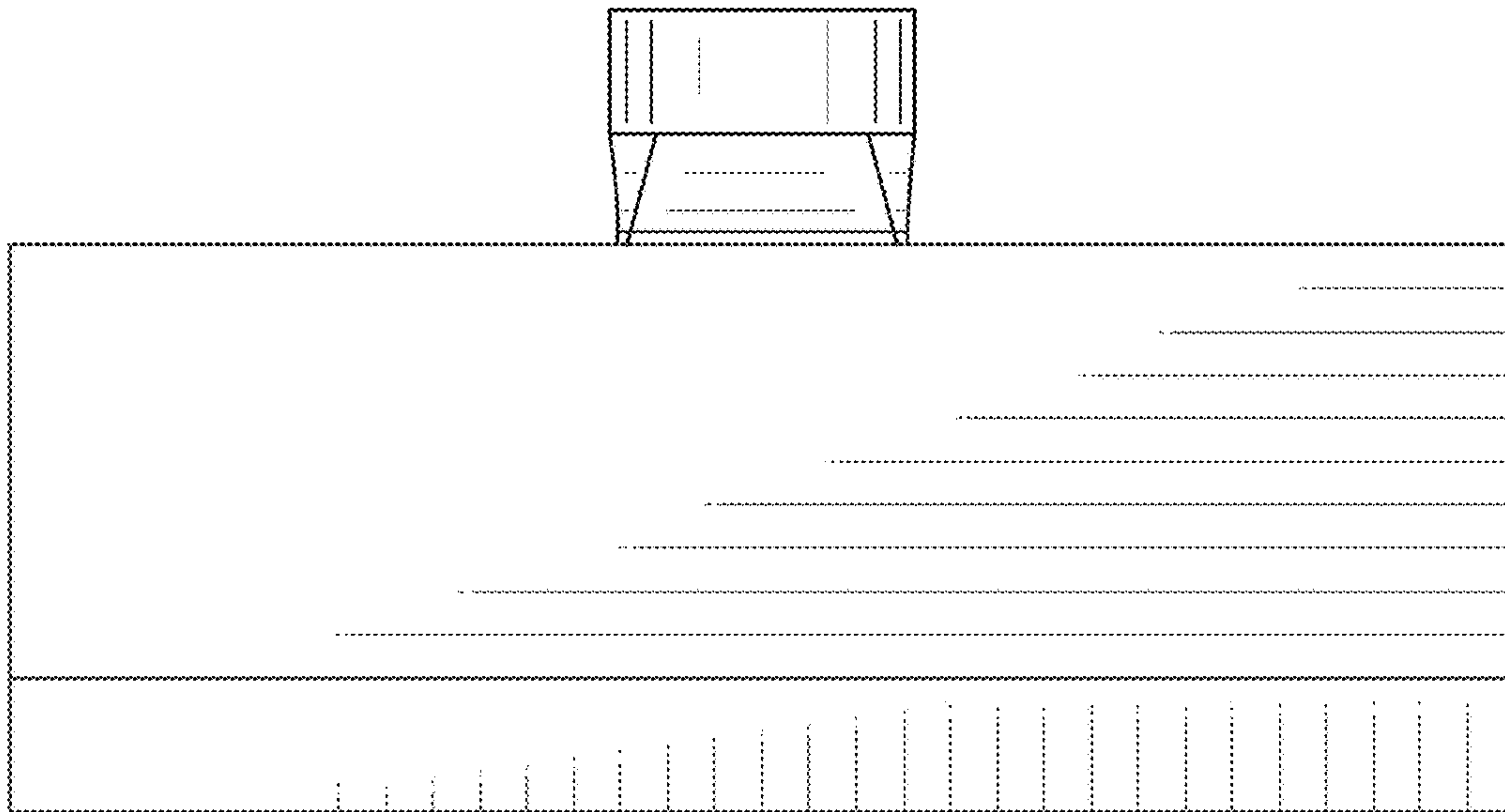


FIG. 3

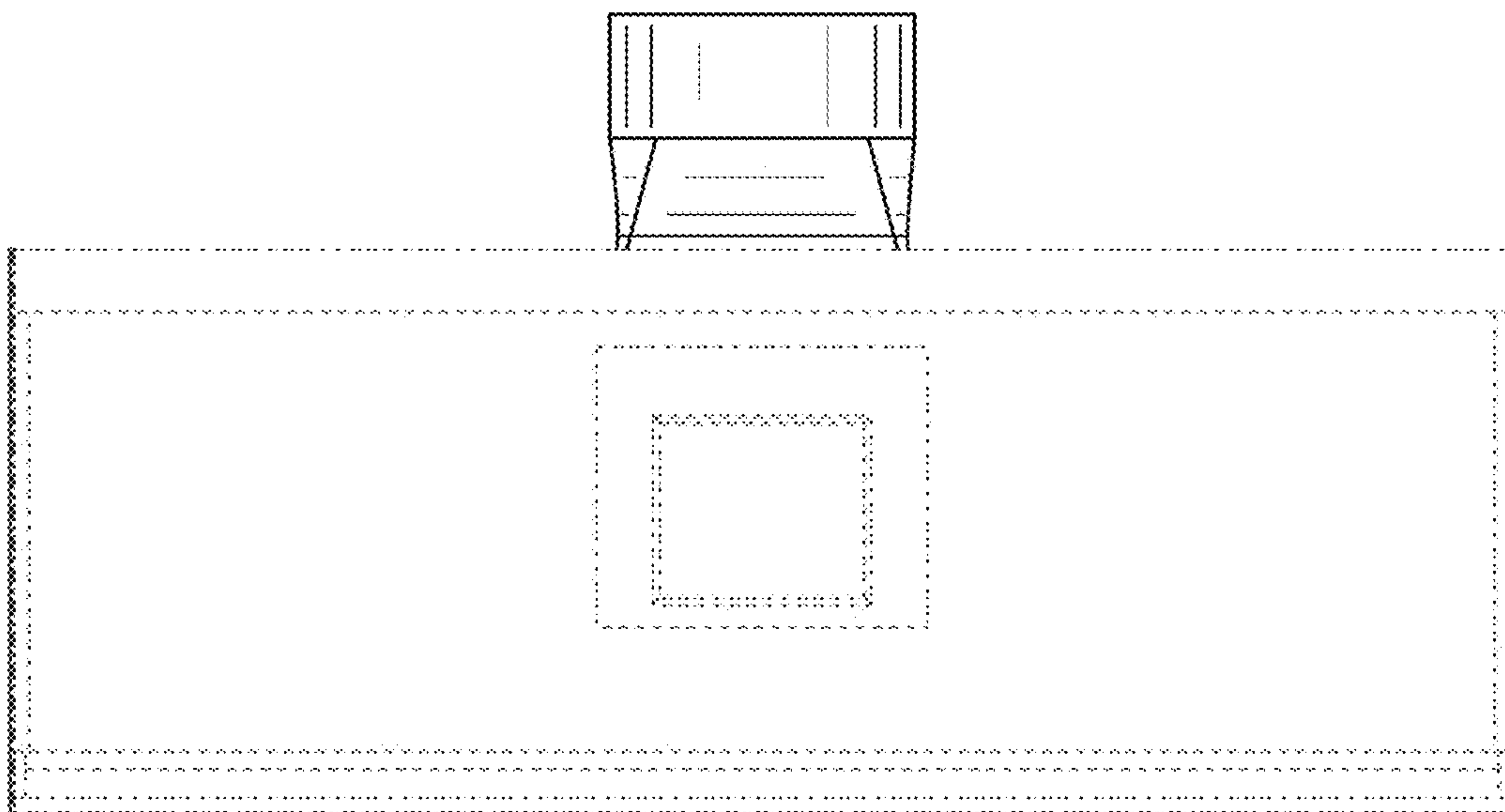


FIG. 4

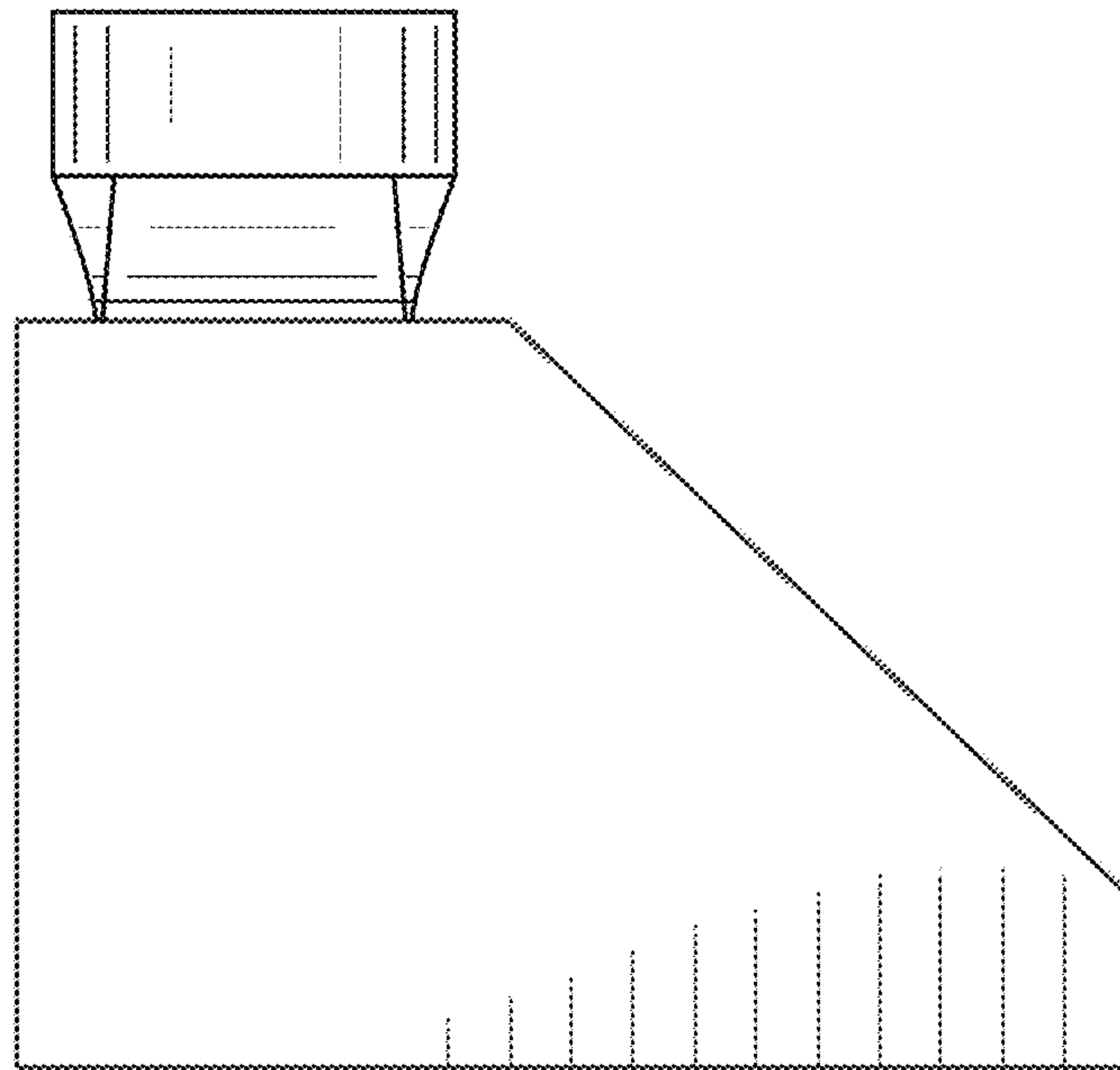


FIG. 5

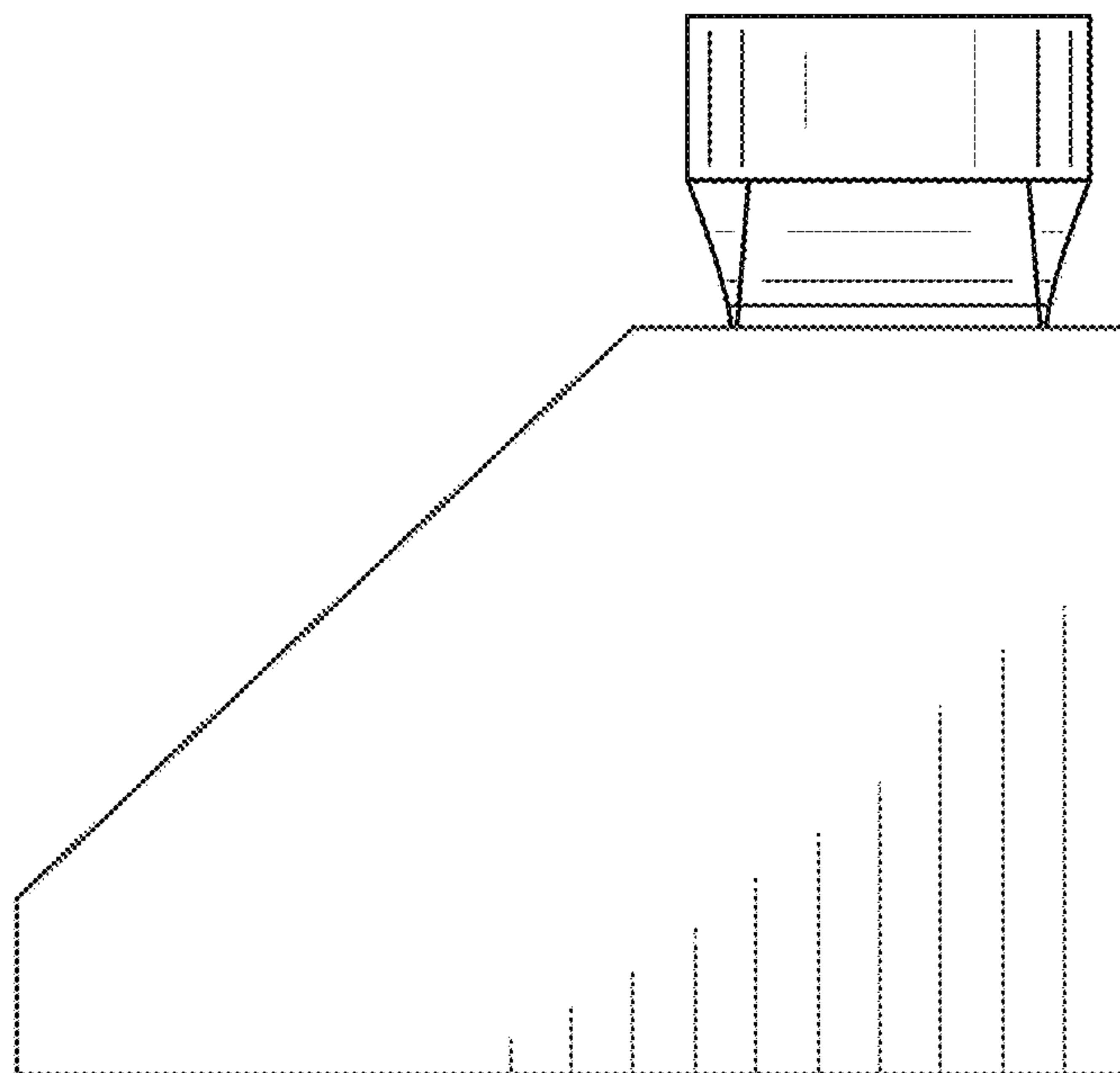


FIG. 6

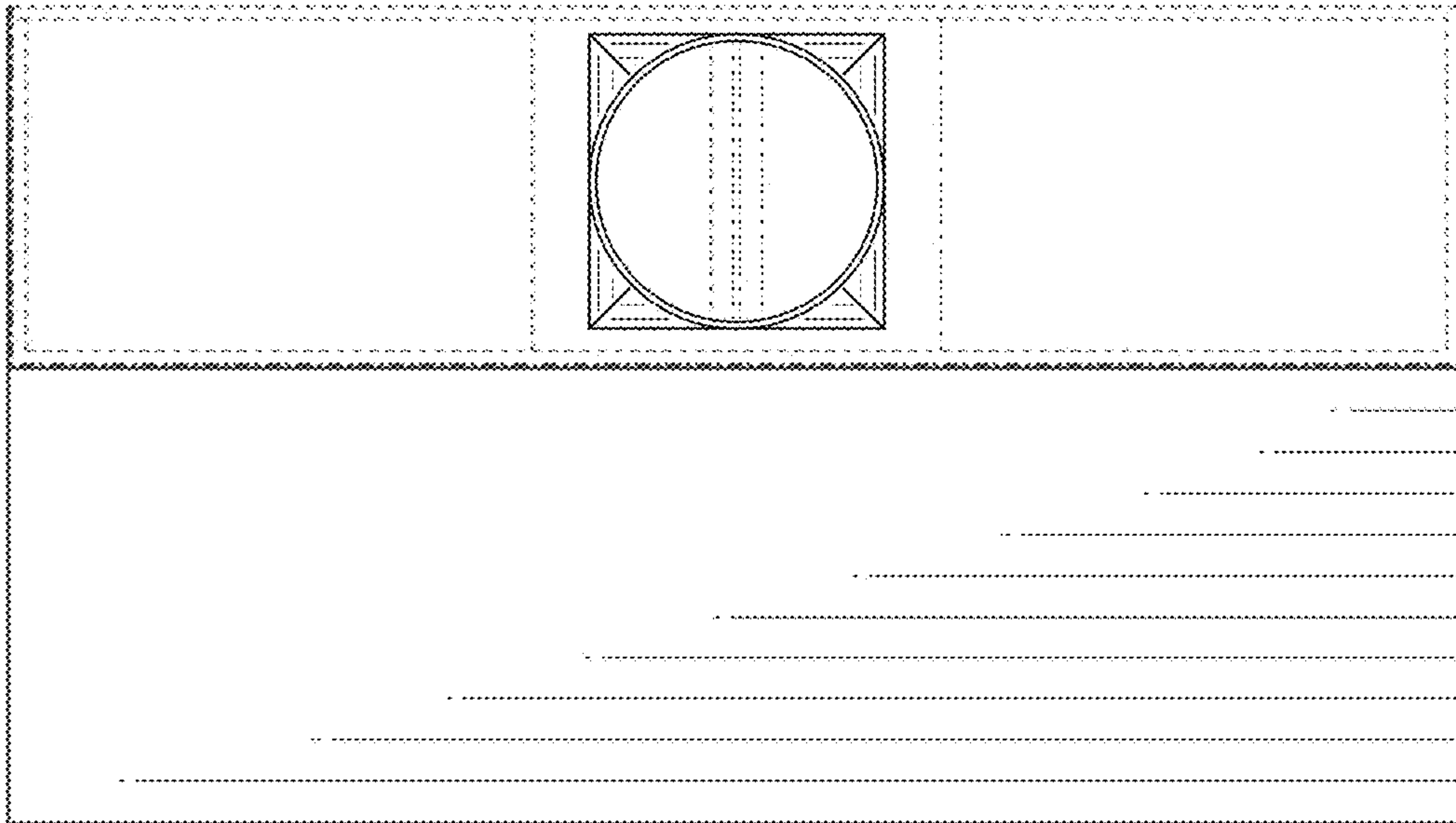


FIG. 7

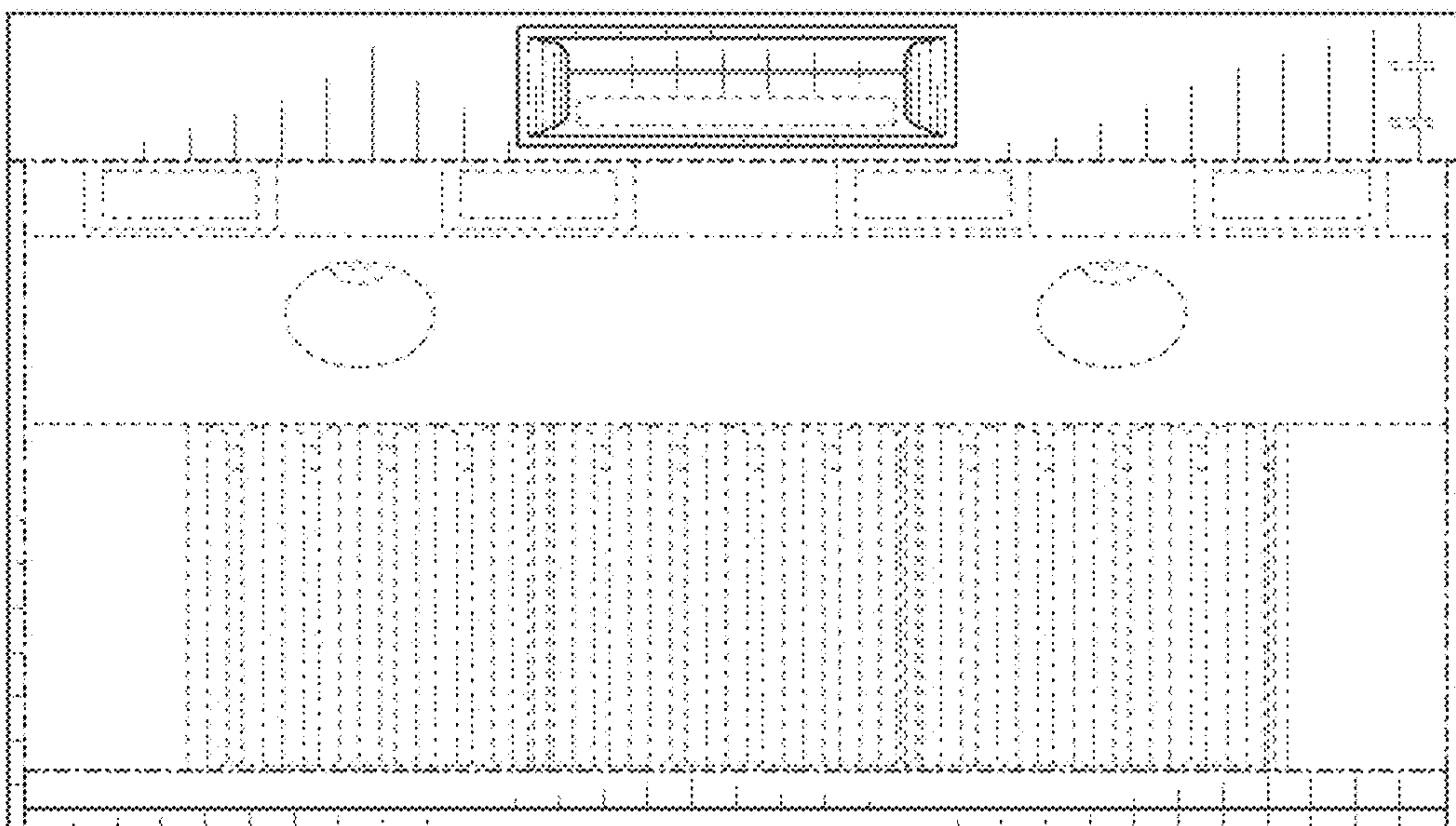


FIG. 8