

US00D867568S

(12) **United States Design Patent** (10) **Patent No.:** **US D867,568 S**
Gleixner et al. (45) **Date of Patent:** **** Nov. 19, 2019**

(54) **AIR FILTER**
(71) Applicant: **Briggs & Stratton Corporation**,
Wauwatosa, WI (US)
(72) Inventors: **Steven G. Gleixner**, Brookfield, WI
(US); **Robert S. Johnson**, New Berlin,
WI (US)
(73) Assignee: **Briggs & Stratton Corporation**,
Wauwatosa, WI (US)

D671,201 S * 11/2012 Yano D23/365
D672,447 S * 12/2012 Yano D23/365
D673,242 S * 12/2012 Rowe D23/209
D681,772 S * 5/2013 Obrecht D23/209
D685,897 S 7/2013 Drew
D698,017 S 1/2014 Modesto
D706,831 S 6/2014 Schultz
8,752,533 B2 6/2014 Schultz
D716,427 S 10/2014 Lim et al.
D731,634 S 6/2015 Page et al.
D735,293 S * 7/2015 Schwartz D23/209
D735,310 S 7/2015 Drew
D736,263 S 8/2015 Schultz

(Continued)

(**) Term: **15 Years**

(21) Appl. No.: **29/587,154**

(22) Filed: **Dec. 9, 2016**

(51) **LOC (12) Cl.** **23-04**

(52) **U.S. Cl.**
USPC **D23/365**

(58) **Field of Classification Search**
USPC D23/209, 235, 341, 358, 363–365;
D15/5
CPC F02M 35/04; F02M 35/10; F02M 35/024;
B01D 46/0002; B01D 46/10

See application file for complete search history.

(56) **References Cited**

U.S. PATENT DOCUMENTS

5,035,797 A * 7/1991 Janik B01D 27/08
210/232
D330,746 S * 11/1992 Zazulia D23/209
D437,401 S 2/2001 Ramos et al.
D548,307 S 8/2007 Reynolds et al.
D570,951 S * 6/2008 Morita D23/209
D636,859 S * 4/2011 Lundgren D23/365
D638,034 S 5/2011 Jiang et al.
D656,160 S 3/2012 Strommen et al.
8,167,966 B2 * 5/2012 Amirkhanian B01D 46/008
210/470
D666,704 S 9/2012 Osendorf et al.

OTHER PUBLICATIONS

U.S. Appl. No. 14/819,604, filed Aug. 6, 2015, Schultz, Michael.
(Continued)

Primary Examiner — Lakiya G Rogers

Assistant Examiner — John A Voytek

(74) *Attorney, Agent, or Firm* — Foley & Lardner LLP

(57) **CLAIM**

We claim the ornamental design for an air filter, as shown and described.

DESCRIPTION

FIG. 1 is a front perspective view from the right side of the air filter;

FIG. 2 is a front view of the air filter of FIG. 1;

FIG. 3 is a rear view of the air filter of FIG. 1;

FIG. 4 is a left side view of the air filter of FIG. 1;

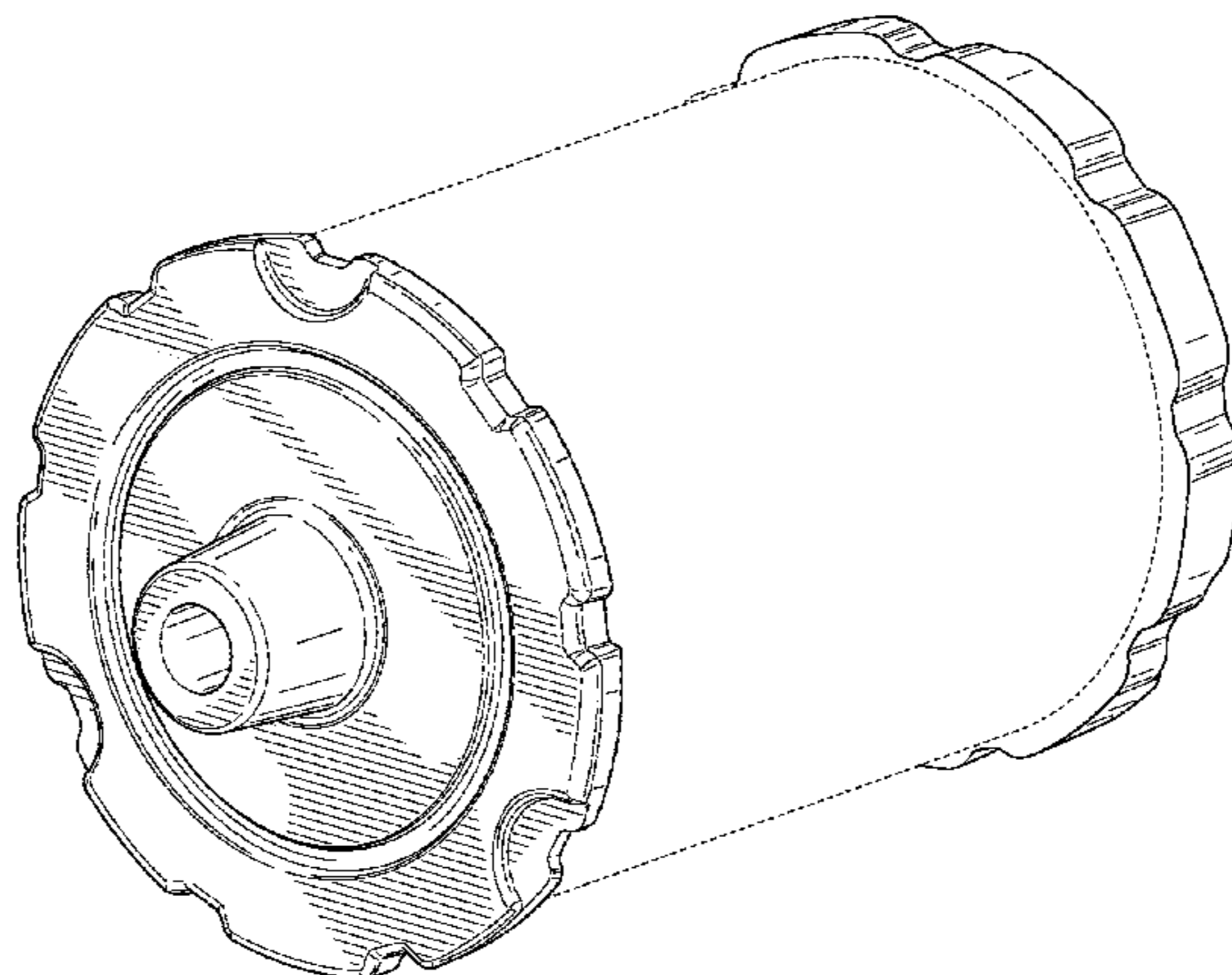
FIG. 5 is a right side view of the air filter of FIG. 1;

FIG. 6 is a top view of the air filter of FIG. 1; and,

FIG. 7 is a bottom view of the air filter of FIG. 1.

Any portion of the article depicted in broken lines forms no part of the claimed design. Broken lines formed by equal length dashes show unclaimed portions of the design.

1 Claim, 7 Drawing Sheets



(56)

References Cited

U.S. PATENT DOCUMENTS

9,103,303 B2 8/2015 Schultz
9,387,425 B2 7/2016 Osendorf et al.
D762,834 S 8/2016 Kaufmann et al.
D770,592 S * 11/2016 Schwartz D23/209
D773,014 S * 11/2016 Pale D23/209
D782,000 S * 3/2017 Morris D23/209
D792,942 S * 7/2017 Adey B03C 1/286
D23/209
D793,523 S * 8/2017 Adey B01D 21/0009
D23/209
D810,232 S * 2/2018 Schwartz D23/209
D817,440 S * 5/2018 Lossie D23/209
10,052,575 B2 8/2018 Downs et al.
2006/0111037 A1 5/2006 Poirier et al.
2012/0060453 A1 * 3/2012 Holzmann B01D 46/0005
55/480

OTHER PUBLICATIONS

U.S. Appl. No. 15/152,709, filed May 12, 2016, Sullivan et al.
U.S. Appl. No. 15/274,707, filed Sep. 23, 2016, Schultz, Michael.
U.S. Appl. No. 29/564,325, filed May 12, 2016, Sullivan et al.
U.S. Appl. No. 62/421,098, filed Nov. 11, 2016, Gleixner et al.

* cited by examiner

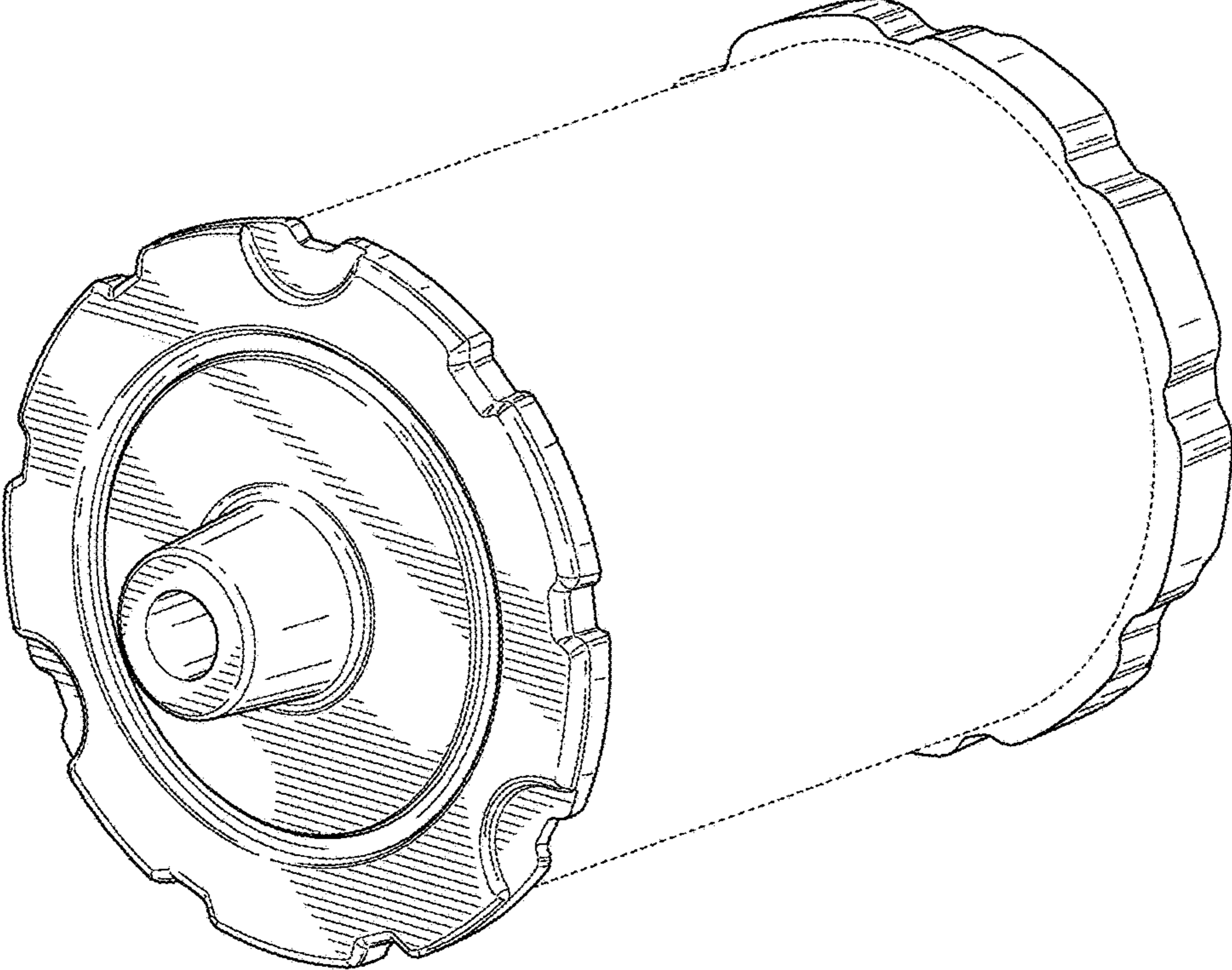


FIG. 1

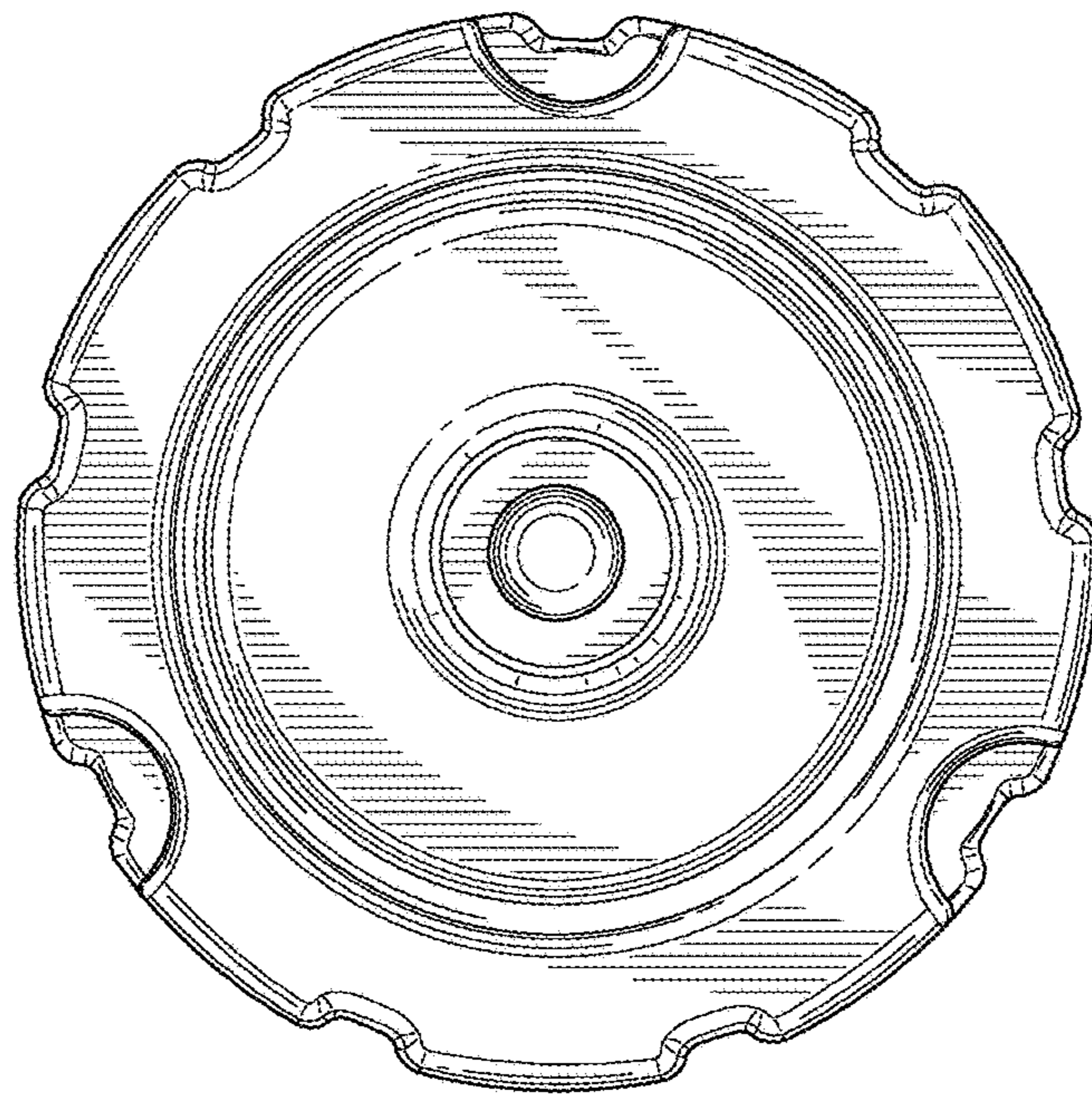


FIG. 2

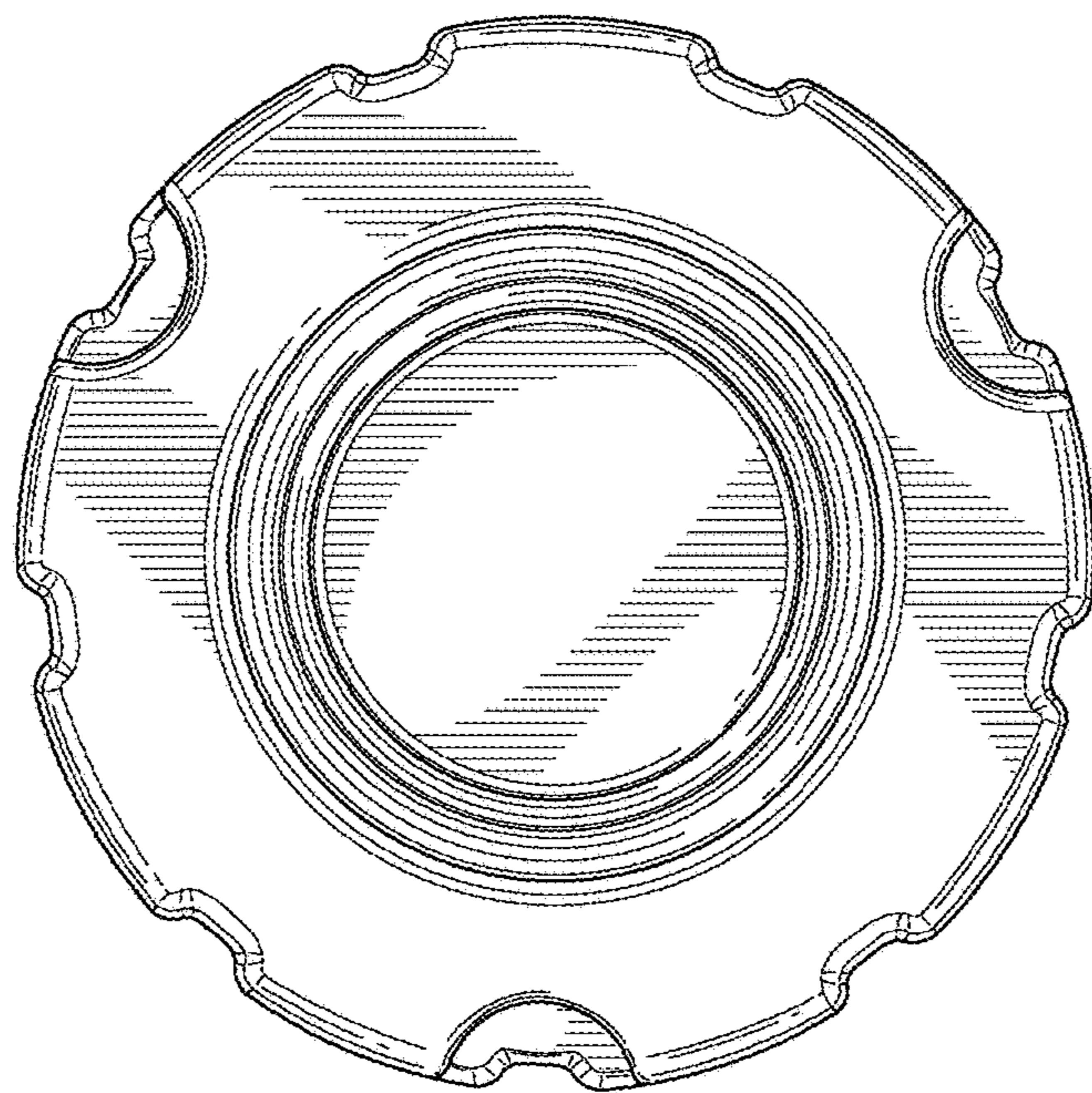


FIG. 3

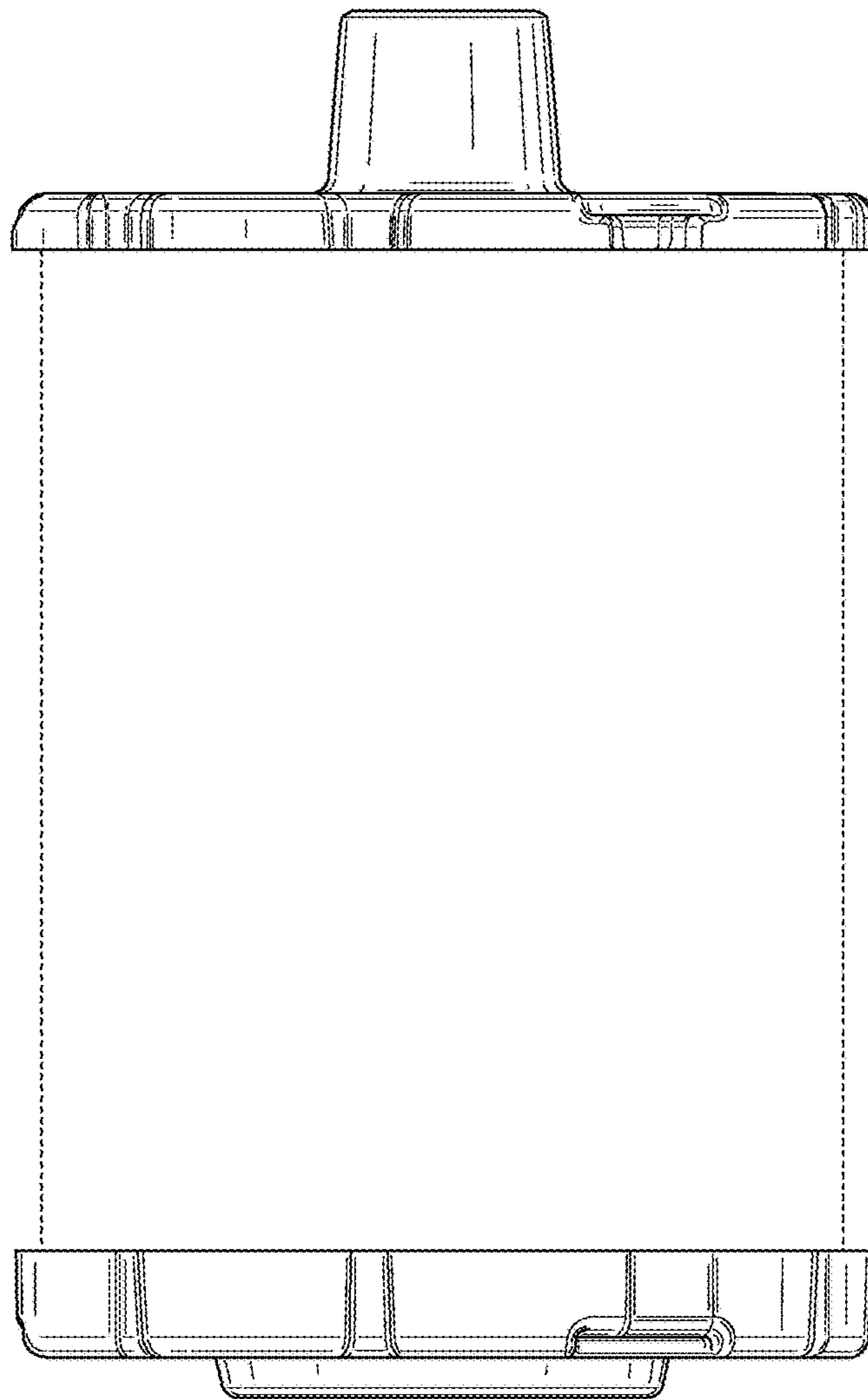


FIG. 4

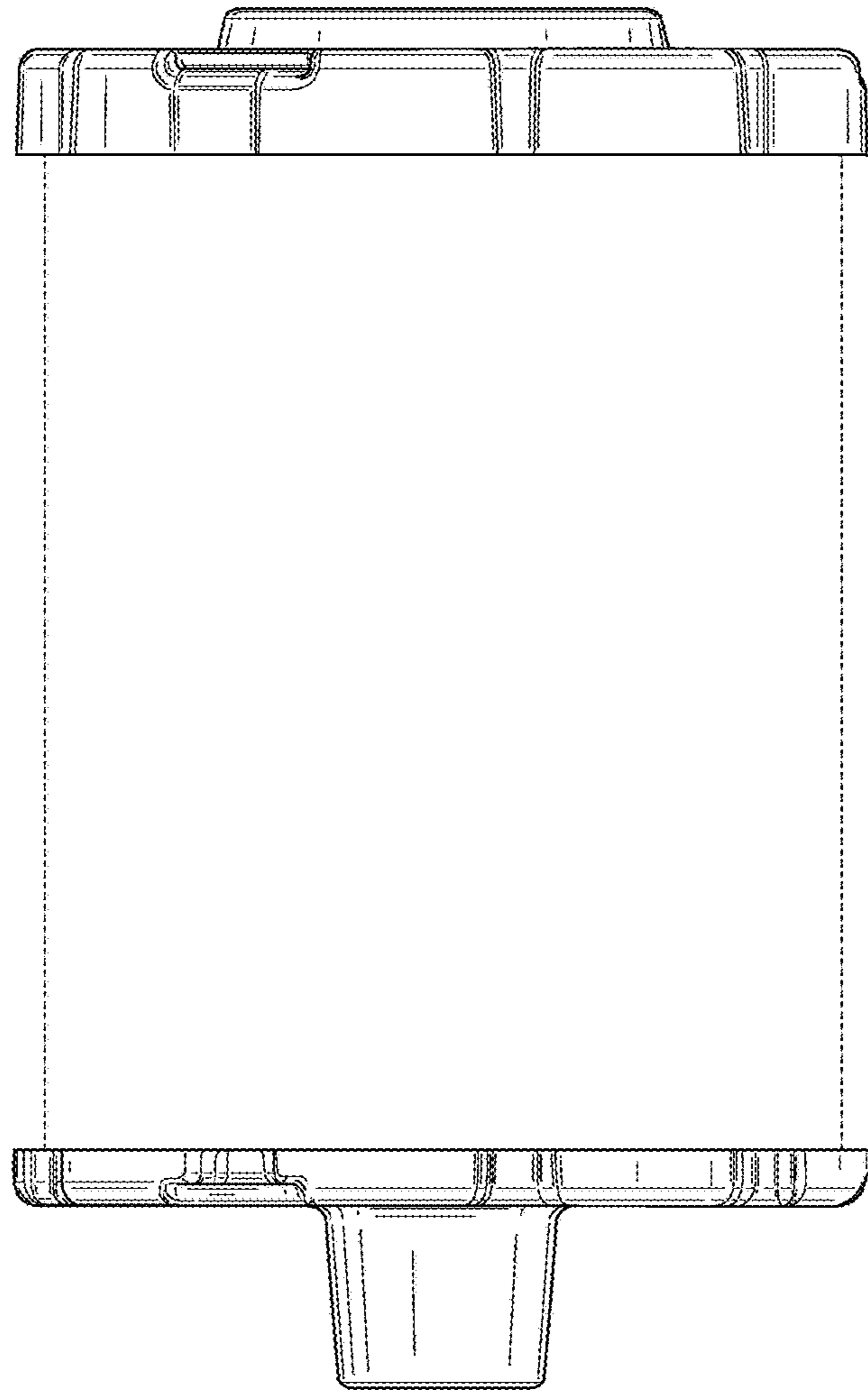


FIG. 5

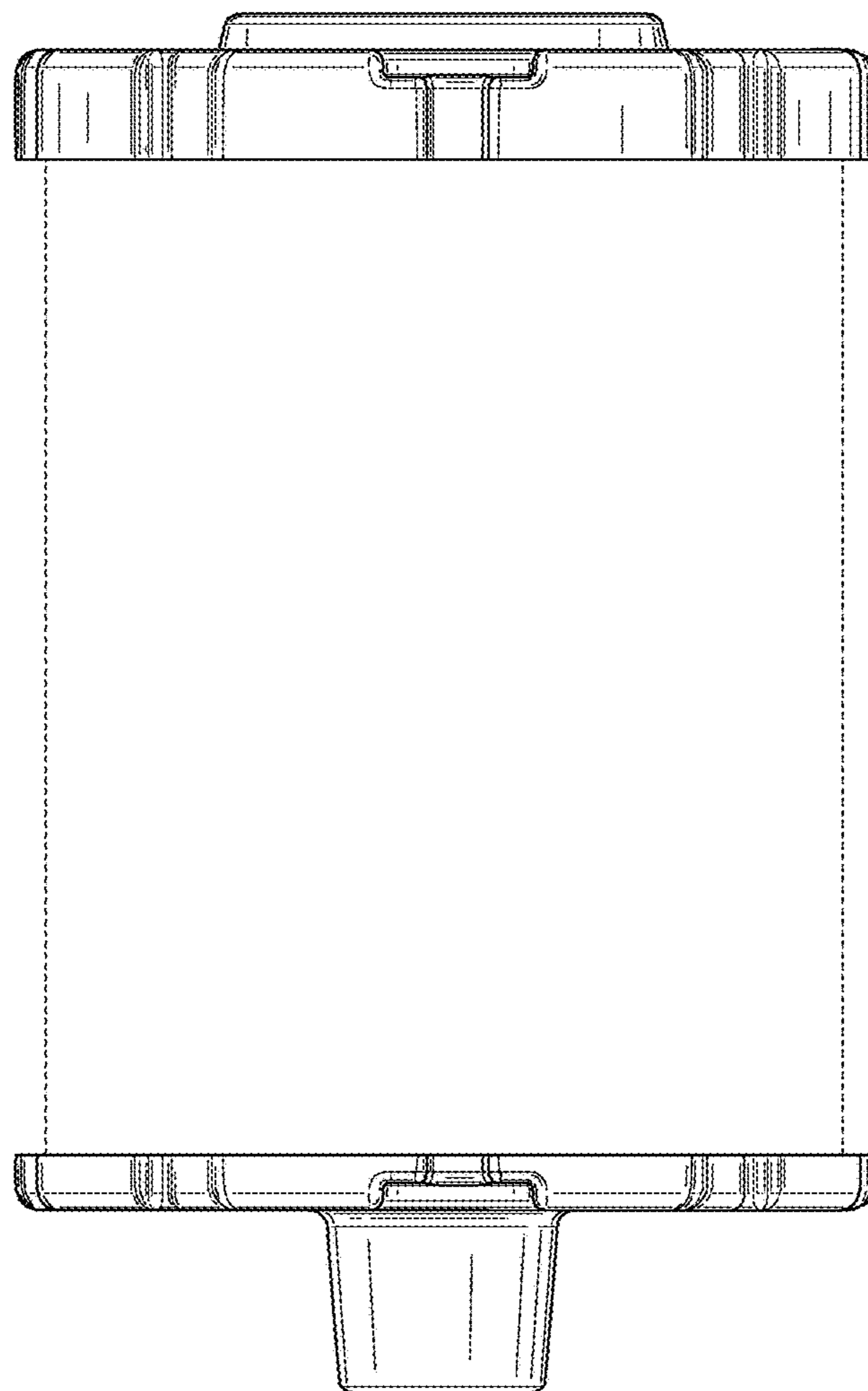


FIG. 6

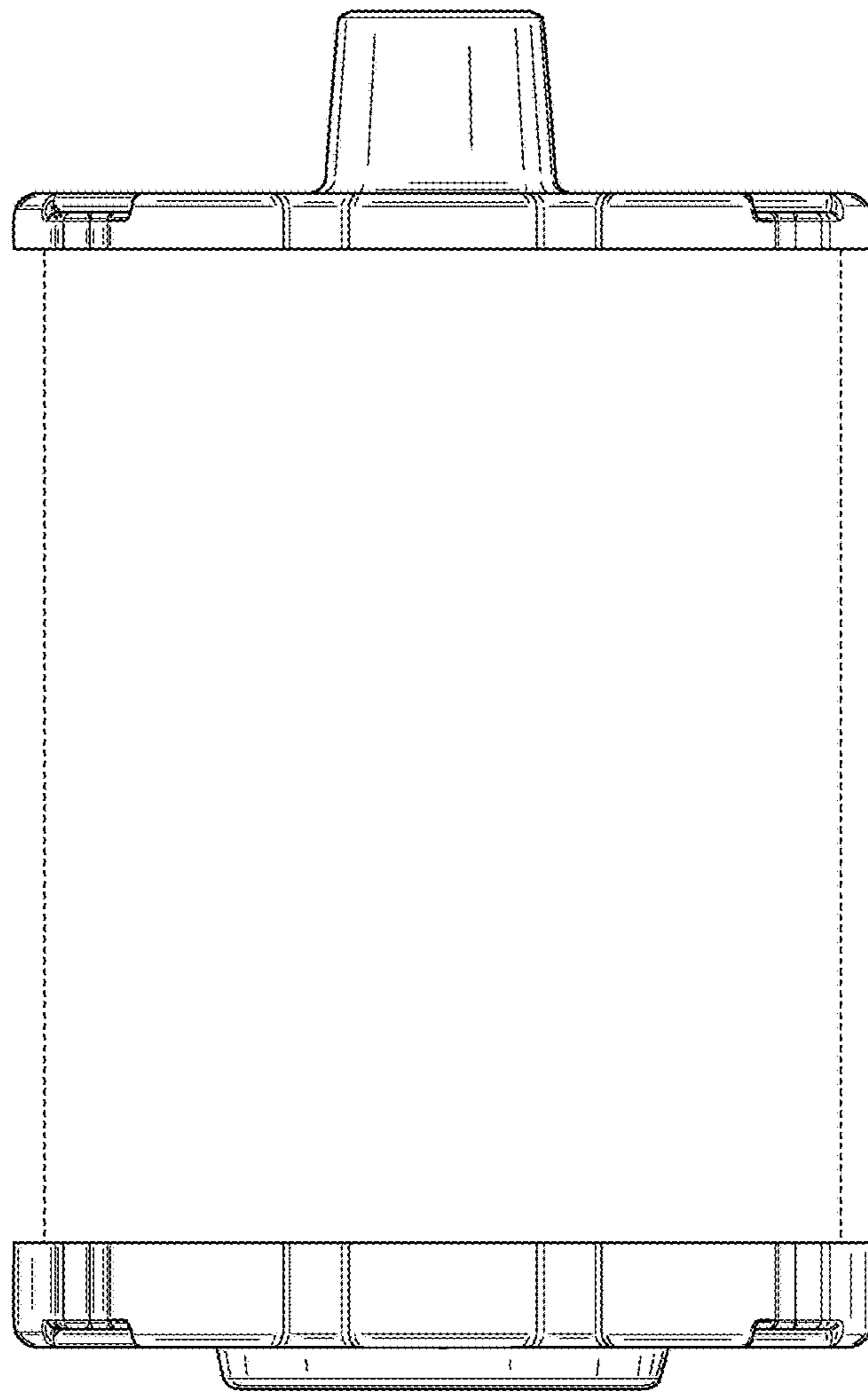


FIG. 7