



US00D867567S

(12) **United States Design Patent** (10) **Patent No.:** **US D867,567 S**
Han et al. (45) **Date of Patent:** **** Nov. 19, 2019**

(54) **STAND FOR AIR PURIFIER**

(71) Applicant: **LG ELECTRONICS INC.**, Seoul (KR)

(72) Inventors: **Yoojeung Han**, Seoul (KR); **Huijae Kwon**, Seoul (KR); **Seungho Baek**, Seoul (KR); **Kyeongchul Cho**, Seoul (KR)

(73) Assignee: **LG ELECTRONICS INC.**, Seoul (KR)

(**) Term: **15 Years**

(21) Appl. No.: **35/505,918**

(22) Filed: **Apr. 20, 2018**

(80) **Hague Agreement Data**

Int. Filing Date: **Apr. 20, 2018**

Int. Reg. No.: **DM/100903**

Int. Reg. Date: **Apr. 20, 2018**

Int. Reg. Pub. Date: **Oct. 26, 2018**

(51) **LOC (12) Cl.** **23-02**

(52) **U.S. Cl.**
USPC **D23/364**

(58) **Field of Classification Search**
USPC D23/332, 333, 335, 336, 342, 351, D23/355-366

CPC F24F 11/30; F24F 11/62; F24F 2110/10; F24F 11/46; F24F 11/56; F24F 2110/00; F24F 11/58; F24F 2140/60; F24F 11/52; F24F 11/32; F24F 11/63; F24F 11/64; F24F 2006/008; F24F 3/14; F24F 11/59; F24F 11/70; F24F 11/83; F24F 13/28; F24F 1/0007; F24F 2110/20; F24F 2120/10; F24F 2120/20; F24F 2140/50; F24F 11/0001; F24F 11/54; F24F 11/61; F24F 11/76; F24F 11/85; F24F 11/88; F24F 11/89; F24F 13/20; F24F 13/24; F24F 1/02; F24F 1/022; F24F 1/08; F24F 1/12; F24F 1/32; F24F 2006/046; F24F

2110/70; F24F 2120/12; F24F 2120/14; F24F 2130/00; F24F 2130/10; F24F 2130/30; F24F 2221/12; F24F 3/147; F24F 3/1603; F24F 5/0035; F24F 6/02; F24F 6/04; F24F 6/043; F24F 6/10; F24F 6/12; F24F 6/14; F24F 7/08

See application file for complete search history.

(56) **References Cited**

U.S. PATENT DOCUMENTS

| | | | | | | |
|----------|---|---|---------|-----------|-------|----------|
| D251,833 | S | * | 5/1979 | Maza | | D34/23 |
| D309,811 | S | * | 8/1990 | Terrizzi | | D34/23 |
| D349,995 | S | * | 8/1994 | Cassel | | D34/23 |
| D381,171 | S | * | 7/1997 | Culverson | | D34/23 |
| D389,973 | S | * | 1/1998 | Murray | | 280/79.3 |
| D549,920 | S | * | 8/2007 | Dukes | | D34/23 |
| D629,580 | S | * | 12/2010 | Kalajyan | | D34/17 |
| D711,614 | S | * | 8/2014 | Shitrit | | D34/23 |
| D739,483 | S | * | 9/2015 | Aller | | D21/686 |
| D795,365 | S | * | 8/2017 | Peritz | | D21/689 |
| D828,671 | S | * | 9/2018 | Cope | | D34/23 |

(Continued)

Primary Examiner — Khawaja Anwar

(74) *Attorney, Agent, or Firm* — Birch, Stewart, Kolasch & Birch, LLP

(57) **CLAIM**

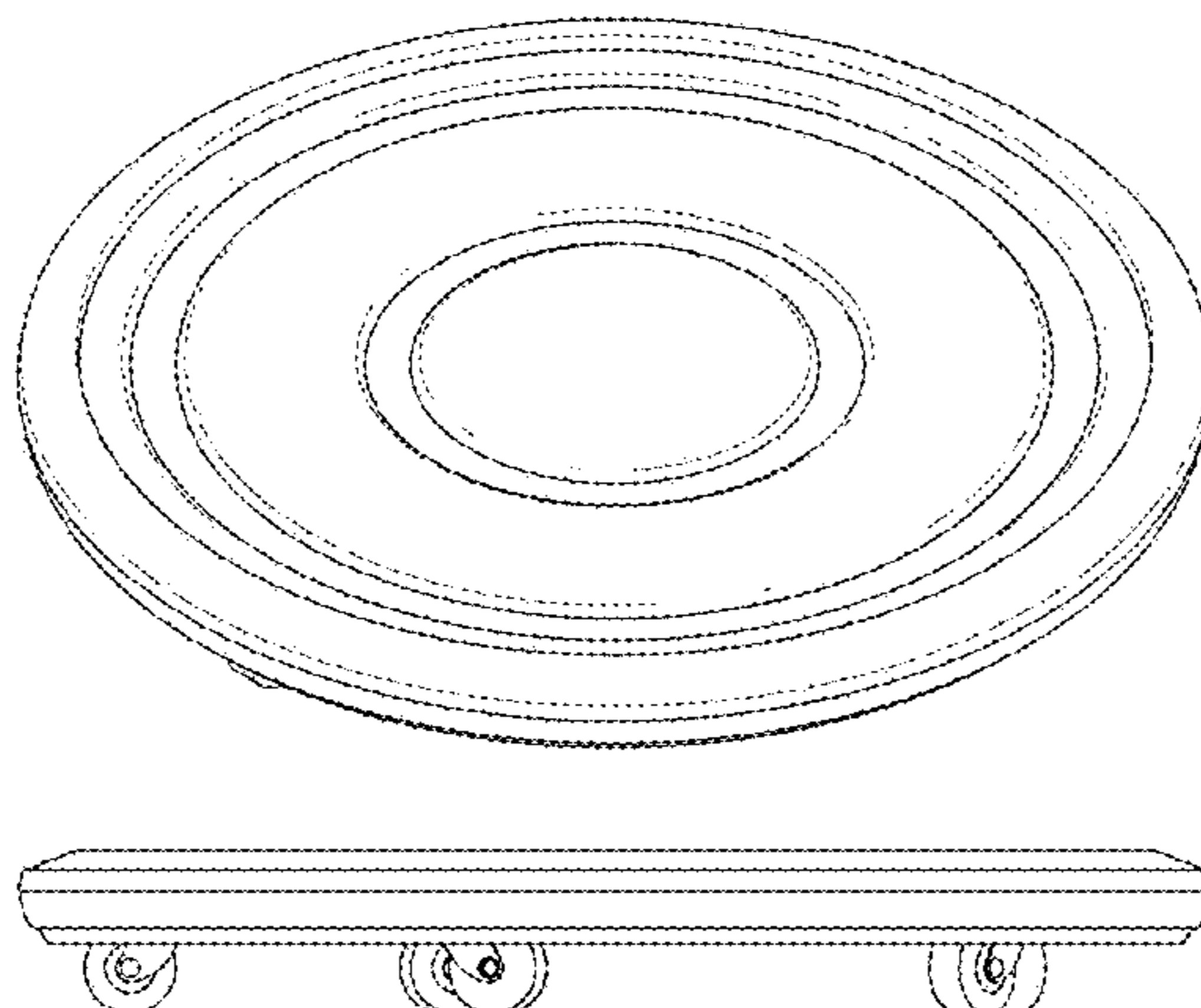
The ornamental design for a stand for air purifier, as shown and described.

DESCRIPTION

1. Stand for air purifier
- 1.1 : Perspective
- 1.2 : Front
- 1.3 : Back
- 1.4 : Left
- 1.5 : Right
- 1.6 : Top
- 1.7 : Bottom

The broken lines indicate unclaimed portions of the article that form no part of the claimed design.

1 Claim, 7 Drawing Sheets



(56)

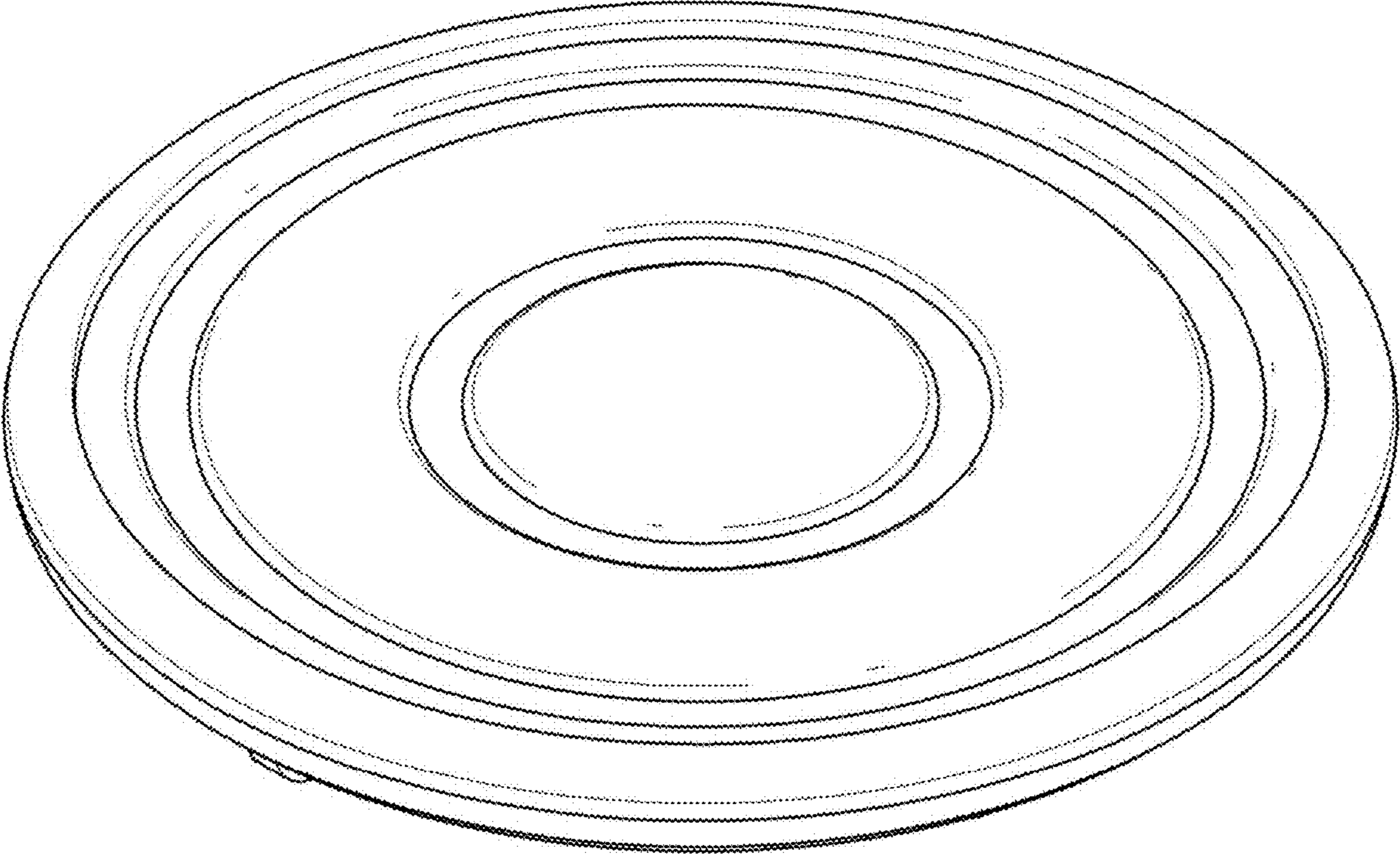
References Cited

U.S. PATENT DOCUMENTS

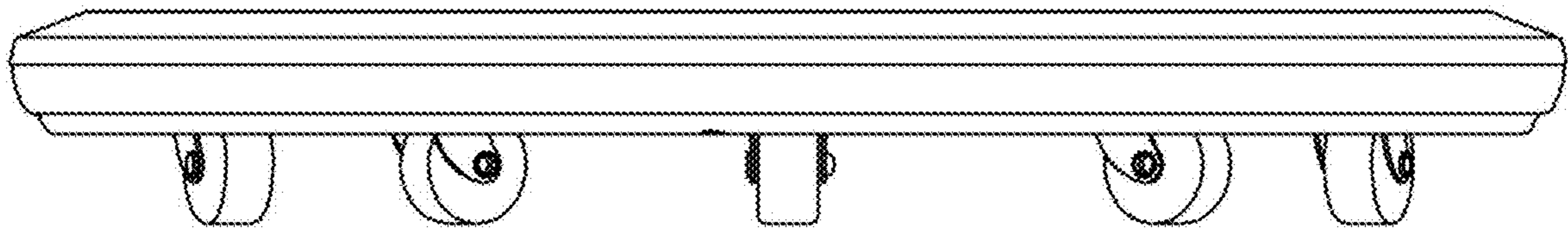
2010/0267533 A1* 10/2010 Susnjara A63B 21/0004
482/142
2011/0105288 A1* 5/2011 Susnjara A63B 21/0004
482/142

* cited by examiner

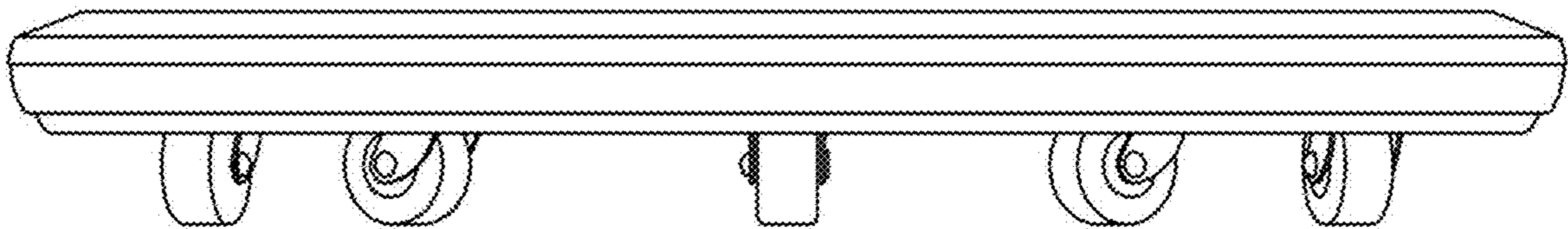
1.1



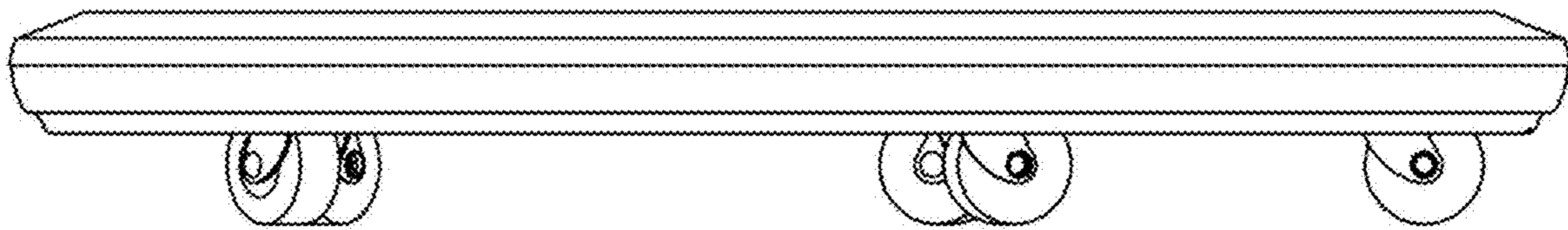
1.2



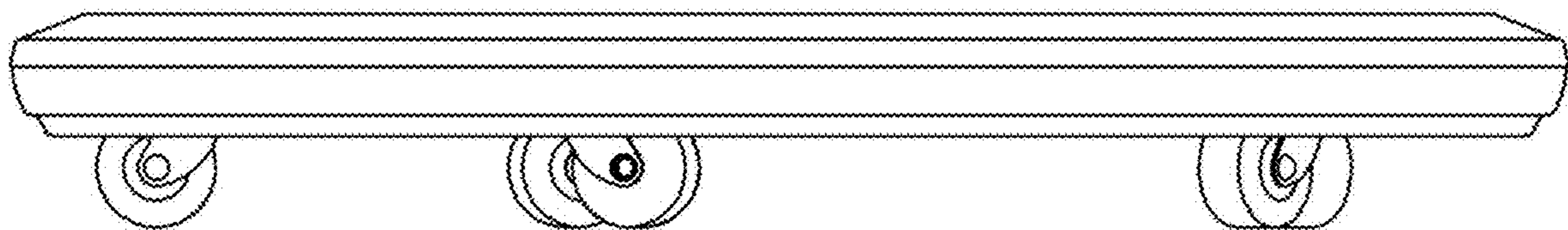
1.3



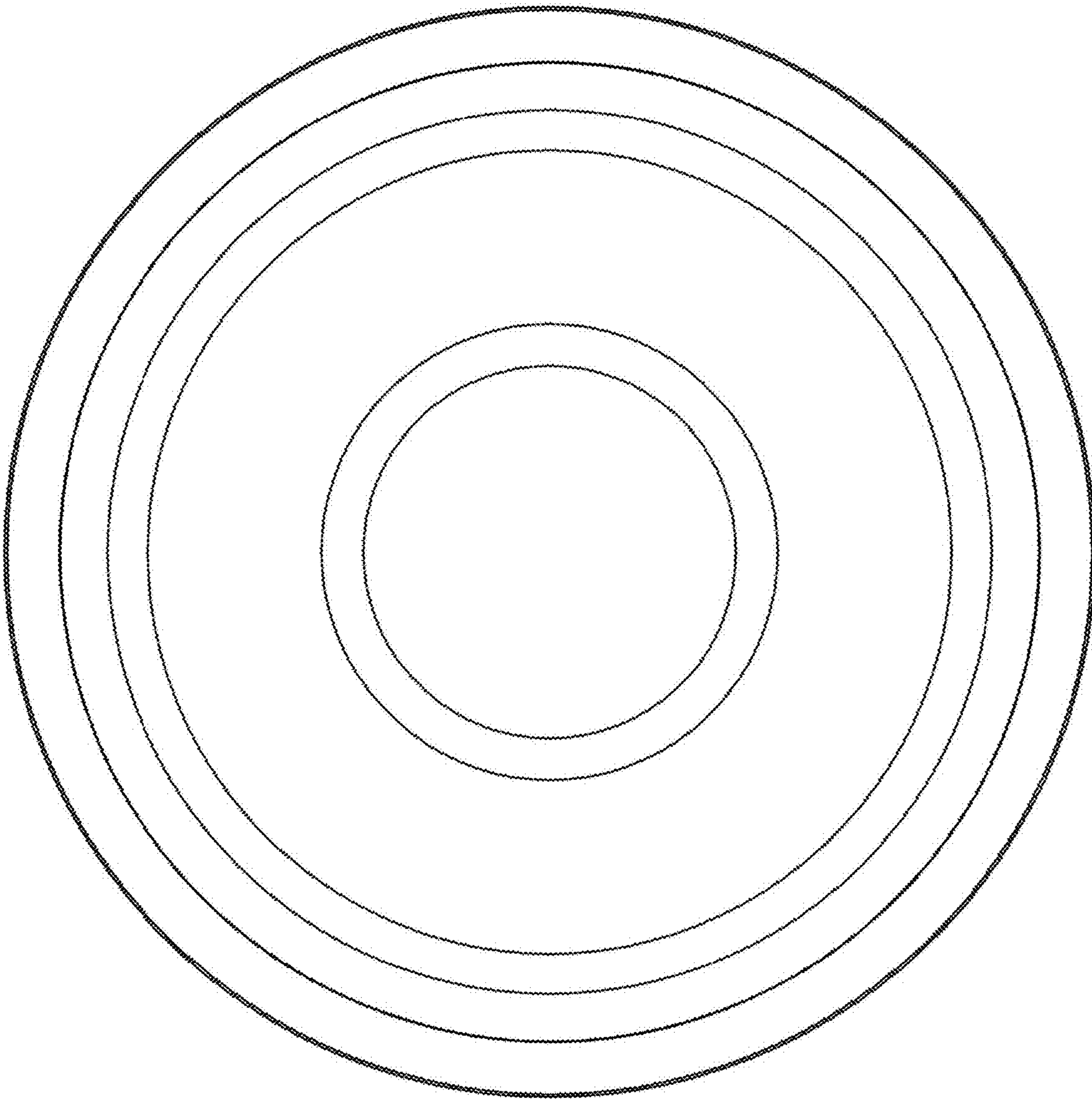
1.4



1.5



1.6



1.7

