

US00D867564S

(12) **United States Design Patent** (10) **Patent No.:** **US D867,564 S**
Rejkowski et al. (45) **Date of Patent:** **** Nov. 19, 2019**

(54) **ACCESSORY MOUNT FOR VEHICLE HEATING AND AIR CONDITIONING SYSTEMS**

(71) Applicants: **Michael W Rejkowski**, Irving, TX (US); **Stephen J Sexton**, McKinney, TX (US)

(72) Inventors: **Michael W Rejkowski**, Irving, TX (US); **Stephen J Sexton**, McKinney, TX (US)

(73) Assignee: **Classic Auto Air Manufacturing LP**, Beachwood, OH (US)

(**) Term: **15 Years**

(21) Appl. No.: **29/630,325**

(22) Filed: **Dec. 20, 2017**

(51) **LOC (12) Cl.** **12-16**

(52) **U.S. Cl.**
USPC **D23/324**

(58) **Field of Classification Search**
USPC D23/324, 325, 327, 393, 386; D12/415, D12/190, 192, 195; D8/349, 350, 353
CPC B60H 1/00542; B60H 1/0055; B60H 1/00357; B60H 1/00271; B60H 1/34; B60H 1/3407; B60H 1/3442; B60H 1/3428

See application file for complete search history.

(56) **References Cited**

U.S. PATENT DOCUMENTS

D123,418 S *	11/1940	Pellegrin	D8/350
D192,805 S *	5/1962	Grieshaber	D8/350
D194,159 S *	11/1962	Russell et al.	D8/353
6,066,225 A *	5/2000	Lopes	B29C 45/1671
				156/245
D445,049 S *	7/2001	Lee	D10/103

6,315,354 B1 *	11/2001	Tani	B60H 1/00207
				296/208
D451,590 S *	12/2001	Webb	D23/393
D451,591 S *	12/2001	Webb	D23/393
6,464,579 B1 *	10/2002	Salazar	F24F 13/065
				454/202
6,508,704 B1 *	1/2003	Wilson	F24F 13/082
				454/277
D723,144 S *	2/2015	Rejkowski	D23/324
2004/0046424 A1 *	3/2004	Nakajima	B60H 1/00542
				296/208

(Continued)

Primary Examiner — T Chase Nelson

Assistant Examiner — Ania Aman

(57) **CLAIM**

The ornamental design for an accessory mount for vehicle heating and air conditioning systems, as shown and described.

DESCRIPTION

FIG. 1 is a perspective front view of an accessory mount for vehicle heating and air conditioning systems showing our new design;

FIG. 2 is a top plan view of the accessory mount for vehicle heating and air conditioning systems of FIG. 1;

FIG. 3 is a front elevation view of the accessory mount for vehicle heating and air conditioning systems of FIG. 1;

FIG. 4 is a right side elevation view of the accessory mount for vehicle heating and air conditioning systems of FIG. 1;

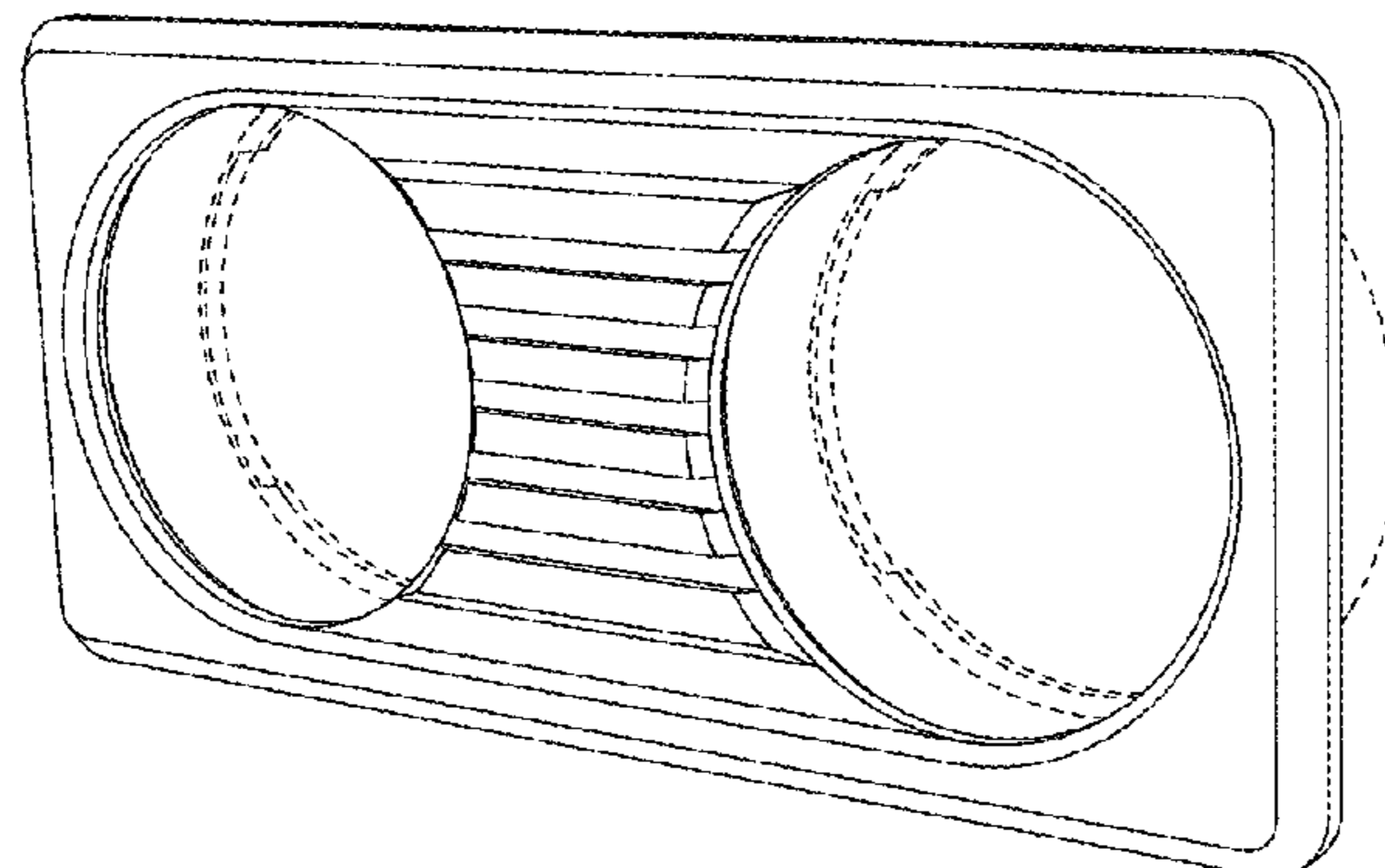
FIG. 5 is a left side elevation view of the accessory mount, for vehicle heating and air conditioning systems of FIG. 1;

FIG. 6 is a bottom plan view of the accessory mount for vehicle heating and air conditioning systems of FIG. 1; and,

FIG. 7 is a rear elevation view of the accessory mount for vehicle heating and air conditioning systems of FIG. 1.

In the drawings, the broken lines depict unclaimed subject matter only and form no part of the claimed design.

1 Claim, 2 Drawing Sheets



(56)

References Cited

U.S. PATENT DOCUMENTS

2006/0175422 A1* 8/2006 Hall H01H 19/11
236/91 D

* cited by examiner

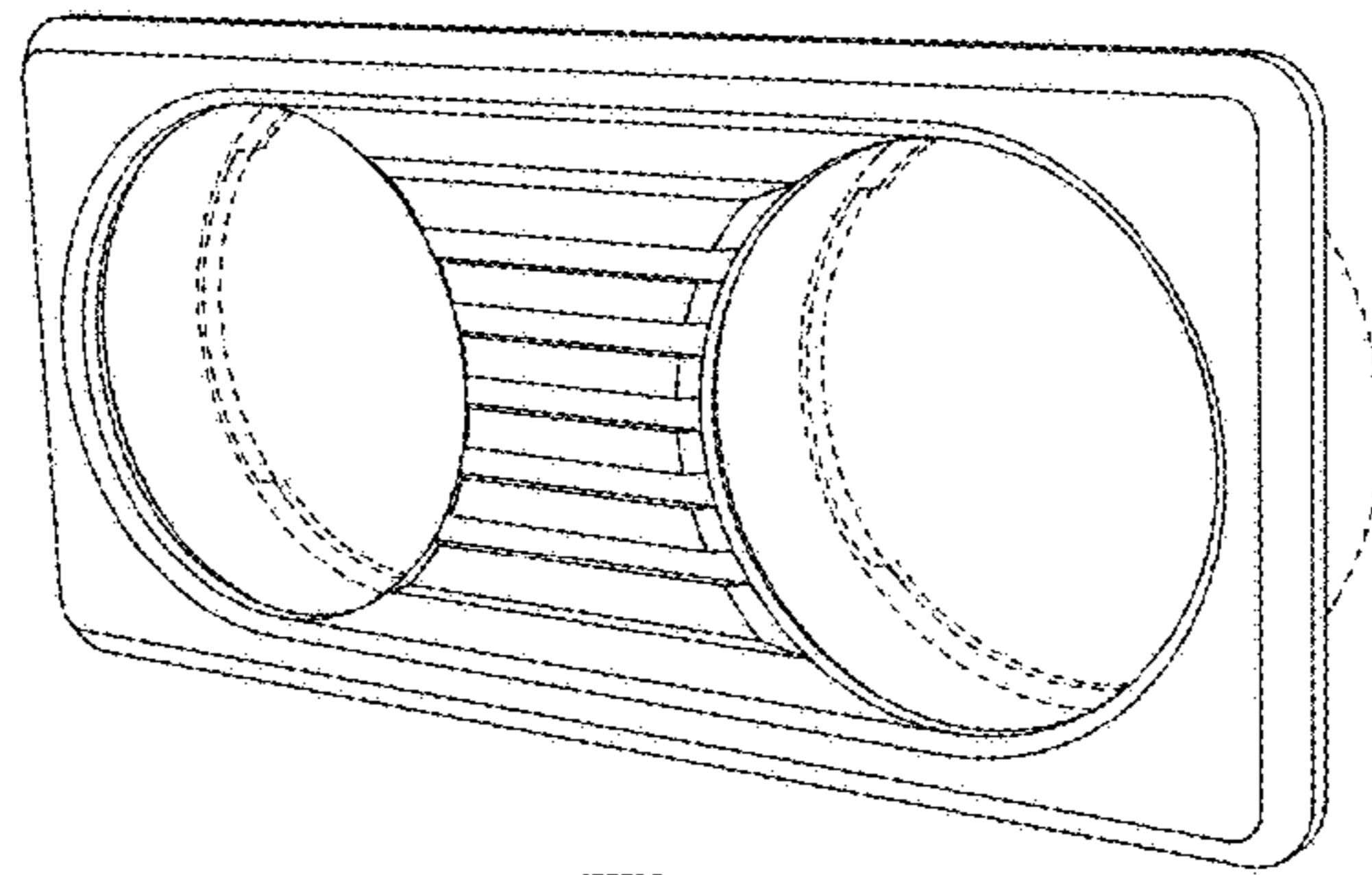


Fig.1

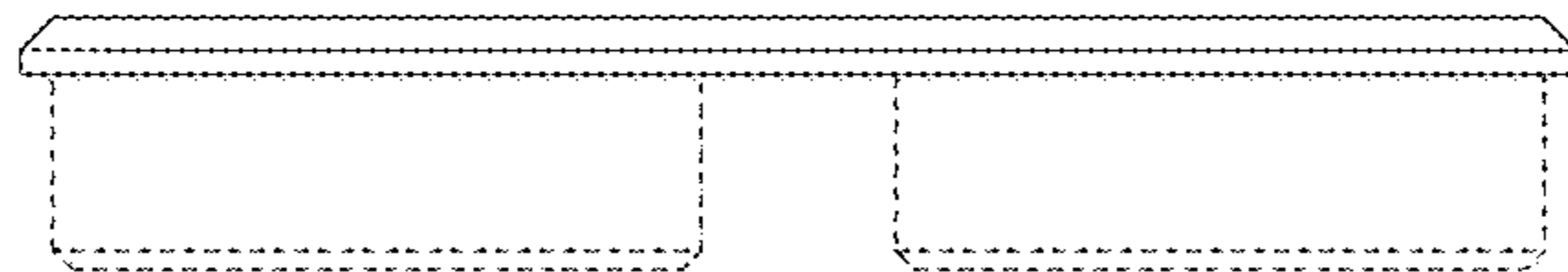


Fig.2

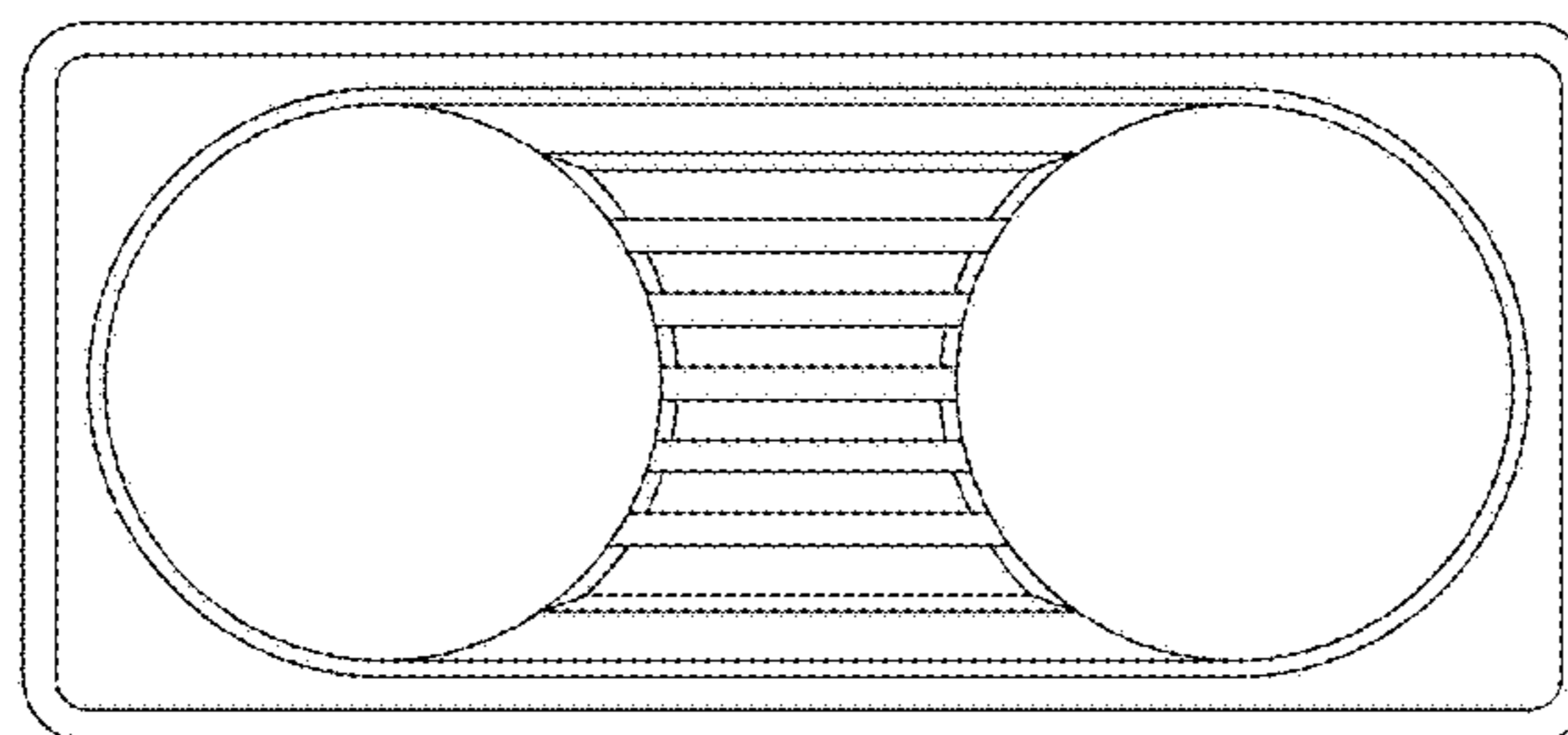


Fig.3

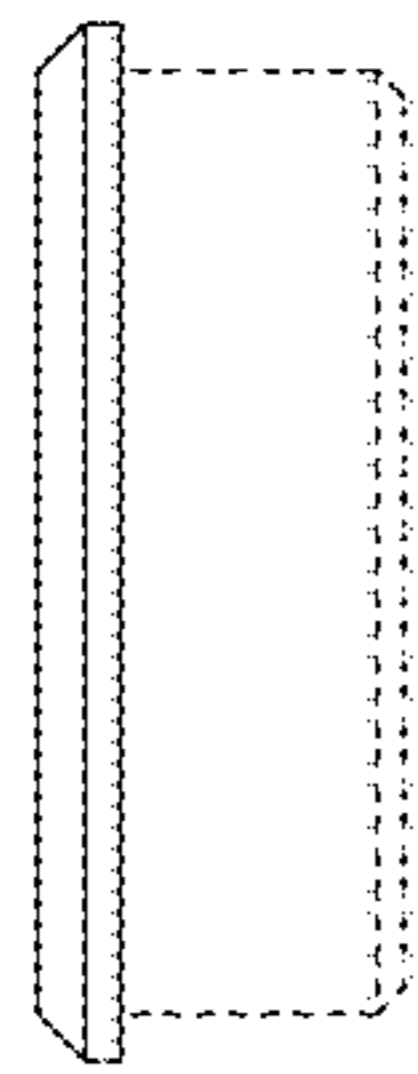


Fig.4

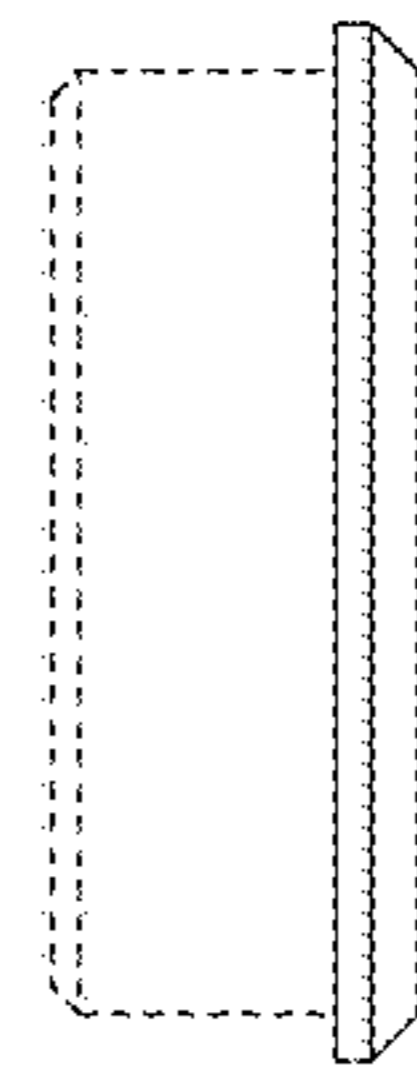


Fig.5

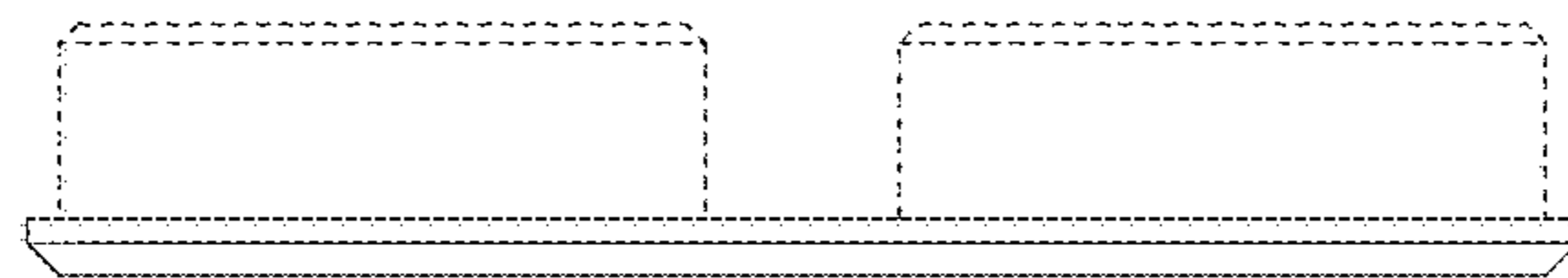


Fig.6

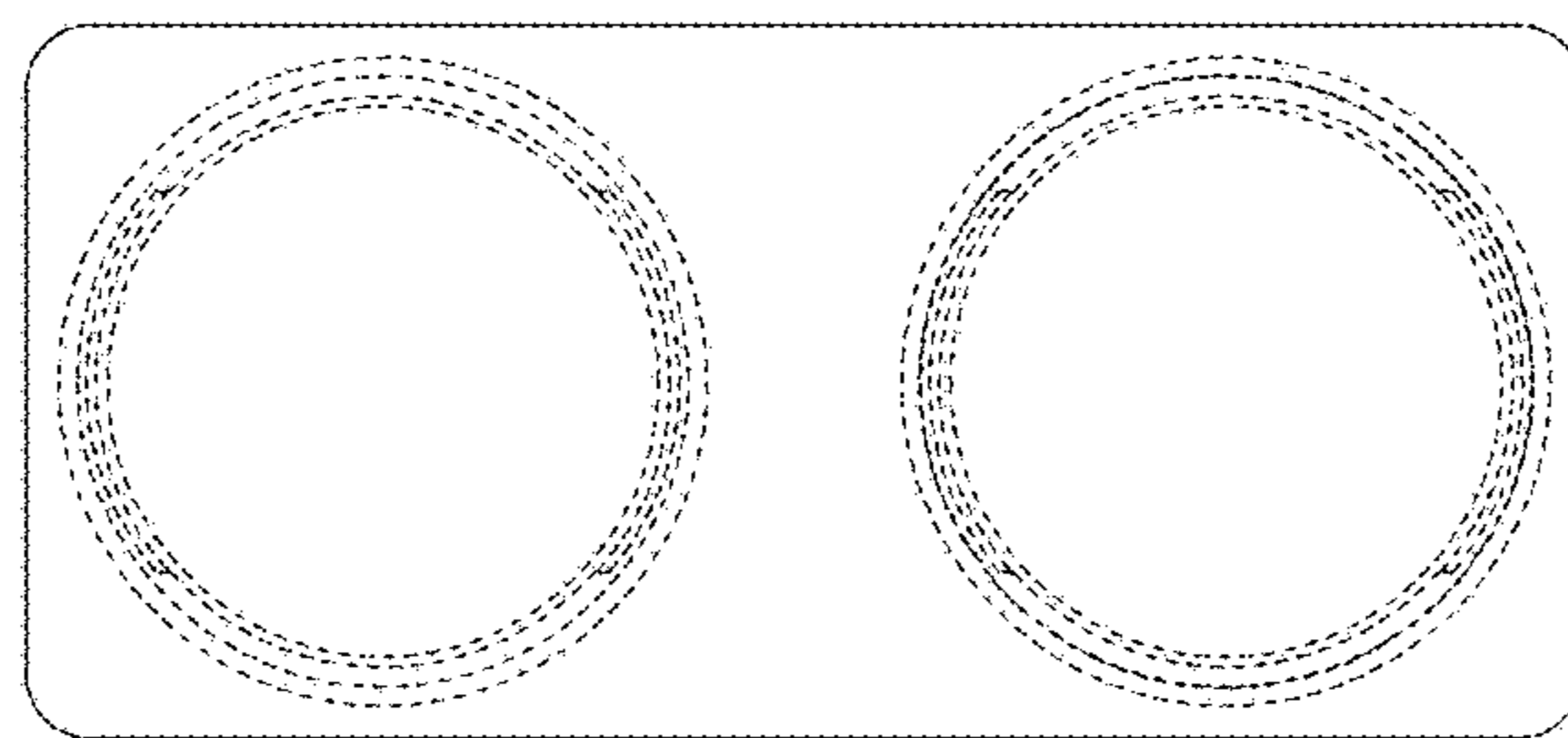


Fig.7