



US00D867562S

(12) **United States Design Patent** (10) **Patent No.:** **US D867,562 S**
Rejkowski et al. (45) **Date of Patent:** **** Nov. 19, 2019**

(54) **ACCESSORY FOR VEHICLE HEATING AND AIR CONDITIONING SYSTEMS**

(71) Applicants: **Michael W. Rejkowski**, Irving, TX (US); **Stephen J Sexton**, McKinney, TX (US)

(72) Inventors: **Michael W. Rejkowski**, Irving, TX (US); **Stephen J Sexton**, McKinney, TX (US)

(73) Assignee: **Classic Auto Air Manufacturing LP**, Cleveland, OH (US)

(**) Term: **15 Years**

(21) Appl. No.: **29/539,300**

(22) Filed: **Sep. 11, 2015**

(51) **LOC (12) Cl.** **12-07**

(52) **U.S. Cl.**
USPC **D23/324**

(58) **Field of Classification Search**
USPC D23/327, 324, 352, 326; D12/192
CPC .. F24F 7/00; F24F 7/013; F24F 13/082; F24F 13/10; F24F 13/16; B64D 2013/003; B60H 1/00464; B60H 1/3435; B60H 1/00564; B60H 1/00842; B60H 1/3414; B60H 1/0075; B60H 1/34; B60H 1/3442; B60H 1/3407; B60H 1/345

See application file for complete search history.

(56) **References Cited**

U.S. PATENT DOCUMENTS

2,516,805 A *	7/1950	Rother	B64D 13/00
				454/76
3,319,560 A *	5/1967	Schaaf	B60H 1/3442
				239/582.1
3,432,142 A *	3/1969	Ludford	B60H 1/3442
				251/212
5,065,667 A	11/1991	Zegler		

5,220,805 A	6/1993	Fukudomi
5,700,191 A	12/1997	Nieling et al.
5,797,791 A	8/1998	Humphrey et al.
5,967,891 A	10/1999	Riley et al.
6,066,225 A	5/2000	Lopes
D445,049 S	7/2001	Lee
6,378,388 B1	4/2002	Lacroix
D491,853 S	6/2004	Sato et al.
D494,906 S	8/2004	Pfeiffer

(Continued)

OTHER PUBLICATIONS

Pro-Touring.com Forum Posted by User name Rob Ruthless on Jun. 23, 2015 <http://www.pro-touring.com/threads/115941-Restomod-Air-Releases-Quantum-Vents> 5 Pages.*

Primary Examiner — T Chase Nelson

Assistant Examiner — Ania Aman

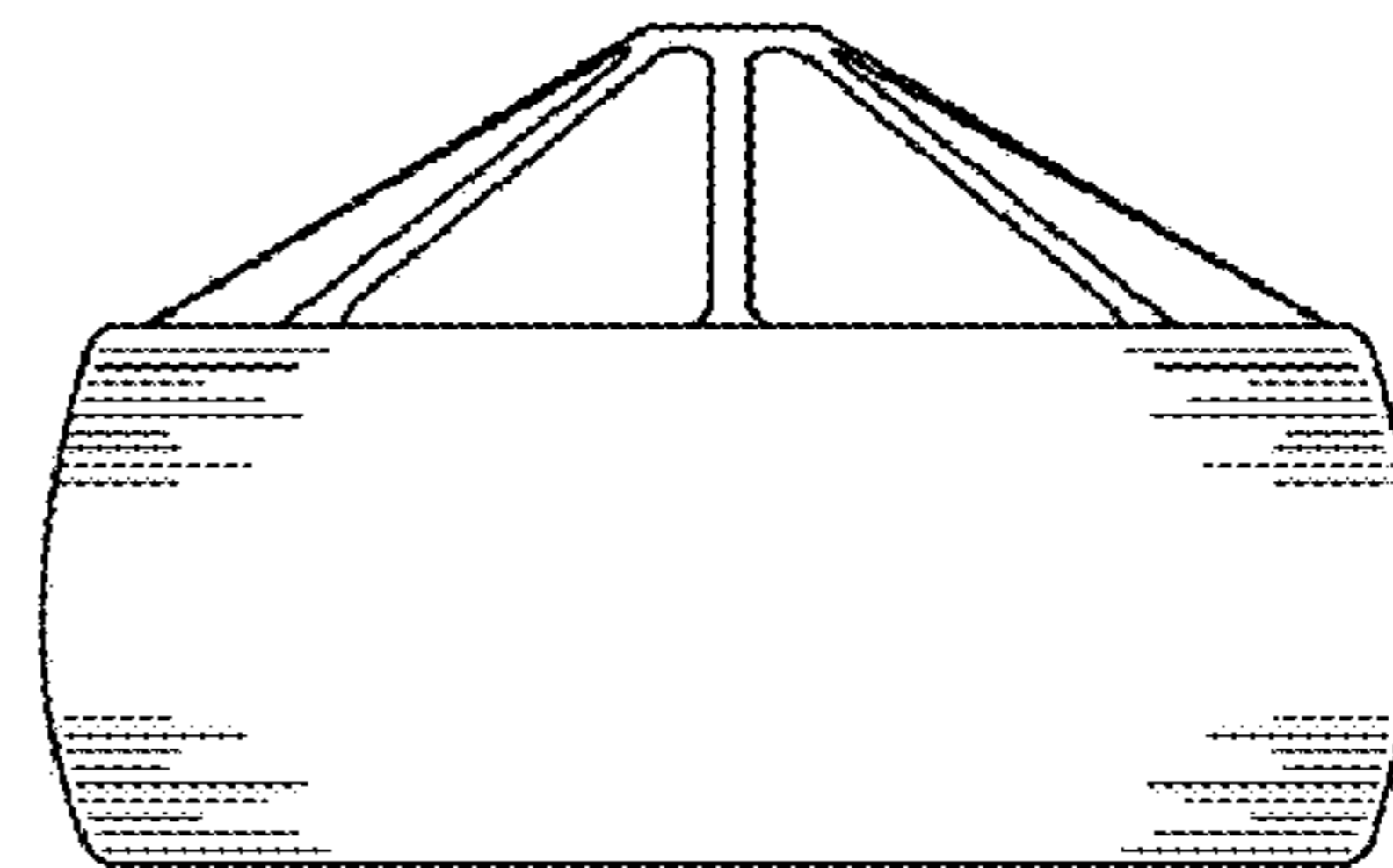
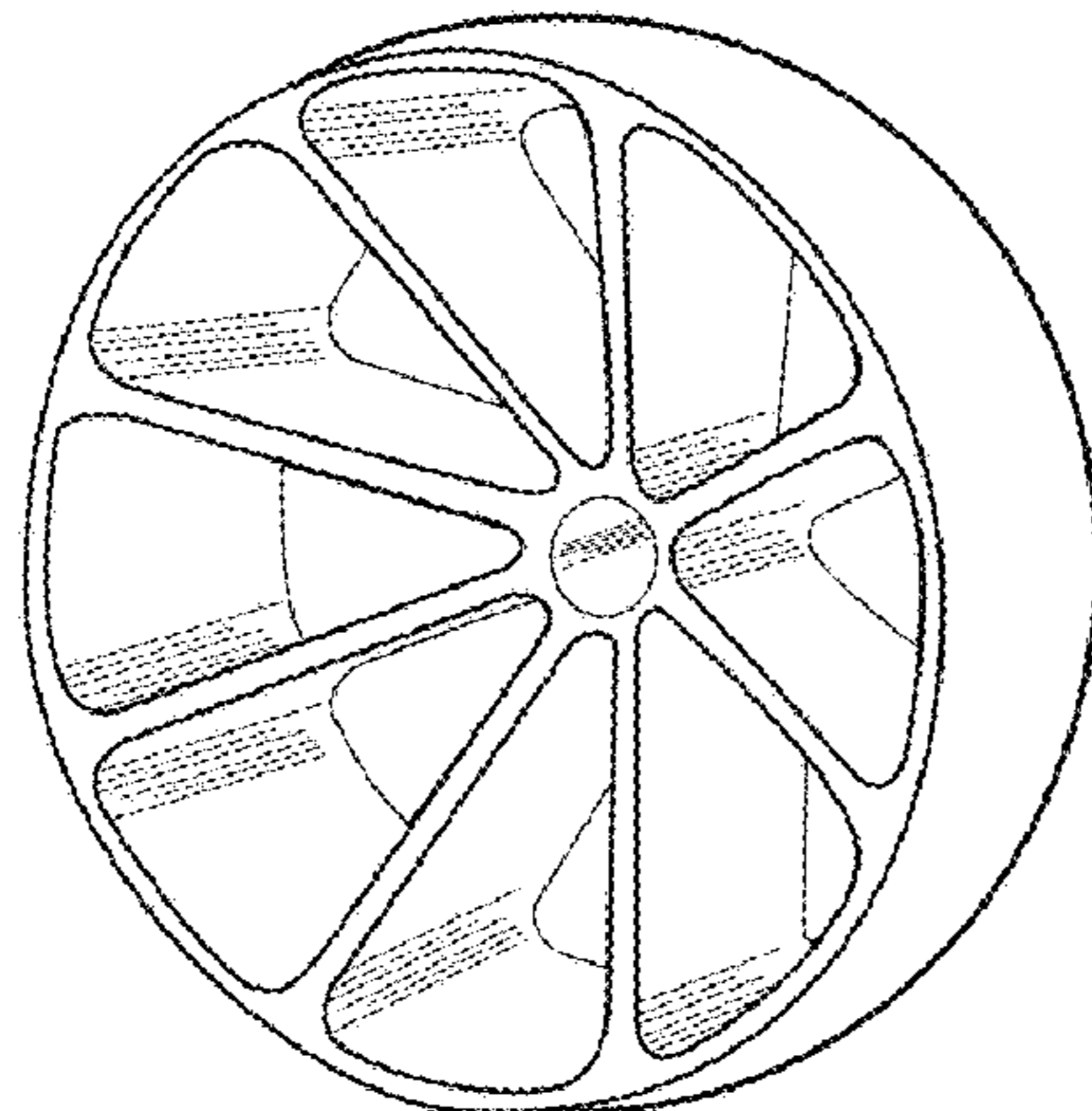
(57) **CLAIM**

The ornamental design for an accessory for vehicle heating and air conditioning systems, as shown and described.

DESCRIPTION

FIG. 1 is a perspective front view of an accessory for vehicle heating and air conditioning systems showing our new design;
FIG. 2 is a top plan view of the accessory for vehicle heating and air conditioning systems of FIG. 1;
FIG. 3 is a front elevation view of the accessory for vehicle heating and air conditioning systems of FIG. 1;
FIG. 4 is a right side elevation view of the accessory for vehicle heating and air conditioning systems of FIG. 1;
FIG. 5 is a left side elevation view of the accessory for vehicle heating and air conditioning systems of FIG. 1;
FIG. 6 is a bottom plan view of the accessory for vehicle heating and air conditioning systems of FIG. 1; and,
FIG. 7 is a rear elevation view of the accessory for vehicle heating and air conditioning systems of FIG. 1.

1 Claim, 2 Drawing Sheets



(56)

References Cited

U.S. PATENT DOCUMENTS

D496,896 S	10/2004	Tahira et al.	D723,144 S	2/2015	Rejkowski et al.
D506,819 S	6/2005	Stobart	D723,145 S	2/2015	Rejkowski et al.
D514,968 S	2/2006	Tahira et al.	8,974,273 B2 *	3/2015	Uhlenbusch B60H 1/3442 454/152
7,040,104 B2	5/2006	Bogner et al.	D755,099 S *	5/2016	Suzuki D12/192
D528,485 S	9/2006	Montijo et al.	9,605,866 B2 *	3/2017	Rais F24F 13/065
D535,732 S	1/2007	Klopp, III	9,902,237 B2 *	2/2018	Sano B60H 1/3442
D537,520 S	2/2007	Nishizawa	2006/0092129 A1	5/2006	Choquet et al.
D577,641 S	9/2008	Wyszogrod et al.	2006/0175422 A1	8/2006	Hall
D641,673 S	7/2011	Zimmermann et al.	2014/0342657 A1 *	11/2014	Rais F24F 13/065 454/358
D648,662 S *	11/2011	Stephenson D12/192	2015/0124471 A1 *	5/2015	Garcez da Silva B60Q 3/76 362/520
8,057,288 B2	11/2011	Konet	2015/0210397 A1 *	7/2015	Blom B64D 13/00 454/76
D674,884 S	1/2013	Rejkowski et al.	2016/0031293 A1 *	2/2016	Brinas B60H 1/34 454/152
D674,885 S	1/2013	Rejkowski et al.	2017/0036508 A1 *	2/2017	Terasawa B60H 1/3442
D680,204 S	4/2013	Rejkowski et al.	2017/0190241 A1 *	7/2017	Chung B60K 37/04
D686,307 S	7/2013	Rejkowski et al.			
D695,882 S	12/2013	Rejkowski et al.			
8,740,677 B2	6/2014	Steinbeiss et al.			
8,834,241 B2	9/2014	Uhlenbusch			

* cited by examiner

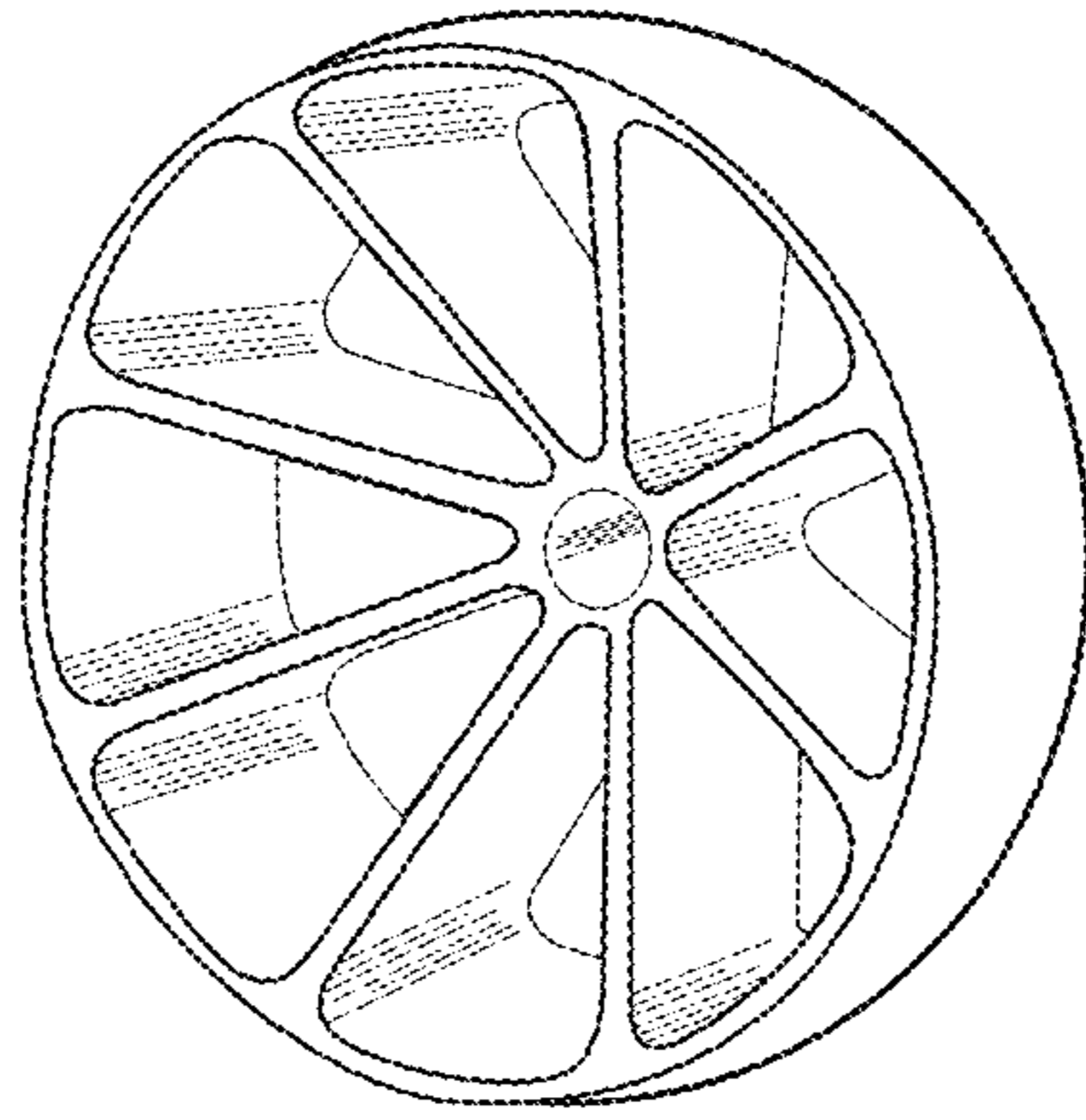


Fig.1

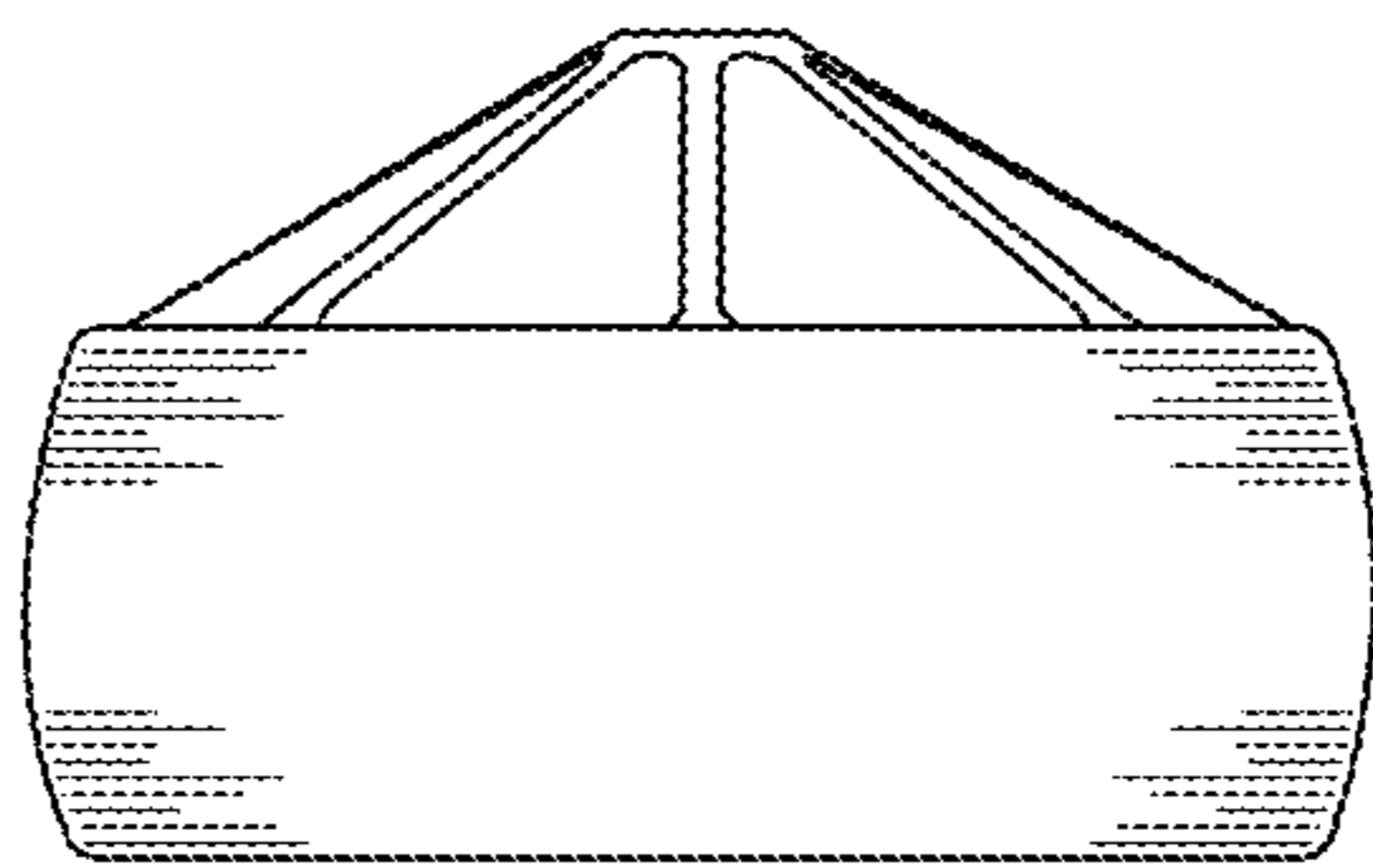


Fig.2

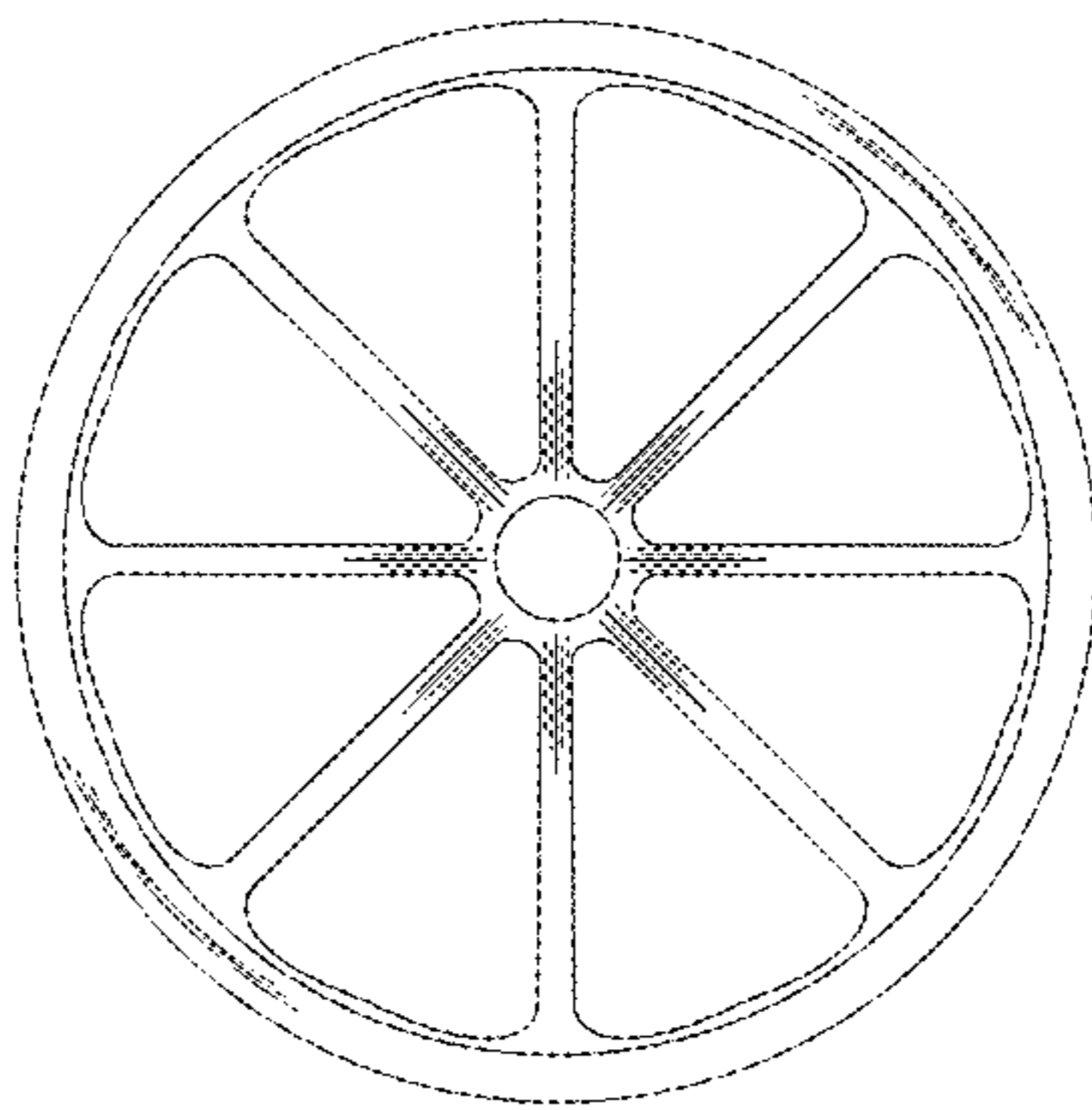


Fig.3

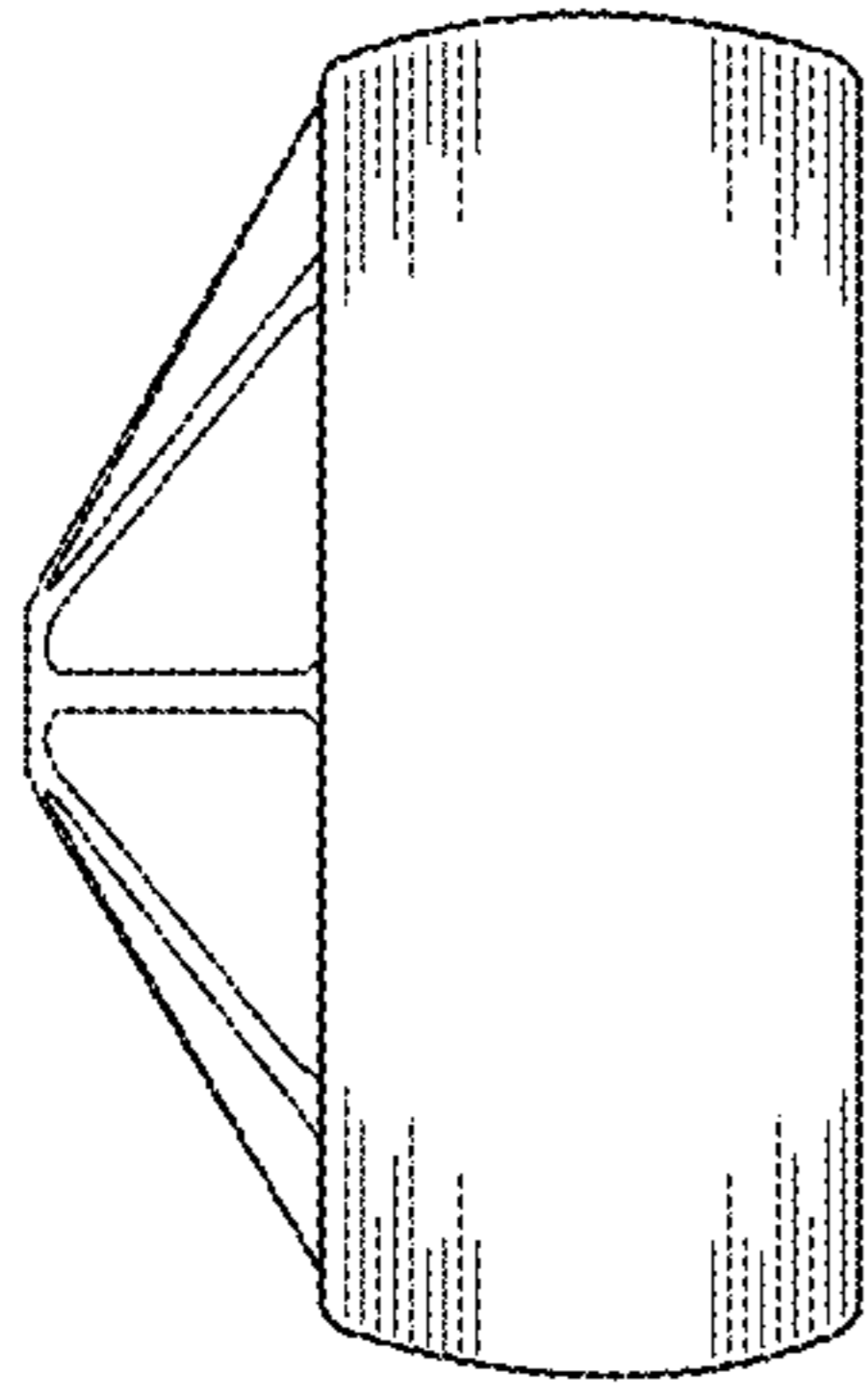


Fig.4

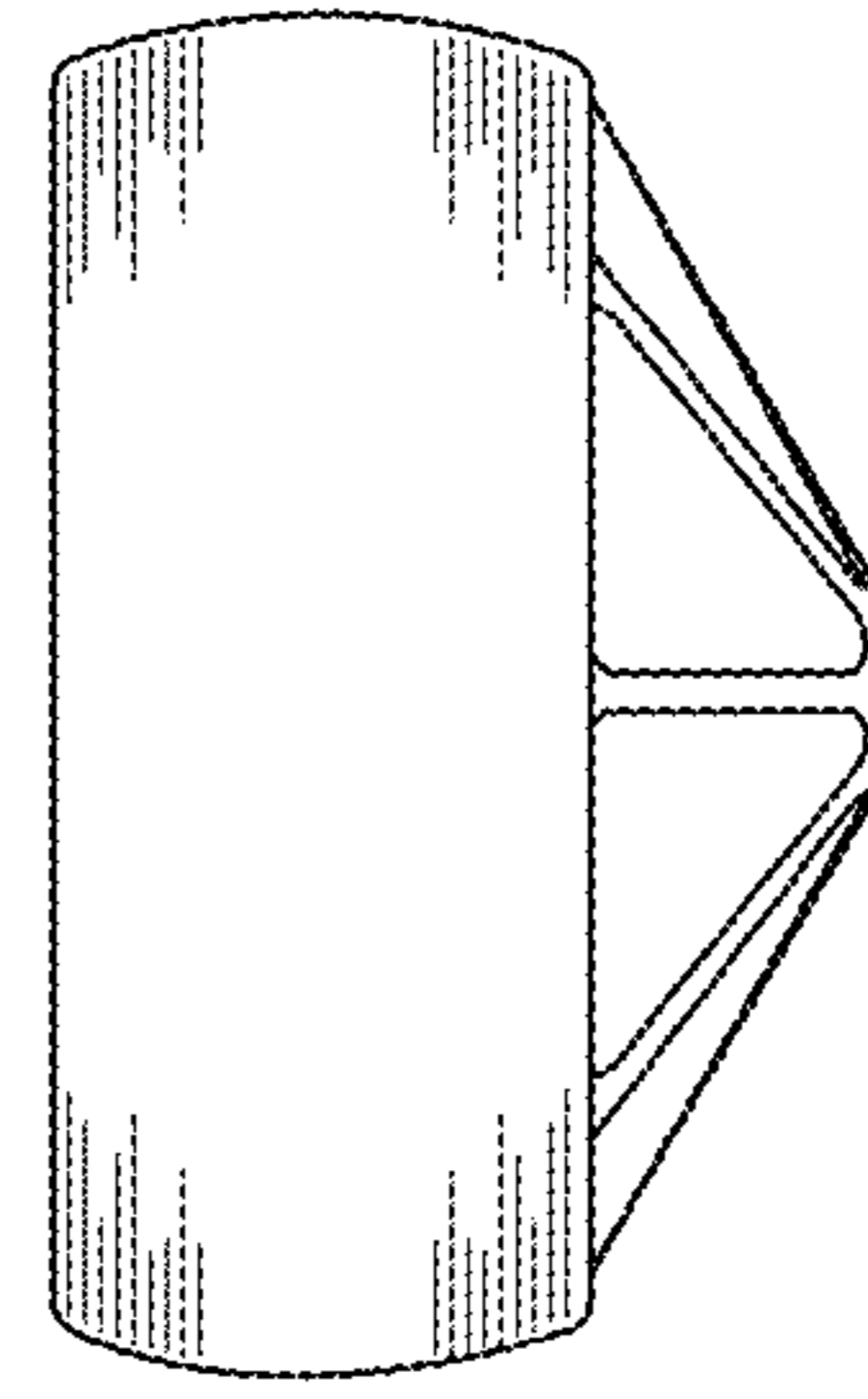


Fig.5

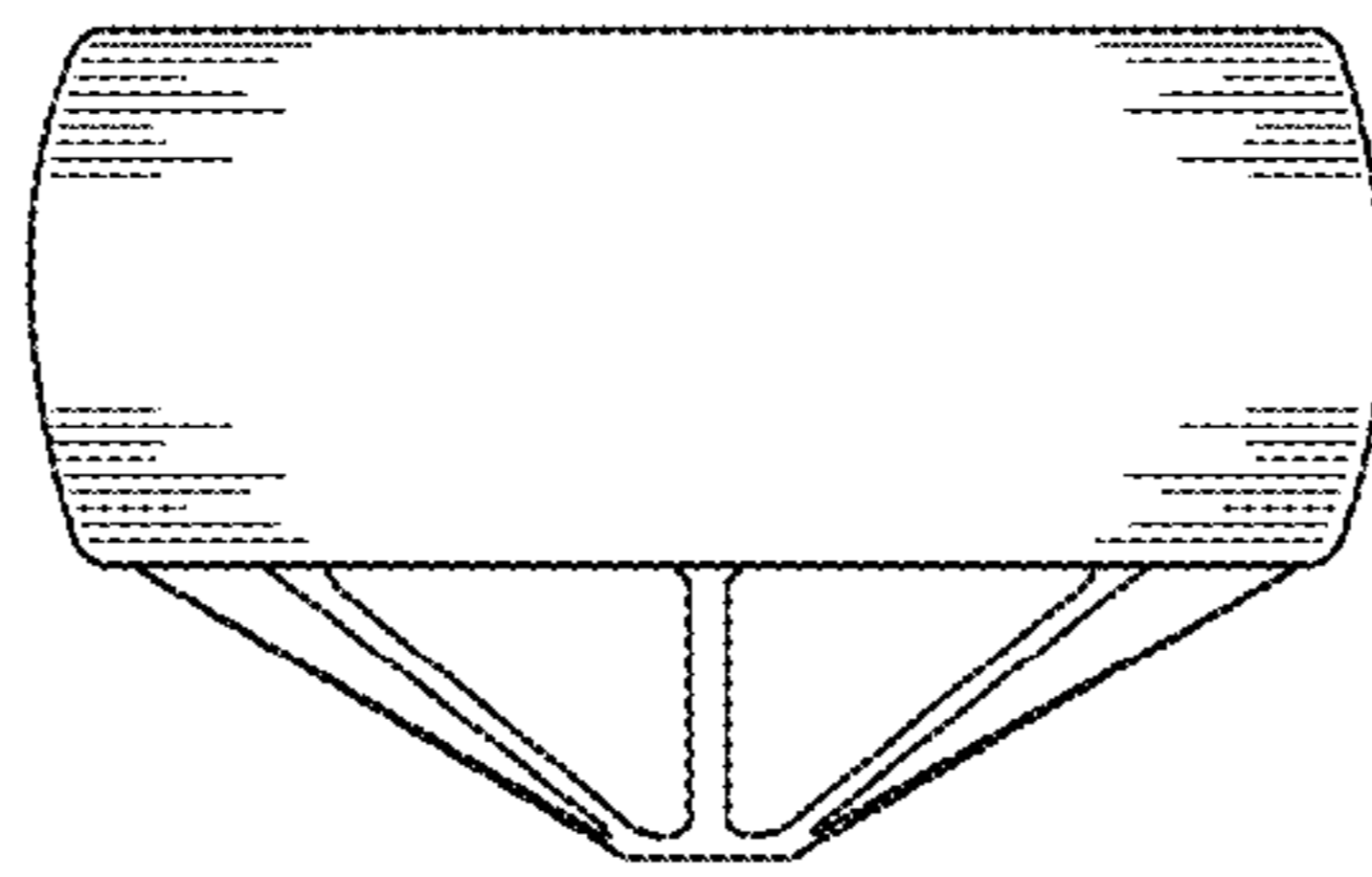


Fig.6

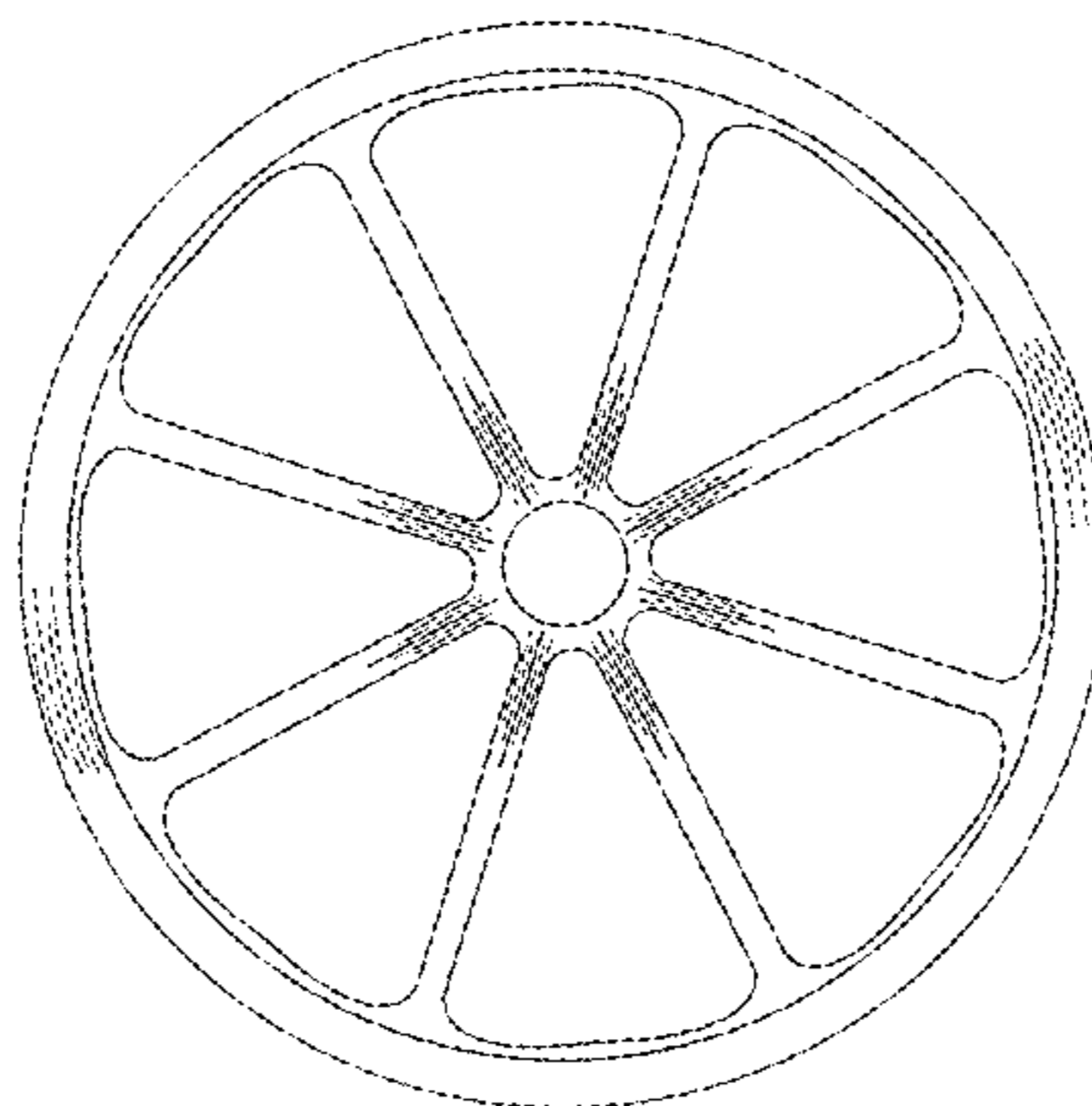


Fig.7